



US00D915009S

(12) **United States Design Patent** (10) **Patent No.:** **US D915,009 S**
Yoon et al. (45) **Date of Patent:** **** Mar. 30, 2021**

(54) **CLOTHING CARE MACHINE**

FOREIGN PATENT DOCUMENTS

(71) Applicant: **Samsung Electronics Co., Ltd.**,
Suwon-si (KR)

KR 30-2009-0005371 4/2010
KR 30-2013-0046968 6/2014
KR 30-2015-0047369 2/2016

(72) Inventors: **Hyunwoo Yoon**, Seongnam-si (KR);
Sanghun Yoon, Seoul (KR); **Jinsook Park**,
Uiwang-si (KR); **Sodam Park**, Seoul (KR);
Kangkyung Lee, Seoul (KR)

OTHER PUBLICATIONS

“The three most popular secrets of ‘LG Trom Styler’” [2017]
www.lgblog.co.kr Jul. 18, 2017 <www.lgblog.co.kr/lg-story/lg-
product/92800>.

(Continued)

(73) Assignee: **Samsung Electronics Co., Ltd.**,
Suwon-si (KR)

Primary Examiner — Michelle E. Wilson

(**) Term: **15 Years**

(74) *Attorney, Agent, or Firm* — NSIP Law

(21) Appl. No.: **29/680,221**

(57) **CLAIM**

We claim the ornamental design for a clothing care machine,
as shown and described.

(22) Filed: **Feb. 14, 2019**

DESCRIPTION

(30) **Foreign Application Priority Data**

Aug. 16, 2018 (KR) 30-2018-0038060

(51) **LOC (13) Cl.** **15-05**

(52) **U.S. Cl.**
USPC **D32/6**

(58) **Field of Classification Search**
USPC D32/1-3, 5-6, 10, 25
CPC D06F 58/20; D06F 73/02; D06F 58/10;
D06F 58/12; D06F 58/203
See application file for complete search history.

FIG. 1 is a front perspective view of a clothing care machine
showing our new design;
FIG. 2 is a front view thereof;
FIG. 3 is a rear view thereof;
FIG. 4 is a left-side view thereof;
FIG. 5 is a right-side view thereof;
FIG. 6 is a top view thereof;
FIG. 7 is a bottom view thereof;
FIG. 8 is a bottom perspective view thereof;
FIG. 9 is an enlarged right-side cross-sectional view of the
encircled portion in FIG. 5 taken through line 9-9 of FIG. 2;
and,
FIG. 10 is an enlarged view of the encircled portion in FIG.
8.

(56) **References Cited**

U.S. PATENT DOCUMENTS

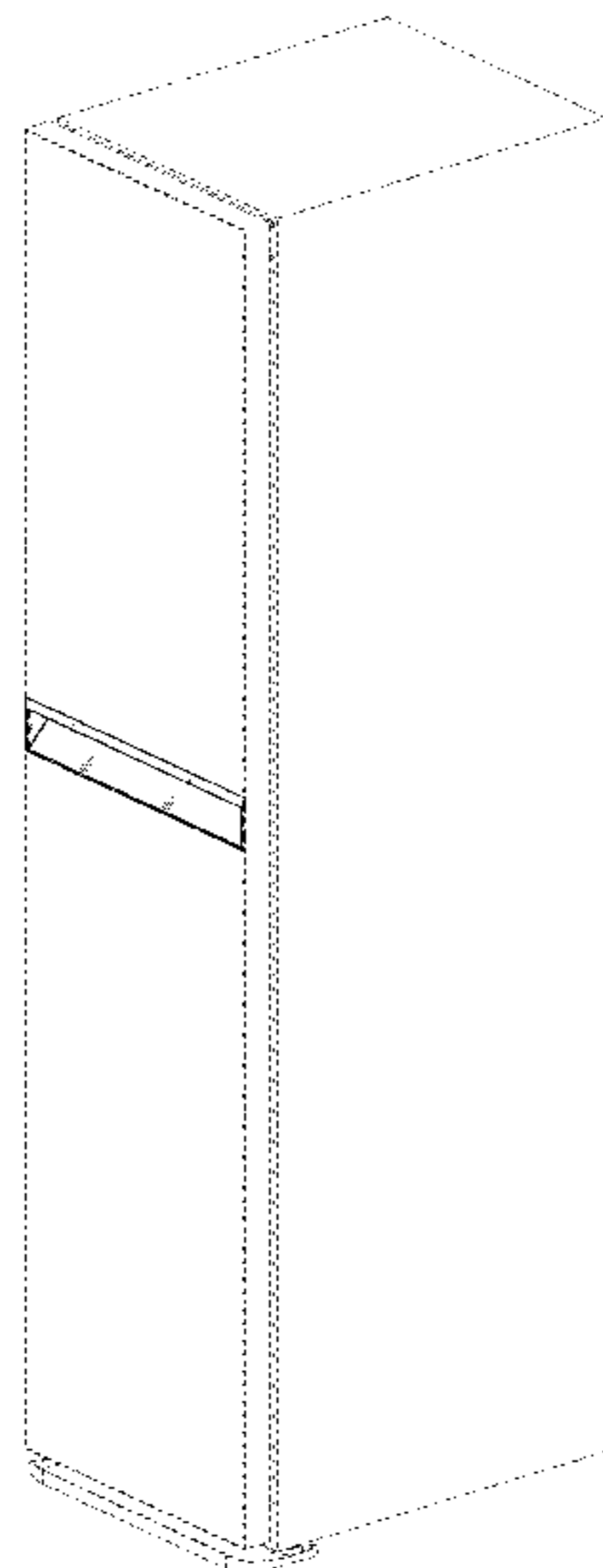
D197,085 S * 12/1963 Bequette D32/8
D532,563 S * 11/2006 Kim D32/6
D640,430 S * 6/2011 Jee D32/6
D643,165 S * 8/2011 Song D32/8
8,037,626 B2 * 10/2011 Moon D06F 58/10
38/14

The dash-dash broken lines in the figures depict portions of
the clothing care machine which form no part of the claimed
design.

The dot-dot-dash broken lines encircling portions of the
claimed design that are illustrated in enlargements form no
part of the claimed design.

(Continued)

1 Claim, 10 Drawing Sheets



(56)

References Cited

U.S. PATENT DOCUMENTS

D663,495 S * 7/2012 Song D32/8
8,215,133 B2 * 7/2012 Kim D06F 58/203
68/5 C
8,424,141 B2 * 4/2013 Yoo D06F 58/203
8/149.3
8,484,868 B2 * 7/2013 Kim D06F 58/12
38/14
8,505,340 B2 * 8/2013 Kim D06F 58/10
68/5 C
D732,769 S * 6/2015 Chung D32/25
D732,770 S * 6/2015 Choi D32/25
D732,771 S * 6/2015 Chung D32/25
D732,772 S * 6/2015 Chung D32/25
D732,773 S * 6/2015 Chung D32/25
D732,774 S * 6/2015 Chung D32/25
D732,775 S * 6/2015 Chung D32/25
D743,127 S * 11/2015 Chung D32/25
D743,128 S * 11/2015 Chung D32/25
D743,129 S * 11/2015 Chung D32/25
D743,130 S * 11/2015 Choi D32/25

D743,652 S * 11/2015 Chung D32/25
D743,653 S * 11/2015 Chung D32/25
D743,654 S * 11/2015 Chung D32/25
D824,124 S * 7/2018 Lee D32/6
D827,236 S * 8/2018 Chung D32/25
D828,656 S * 9/2018 Chung D32/6
D836,271 S * 12/2018 Chung D32/6
D839,515 S * 1/2019 Chung D32/25
D897,058 S * 9/2020 Kim D32/6
2001/0037590 A1 * 11/2001 MacGregor D06F 73/02
38/3
2008/0136295 A1 * 6/2008 Aizpuru Borda D06F 58/10
312/31
2010/0058813 A1 * 3/2010 Moon D06F 73/02
68/6
2012/0240425 A1 * 9/2012 Park D06F 58/20
34/202

OTHER PUBLICATIONS

Brogue. "V-ZUG Refresh Butler" [2016] www.getbrogue.com Feb. 14, 2019 <<https://www.getbrogue.com/v-zug-refresh-butler/>>.

* cited by examiner

FIG. 1

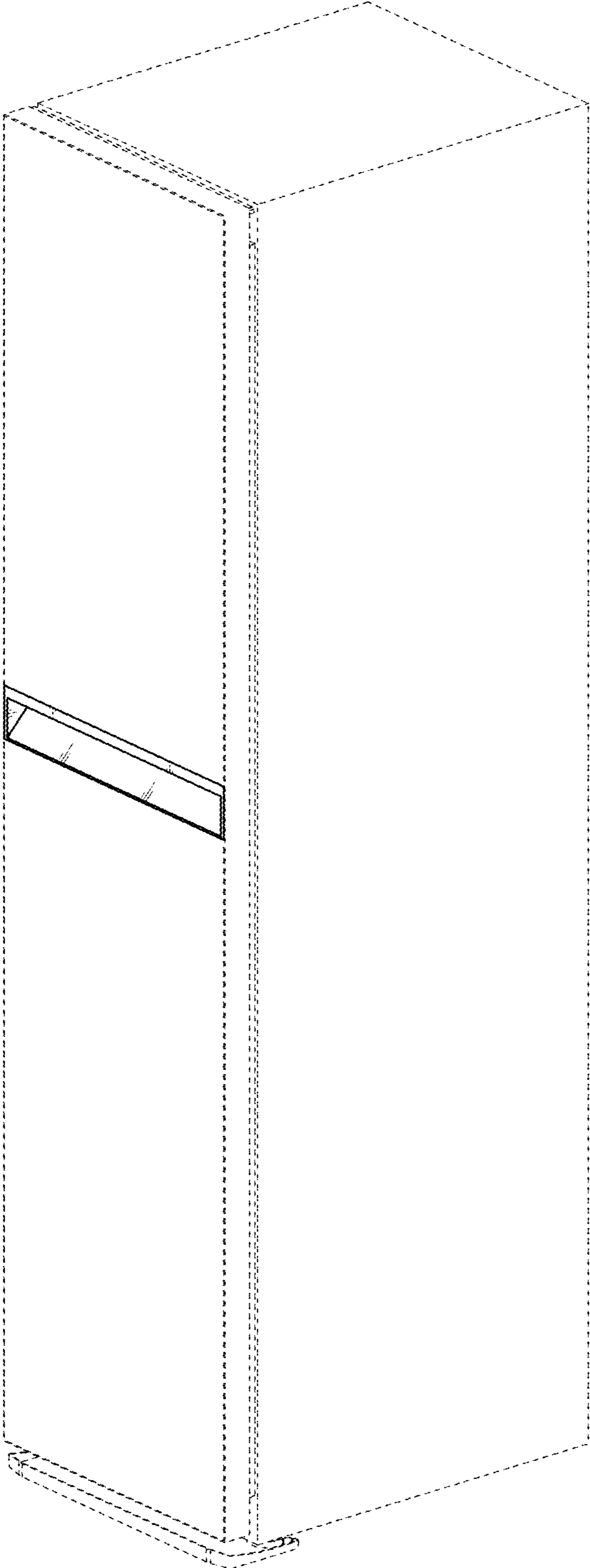


FIG. 2

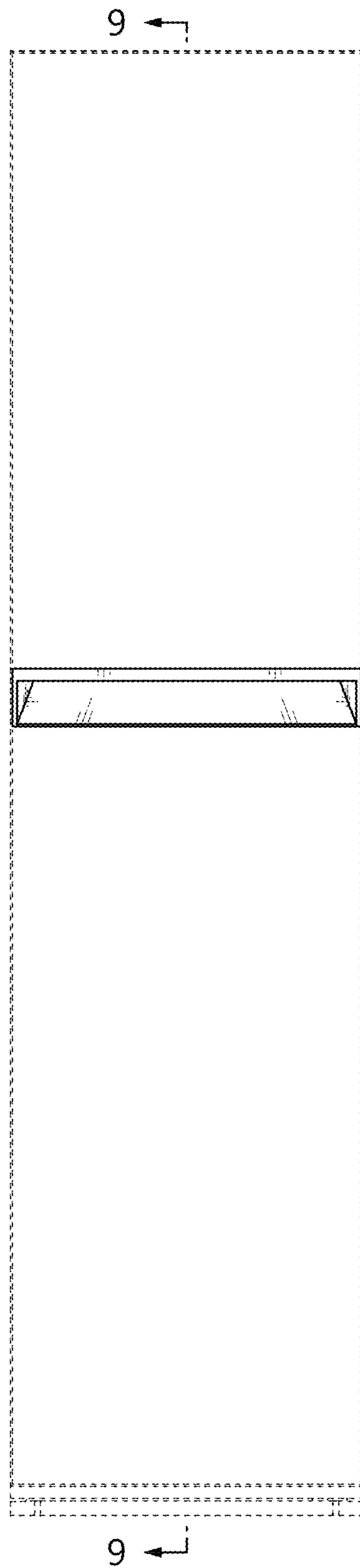


FIG. 3

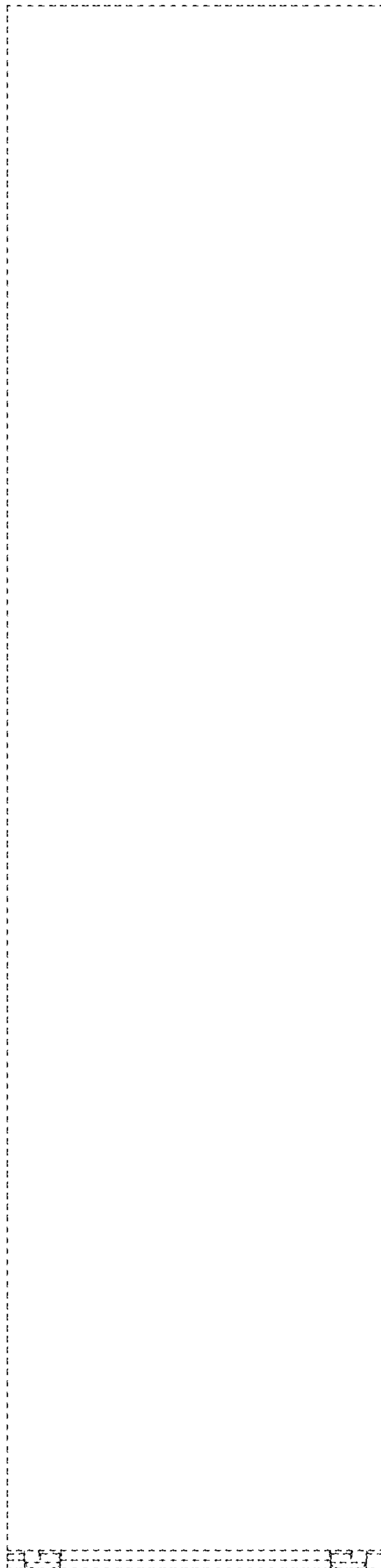


FIG. 4

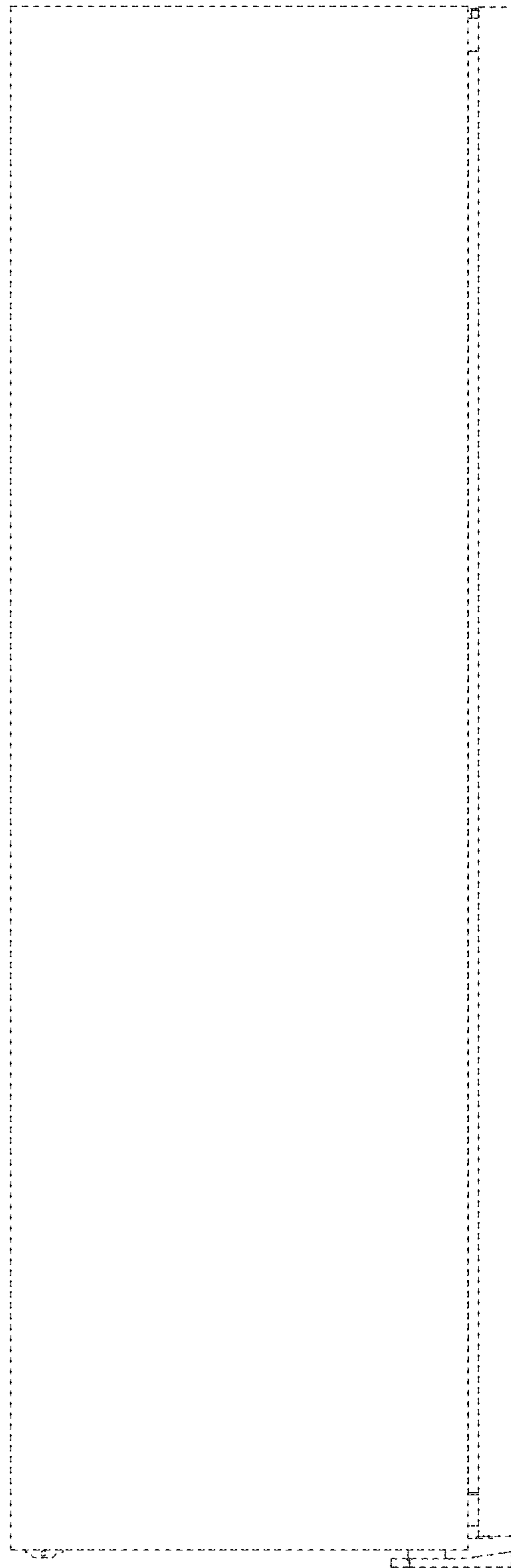


FIG. 5

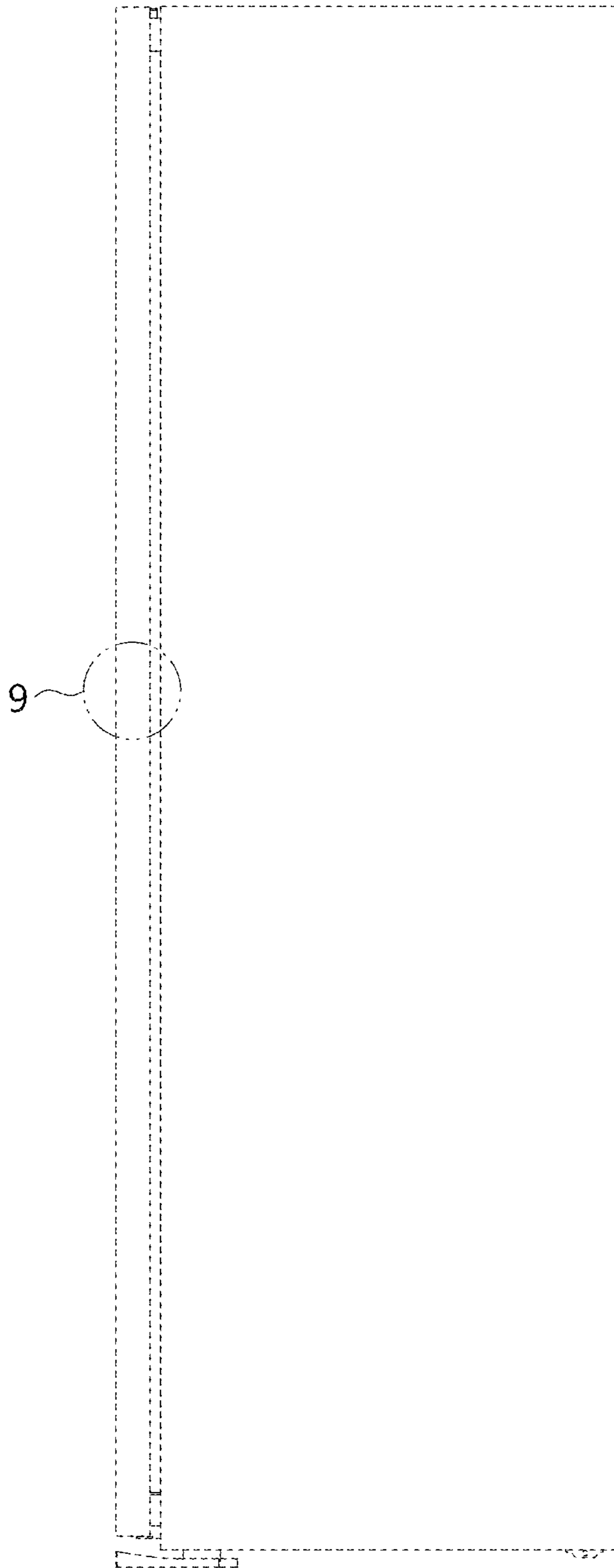


FIG. 6

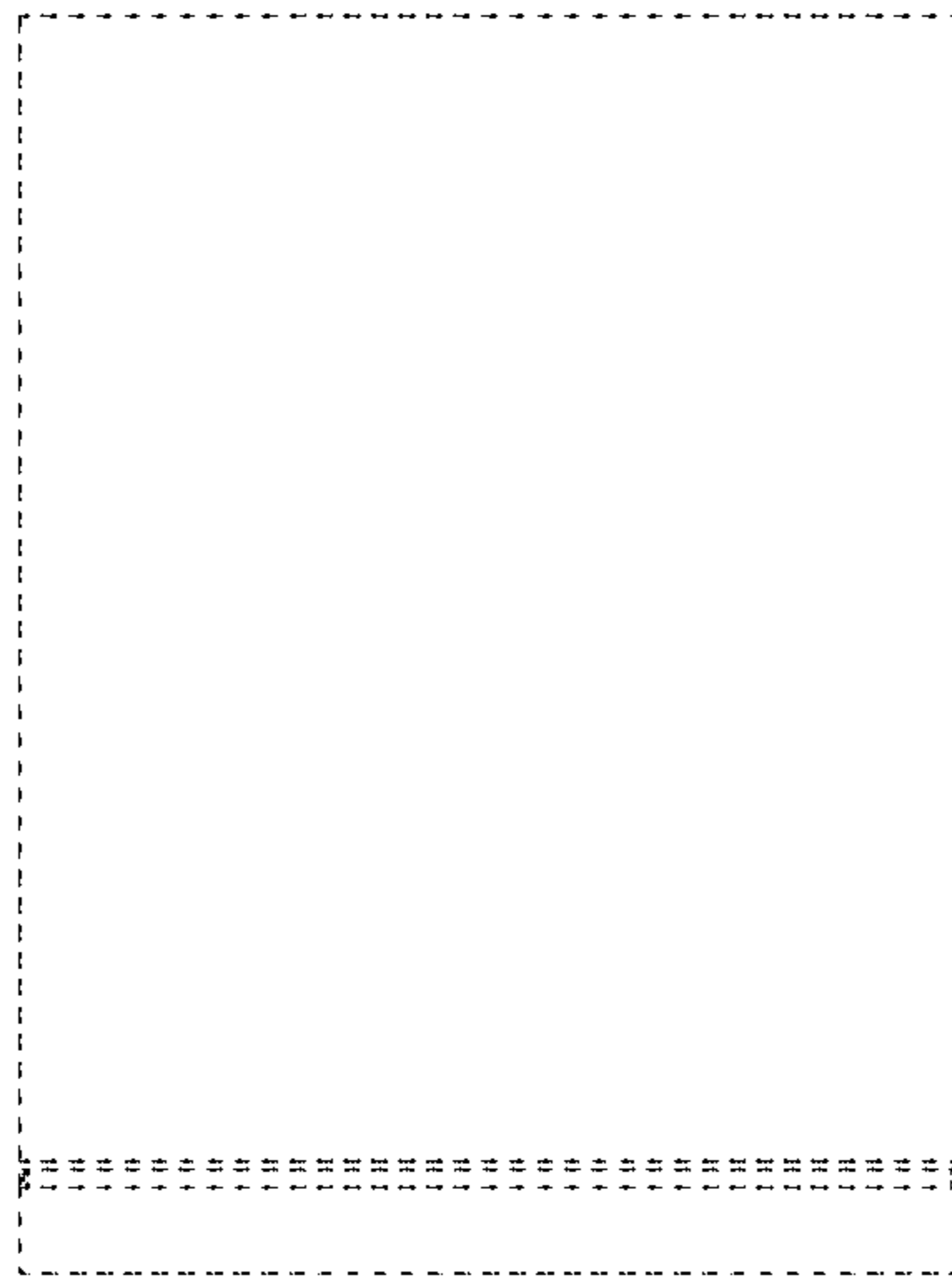


FIG. 7

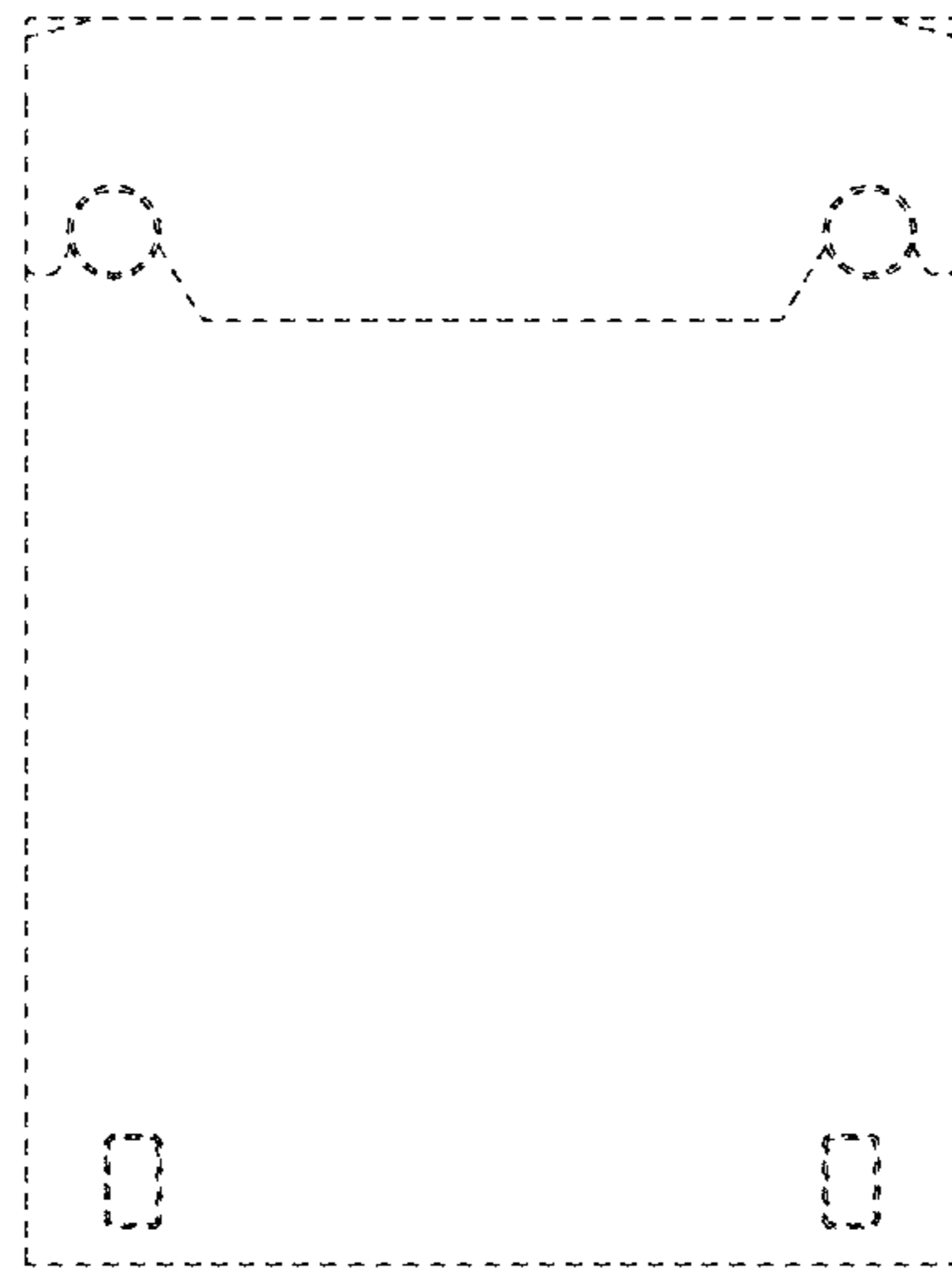


FIG. 8

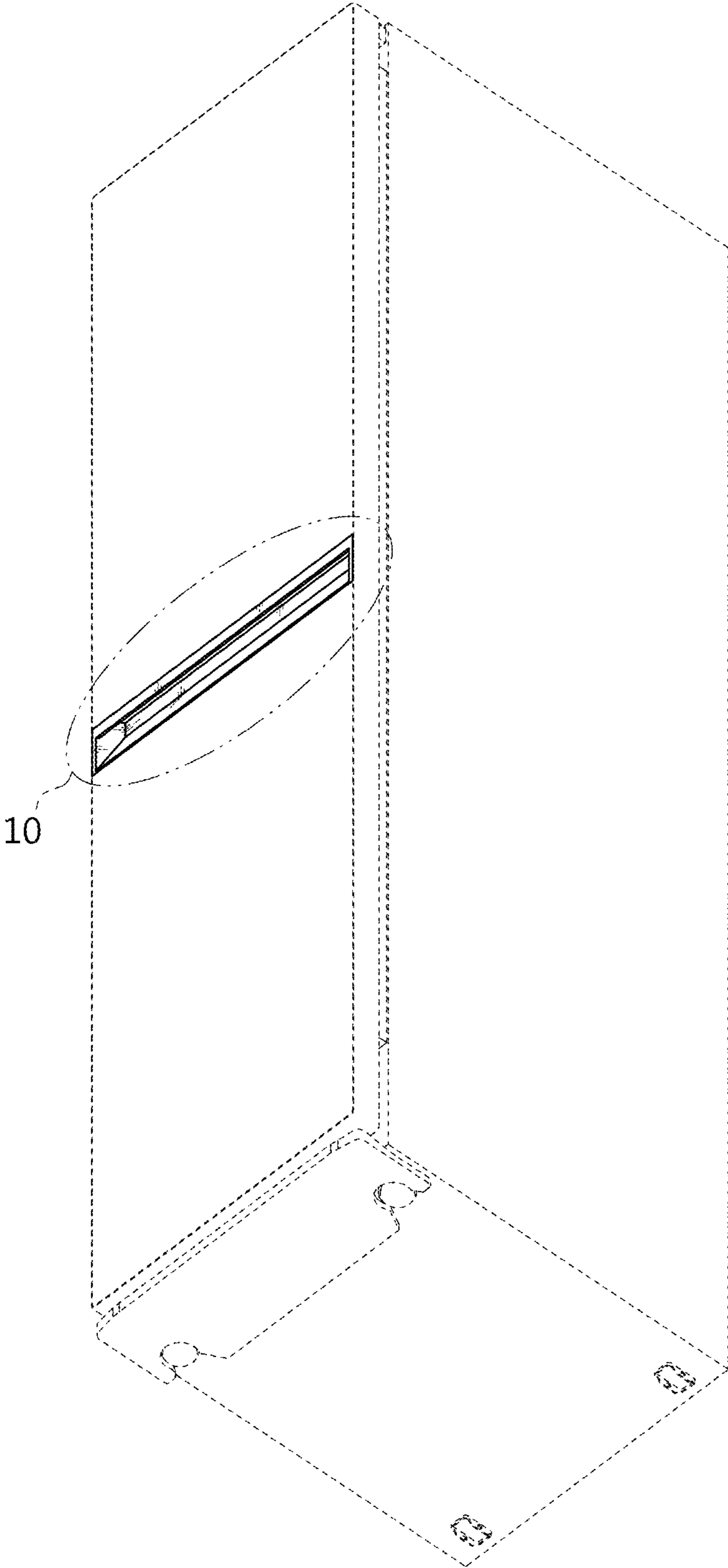


FIG. 9

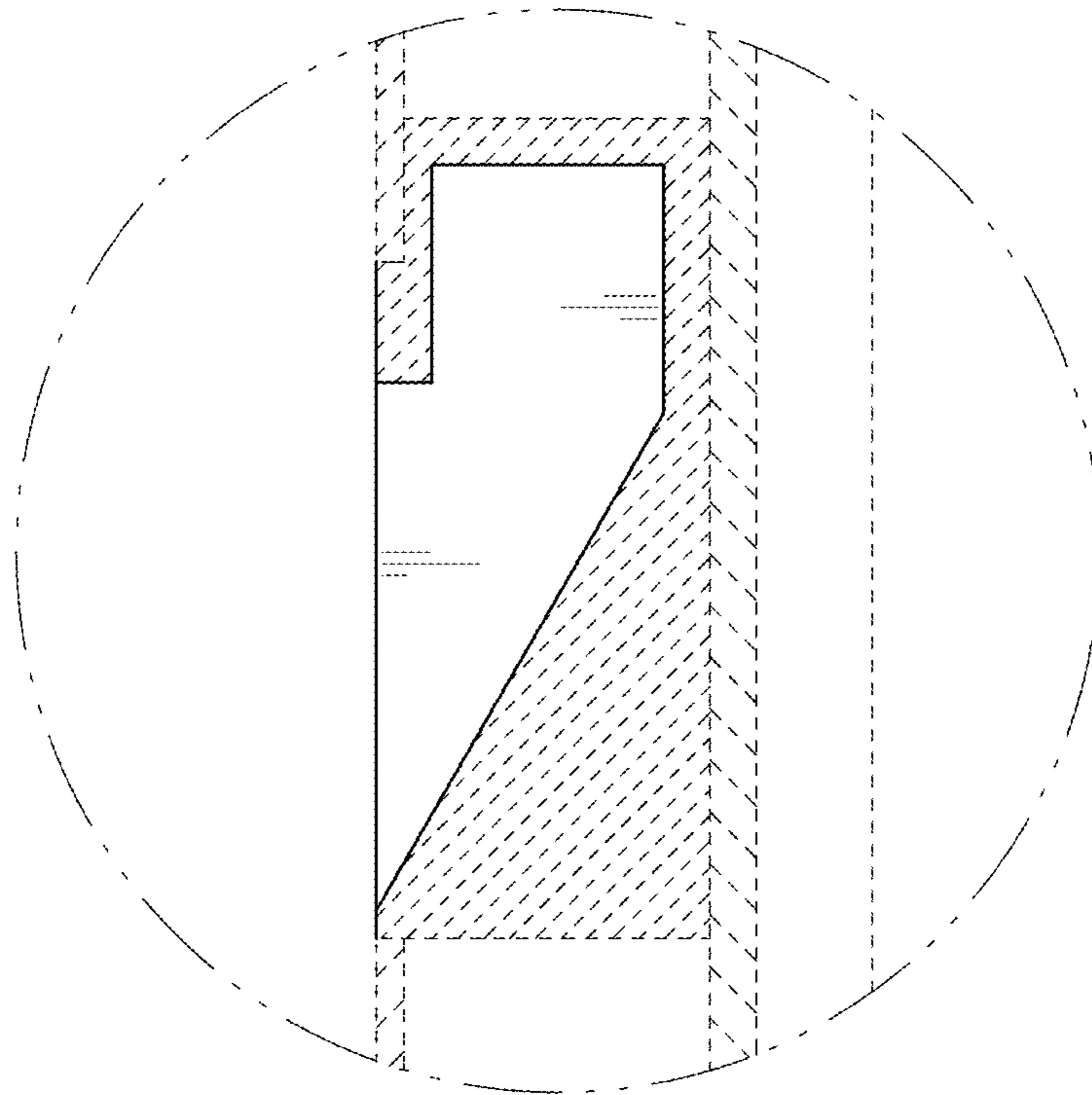


FIG. 10

