



US00D915007S

(12) **United States Design Patent** (10) **Patent No.:** **US D915,007 S**
Chen (45) **Date of Patent:** **** Mar. 30, 2021**

(54) **PET TOY**
(71) Applicant: **Qiu Chen**, Shantou (CN)
(72) Inventor: **Qiu Chen**, Shantou (CN)
(**) Term: **15 Years**
(21) Appl. No.: **29/745,934**
(22) Filed: **Aug. 11, 2020**

D689,155 S * 9/2013 Jahns D21/692
D689,654 S * 9/2013 Oblack D30/160
D712,029 S * 8/2014 Tai D24/141
D803,722 S * 11/2017 Ying D12/1
D805,429 S * 12/2017 Cao D12/1
D808,856 S * 1/2018 Zhang D12/1
D811,020 S * 2/2018 Wills D30/160
D817,811 S * 5/2018 Wang D12/1
D821,041 S * 6/2018 Buessler D30/160
D822,918 S * 7/2018 Woods D30/160
D827,847 S * 9/2018 Downare D24/211
D842,167 S * 3/2019 Ying D12/1

(Continued)

(30) **Foreign Application Priority Data**

Jun. 12, 2020 (CN) 202030298750.8
(51) **LOC (13) Cl.** **30-99**
(52) **U.S. Cl.**
USPC **D30/160**
(58) **Field of Classification Search**
USPC D30/121, 160; D24/211-215, 155;
D21/662, 681, 682, 712, 763, 764, 765,
D21/779; 482/108; 119/702, 706-712;
D15/14, 199; 180/6.5
CPC A01K 15/025; A01K 15/026;
A63B 23/1236; A63B 21/075; A61H
15/00; A61H 15/0092; A61H 11/00;
B62K 11/007; A61G 5/04
See application file for complete search history.

OTHER PUBLICATIONS

“Magkay Interactive Cat Toy” posted Dec. 22, 2020 [online], [Retrieved Jan. 26, 2021], Retrieved from internet:https://www.amazon.com/Magkay-Interactive-Charging-Colorful-Electronic/product-reviews/B08LPQB96Q/ref=cm_cr_getr_d_paging_btm_next_2?ie=UTF8&reviewerType=all_reviews&pageNumber=2&sortBy=recent.*

Primary Examiner — Sandra Snapp
Assistant Examiner — Mehri Bajoul
(74) *Attorney, Agent, or Firm* — ZAN IP

(57) **CLAIM**

The ornamental design for a pet toy, as shown and described.

DESCRIPTION

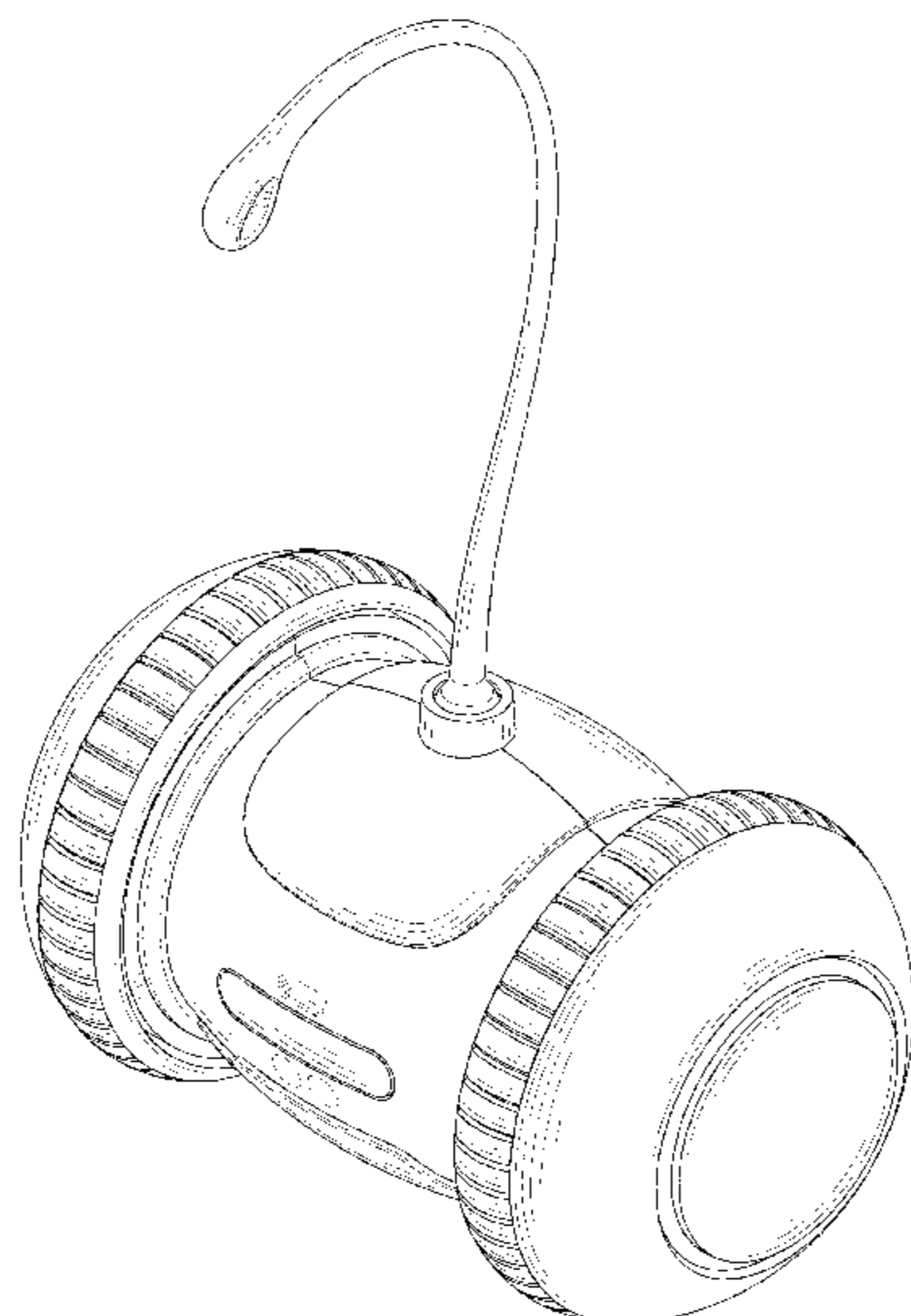
FIG. 1 is a front and top perspective view of a pet toy, showing my new design;
FIG. 2 is a rear and bottom perspective view thereof;
FIG. 3 is a front elevational view thereof;
FIG. 4 is a rear elevational view thereof;
FIG. 5 is a left side elevational view thereof;
FIG. 6 is a right side elevational view thereof;
FIG. 7 is a top plan view thereof; and,
FIG. 8 is a bottom plan view thereof.
The broken lines in in the figures illustrate portions of the pet toy that form no part of the claimed design.

(56) **References Cited**

U.S. PATENT DOCUMENTS

D224,946 S * 10/1972 Ramel D24/211
5,865,146 A * 2/1999 Markham A01K 15/026
119/707
D478,947 S * 8/2003 Lu D21/662
D509,871 S * 9/2005 Lee D21/765
D517,633 S * 3/2006 Chen D21/563
D525,397 S * 7/2006 Wang A01K 15/025
D21/681
D626,706 S * 11/2010 Ragonetti D30/160
D628,661 S * 12/2010 Januszek D21/681
D675,736 S * 2/2013 Garza-Vale D24/155
D687,159 S * 7/2013 Cho D24/215

1 Claim, 8 Drawing Sheets



(56)

References Cited

U.S. PATENT DOCUMENTS

D854,447 S * 7/2019 Ying D12/1
D857,129 S * 8/2019 Lim D21/662
D871,965 S * 1/2020 Cao D12/1
D872,384 S 1/2020 Crane
D876,032 S * 2/2020 Baker D30/160
D879,887 S * 3/2020 Loftin, III D21/662
D890,024 S * 7/2020 Schnapp D12/1
D892,879 S * 8/2020 Suh D15/199
D897,236 S * 9/2020 Xu D12/1
D904,700 S * 12/2020 Baker D30/160
D906,373 S * 12/2020 Morin D15/14
D906,447 S * 12/2020 Benton D21/681
2005/0045115 A1 * 3/2005 Mann A01K 15/026
119/711
2009/0042700 A1 * 2/2009 Liu A63B 21/075
482/107
2009/0186748 A1 * 7/2009 Golesh A63B 21/0728
482/107
2009/0277395 A1 * 11/2009 Jager A01K 15/025
119/707
2015/0251043 A1 * 9/2015 Holderbaum A63B 23/1236
482/108
2016/0158078 A1 * 6/2016 Kim B62K 11/007
180/6.5
2016/0318581 A1 * 11/2016 Kim B62K 11/007
2017/0088134 A1 * 3/2017 Liu G05D 1/0238
2018/0208263 A1 * 7/2018 Kim B62K 13/00
2019/0046393 A1 * 2/2019 Gagliano A61H 11/00

* cited by examiner

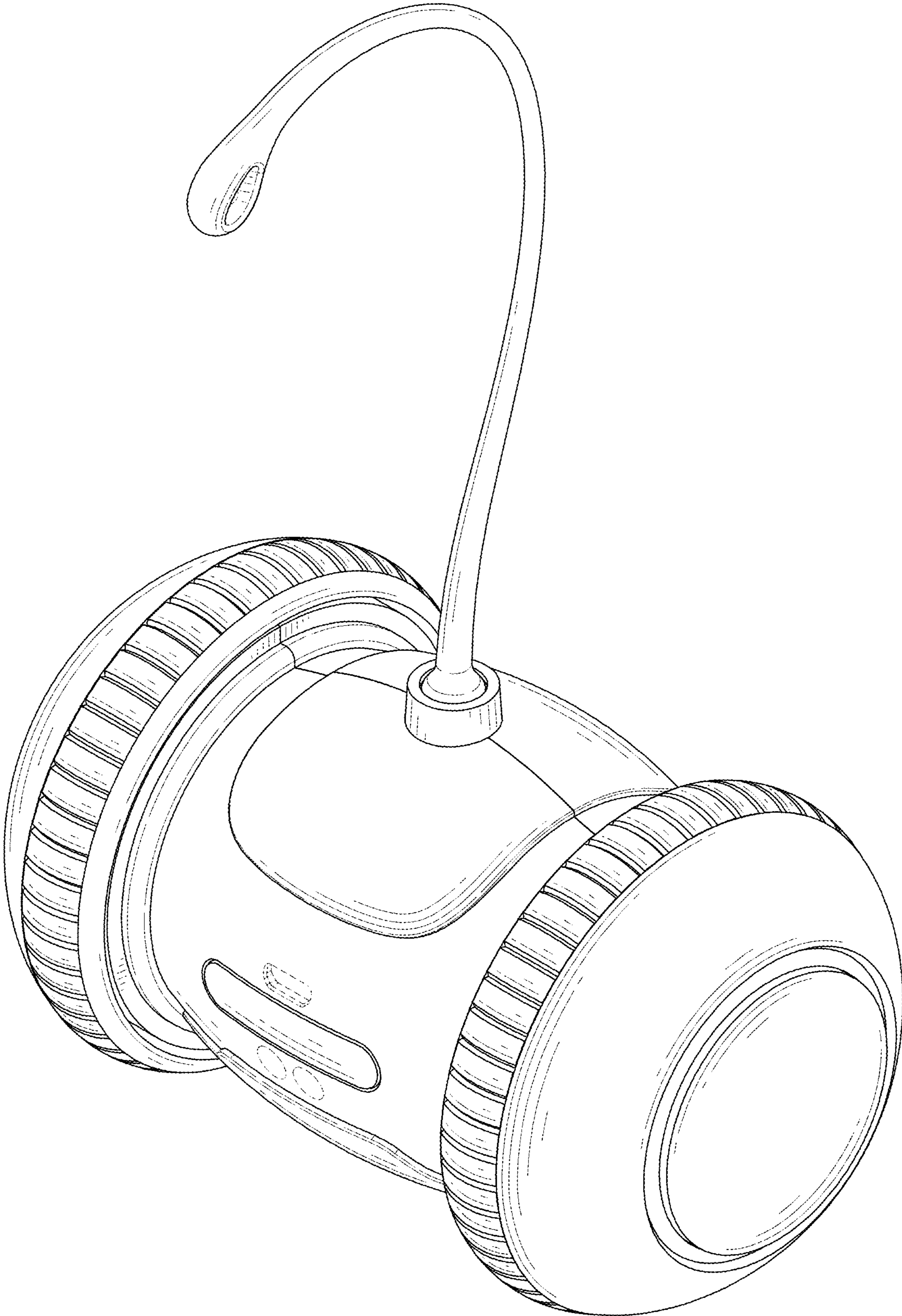


FIG. 1

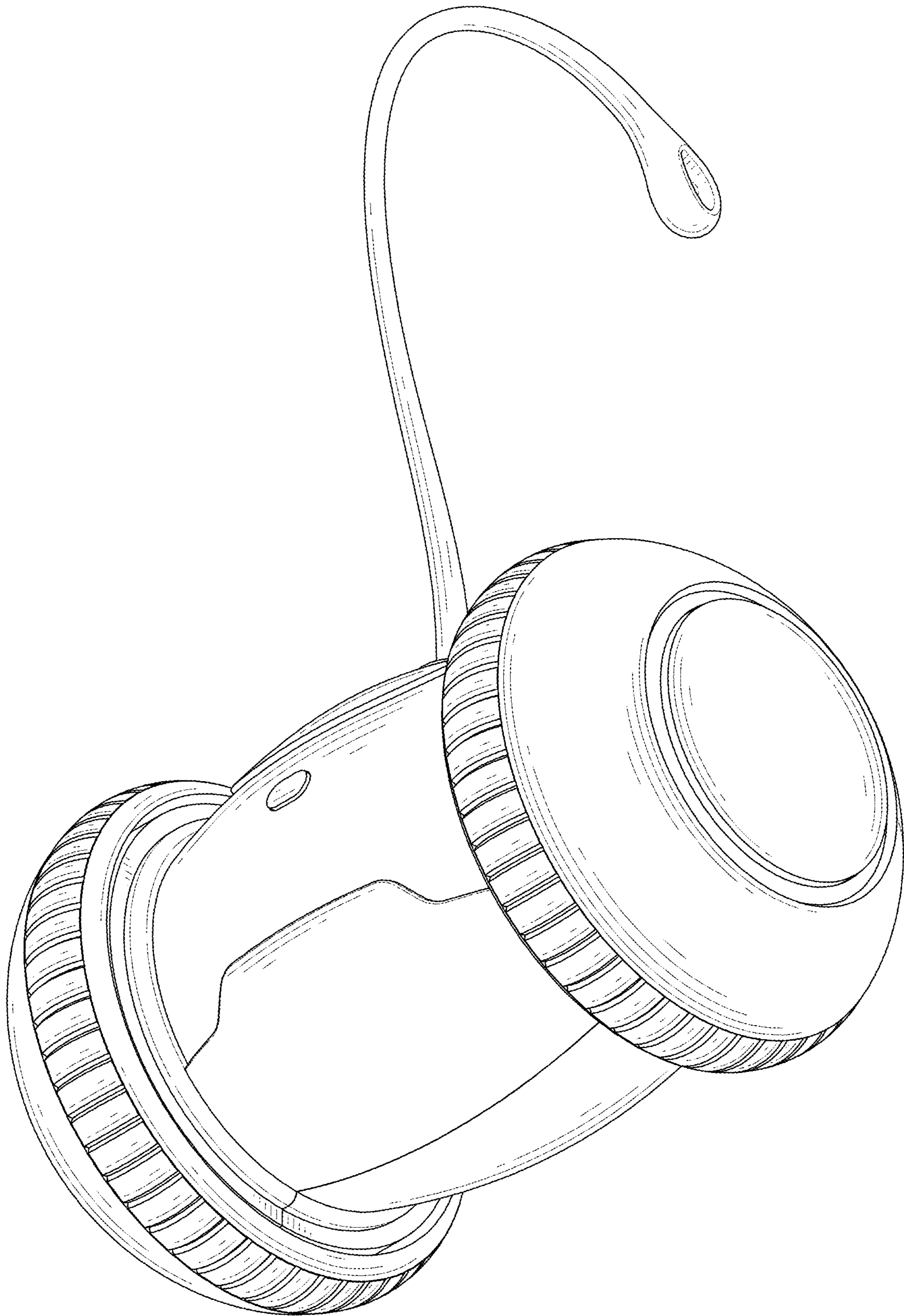


FIG. 2

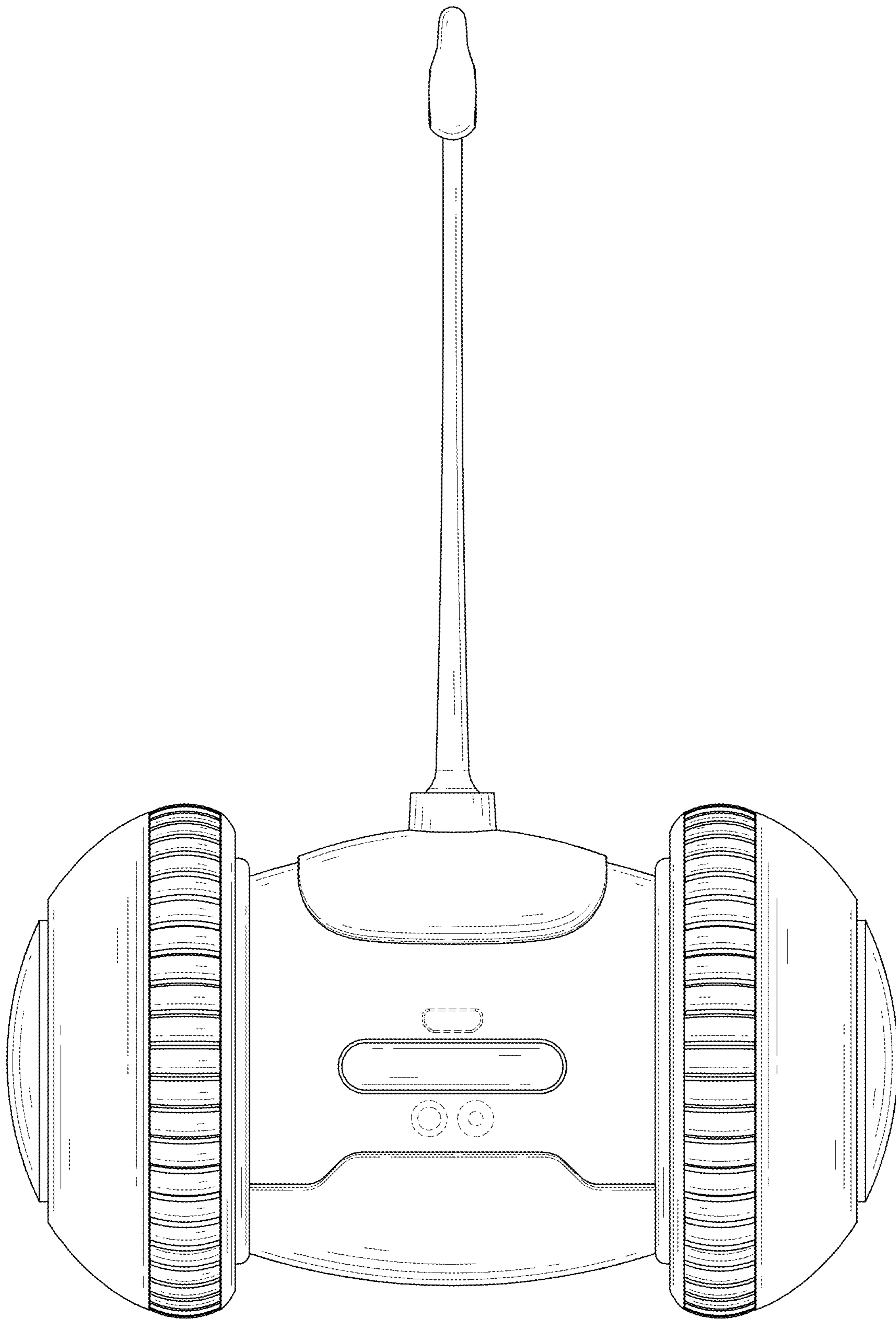


FIG. 3

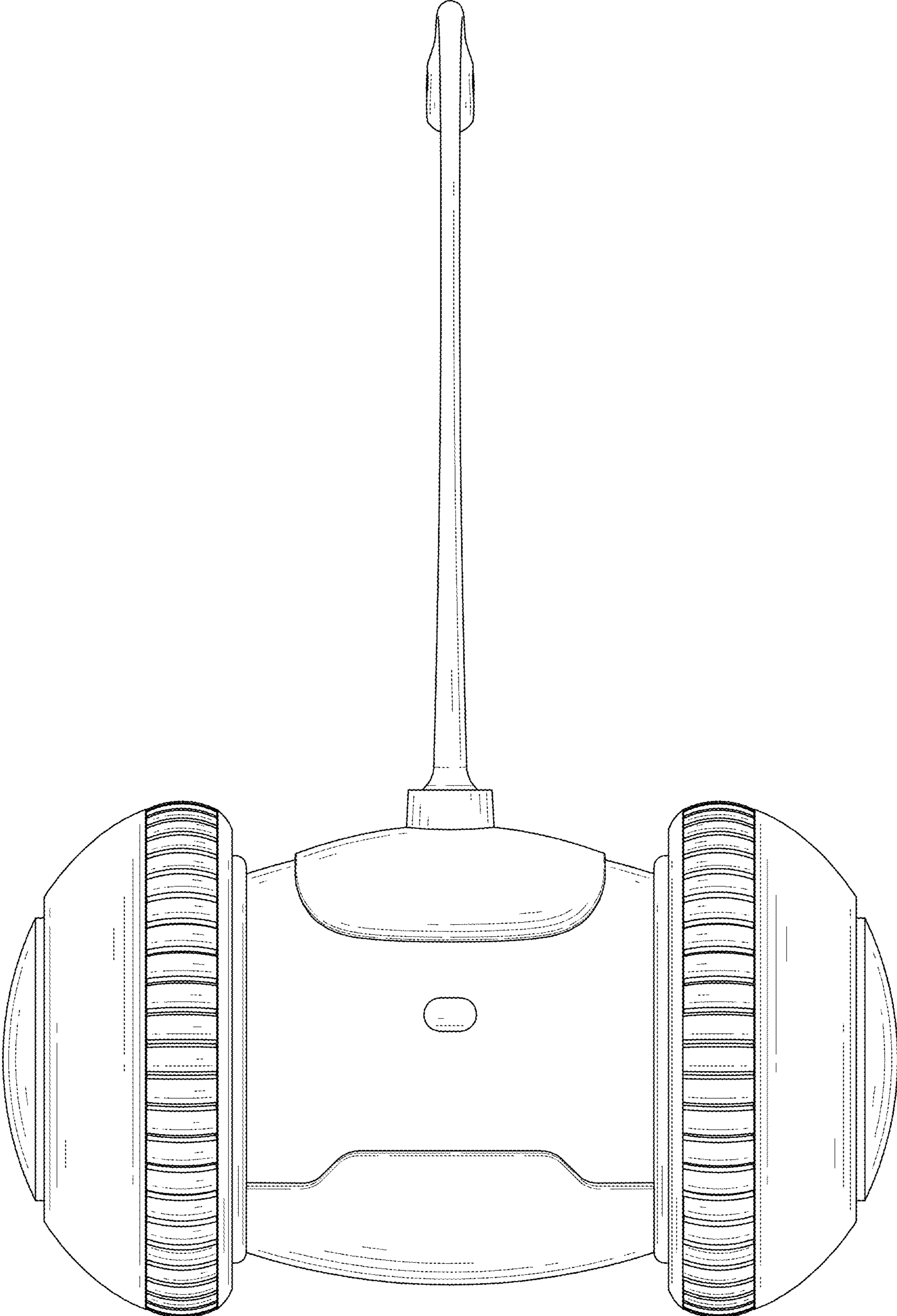


FIG. 4

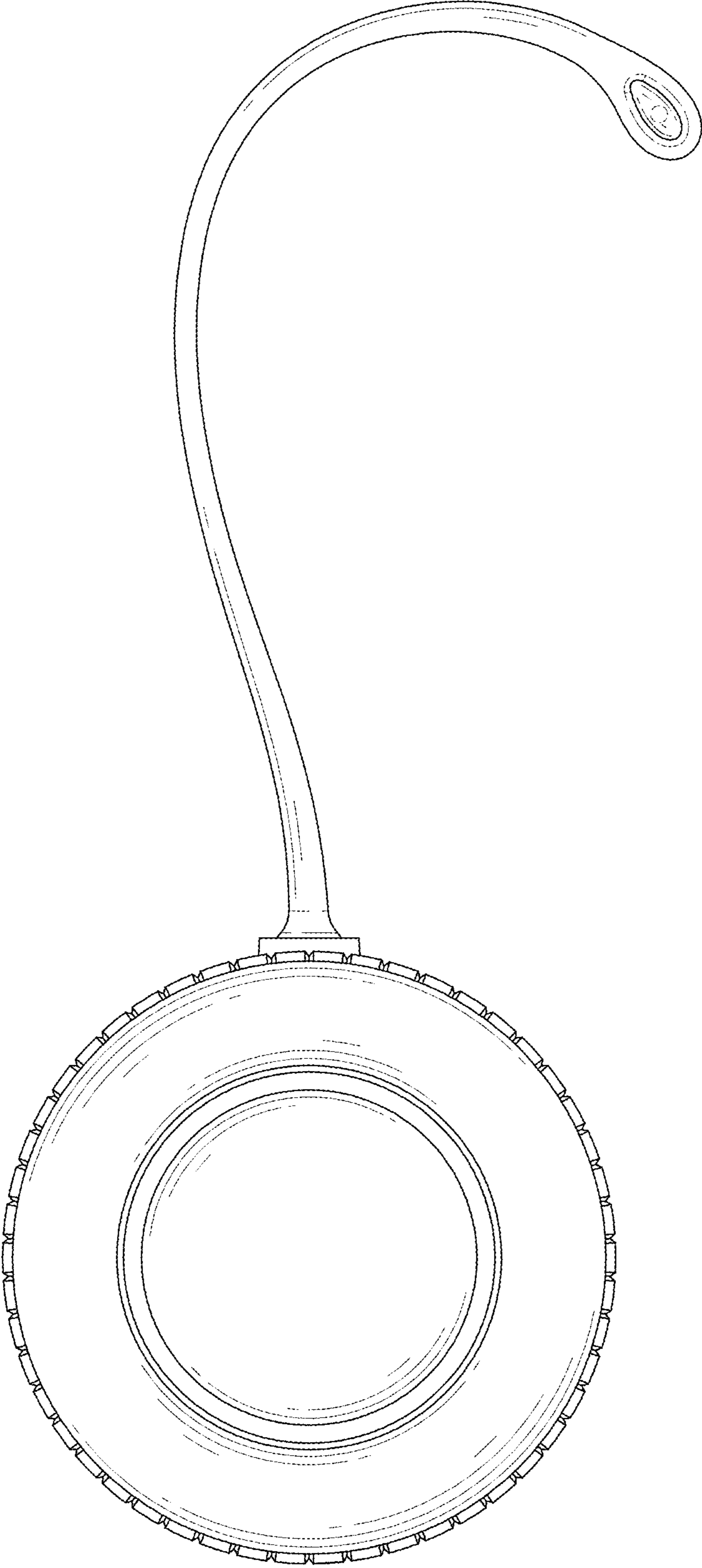


FIG. 5

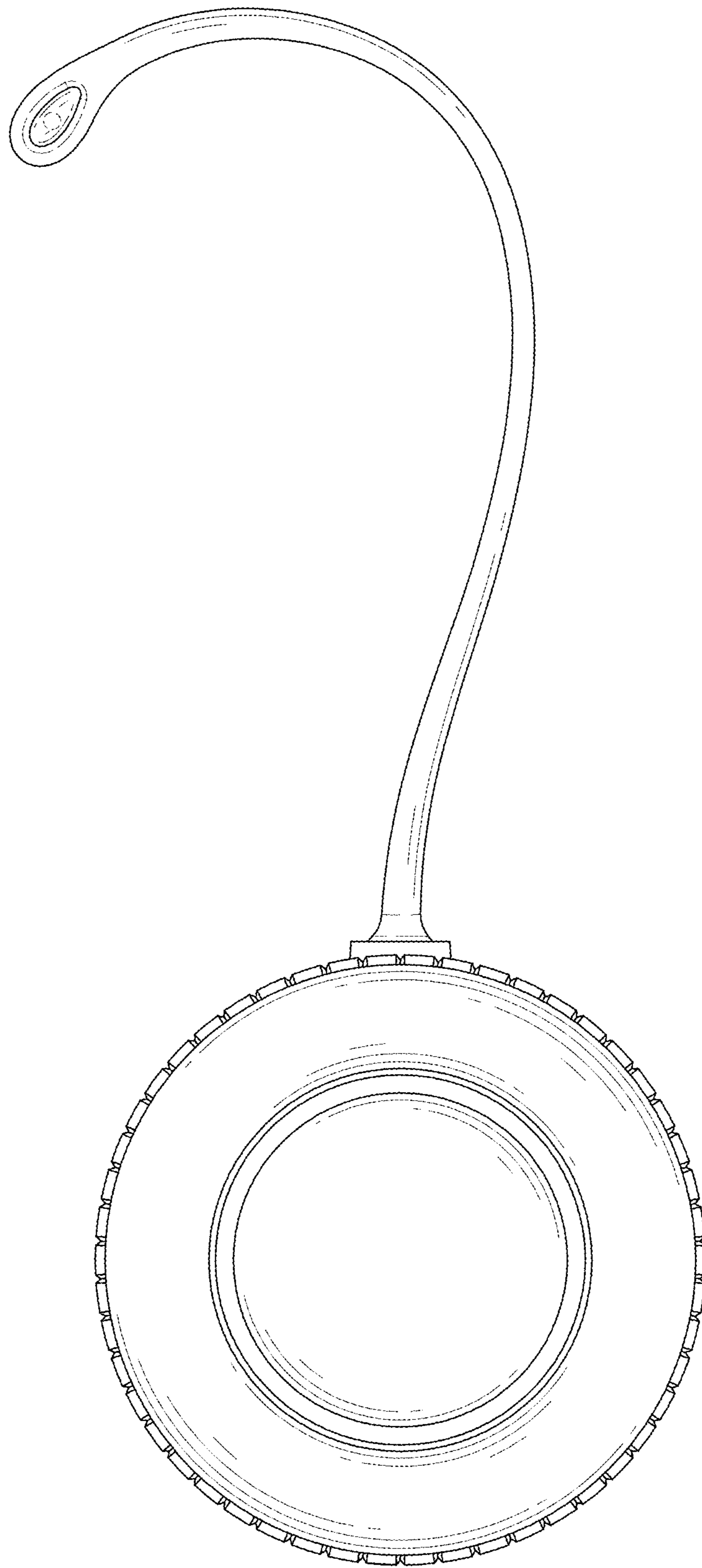


FIG. 6

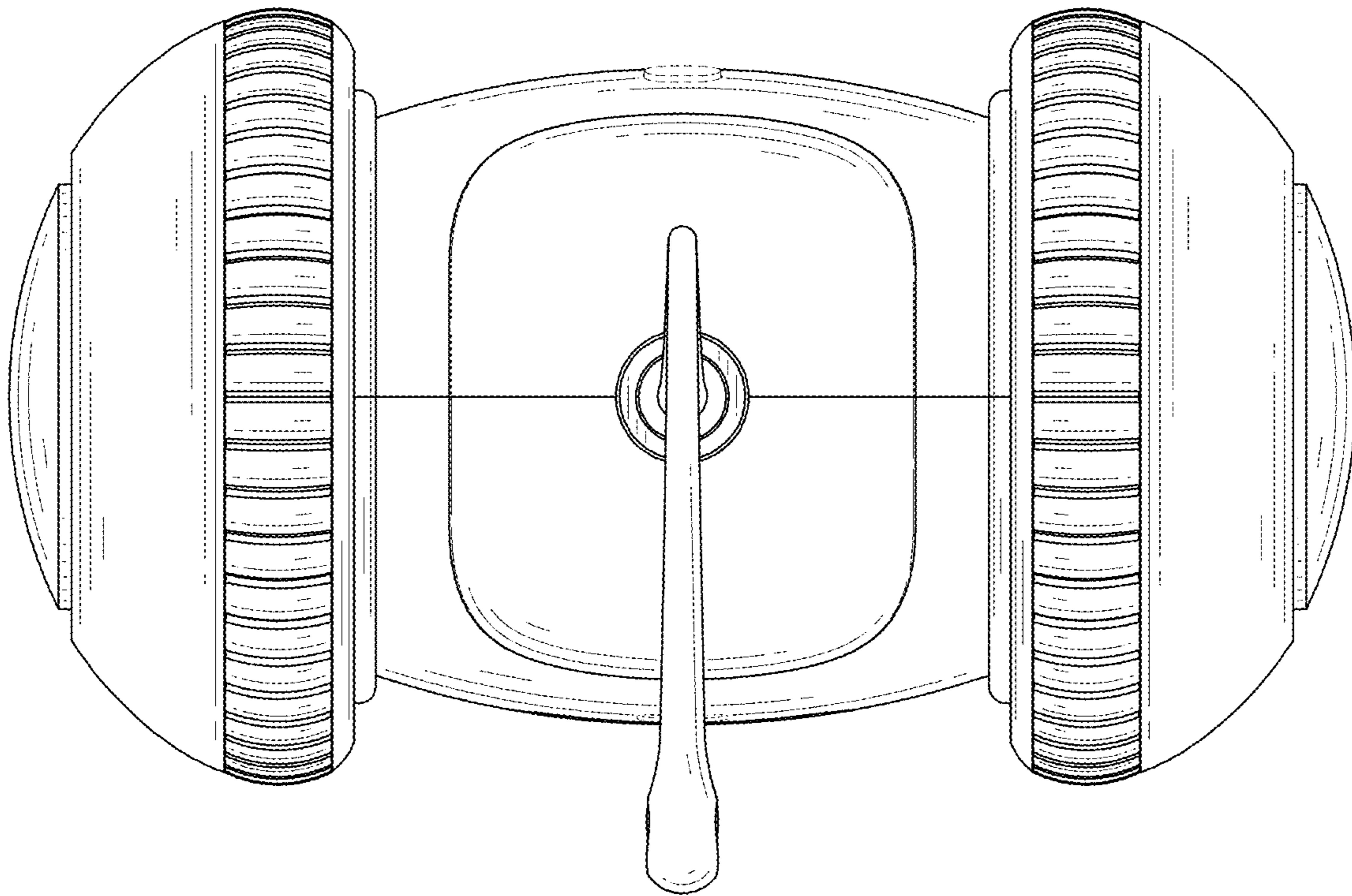


FIG. 7

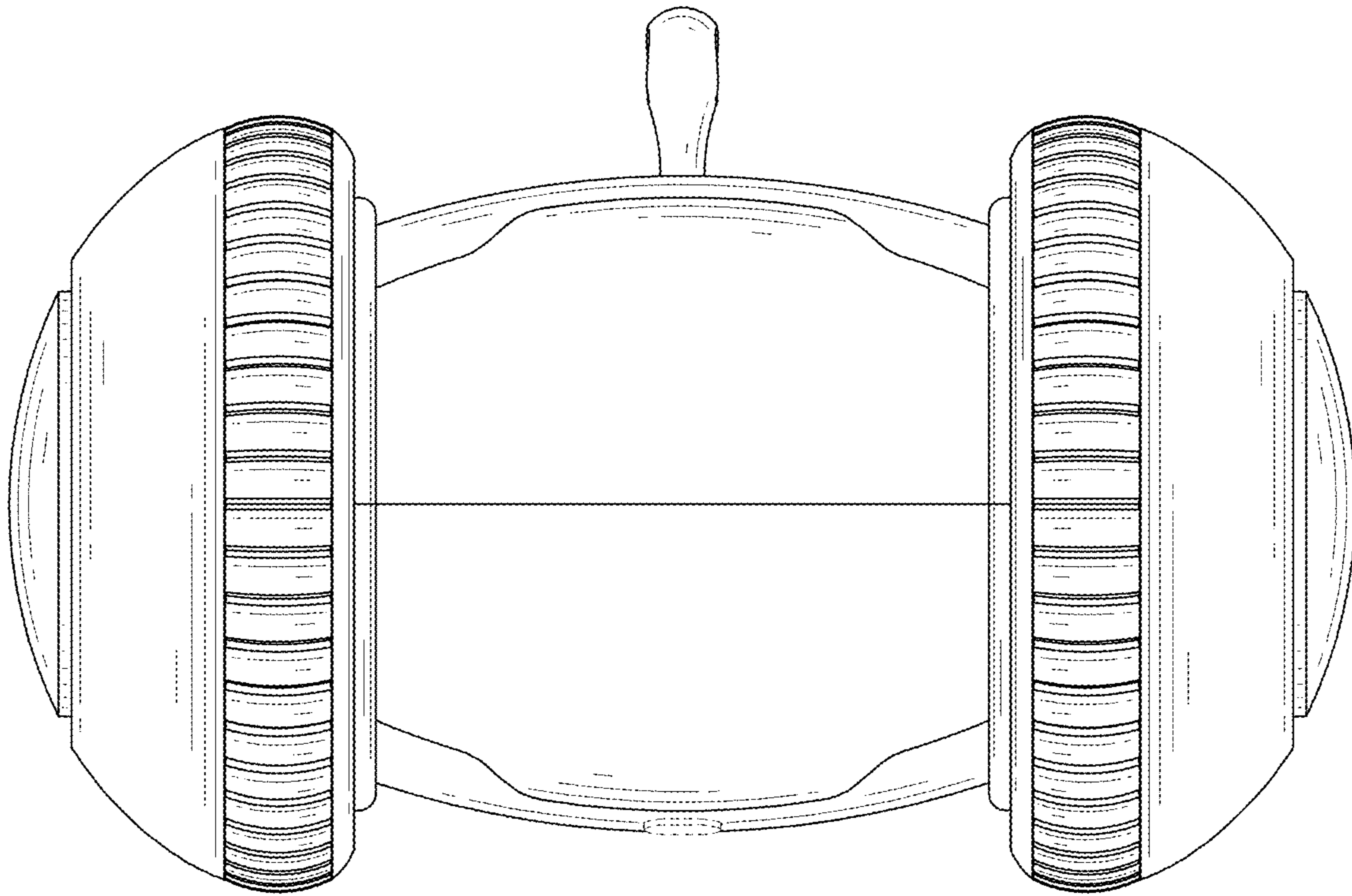


FIG. 8