



US00D915004S

(12) **United States Design Patent**
White

(10) **Patent No.:** **US D915,004 S**
(45) **Date of Patent:** **** Mar. 30, 2021**

(54) **DOG CHEW**

(71) Applicant: **Chews Happiness**, Boulder, CO (US)

(72) Inventor: **Tavor White**, Boulder, CO (US)

(73) Assignee: **Chews Happiness**, Boulder, CO (US)

(**) Term: **15 Years**

(21) Appl. No.: **29/681,310**

(22) Filed: **Feb. 25, 2019**

(51) **LOC (13) Cl.** **30-99**

(52) **U.S. Cl.**
USPC **D30/160**

(58) **Field of Classification Search**
USPC D30/160; D1/106, 108, 109, 127, 128,
D1/199; D32/40; D8/339; D9/600, 601,
D9/707; D24/124; D28/7; 119/709,
119/710, 711; D99/5
CPC A01K 15/02; A01K 15/00; A01K 15/026;
A23K 1/14; A23K 1/18; A23K 50/40;
A23K 50/42
See application file for complete search history.

(56) **References Cited**

U.S. PATENT DOCUMENTS

| | | | | | |
|-----------|------|---------|-----------|-------|------------------------|
| 5,263,436 | A * | 11/1993 | Axelrod | | A01K 15/026 119/710 |
| 5,419,283 | A * | 5/1995 | Leo | | A01K 15/026 119/709 |
| 5,827,565 | A * | 10/1998 | Axelrod | | A01K 15/026 426/623 |
| D407,185 | S * | 3/1999 | Marcks | | D1/106 |
| 6,056,991 | A * | 5/2000 | Axelrod | | A23K 50/42 426/623 |
| 6,126,978 | A * | 10/2000 | Axelrod | | A01K 15/026 426/285 |
| 6,180,161 | B1 * | 1/2001 | Axelrod | | A01K 15/026 426/623 |
| D442,714 | S * | 5/2001 | Warden | | D26/38 |
| D450,894 | S * | 11/2001 | Suchowski | | A01K 15/026 D30/160 |

(Continued)

OTHER PUBLICATIONS

“Dog Chew” published Jun. 3, 2020 [Online], [Retrieved Oct. 14, 2020], from Internet: <https://chewshappiness.com/product/happiness-dog-chews/> Publication date on Web archives: https://web.archive.org/web/*/https://chewshappiness.com/product/happiness-dog-chews/*

Primary Examiner — Sandra Snapp
Assistant Examiner — Mehri Bajoul

(74) *Attorney, Agent, or Firm* — Elevated IP, LLC

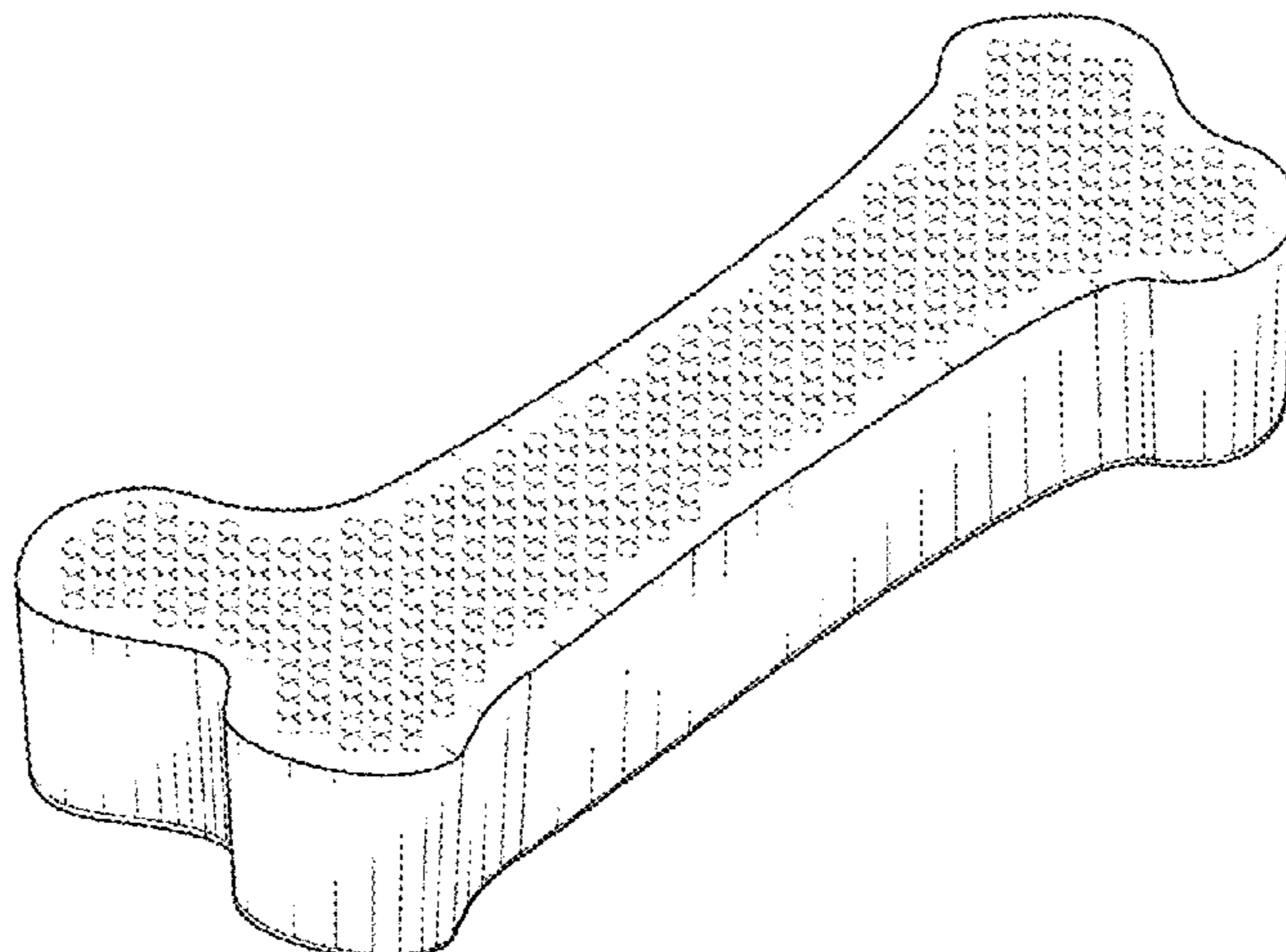
(57) **CLAIM**

The ornamental design for a dog chew, as shown and described.

DESCRIPTION

FIG. 1 is a top isometric view of a first embodiment and the second embodiment of the dog chew showing my new design;
FIG. 2 is a bottom isometric view thereof;
FIG. 3 is a top plan view of thereof;
FIG. 4 is a bottom plan view thereof;
FIG. 5 is a left side elevational view of the first embodiment of the dog chew depicted in FIGS. 1-4 having a concave textured top and bottom surfaces;
FIG. 6 is a right side elevational view thereof;
FIG. 7 is a first end elevational view thereof;
FIG. 8 is a second end elevational view thereof;
FIG. 9 is a left side elevational view of the second embodiment of the dog chew depicted in FIGS. 1-4 having a convex textured top and bottom surfaces;
FIG. 10 is a right side elevation view thereof;
FIG. 11 is a first end elevation view thereof; and,
FIG. 12 is a second end elevation view thereof.
The broken lines in the drawings depicts portions of the dog chew that forms no part of the claimed design.

1 Claim, 4 Drawing Sheets



(56)

References Cited

U.S. PATENT DOCUMENTS

| | | | | | | |
|--------------|----|---|---------|----------|-------|-------------|
| D475,816 | S | * | 6/2003 | Adamson | | D1/106 |
| D487,327 | S | * | 3/2004 | Andersen | | A23K 50/40 |
| | | | | | | D1/199 |
| D496,518 | S | * | 9/2004 | Tepper | | D1/106 |
| D512,189 | S | * | 11/2005 | Byrne | | D30/160 |
| D512,539 | S | * | 12/2005 | Brunes | | D30/130 |
| D514,278 | S | * | 2/2006 | Weinberg | | A01K 15/026 |
| | | | | | | D1/106 |
| D527,273 | S | * | 8/2006 | Edwards | | D9/600 |
| D578,726 | S | * | 10/2008 | Edwards | | D1/109 |
| D586,976 | S | * | 2/2009 | Lundwall | | D1/109 |
| D620,207 | S | * | 7/2010 | Byrne | | D30/160 |
| D641,248 | S | * | 7/2011 | Steger | | D9/607 |
| D657,924 | S | * | 4/2012 | Soegaard | | D32/40 |
| D658,823 | S | * | 5/2012 | Viola | | D30/160 |
| D686,797 | S | * | 7/2013 | Robinson | | D1/106 |
| D694,986 | S | * | 12/2013 | Endres | | D1/106 |
| D715,516 | S | * | 10/2014 | Barnvos | | D1/125 |
| D724,205 | S | * | 3/2015 | Cardin | | D24/124 |
| D725,866 | S | * | 4/2015 | Barnvos | | D1/106 |
| D740,101 | S | * | 10/2015 | Chance | | D8/330 |
| D740,500 | S | * | 10/2015 | Wickens | | D30/160 |
| D747,067 | S | * | 1/2016 | Axelrod | | D1/106 |
| D751,773 | S | * | 3/2016 | Gailen | | D30/121 |
| D760,466 | S | * | 7/2016 | McCoy | | D1/106 |
| D789,020 | S | * | 6/2017 | Kennedy | | D99/5 |
| D814,696 | S | * | 4/2018 | Zhou | | D28/7 |
| D819,899 | S | * | 6/2018 | Gick | | D30/160 |
| D840,629 | S | * | 2/2019 | Packard | | D99/5 |
| D846,215 | S | * | 4/2019 | Johnson | | D32/40 |
| D861,281 | S | * | 10/2019 | Axelrod | | D1/106 |
| D869,786 | S | * | 12/2019 | Gick | | D30/160 |
| 10,631,555 | B2 | * | 4/2020 | Barnvos | | A23K 20/26 |
| 2008/0193607 | A1 | * | 8/2008 | Tepper | | A23K 50/42 |
| | | | | | | 426/92 |

* cited by examiner

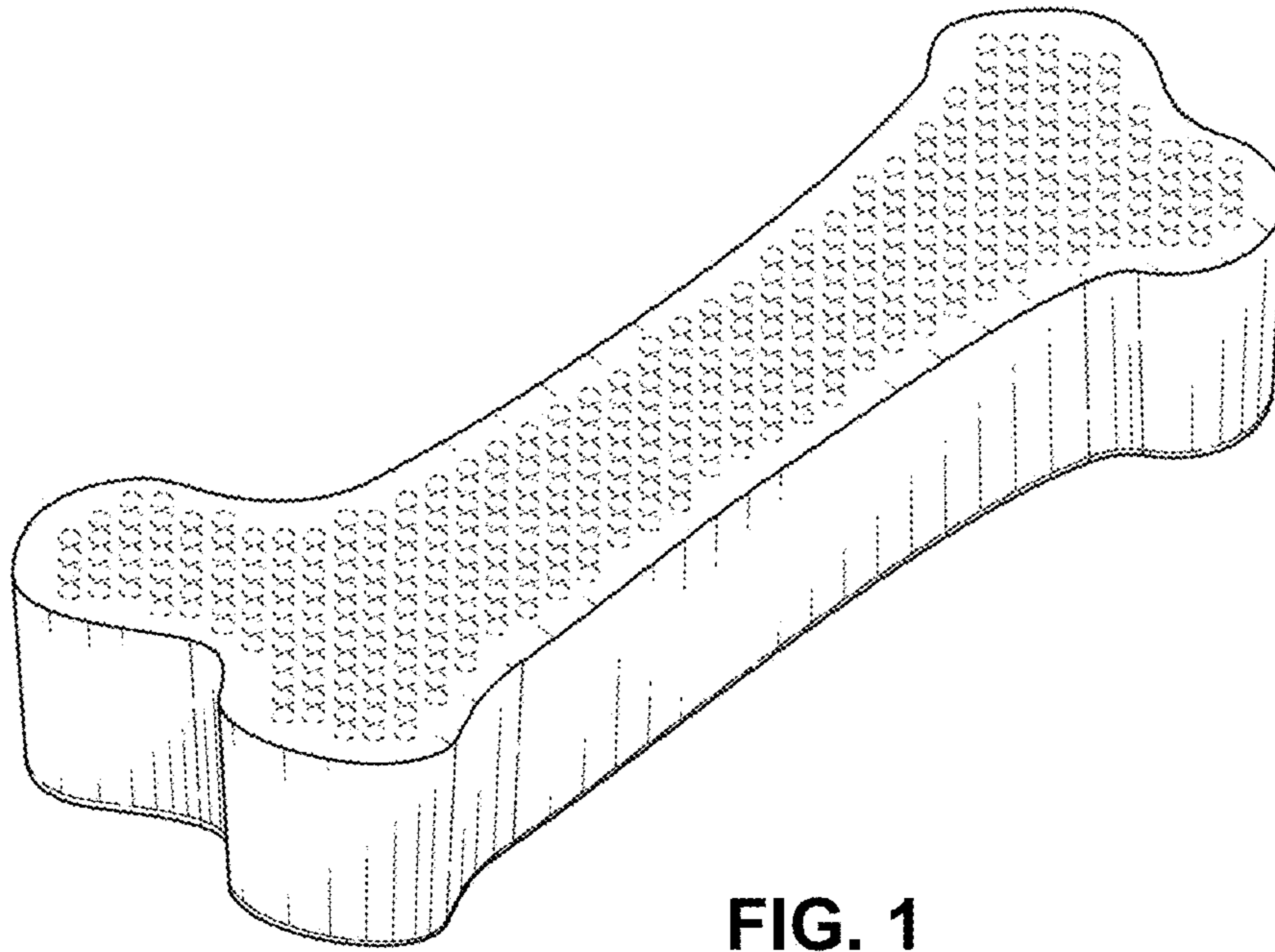


FIG. 1

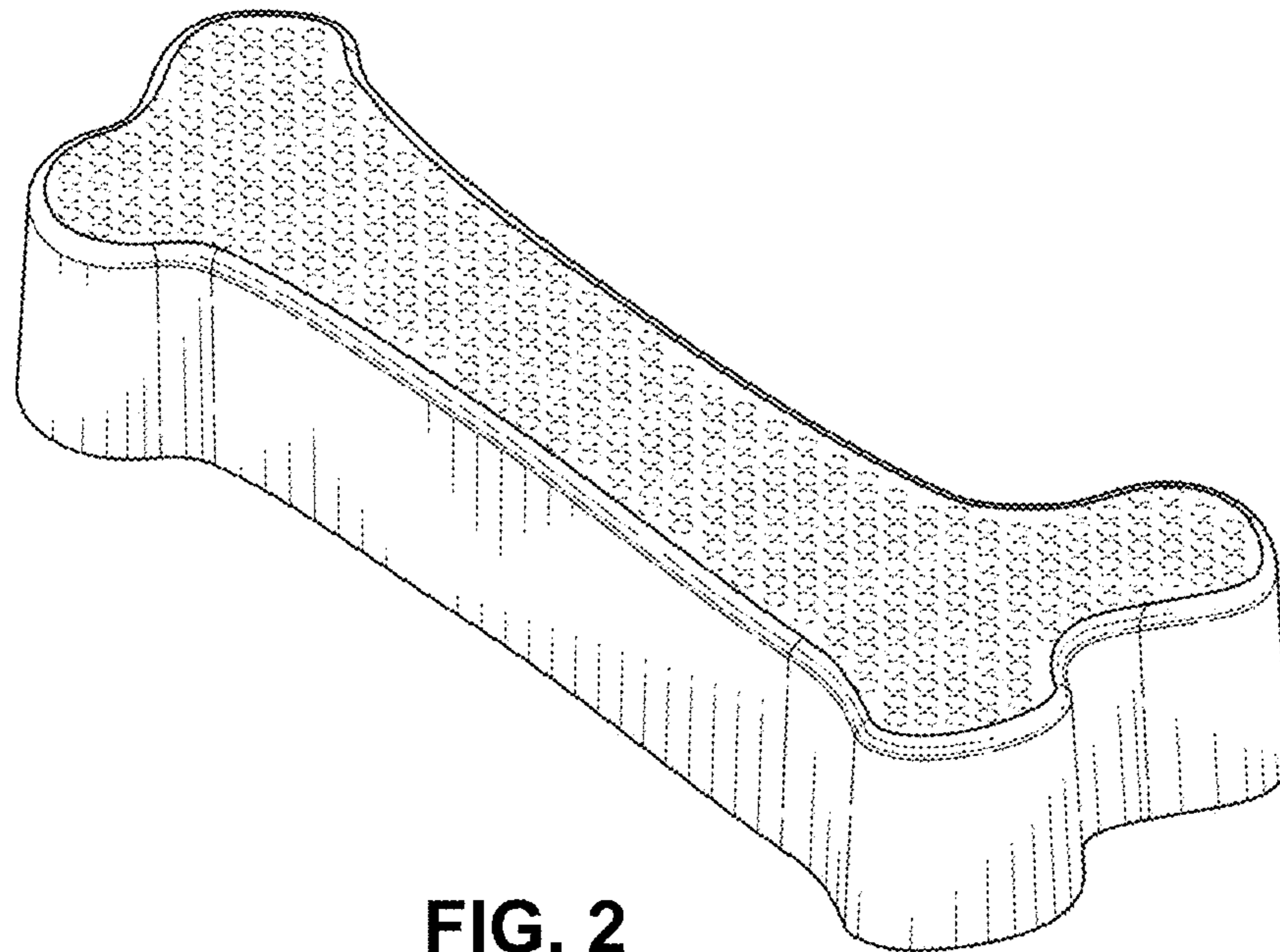


FIG. 2

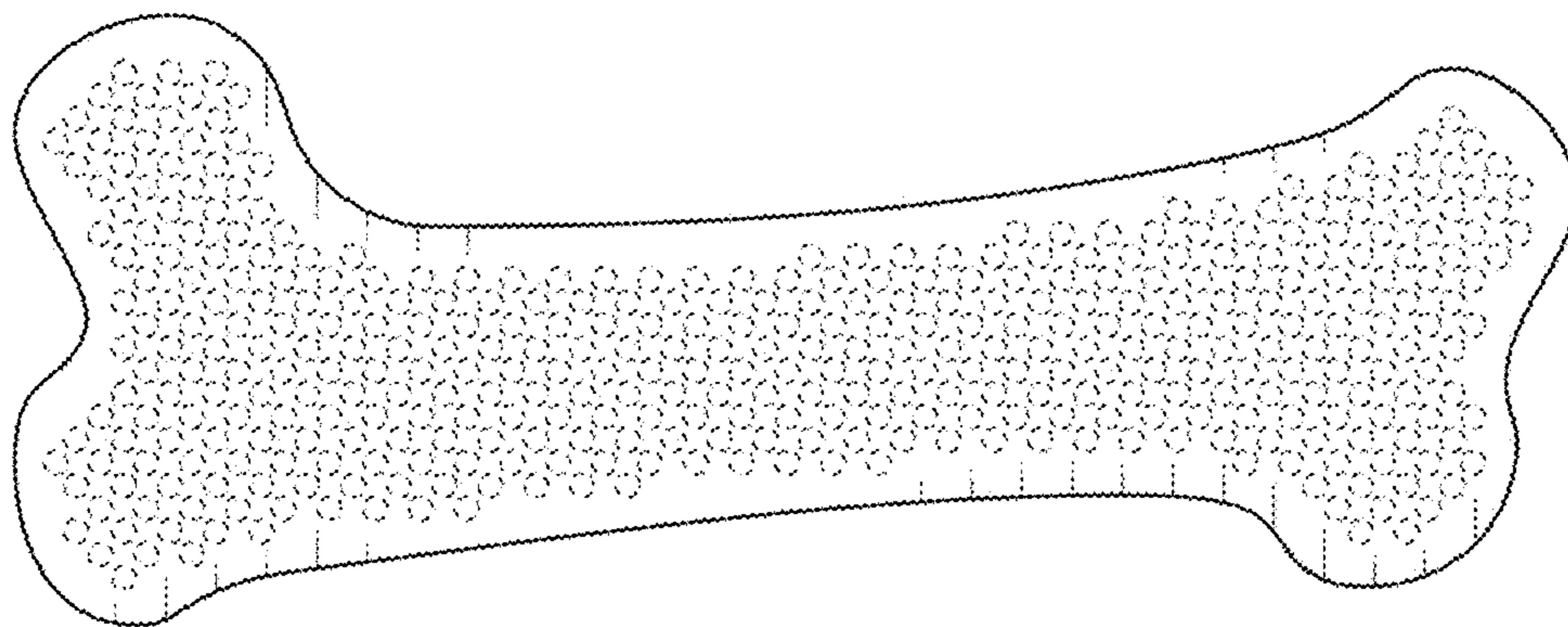


FIG. 3

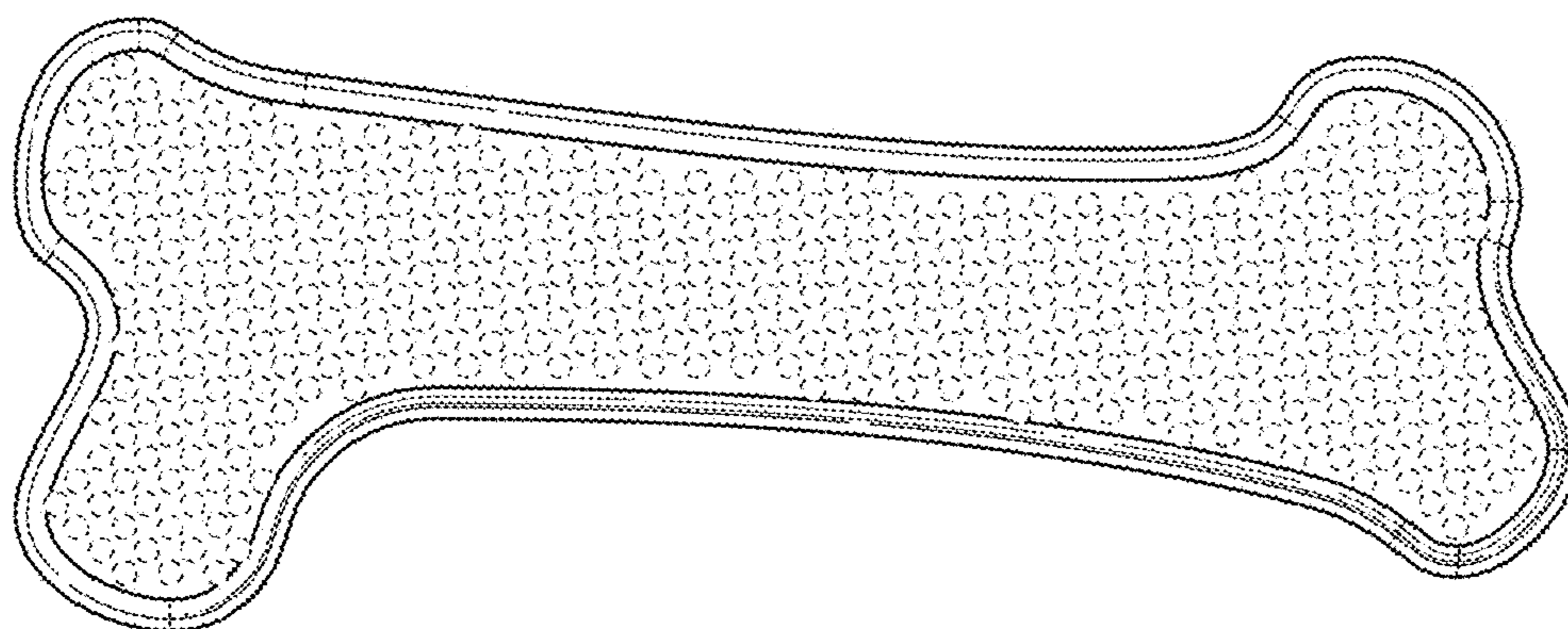


FIG. 4

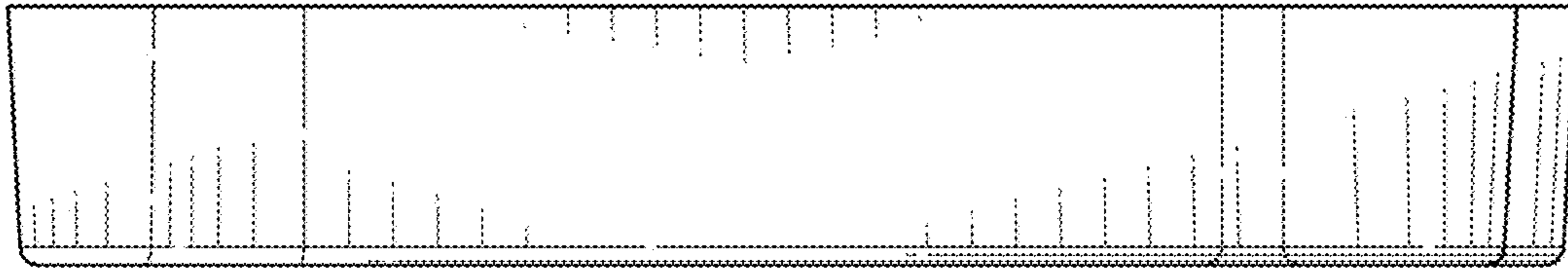


FIG. 5

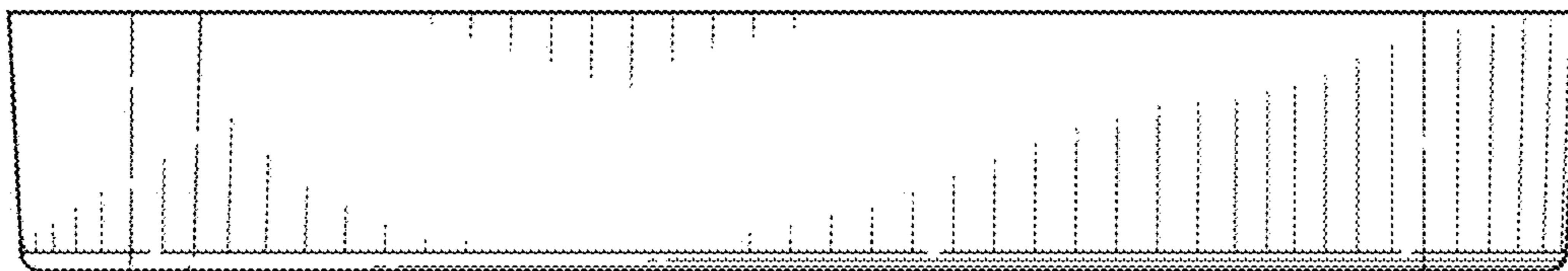


FIG. 6

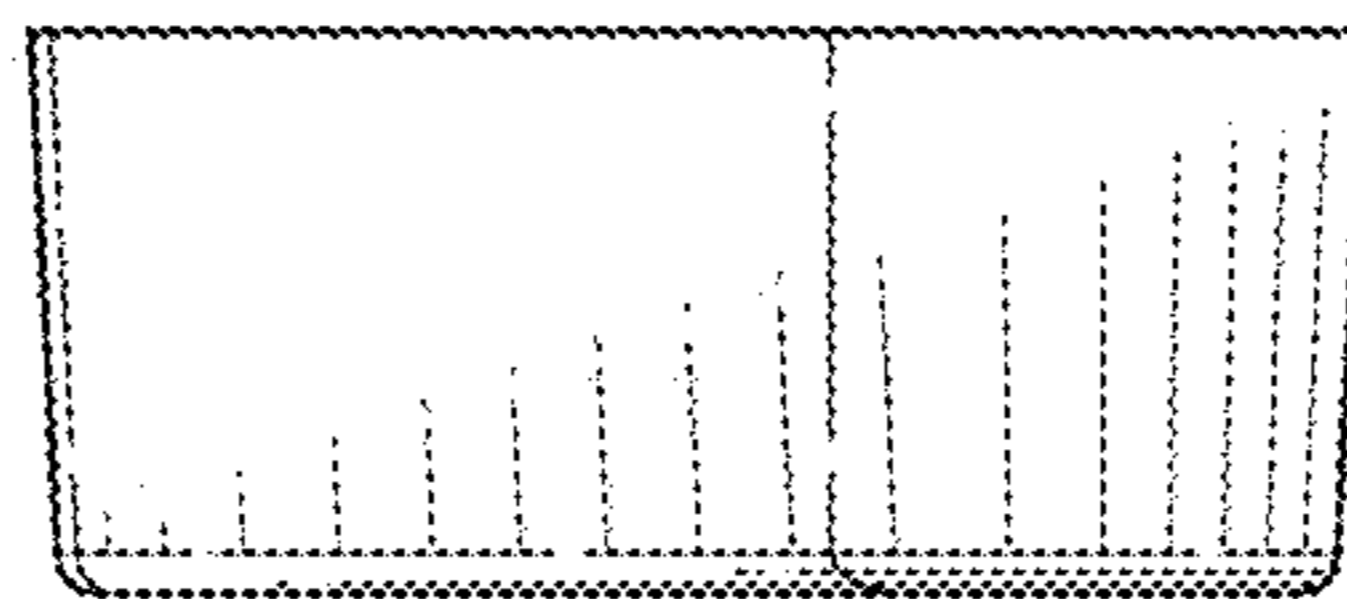


FIG. 7

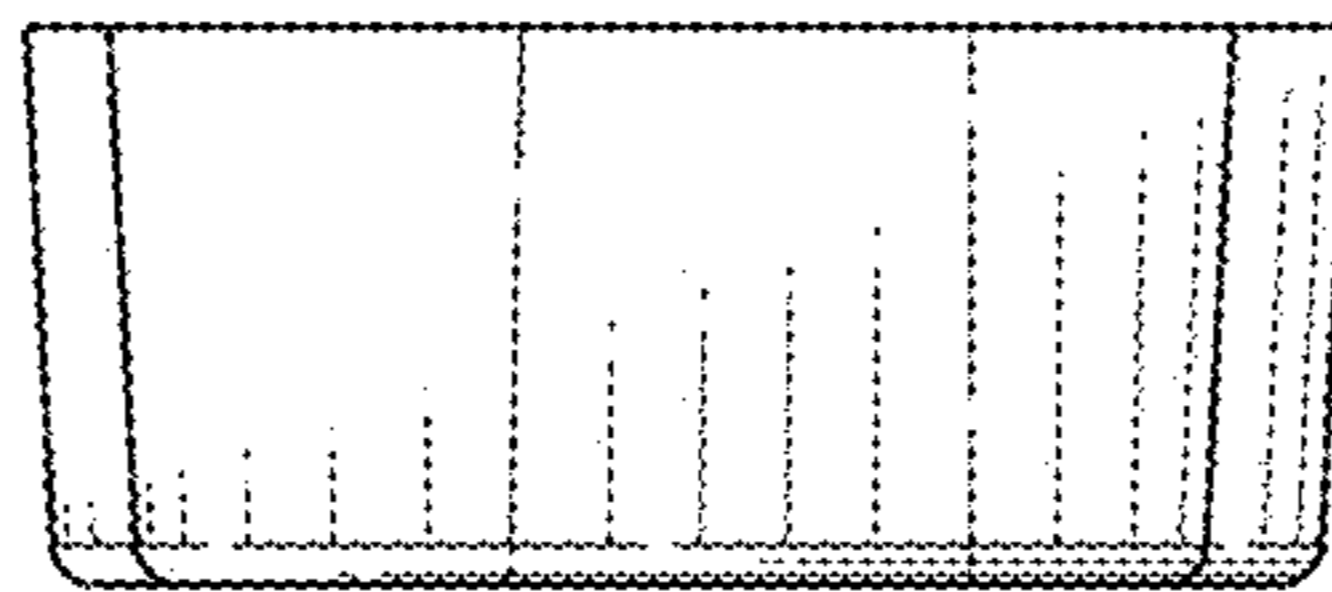


FIG. 8

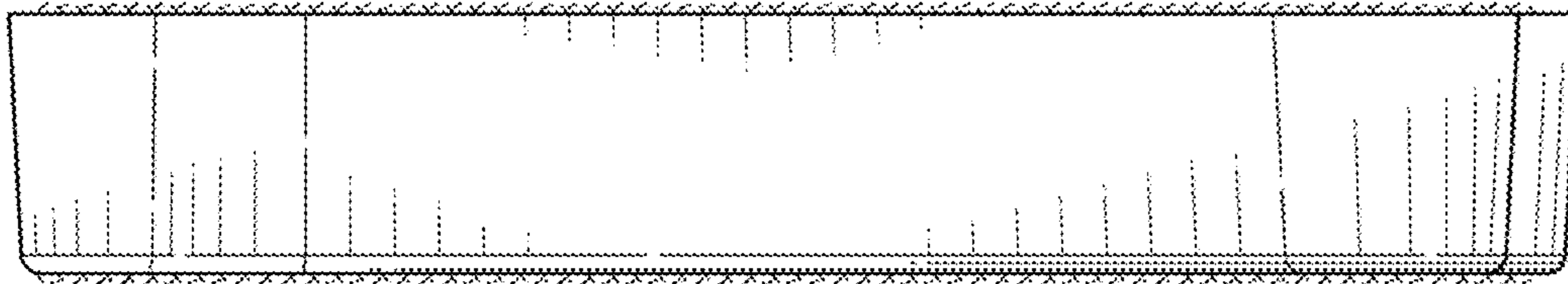


FIG. 9

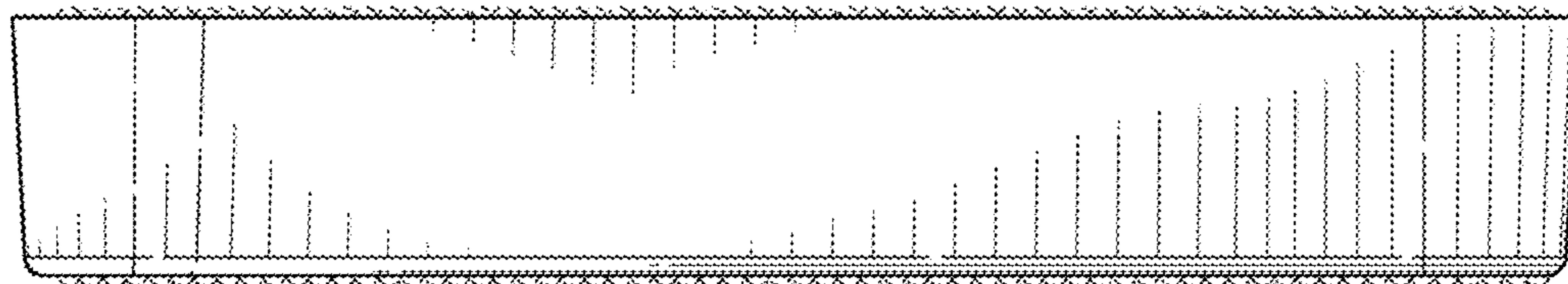


FIG. 10

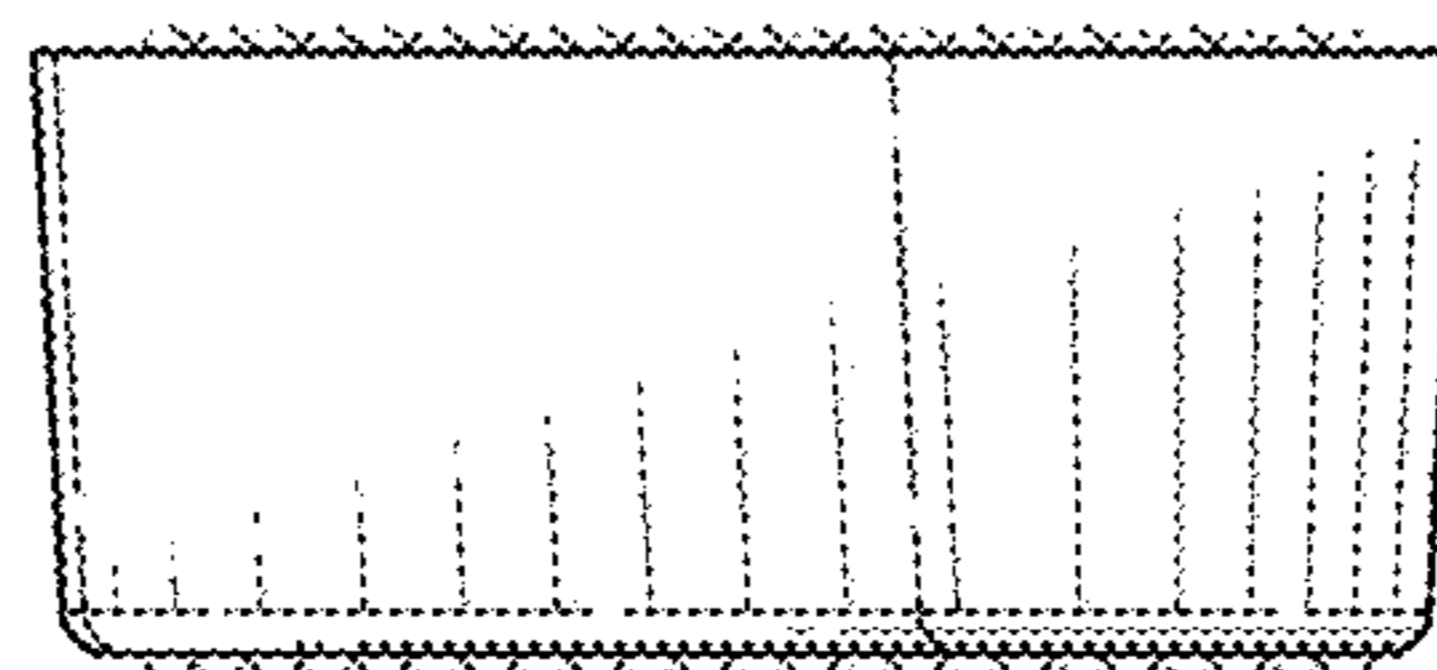


FIG. 11

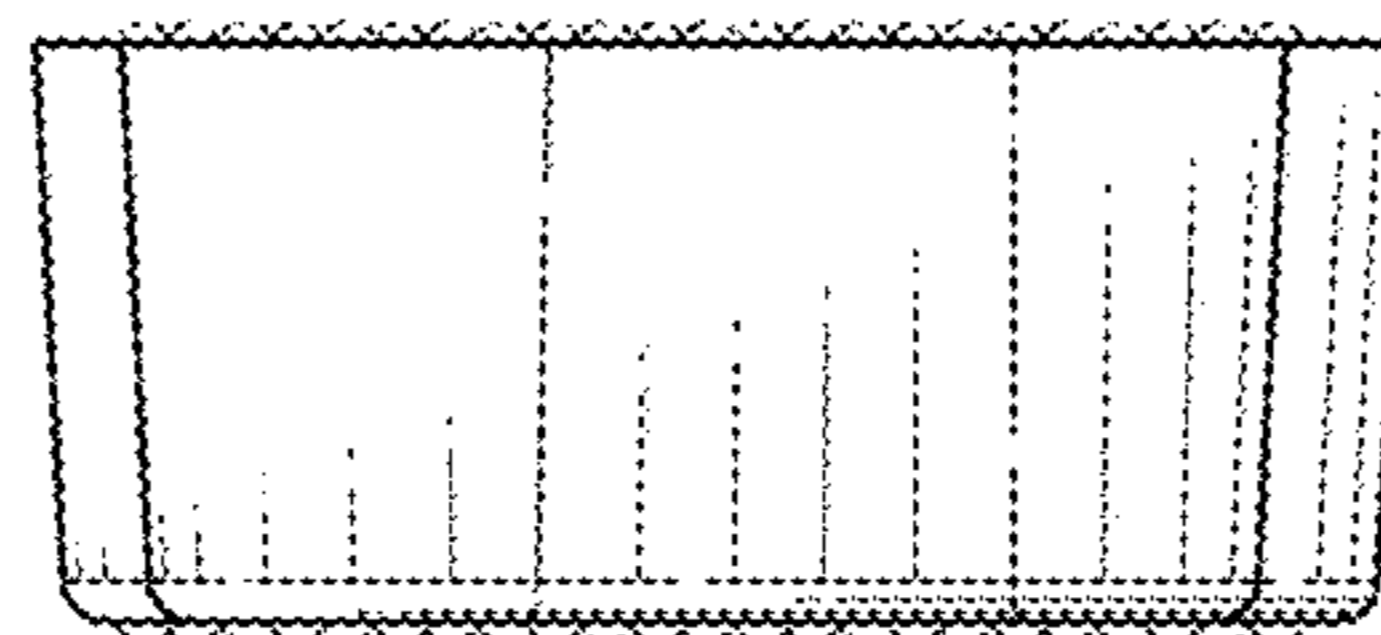


FIG. 12