



US00D915002S

(12) **United States Design Patent**  
**Sebo**

(10) **Patent No.: US D915,002 S**

(45) **Date of Patent: \*\* Mar. 30, 2021**

(54) **DOG HARNESS**

(71) Applicant: **JULIUS-K9 Zrt.**, Szigetszentmiklós (HU)

(72) Inventor: **Gyula Sebo**, Szigetszentmiklós (HU)

(73) Assignee: **Julius-K9 Zrt.**, Szigetszentmiklós (HU)

(\*\*) Term: **15 Years**

(21) Appl. No.: **35/507,673**

(22) Filed: **May 24, 2019**

(80) **Hague Agreement Data**

Int. Filing Date: **May 24, 2019**

Int. Reg. No.: **DM/203802**

Int. Reg. Date: **May 24, 2019**

Int. Reg. Pub. Date: **Nov. 8, 2019**

(30) **Foreign Application Priority Data**

Dec. 21, 2018 (EM) ..... 005942224-0002

Dec. 21, 2018 (EM) ..... 005942224-0003

Dec. 21, 2018 (EM) ..... 005942224-0004

Dec. 21, 2018 (EM) ..... 005942224-0005

(51) **LOC (13) Cl.** ..... **30-04**

(52) **U.S. Cl.**  
USPC ..... **D30/152**

(58) **Field of Classification Search**  
USPC ..... D30/144, 145, 151, 152; D24/190;  
D29/101.1, 101.3, 101.4, 101.5

CPC ..... A01K 27/002

See application file for complete search history.

(56) **References Cited**

**U.S. PATENT DOCUMENTS**

D507,084 S \* 7/2005 Sabeh-Azar ..... D30/144

D555,289 S \* 11/2007 Escarcega ..... D29/101.3

D681,287 S \* 4/2013 Collignon ..... D30/145

D753,350 S \* 4/2016 Thitz ..... D30/151

D862,004 S \* 10/2019 Yun ..... D30/152

D878,684 S \* 3/2020 Zimmermann ..... D30/152  
D885,689 S \* 5/2020 Xu ..... D30/152  
D889,755 S \* 7/2020 Dusev ..... D30/152  
2008/0223311 A1 \* 9/2008 Ito ..... A01K 27/002  
119/792  
2011/0067648 A1 \* 3/2011 Siklosi ..... A01K 27/002  
119/792  
2011/0271913 A1 \* 11/2011 Min ..... A01K 27/002  
119/856  
2016/0007570 A1 \* 1/2016 Stout ..... A01K 27/002  
119/856  
2019/0124890 A1 \* 5/2019 Kath ..... A01K 1/0263

**OTHER PUBLICATIONS**

“Julius-K9 IDC: Longwalk Harness (Guard Your Joints)”. Found online Jul. 27, 2020 at doggearreview.com. Reference dated Mar. 11, 2019. Retrieved from <http://doggearreview.com/review/k9gyj/>.\*

“Rnker Front Range Dog Harness”. Found online Feb. 14, 2018 at amazon.com. Reference dated Jun. 3, 2017. Retrieved from [https://www.amazon.com/dp/B01KFL6HIW/ref=sspa\\_dk\\_detail\\_3?psc=1](https://www.amazon.com/dp/B01KFL6HIW/ref=sspa_dk_detail_3?psc=1).\*

“Gooby Pioneer Dog Harness”. Found online May 2, 2019 at amazon.com. Reference dated Dec. 9, 2017. Retrieved from [https://www.amazon.com/Gooby-Pioneer-Restrain-Capability-Turquoise/dp/B07219ZBXG/ref=cm\\_cr\\_arp\\_d\\_product\\_top?ie=UTF8](https://www.amazon.com/Gooby-Pioneer-Restrain-Capability-Turquoise/dp/B07219ZBXG/ref=cm_cr_arp_d_product_top?ie=UTF8).\*

\* cited by examiner

*Primary Examiner* — Kendra Leslie Hamilton

(74) *Attorney, Agent, or Firm* — Hershkovitz & Associates, PLLC; Abe Hershkovitz

(57) **CLAIM**

I claim the ornamental design for dog harness, as shown and described.

**DESCRIPTION**

1.1 : Right side view of a dog harness

1.2 : Left side view

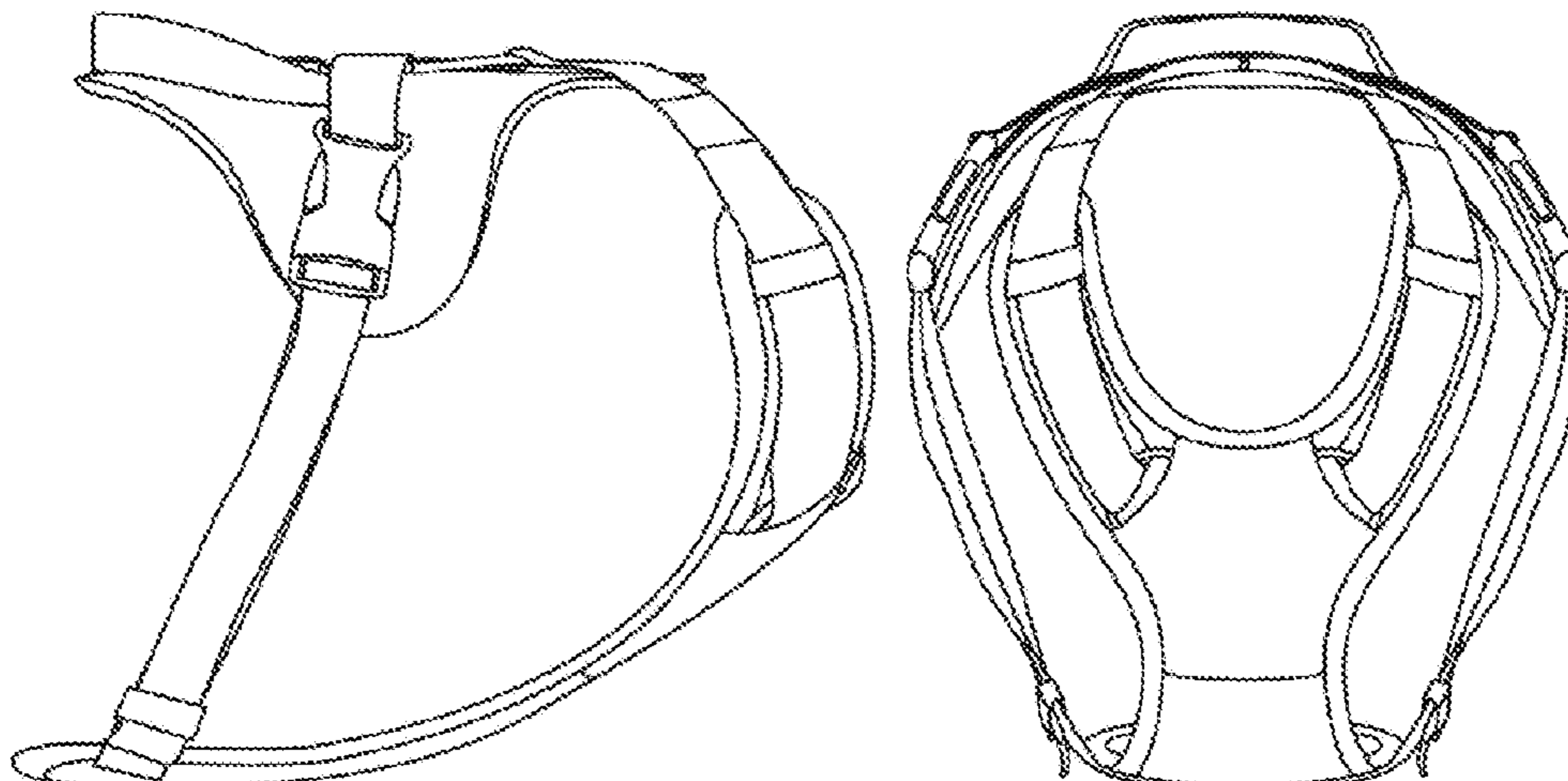
1.3 : Front view

1.4 : Bottom plan view

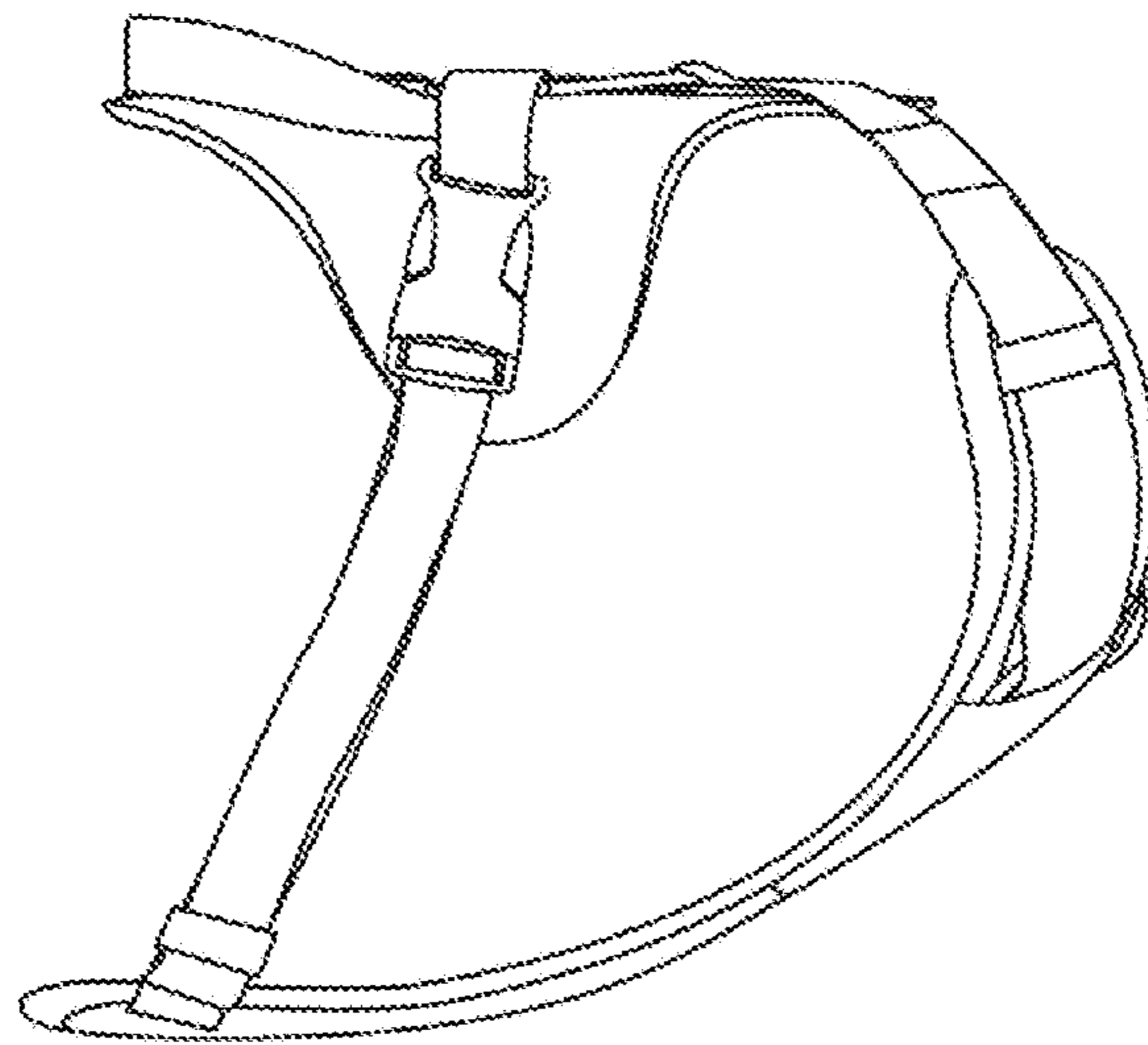
1.5 : Top plan view

1.6 : Rear view

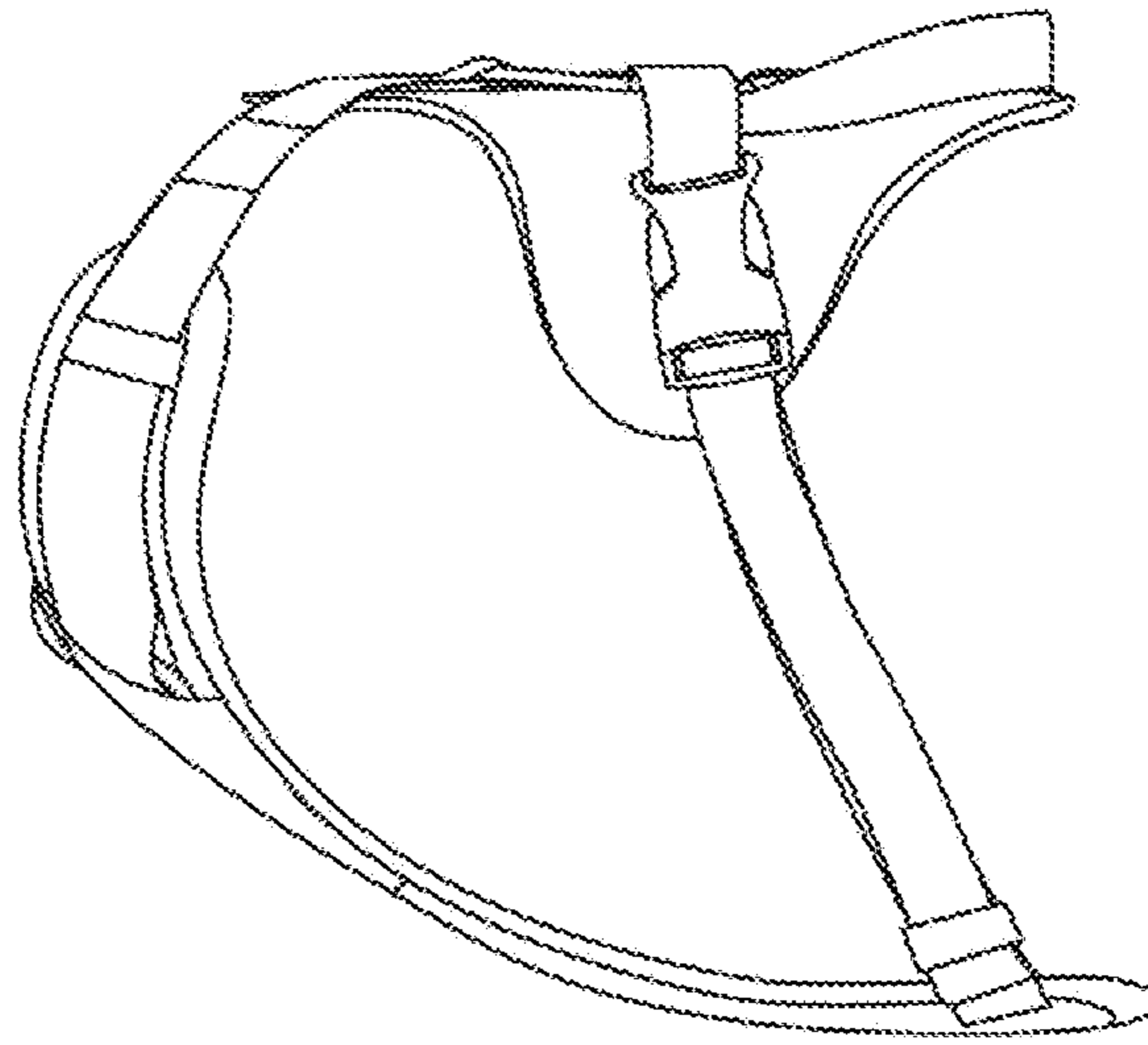
**1 Claim, 6 Drawing Sheets**



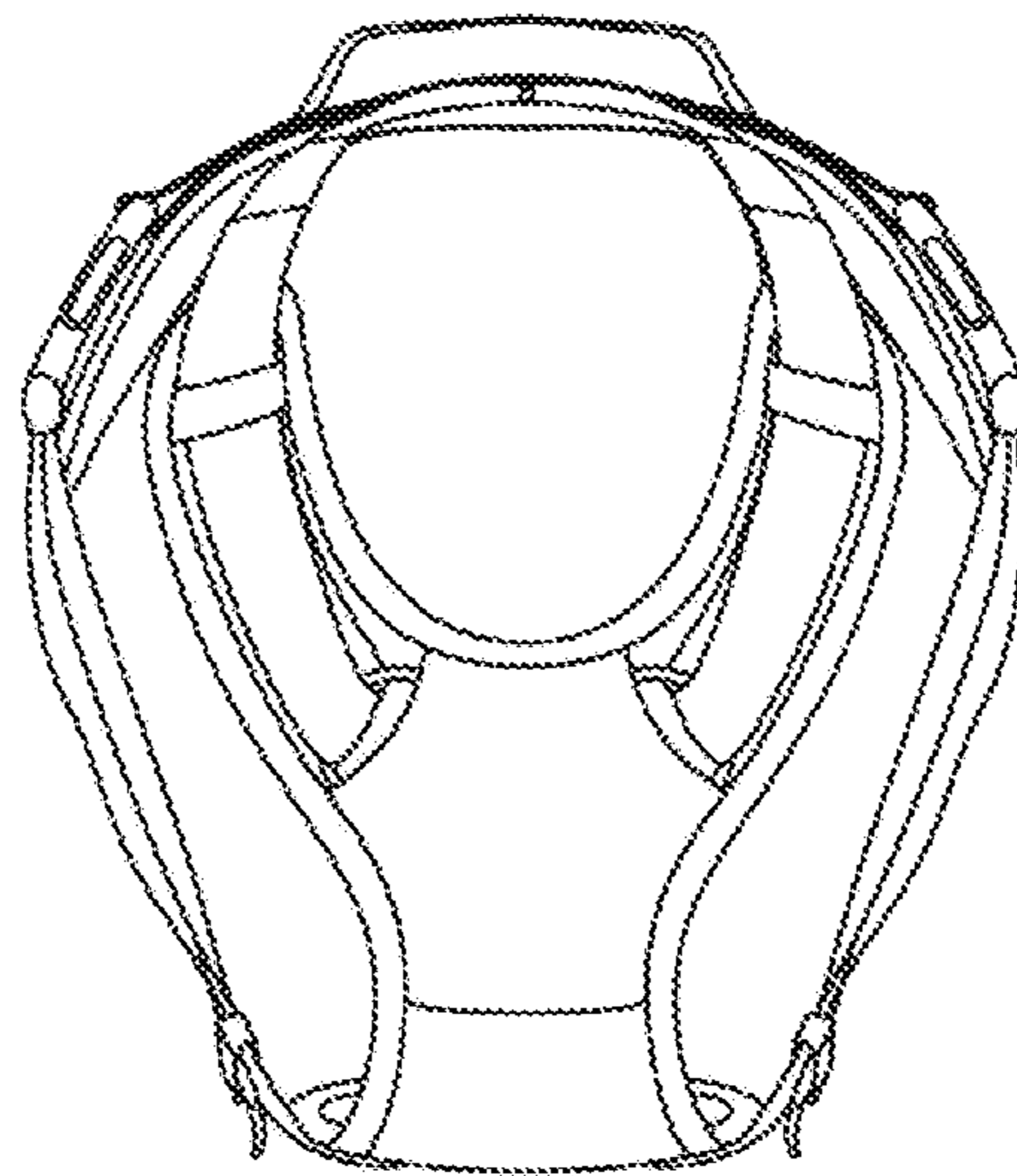
1.1



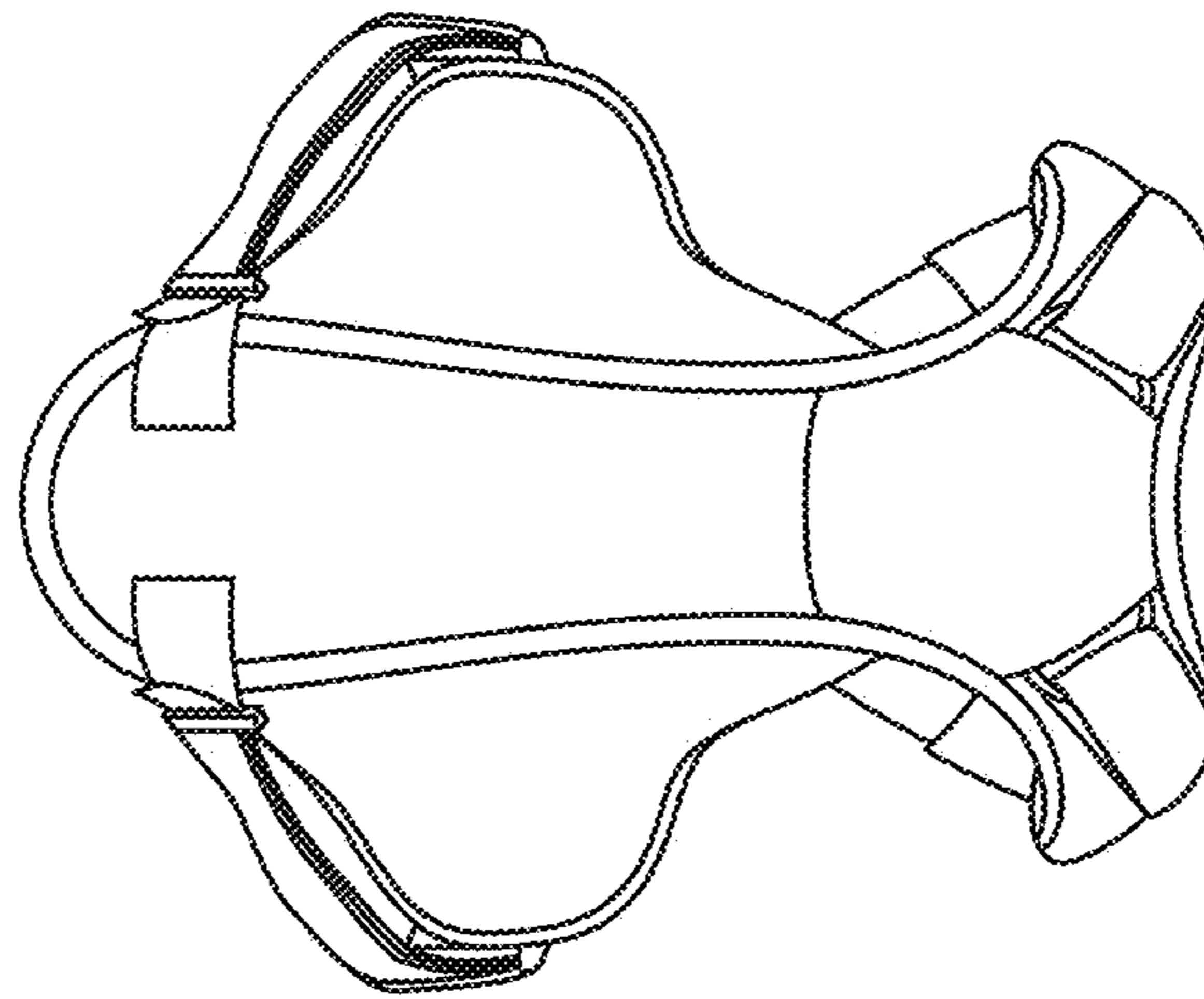
1.2



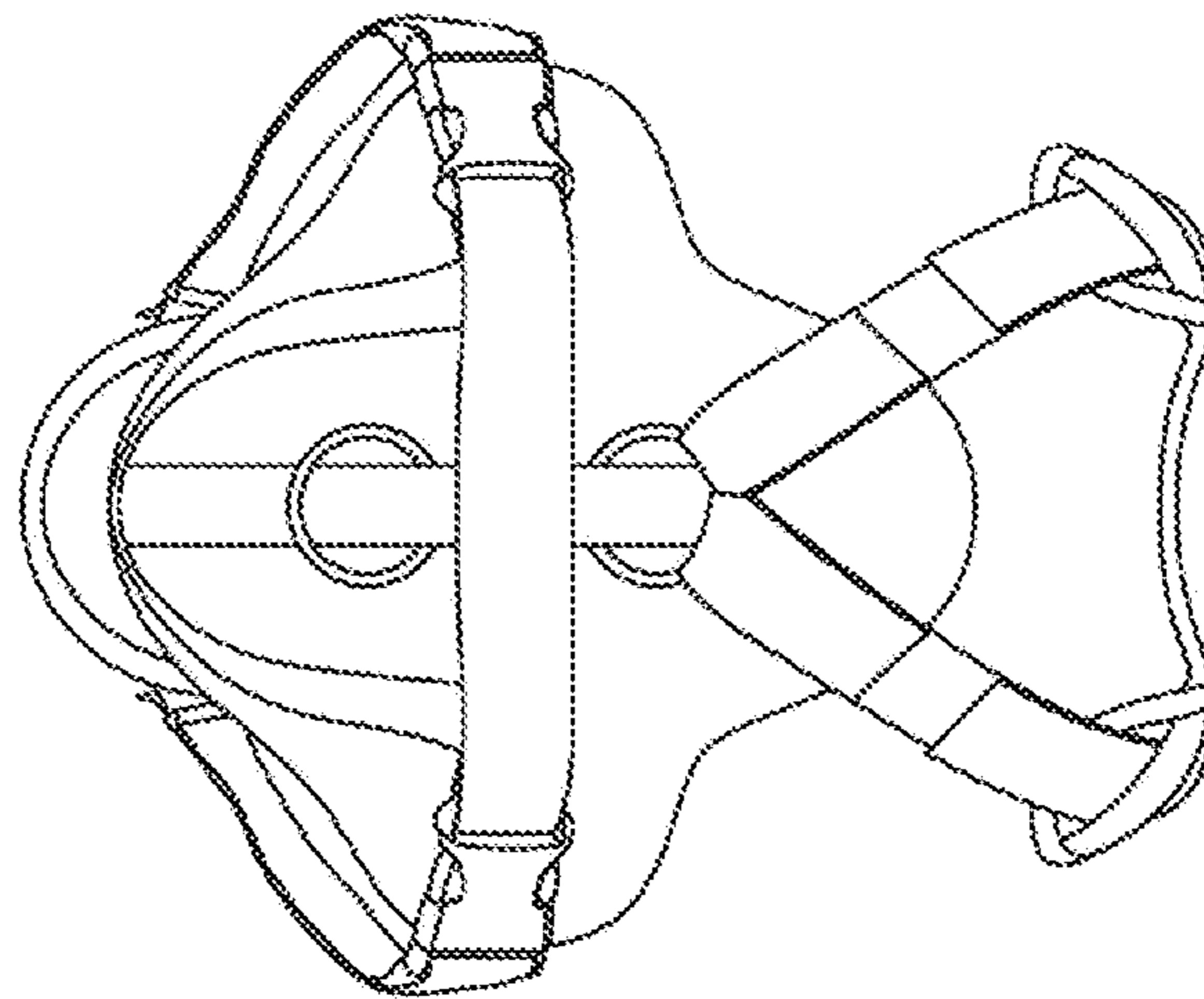
1.3



1.4



1.5





1.6

