



US00D915001S

(12) **United States Design Patent**  
**Nakano et al.**

(10) **Patent No.:** **US D915,001 S**  
(45) **Date of Patent:** **\*\* Mar. 30, 2021**

(54) **ANIMAL HARNESS**

FOREIGN PATENT DOCUMENTS

(71) Applicant: **SHARP KABUSHIKI KAISHA**, Sakai (JP)

JP D1073291 3/2000  
JP D1073491 3/2000

(Continued)

(72) Inventors: **Azusa Nakano**, Sakai (JP); **Hiroshi Sakaya**, Sakai (JP); **Tetsuya Hayashi**, Sakai (JP)

OTHER PUBLICATIONS

“YouTube—Original Sporn Halter Instructional Video.” Found online May 18, 2020 at [www.youtube.com](http://www.youtube.com). Video published Sep. 17, 2010. Retrieved from URL: [https://www.youtube.com/watch?v=VKvF70-j\\_zg&feature=emb\\_logo](https://www.youtube.com/watch?v=VKvF70-j_zg&feature=emb_logo) (Year: 2010).\*

(Continued)

(73) Assignee: **Sharp Kabushiki Kaisha**, Osaka (JP)

(\*\*) Term: **15 Years**

*Primary Examiner* — Mary Ann Calabrese

*Assistant Examiner* — Katelin G Kloberg

(21) Appl. No.: **29/663,232**

(74) *Attorney, Agent, or Firm* — Nixon & Vanderhye P.C.

(22) Filed: **Sep. 13, 2018**

(57) **CLAIM**

(30) **Foreign Application Priority Data**

The ornamental design for an animal harness, as shown and described.

Mar. 15, 2018 (JP) ..... 2018-005415

**DESCRIPTION**

(51) **LOC (13) Cl.** ..... **30-04**

(52) **U.S. Cl.**  
USPC ..... **D30/152**

(58) **Field of Classification Search**  
USPC ..... D6/144–146, 151–154, 199;  
D30/144–146, 151–154, 199  
CPC ..... A01K 27/002; A45F 3/047  
See application file for complete search history.

FIG. 1 is a front elevation view of an animal harness showing our new design in a closed configuration; FIG. 2 is a rear elevation view of the animal harness of FIG. 1; FIG. 3 is a top plan view of the animal harness of FIG. 1; FIG. 4 is a bottom plan view of the animal harness of FIG. 1; FIG. 5 is a right side elevation view of the animal harness of FIG. 1; FIG. 6 is a left side elevation view of the animal harness of FIG. 1; FIG. 7 is a top plan view, showing the animal harness of FIG. 1 in an opened configuration; and, FIG. 8 is a bottom plan view thereof. In FIG. 1-FIG. 8, the dotted lines represent boundaries and form no part of the claimed design and the evenly-spaced broken lines depict portions of the article that form no part of the claimed design.

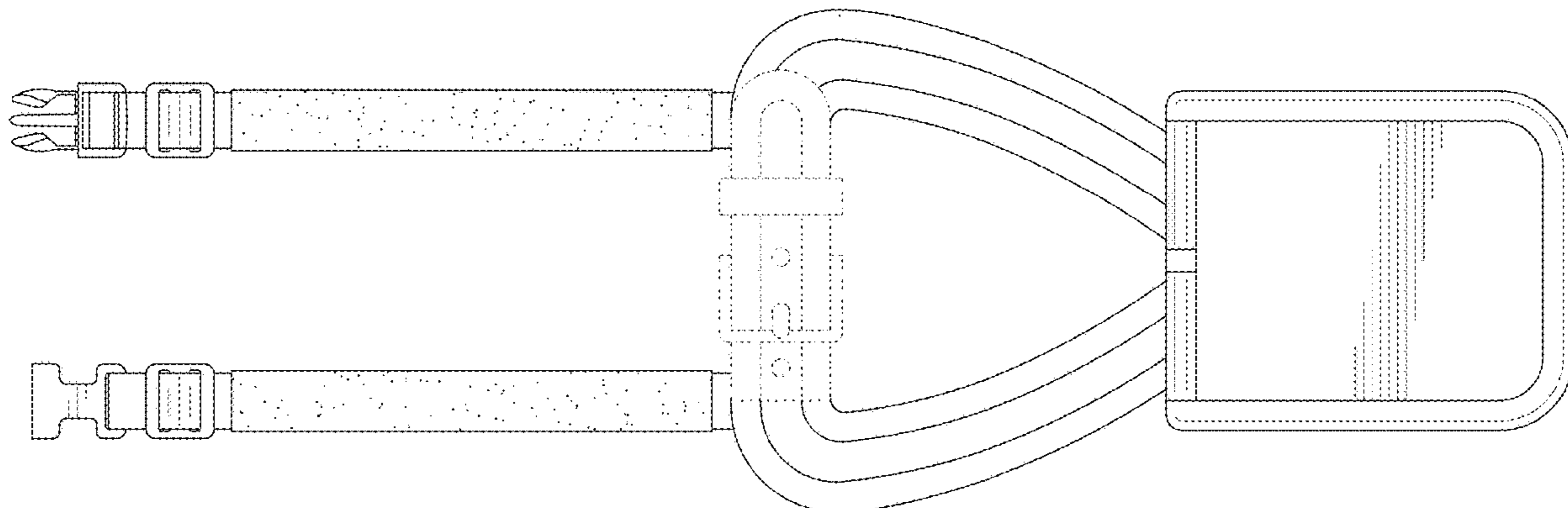
(56) **References Cited**

U.S. PATENT DOCUMENTS

6,450,130 B1 \* 9/2002 Goldberg ..... A01K 1/0263  
119/771  
6,595,156 B1 \* 7/2003 Curran ..... A01K 25/00  
119/792  
D585,606 S \* 1/2009 Kennedy ..... D30/144  
D591,011 S \* 4/2009 Madere ..... D30/144

(Continued)

**1 Claim, 6 Drawing Sheets**



(56)

References Cited

U.S. PATENT DOCUMENTS

7,757,641 B1 \* 7/2010 Worden ..... A01K 27/002  
 119/792  
 D632,850 S \* 2/2011 Light ..... D30/152  
 D652,581 S \* 1/2012 Evans ..... D30/152  
 D653,411 S \* 1/2012 Elliott ..... D30/144  
 D681,287 S \* 4/2013 Collignon ..... D30/144  
 9,038,574 B1 \* 5/2015 Brewton ..... A01K 27/006  
 119/858  
 D753,350 S \* 4/2016 Thitz ..... D30/144  
 9,332,734 B1 \* 5/2016 Hege ..... A01K 13/006  
 D833,089 S \* 11/2018 Stanek ..... D30/152  
 D833,688 S \* 11/2018 Stouder ..... D30/152  
 D850,022 S \* 5/2019 Stouder ..... D30/152  
 2006/0037562 A1 \* 2/2006 Woerner ..... A01K 27/002  
 119/856  
 2007/0187442 A1 \* 8/2007 Martin ..... A01K 7/00  
 224/148.2  
 2012/0060768 A1 \* 3/2012 Sandler ..... A01K 27/002  
 119/793  
 2014/0060453 A1 \* 3/2014 Shewfelt ..... A01K 27/002  
 119/770  
 2019/0183092 A1 \* 6/2019 Couse ..... A01K 11/006  
 2019/0200575 A1 \* 7/2019 van Dongen ..... A01K 27/002

FOREIGN PATENT DOCUMENTS

JP D1139758 3/2002  
 JP D1139759 3/2002  
 JP D1139760 3/2002

JP D1139761 3/2002  
 JP D1139781 3/2002  
 JP D115700 9/2002  
 JP D1219238 8/2004  
 JP D1295270 2/2007  
 JP D1322095 1/2008  
 JP D1412956 4/2011  
 JP D1421094 7/2011  
 JP D1450252 8/2012  
 JP D1568187 12/2016  
 JP D1615595 9/2018  
 JP D1622068 12/2018

OTHER PUBLICATIONS

“Adjustable Paracord Dog Harness.” Found online May 18, 2020 at [www.etsy.com](https://www.etsy.com/listing/508818480/adjustable-paracord-dog-harness-custom). Product reviewed Oct. 18, 2018. Retrieved from URL: <https://www.etsy.com/listing/508818480/adjustable-paracord-dog-harness-custom> (Year: 2018).\*

“Black Sherpa Chest and Girth Strap Cover.” Found online May 19, 2020 at [www.activedogs.com](http://www.activedogs.com). Product reviewed May 21, 2019. Retrieved from URL: <https://www.activedogs.com/product/2251/sherpa-strap-cover-black/> (Year: 2019).\*

“The Company of Animals HALTI No-Pull Harness.” Found online May 19, 2020 at [www.amazon.com](http://www.amazon.com). Product reviewed Apr. 27, 2019. Retrieved from URL: <https://www.amazon.com/Company-Animals-Harness-Pulling-Harnesses/dp/B07NSMFPMX?th=1> (Year: 2019).\*

Design U.S. Appl. No. 29/663,231, filed Sep. 13, 2018, entitled “Animal Harness”.

\* cited by examiner

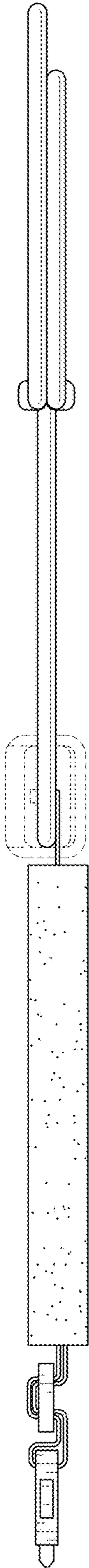


Fig. 1



Fig. 2

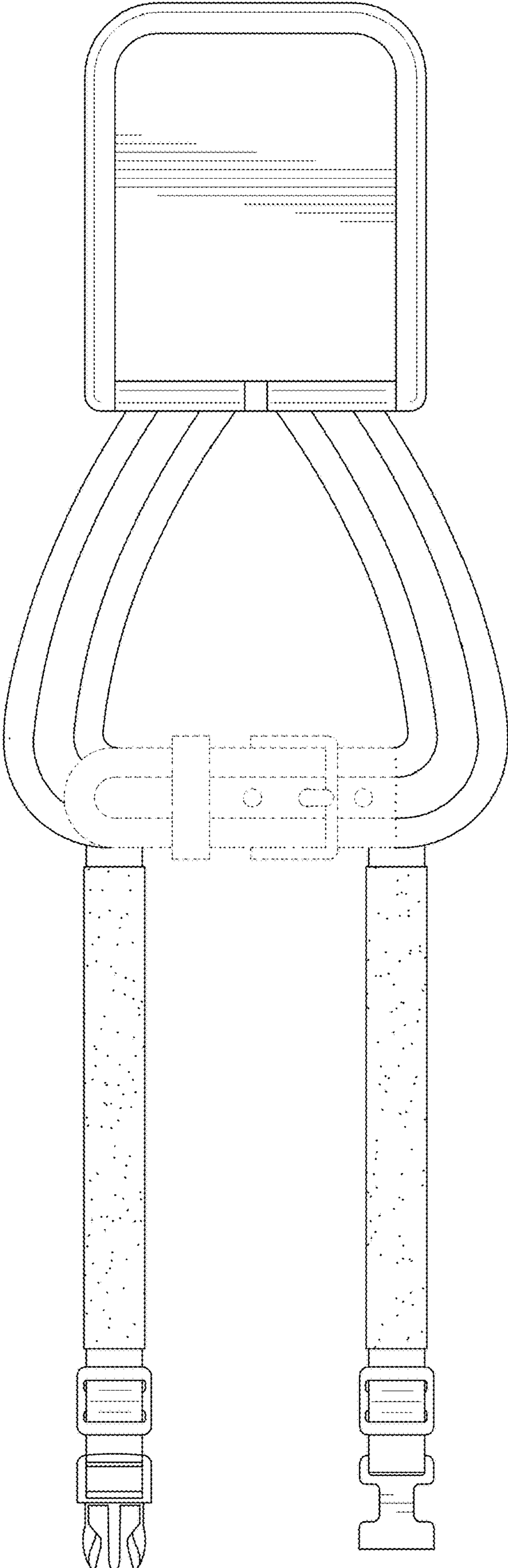


Fig. 3

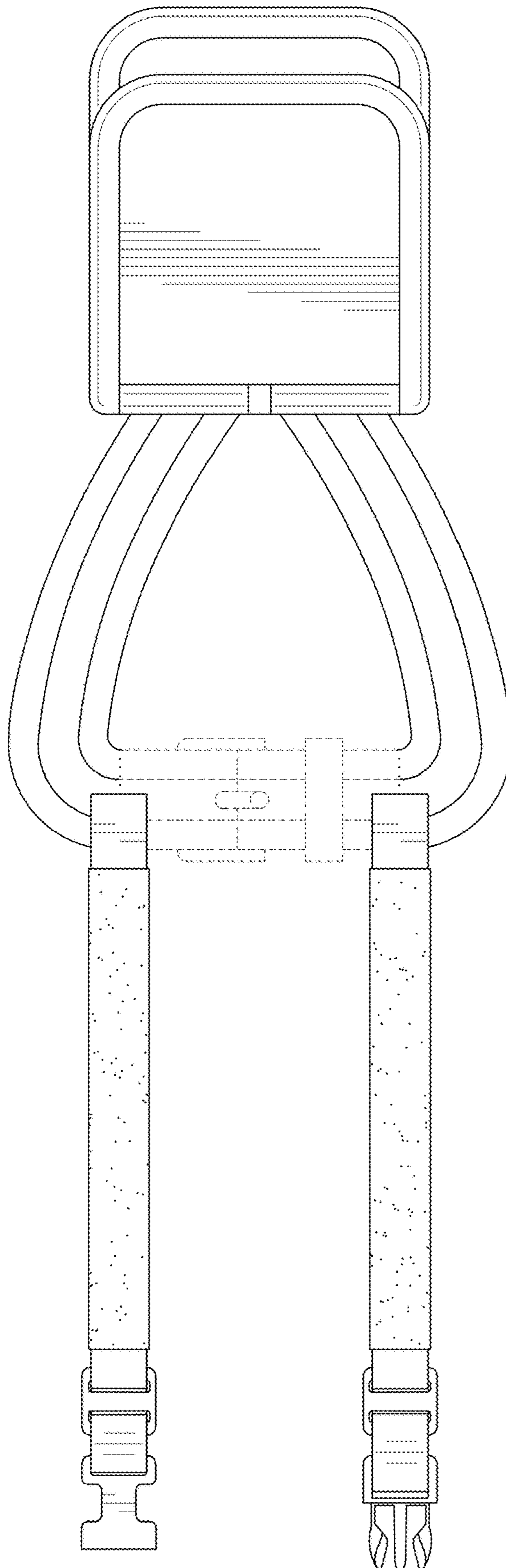


Fig. 4

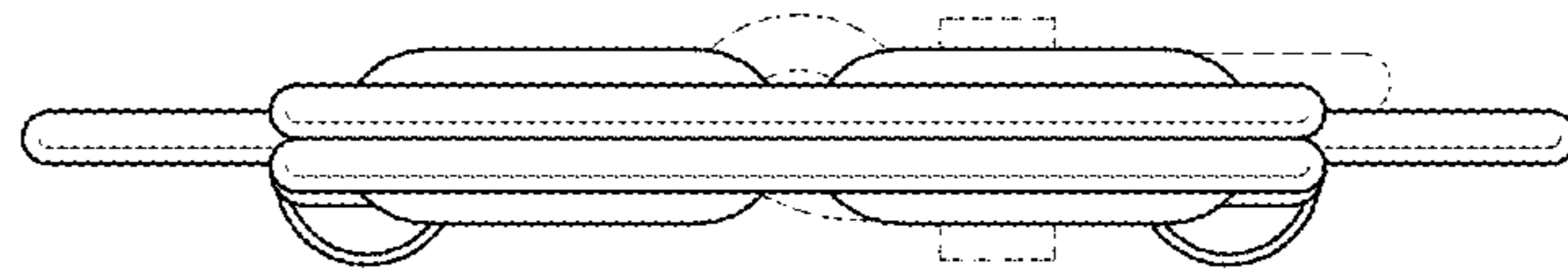


Fig. 5

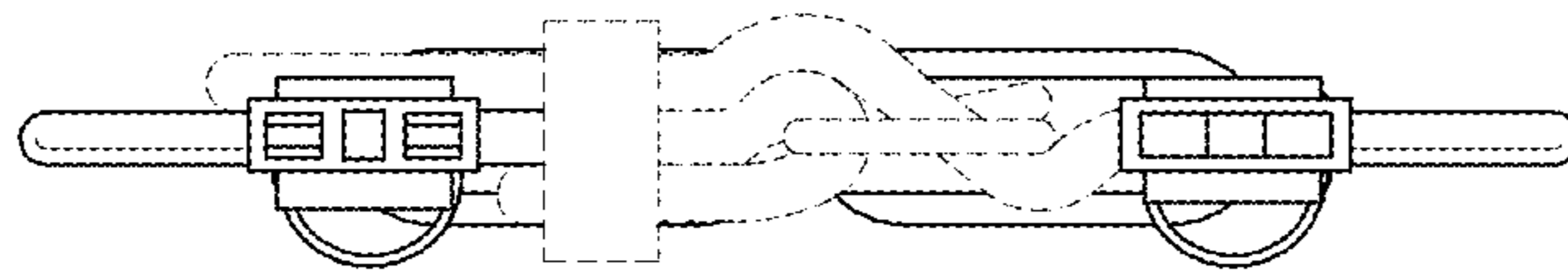


Fig. 6

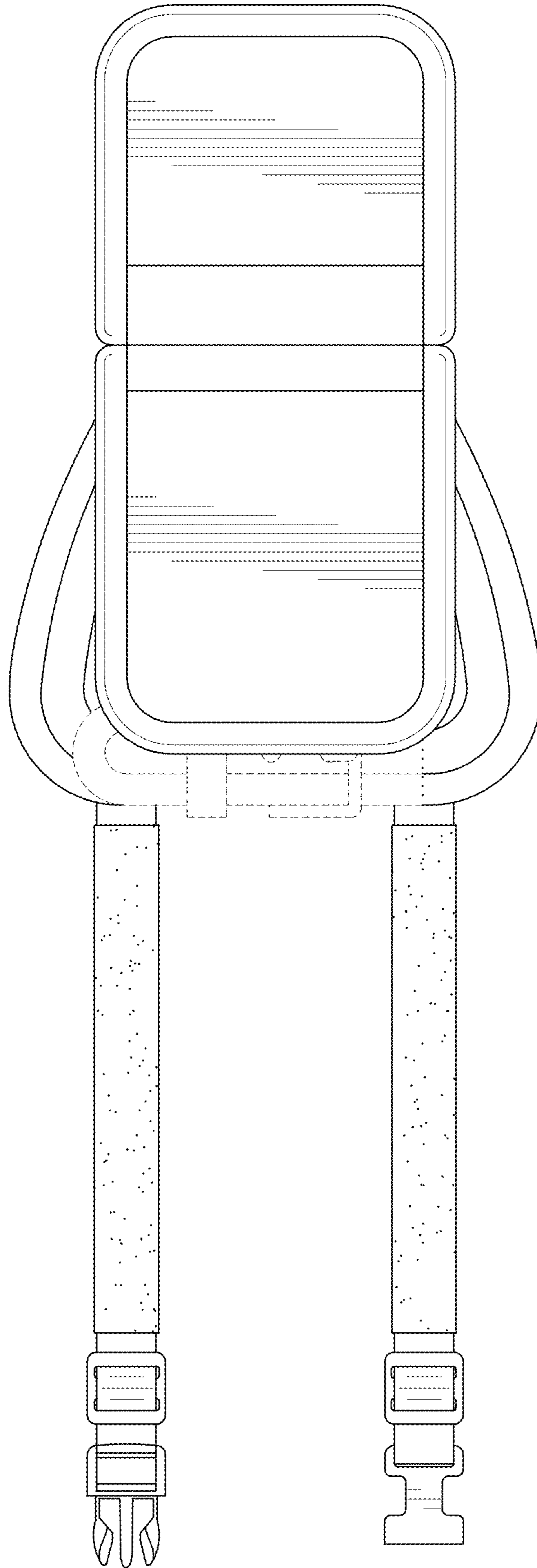


Fig. 7

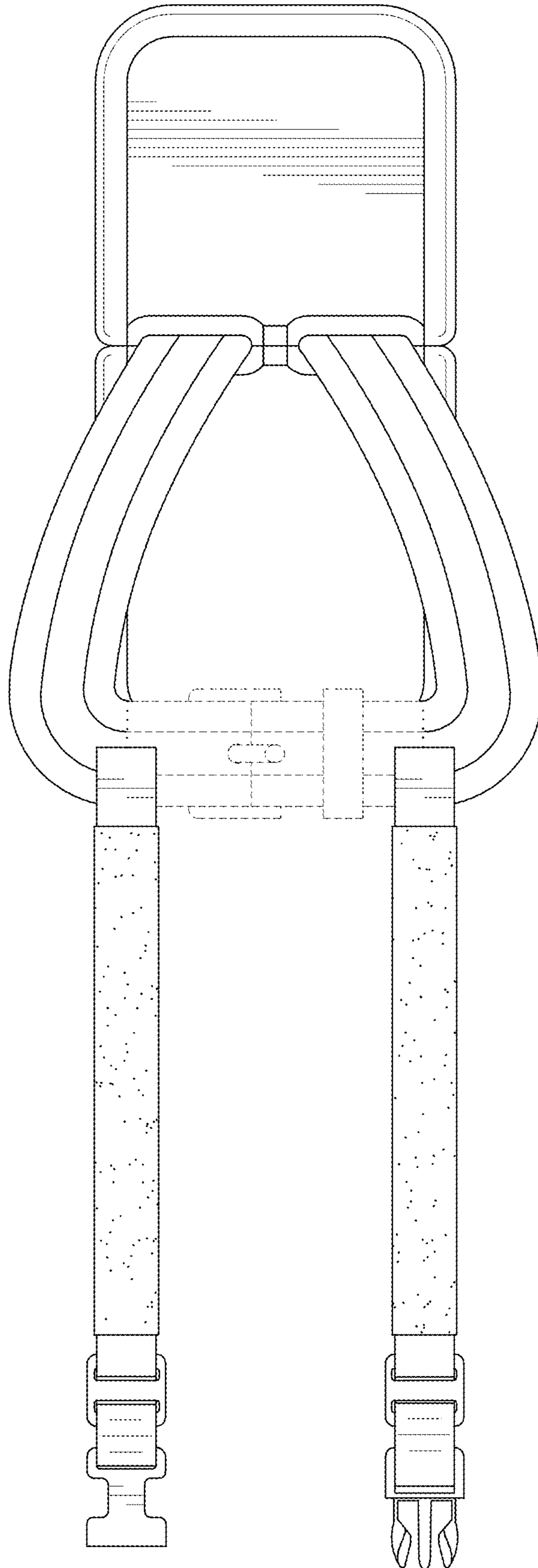


Fig. 8