



US00D915000S

(12) **United States Design Patent**
Huang et al.

(10) **Patent No.:** **US D915,000 S**
(45) **Date of Patent:** **** Mar. 30, 2021**

- (54) **SLOW FEEDER BOWL**
- (71) Applicant: **Shenzhen Huajie Technology Co., Ltd, Shenzhen (CN)**
- (72) Inventors: **Pei Huang, Shenzhen (CN); Zhijie Wang, Shenzhen (CN)**
- (**) Term: **15 Years**
- (21) Appl. No.: **29/753,256**
- (22) Filed: **Sep. 30, 2020**
- (51) **LOC (13) Cl.** **30-03**
- (52) **U.S. Cl.**
USPC **D30/130; D30/133; D30/121; D30/129**
- (58) **Field of Classification Search**
USPC **D30/133, 121, 128, 130, 132, 122, 129; 119/52.1, 55, 61.5-61.56, 51.01, 51.03, 119/59, 62, 63, 51.5, 57.8, 74, 61; D6/480-485; 248/188, 151; 312/204; 108/153.1-157, 25-26; 220/23.87, 630, 220/737, 743, 9.4, 495.01, 574, 212, 255, 220/23.83, 575; 206/515, 557, 560, 562, 206/563, 565; D7/586, 543, 550.1, 587, D7/505, 584, 545, 500, 553.1-553.8, 546, D7/555, 556, 504, 565, 562, 602, 507, D7/549, 558, 552.2, 560, 566, 548, 681; D9/429; 43/109; D22/122; 99/430, 99/DIG. 15**
CPC **A01K 5/00; A01K 5/01; A01K 5/0107; A01K 5/0114; A01K 5/0121; A01K 5/0128; A01K 5/0135; A01K 7/005**
See application file for complete search history.

D293,947 S	1/1988	Younker	
D294,531 S *	3/1988	Neunzig	D30/130
D300,068 S *	2/1989	Pritikin	D30/129
D326,542 S *	5/1992	Bain, Jr.	D30/129
D326,742 S *	6/1992	Tart	119/61.1
D336,555 S *	6/1993	Goetz	D30/131
D344,436 S *	2/1994	Walls	D7/553.4
D352,139 S *	11/1994	King	D30/130
D361,874 S *	8/1995	Keller	D1/124
D362,090 S *	9/1995	Baldwin	D30/130
D367,736 S *	3/1996	Goetz	D30/130
D370,748 S *	6/1996	Janis	D21/816
D379,684 S *	6/1997	Dennis	D30/130
6,209,487 B1 *	4/2001	Quinlan	A01K 5/0114 119/51.01

(Continued)

Primary Examiner — Susan Moon Lee
(74) *Attorney, Agent, or Firm* — W&K IP

(57) **CLAIM**

The ornamental design for a slow feeder bowl, as shown and described.

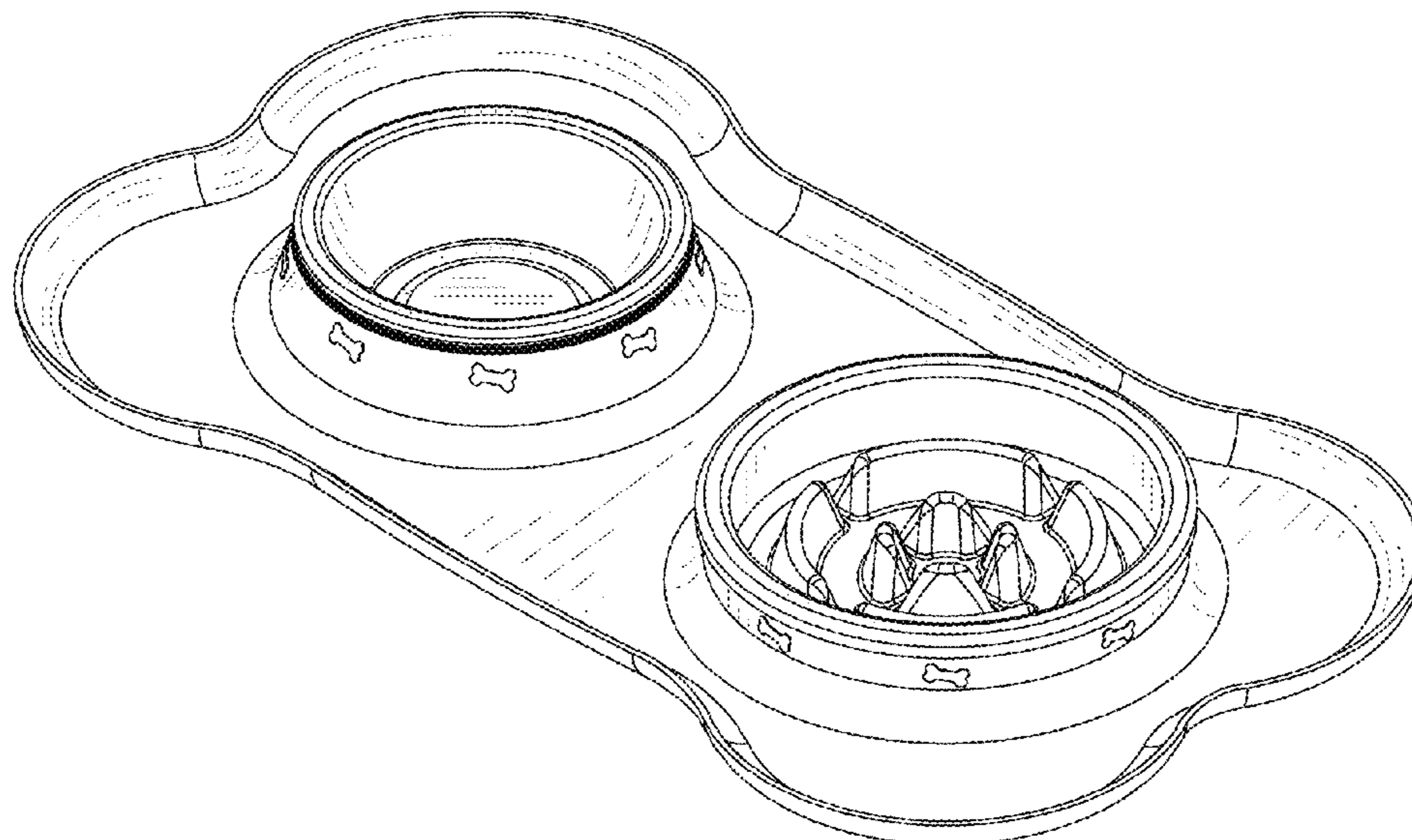
DESCRIPTION

FIG. 1 is a perspective view of a slow feeder bowl showing my new design;
 FIG. 2 is an exploded perspective view of a slow feeder bowl thereof;
 FIG. 3 is a perspective view of a slow feeder bowl in a folded state;
 FIG. 4 is a front view thereof
 FIG. 5 is a rear view thereof
 FIG. 6 is a left side view thereof
 FIG. 7 is a right side view thereof
 FIG. 8 is a top plan view thereof;
 FIG. 9 is a bottom plan view thereof;
 FIG. 10 is an enlarged view of the bone detail portion of the slow feeder bowl indicated in FIG. 2; and,
 FIG. 11 is an enlarged view of the bone detail portion of the slow feeder bowl indicated in FIG. 2.

1 Claim, 11 Drawing Sheets

(56) **References Cited**
U.S. PATENT DOCUMENTS

D193,071 S *	6/1962	Chadbourne	D9/425
D229,073 S *	11/1973	Brickel	D30/130
D259,669 S *	6/1981	Peterson	D30/130



(56)

References Cited

U.S. PATENT DOCUMENTS

6,427,626	B1 *	8/2002	Quinlan	A01K 5/0128	119/51.01
D466,655	S *	12/2002	Zelinger	D30/129	
D487,823	S *	3/2004	Wang	D30/118	
D512,539	S *	12/2005	Brunes	D30/130	
D512,801	S *	12/2005	Kratzer	D30/130	
D521,690	S *	5/2006	Krcek	D30/133	
D541,488	S *	4/2007	Marsh	D30/130	
D551,400	S *	9/2007	Tsengas	D30/133	
D553,305	S *	10/2007	Willinger	D30/133	
D563,607	S *	3/2008	Northrop	D30/129	
D563,608	S *	3/2008	Kitchen	A01K 5/0114	D30/129
D569,560	S *	5/2008	Greenan	D30/129	
D587,970	S *	3/2009	Zack	D7/541	
D590,109	S *	4/2009	Anderson	D30/129	
D600,861	S *	9/2009	Sin	D30/129	
D604,463	S *	11/2009	Pittman	D30/118	
D623,362	S *	9/2010	Man	D30/133	
D627,109	S *	11/2010	Man	D30/133	
D632,032	S *	2/2011	Glance	D30/199	
7,992,714	B1 *	8/2011	Devault	A47G 19/10	206/564
D654,230	S *	2/2012	Tedaldi	D30/129	
D659,297	S *	5/2012	Stygstra	D30/130	
D659,913	S *	5/2012	Spectre	D30/130	
D686,784	S *	7/2013	Elliott et al.			
D687,192	S *	7/2013	Grist	D30/129	
D699,009	S *	2/2014	Hansen	D30/121	
D702,076	S *	4/2014	Endres	D7/357	
D702,077	S *	4/2014	Endres	D7/357	
D702,484	S *	4/2014	Endres	D7/357	
D702,485	S *	4/2014	Endres	D7/357	
D709,247	S *	7/2014	Gailen	D30/121	
D722,407	S *	2/2015	Roslonski	D30/130	
D724,278	S *	3/2015	Avalos Sartorio	D30/130	
D725,836	S *	3/2015	Avalos Sartorio	D30/129	
D727,576	S *	4/2015	Avalos Sartorio	D30/129	
D741,024	S *	10/2015	Liu	D30/129	
D751,773	S *	3/2016	Gailen	D30/121	
D766,659	S *	9/2016	Laurain	D7/506	
D766,660	S *	9/2016	Laurain	D7/506	
D782,749	S *	3/2017	Michizoe	D30/129	
D797,383	S *	9/2017	Peninger	D30/133	
D807,705	S *	1/2018	Laurain	D7/555	
D811,666	S *	2/2018	Lopez	D30/133	
D818,205	S *	5/2018	Curiel	D30/118	
9,992,972	B2 *	6/2018	Avila	A01M 1/02	
D823,553	S *	7/2018	Liu	D30/130	
D824,119	S *	7/2018	Yang	D30/130	
D830,007	S *	10/2018	Harris	D30/129	
D850,858	S *	6/2019	Roaks	D7/555	
10,349,623	B1 *	7/2019	Stygstra	A01K 5/00	
D857,307	S *	8/2019	Miyawaki	D30/129	
D861,995	S *	10/2019	Lentz	D30/121	
D869,781	S *	12/2019	Han	D30/130	
D873,502	S *	1/2020	MacNeil	D30/130	
D882,880	S *	4/2020	Levin	D30/121	
D882,882	S *	4/2020	MacNeil	D30/133	
D885,687	S *	5/2020	Daymont	D30/129	
D895,216	S *	9/2020	Becattini, Jr.	D30/129	
D897,050	S *	9/2020	Wang	D30/121	
D901,094	S *	11/2020	White	D30/129	
D903,958	S *	12/2020	Etherton	A01K 7/005	D30/199
D908,978	S *	1/2021	Wu	D30/130	
2002/0185073	A1 *	12/2002	Fullerton	A01K 15/02	119/51.01
2003/0037732	A1 *	2/2003	Quinlan	A01K 5/0114	119/51.01
2004/0237901	A1 *	12/2004	Willinger	A01K 5/0135	119/61.54
2005/0039689	A1 *	2/2005	Mossmer	A01K 5/0128	119/61.5
2005/0115508	A1 *	6/2005	Little	A01K 5/0114	119/61.5
2005/0235919	A1 *	10/2005	Willinger	A01K 5/0114	119/61.5
2006/0005774	A1 *	1/2006	Newman Bornhofen	A01K 5/0135	119/61.5
2006/0196436	A1 *	9/2006	Nichols	A01K 5/0114	119/61.53
2006/0213447	A1 *	9/2006	Kitchen	A01K 5/0114	119/61.5
2006/0272588	A1 *	12/2006	Decroix	A01K 5/0114	119/61.5
2008/0053374	A1 *	3/2008	Kerrigan	A01K 5/0114	119/51.03
2008/0072829	A1 *	3/2008	Kerrigan	A01K 5/0114	119/61.5
2008/0141945	A1 *	6/2008	Markham	A01K 5/0114	119/61.5
2009/0126641	A1 *	5/2009	Anderson	A01K 5/0114	119/61.5
2010/0012042	A1 *	1/2010	Lee	A01K 7/00	119/61.5
2011/0253054	A1 *	10/2011	Hargrove	A01K 5/0114	119/61.54
2012/0174874	A1 *	7/2012	Ottosson	A01K 15/025	119/707
2012/0186497	A1 *	7/2012	Spano	A01K 5/0135	108/26
2012/0227668	A1 *	9/2012	Aycock	A01K 5/0142	119/51.02
2012/0273384	A1 *	11/2012	Jaswal	B65D 1/36	206/563
2013/0125823	A1 *	5/2013	Simon	A01K 5/0114	119/61.5
2014/0060442	A1 *	3/2014	Ressemann	A01K 13/00	119/61.5
2014/0076240	A1 *	3/2014	Tsengas	A01K 5/0114	119/61.5
2014/0158054	A1 *	6/2014	Clarke	A01K 5/00	119/51.01
2014/0299727	A1 *	10/2014	Wendling	F16M 13/00	248/176.1
2015/0068461	A1 *	3/2015	Lindskov	A01K 5/00	119/51.01
2016/0073805	A1 *	3/2016	Laurain	A47G 19/10	220/575
2016/0255813	A1 *	9/2016	Wolfe, Jr.	A01K 5/00	
2017/0071155	A1 *	3/2017	Gailen	A47J 47/005	
2017/0086423	A1 *	3/2017	Wall	A01K 5/0135	
2017/0112092	A1 *	4/2017	Simon	A01K 5/0114	
2018/0132448	A1 *	5/2018	Rodriguez	A01K 15/026	
2018/0177154	A1 *	6/2018	Etherton	A01K 7/02	
2018/0288965	A1 *	10/2018	Berry	A01K 5/0107	
2018/0343826	A1 *	12/2018	Kumar	A01K 5/0135	
2018/0368594	A1 *	12/2018	Hakim	F16B 47/00	
2019/0281789	A1 *	9/2019	Padia	A01K 7/005	

* cited by examiner

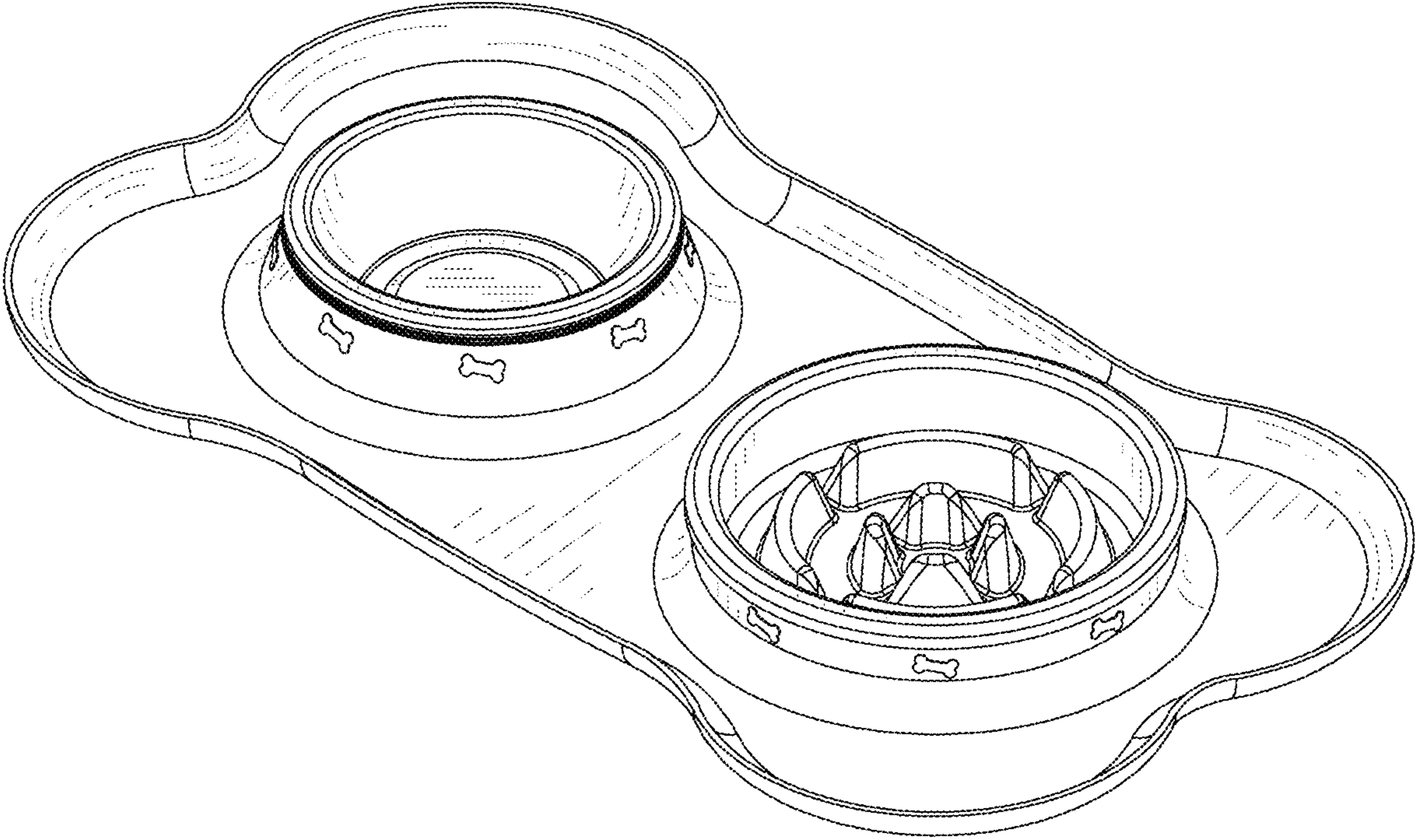


FIG.1

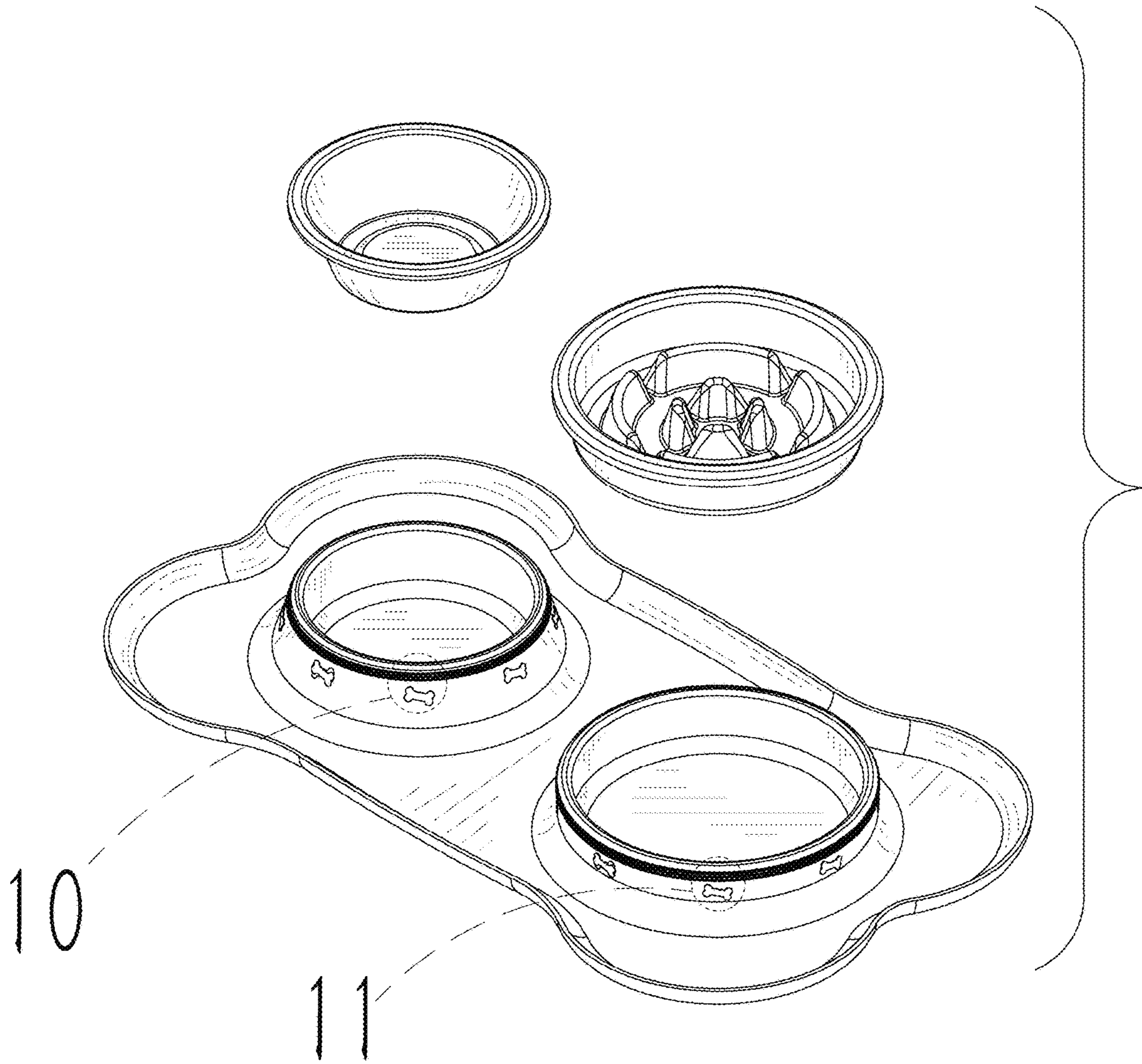


FIG. 2

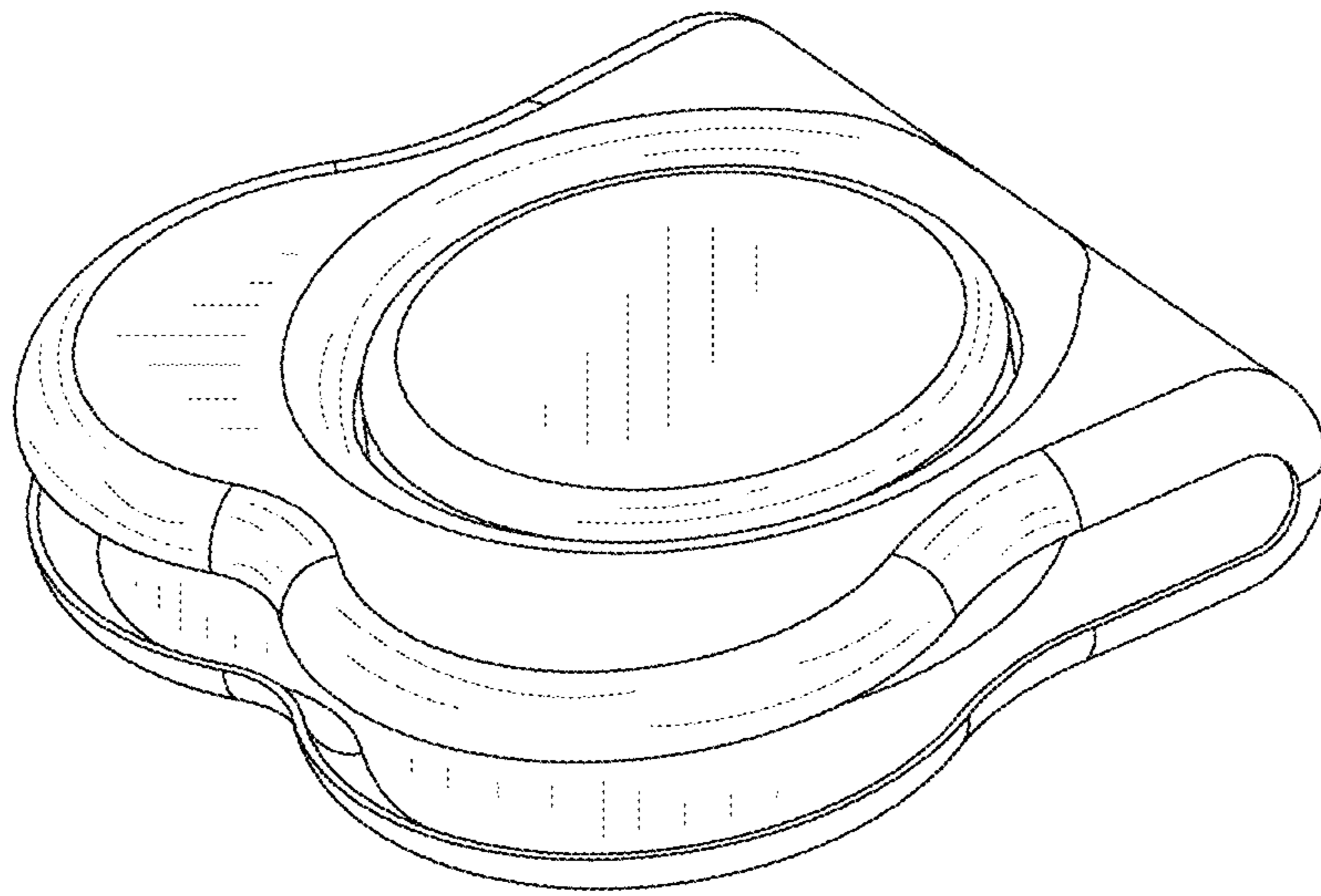


FIG. 3

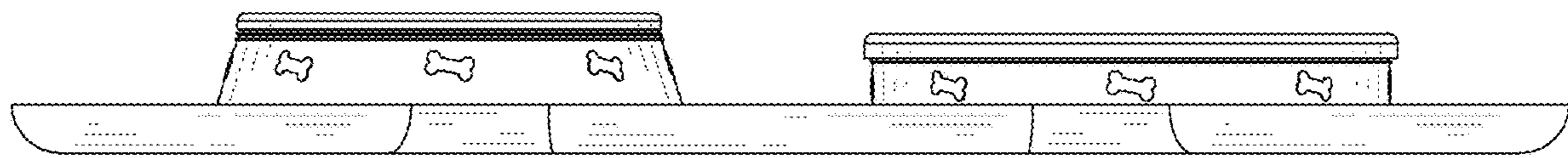


FIG. 4

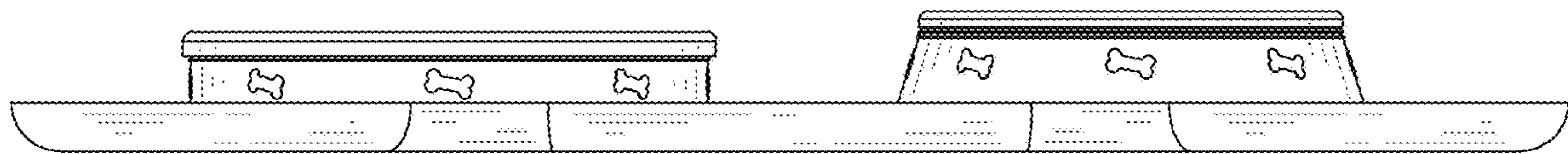


FIG. 5

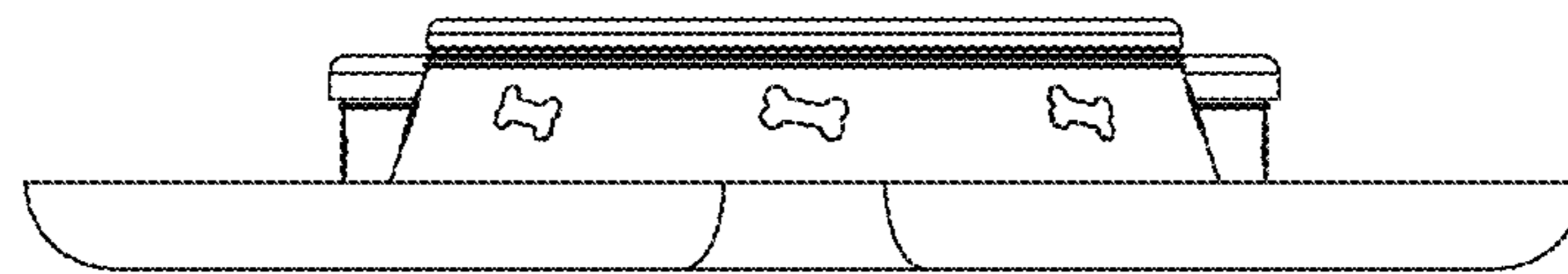


FIG. 6

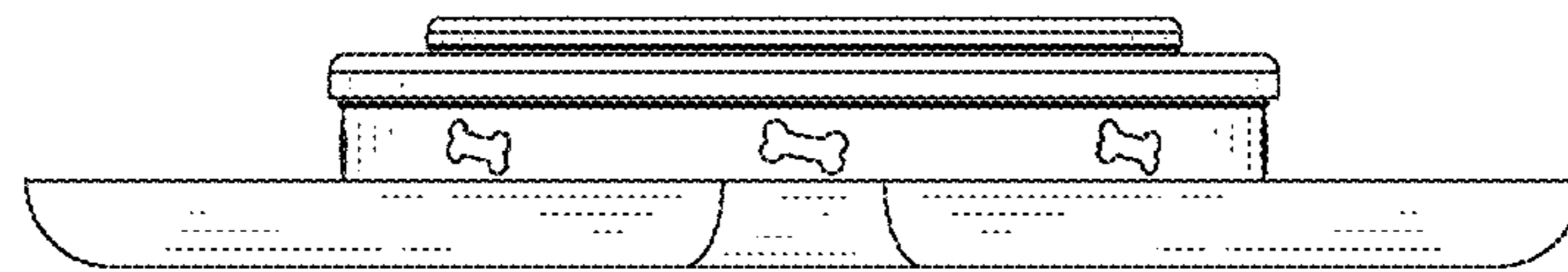


FIG. 7

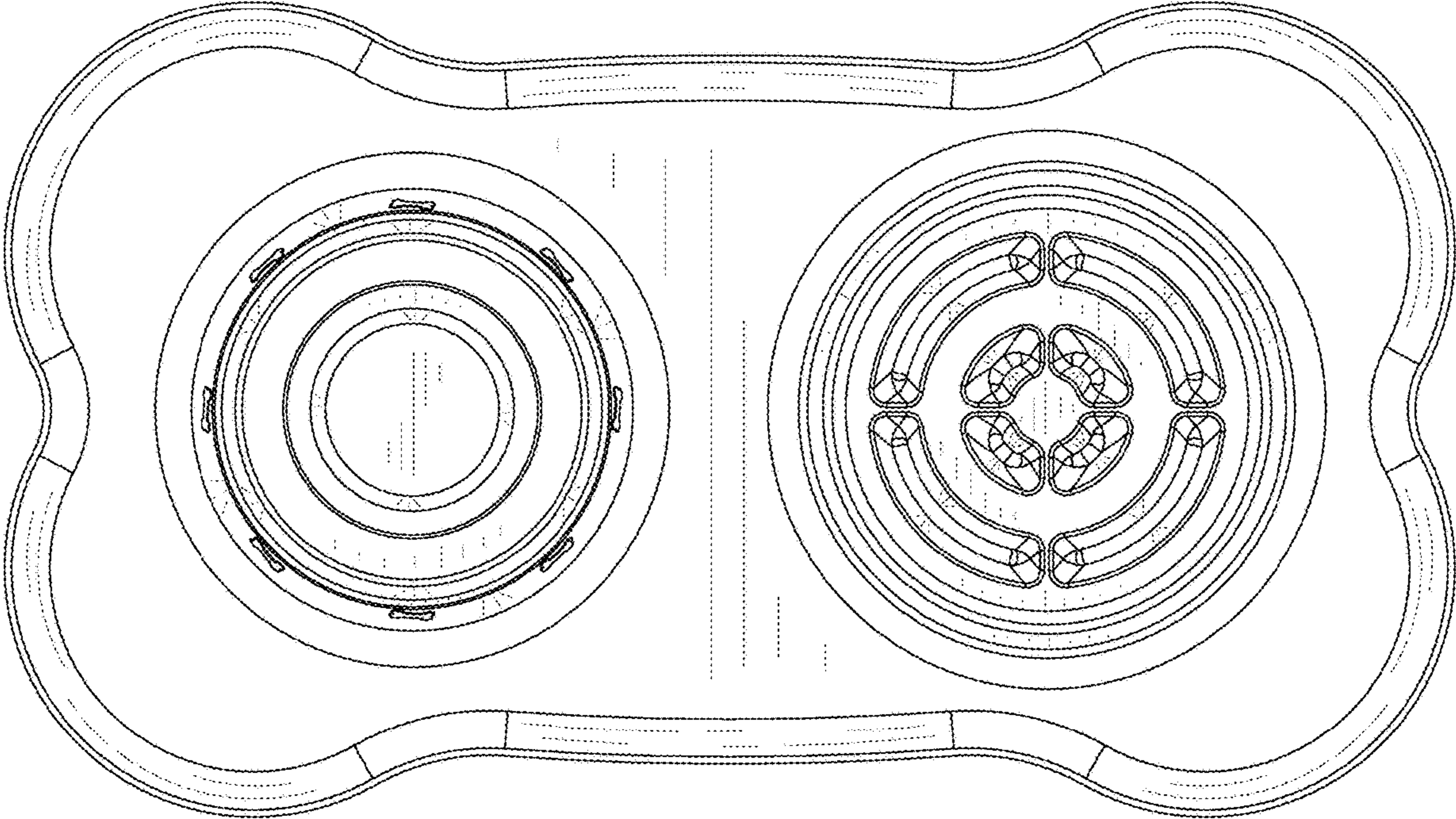


FIG. 8

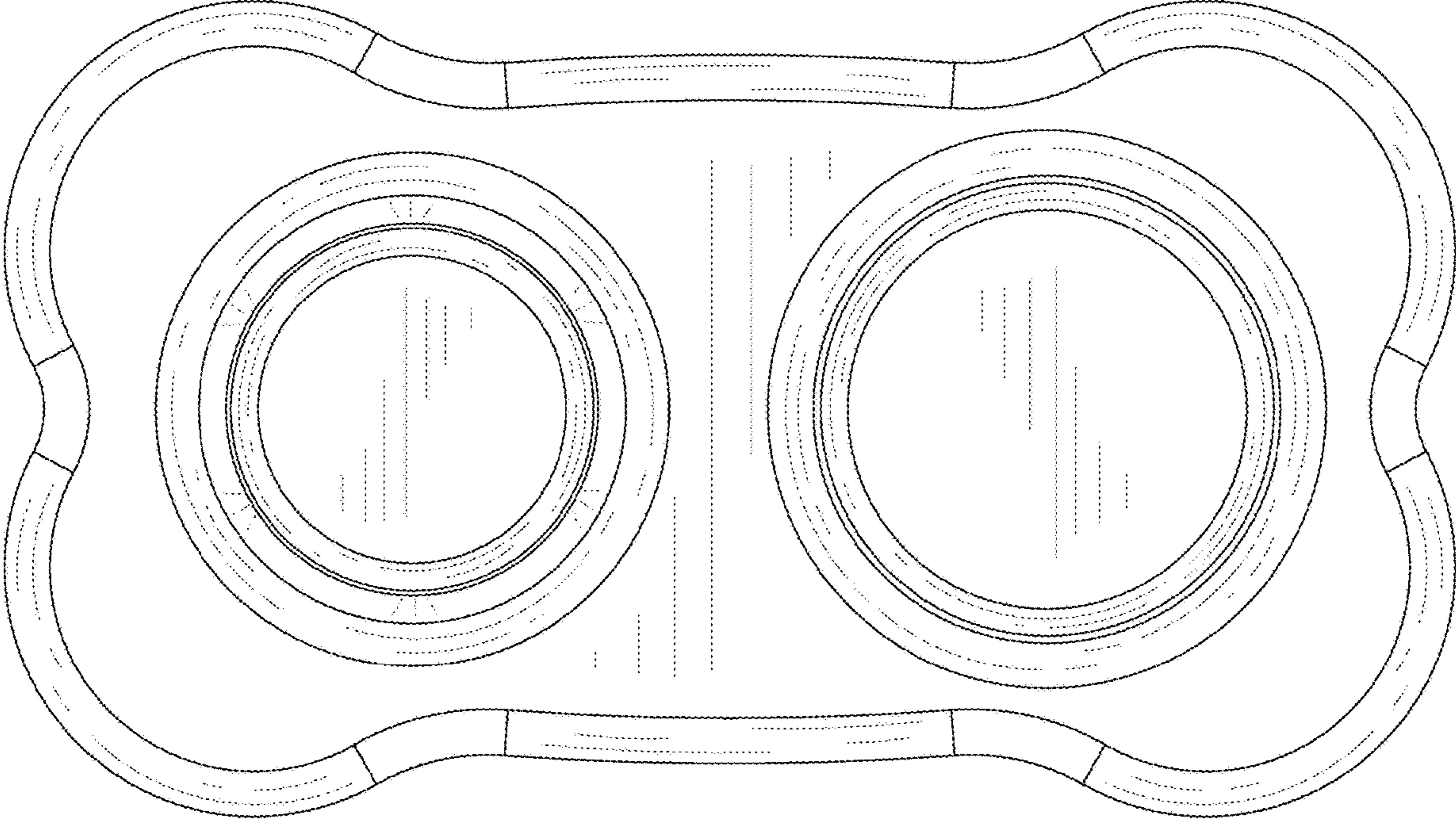


FIG. 9

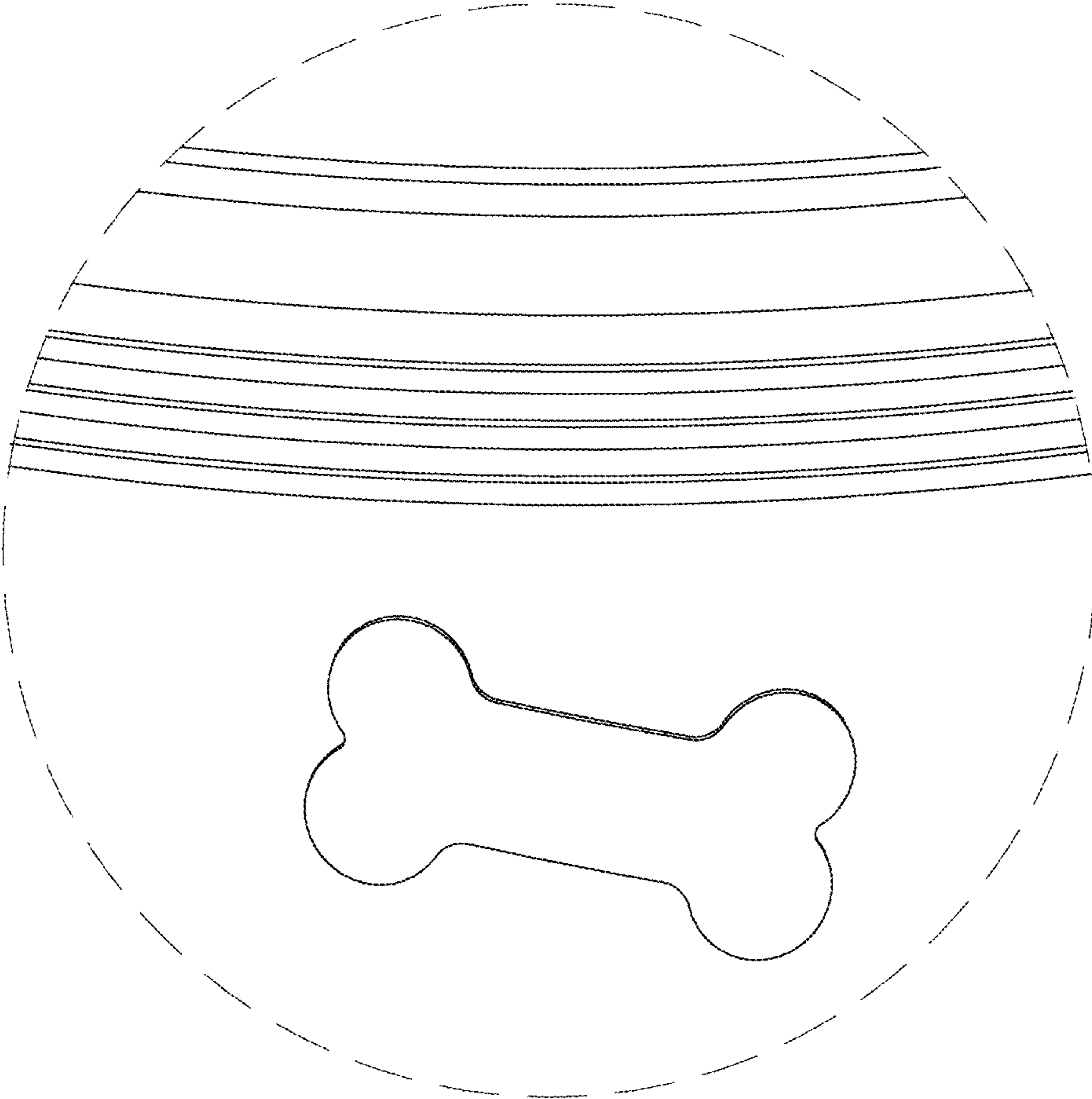


FIG10

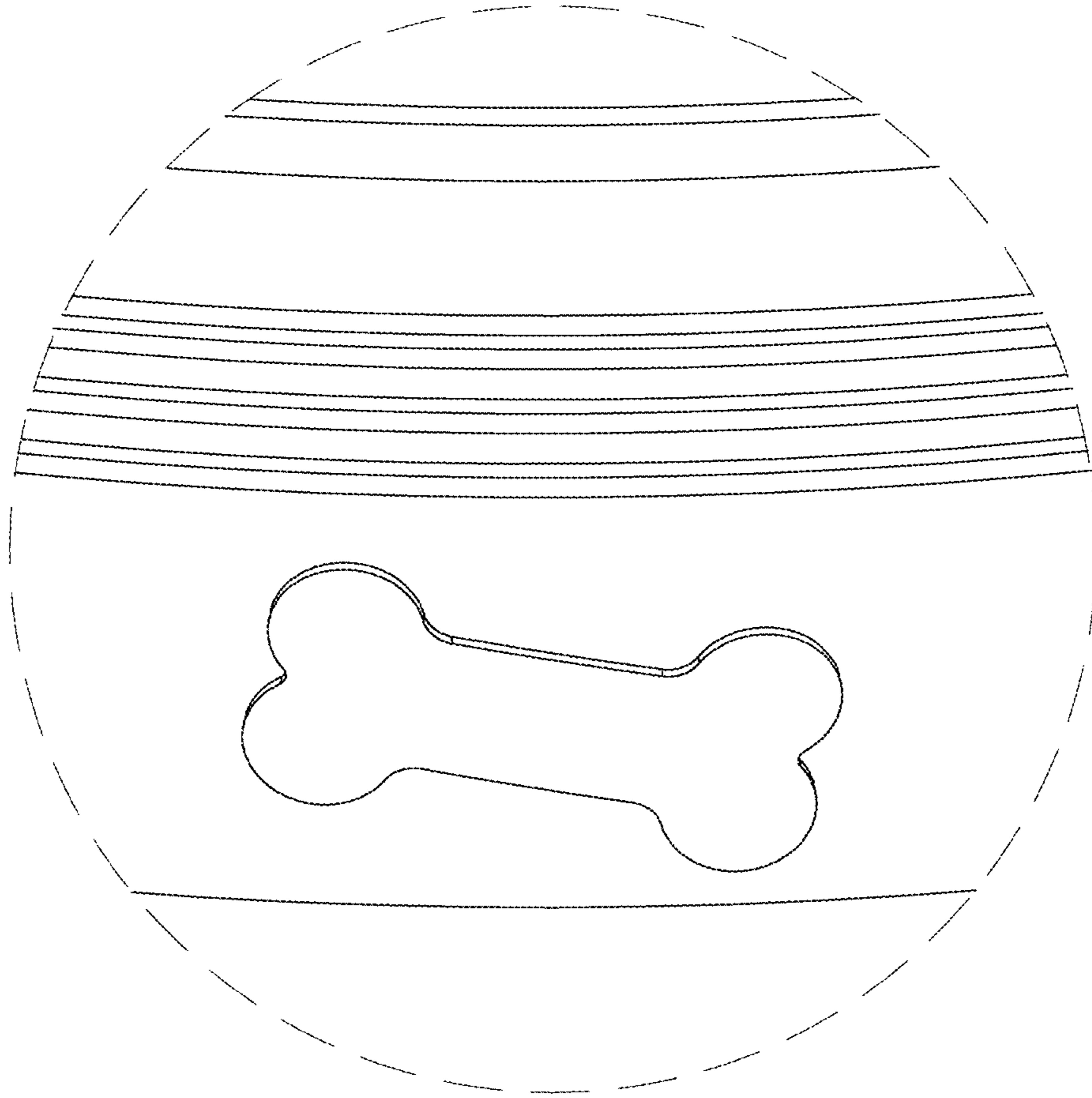


FIG.11