



US00D914998S

(12) **United States Design Patent**  
**Fan**

(10) **Patent No.:** **US D914,998 S**

(45) **Date of Patent:** **\*\* Mar. 30, 2021**

- (54) **PET FLOATING BOWL**
- (71) Applicant: **Funa Fan**, Guangdong (CN)
- (72) Inventor: **Funa Fan**, Guangdong (CN)
- (\*\*) Term: **15 Years**
- (21) Appl. No.: **29/750,191**
- (22) Filed: **Sep. 11, 2020**
- (51) **LOC (13) Cl.** ..... **30-03**
- (52) **U.S. Cl.**  
USPC ..... **D30/129**
- (58) **Field of Classification Search**  
USPC .... D30/121, 122, 129–133; 119/61.5, 51.01, 119/61.56, 51.03, 59, 62, 63, 51.5, 57.8, 119/74, 61.54, 61.55, 61; 312/204; 248/151, 188; 108/156, 153.1–157; 220/23.87, 630, 737, 743, 9.4, 495.01, 220/574, 212, 255, 23.83, 575; 206/515; D7/586, 543, 550.1, 587, 505, 584, 545, D7/500, 553.1–553.8, 546, 555, 556, 504, D7/565, 562, 602, 507, 549, 558, 552.2, D7/560, 566, 548, 681; D9/429; 43/109; D22/122; 99/430, DIG. 15  
CPC ..... A01K 5/01–0142; A01K 7/005  
See application file for complete search history.

- D498,564 S \* 11/2004 Northrop ..... D30/121
- D563,606 S \* 3/2008 Hood ..... D30/129
- D600,862 S \* 9/2009 Sin ..... D30/129
- D606,278 S \* 12/2009 Kerr ..... D1/107
- D622,028 S \* 8/2010 Kerr ..... D1/107
- 7,856,944 B1 \* 12/2010 Stauffer ..... A01K 5/0114  
119/61.5
- D650,147 S \* 12/2011 Kerr ..... D1/106
- D659,296 S \* 5/2012 Anderson ..... D30/129
- 8,397,674 B2 \* 3/2013 Lipscomb ..... A01K 5/0142  
119/54
- D684,733 S \* 6/2013 Altoon ..... D30/161
- D687,616 S \* 8/2013 Smith ..... D1/107
- D697,691 S \* 1/2014 Kerr ..... D1/199
- D697,692 S \* 1/2014 Kerr ..... D1/199
- 8,631,763 B2 \* 1/2014 Lipscomb ..... A01K 5/0114  
119/54
- D724,274 S \* 3/2015 Ylisassi ..... D30/129
- D725,317 S \* 3/2015 Avalos Sartorio ..... D30/129

(Continued)

*Primary Examiner* — Susan Moon Lee  
(74) *Attorney, Agent, or Firm* — ScienBiziP, P.C.

(57) **CLAIM**

The ornamental design for a pet floating bowl, as shown and described.

**DESCRIPTION**

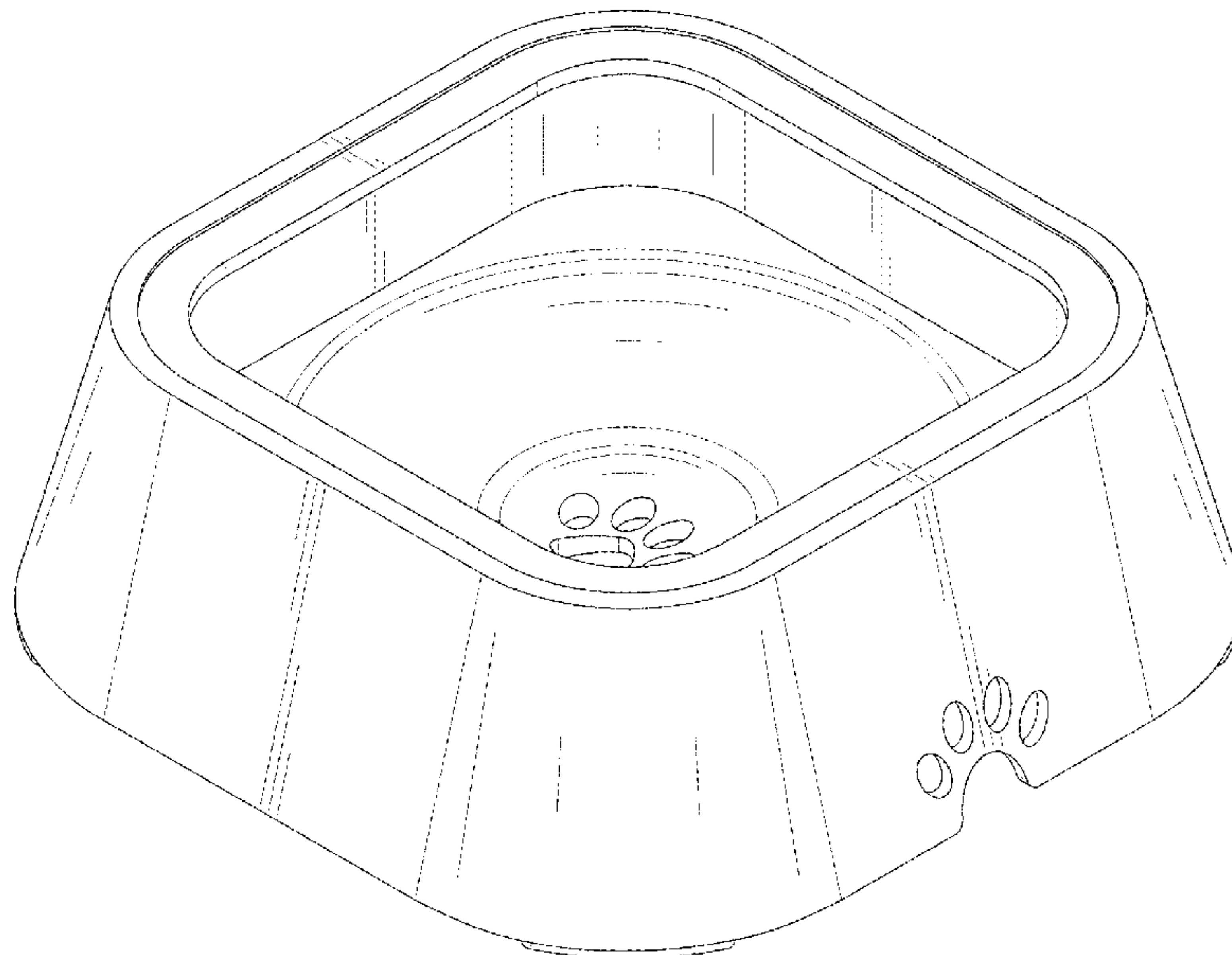
FIG. 1 is a top perspective view of a pet floating bowl, showing my design.  
 FIG. 2 is a bottom perspective view thereof.  
 FIG. 3 is a front elevation view thereof.  
 FIG. 4 is a rear elevation view thereof.  
 FIG. 5 is a left side elevation view thereof.  
 FIG. 6 is a right side elevation view thereof.  
 FIG. 7 is a top plan view thereof; and,  
 FIG. 8 is a bottom plan view thereof.  
 The broken lines in the drawings depict environmental structure and boundaries and form no part of the claimed design.

**1 Claim, 8 Drawing Sheets**

(56) **References Cited**

**U.S. PATENT DOCUMENTS**

- D221,099 S \* 7/1971 Alparone ..... D7/584
- 3,671,008 A \* 6/1972 Villalba, Jr. .... A22C 7/0046  
249/155
- D304,536 S \* 11/1989 Blaser ..... D7/584
- 6,112,698 A \* 9/2000 Zelinger ..... A01K 5/0135  
119/61.54
- D449,137 S \* 10/2001 Newman ..... D30/129
- D458,419 S \* 6/2002 Ross ..... D30/129
- D459,841 S \* 7/2002 Ross ..... D30/129



# US D914,998 S

Page 2

(56)

## References Cited

### U.S. PATENT DOCUMENTS

8,997,691 B2 *	4/2015	Lipscomb	.....	A01K 5/0142	119/54
8,997,692 B2 *	4/2015	Lipscomb	.....	A01K 5/0114	119/54
D741,024 S *	10/2015	Liu	.....	D30/129	
D776,368 S *	1/2017	Avalos Sartorio	.....	D30/118	
D788,380 S *	5/2017	Krueger	.....	D30/124	
D796,953 S *	9/2017	Katopis	.....	D9/451	
D820,528 S *	6/2018	Warwarick	.....	D30/129	
D821,039 S *	6/2018	Owens, III	.....	D30/129	
D825,865 S *	8/2018	Abbey	.....	D30/129	
D853,053 S *	7/2019	O'Donnell	.....	A01K 15/025	D30/129
D867,070 S *	11/2019	Woods	.....	D7/559	
D868,391 S *	11/2019	Townsend	.....	D30/129	
D884,288 S *	5/2020	O'Donnell	.....	D30/129	
D885,687 S *	5/2020	Daymont	.....	D30/129	
D889,049 S	6/2020	Chen et al.			
D891,005 S	7/2020	Liu			
10,716,288 B2 *	7/2020	O'Donnell	.....	A01K 5/0114	
D897,051 S *	9/2020	Kerr	.....	D30/129	
2005/0039689 A1 *	2/2005	Mossmer	.....	A01K 5/0128	119/61.5
2005/0127073 A1 *	6/2005	Kusuma	.....	B65D 21/086	220/6
2006/0196436 A1 *	9/2006	Nichols	.....	A01K 5/0114	119/61.53
2012/0227668 A1 *	9/2012	Aycock	.....	A01K 5/0142	119/51.02
2013/0125823 A1 *	5/2013	Simon	.....	A01K 5/0114	119/61.5
2013/0291802 A1 *	11/2013	Carpentieri	.....	A01K 7/027	119/72
2014/0076240 A1 *	3/2014	Tsengas	.....	A01K 5/0114	119/61.5
2017/0112092 A1 *	4/2017	Simon	.....	A01K 5/0114	
2018/0132448 A1 *	5/2018	Rodriguez	.....	A01K 15/026	
2018/0343826 A1 *	12/2018	Kumar	.....	A01K 5/0135	
2018/0368368 A1 *	12/2018	Matsubara	.....	A01K 15/026	

\* cited by examiner

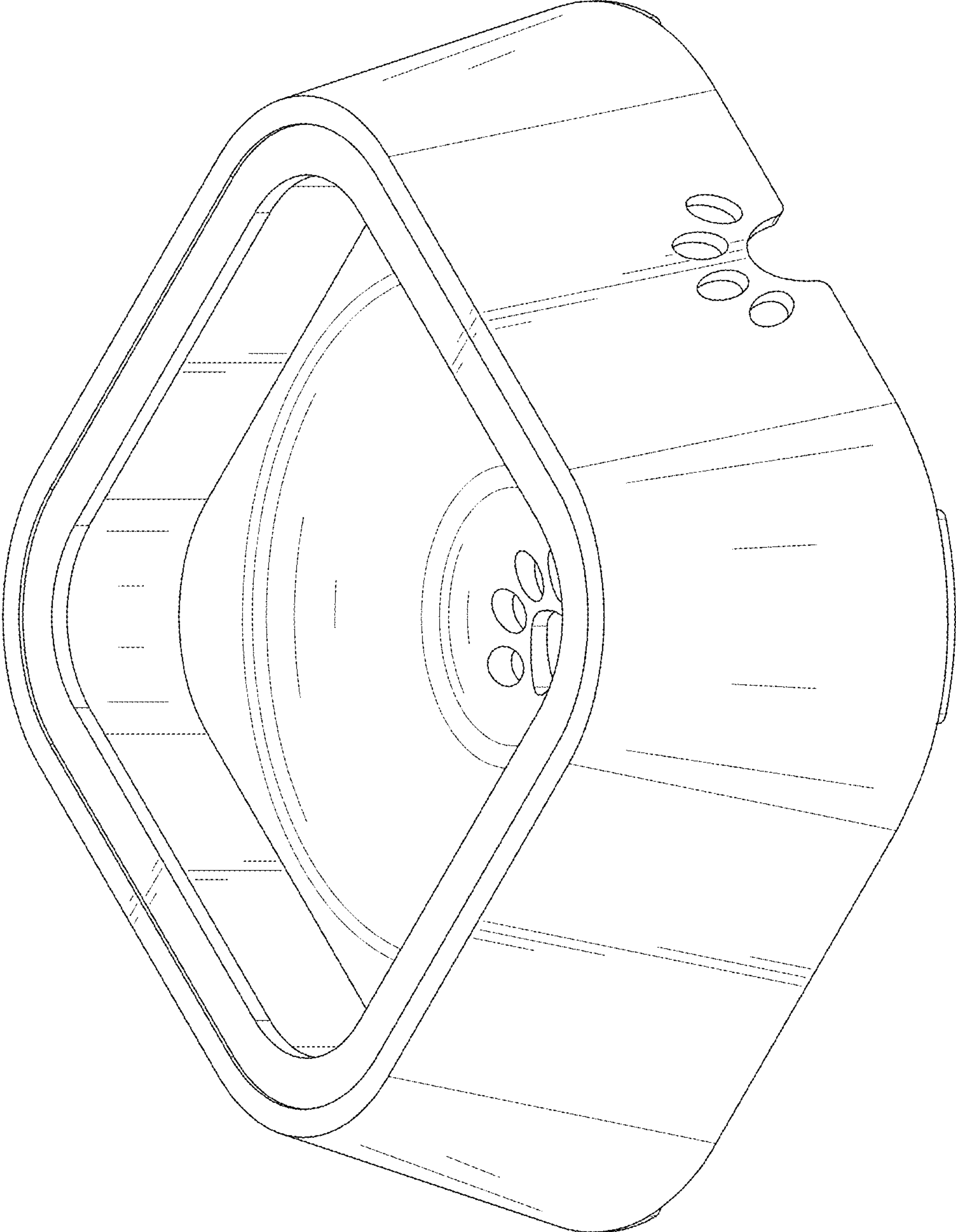


FIG.1

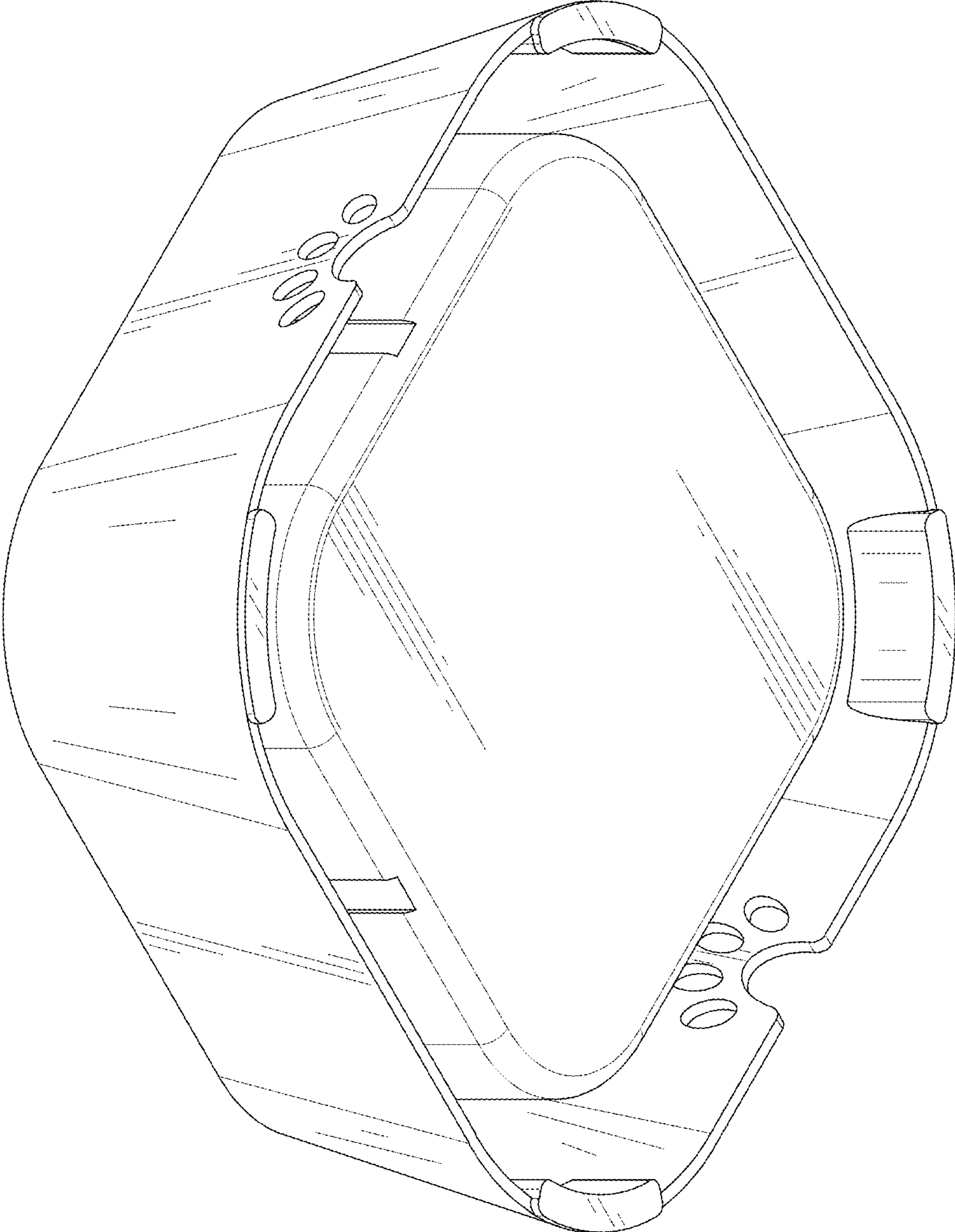


FIG.2



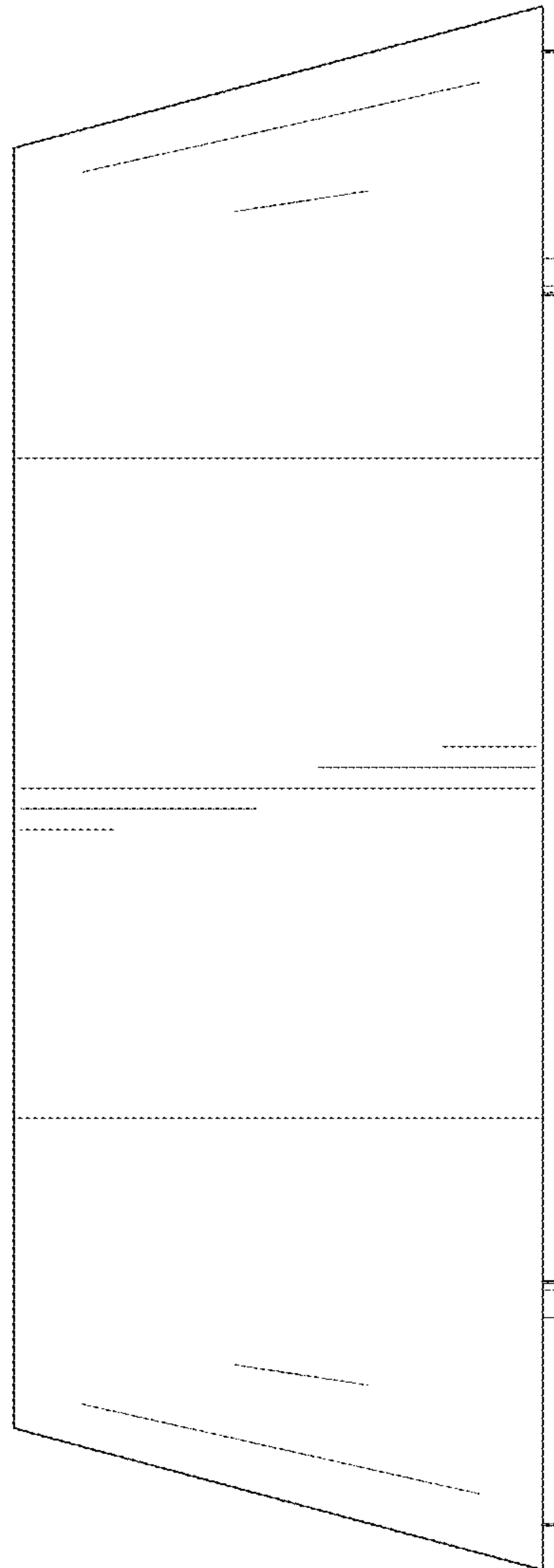


FIG. 3

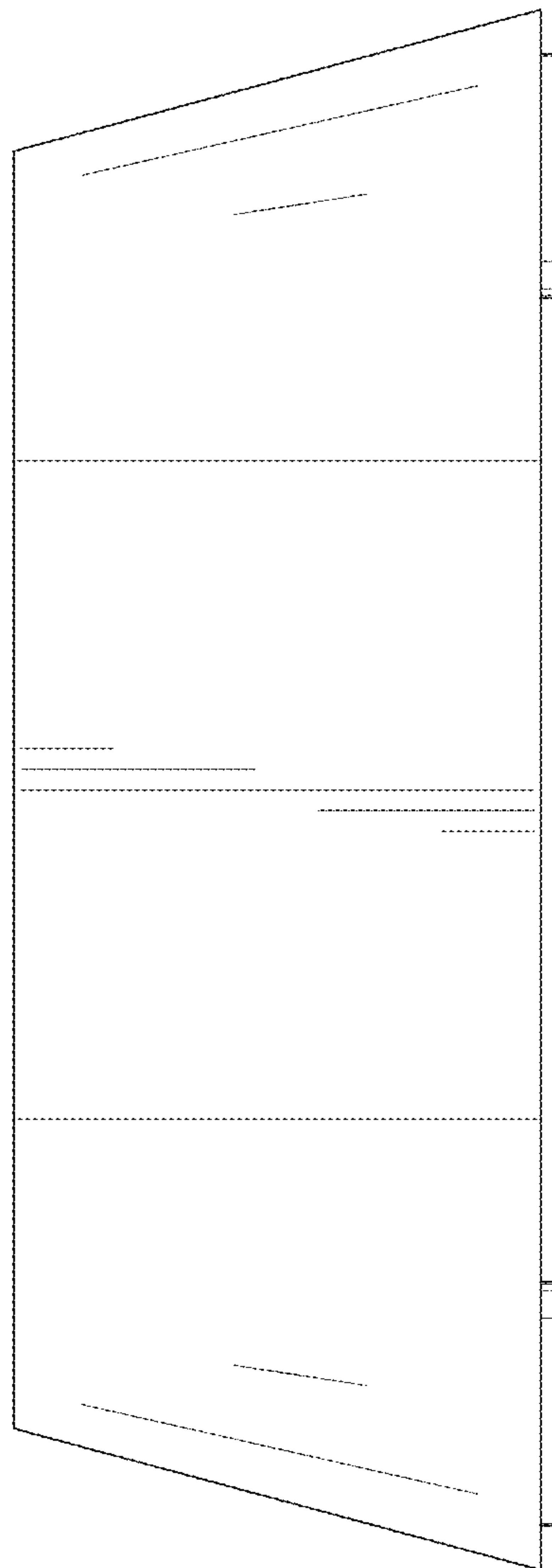


FIG.4

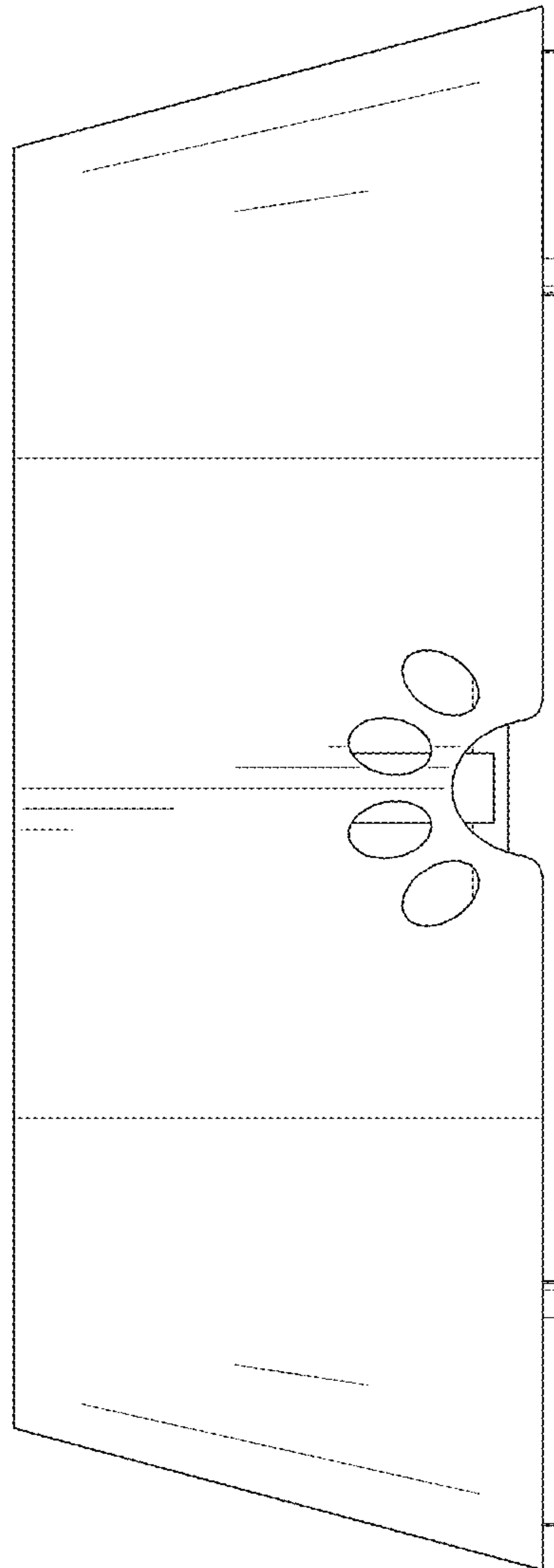


FIG. 5

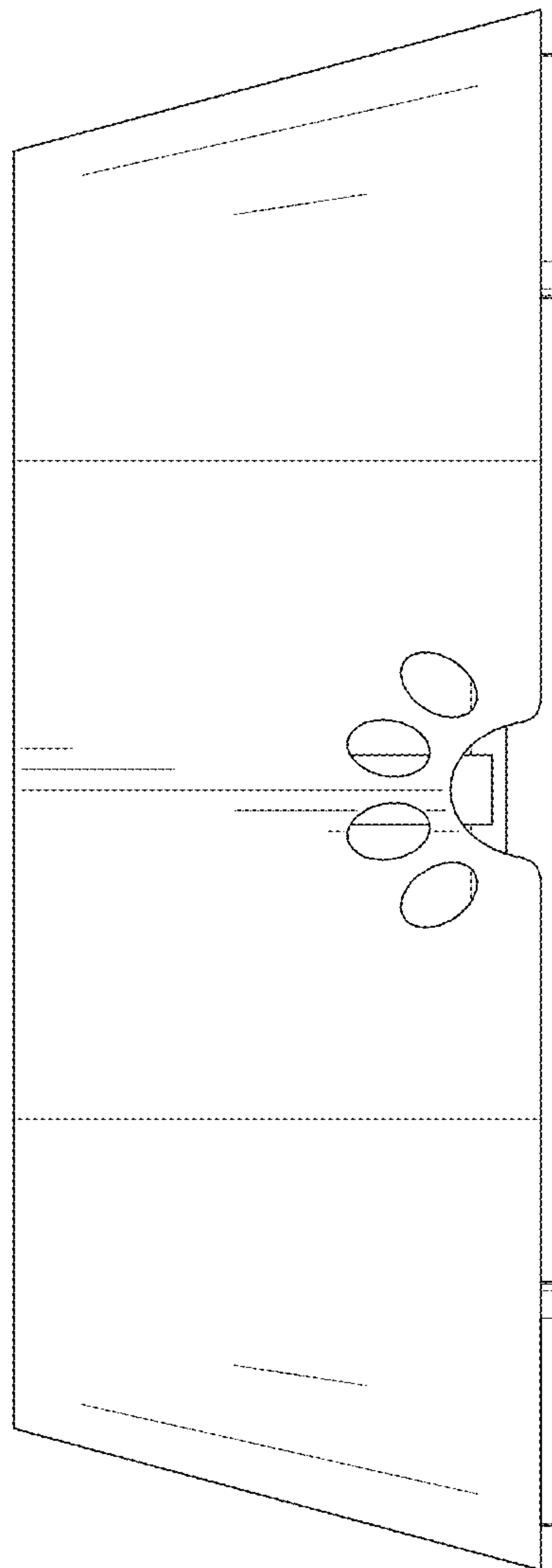


FIG.6



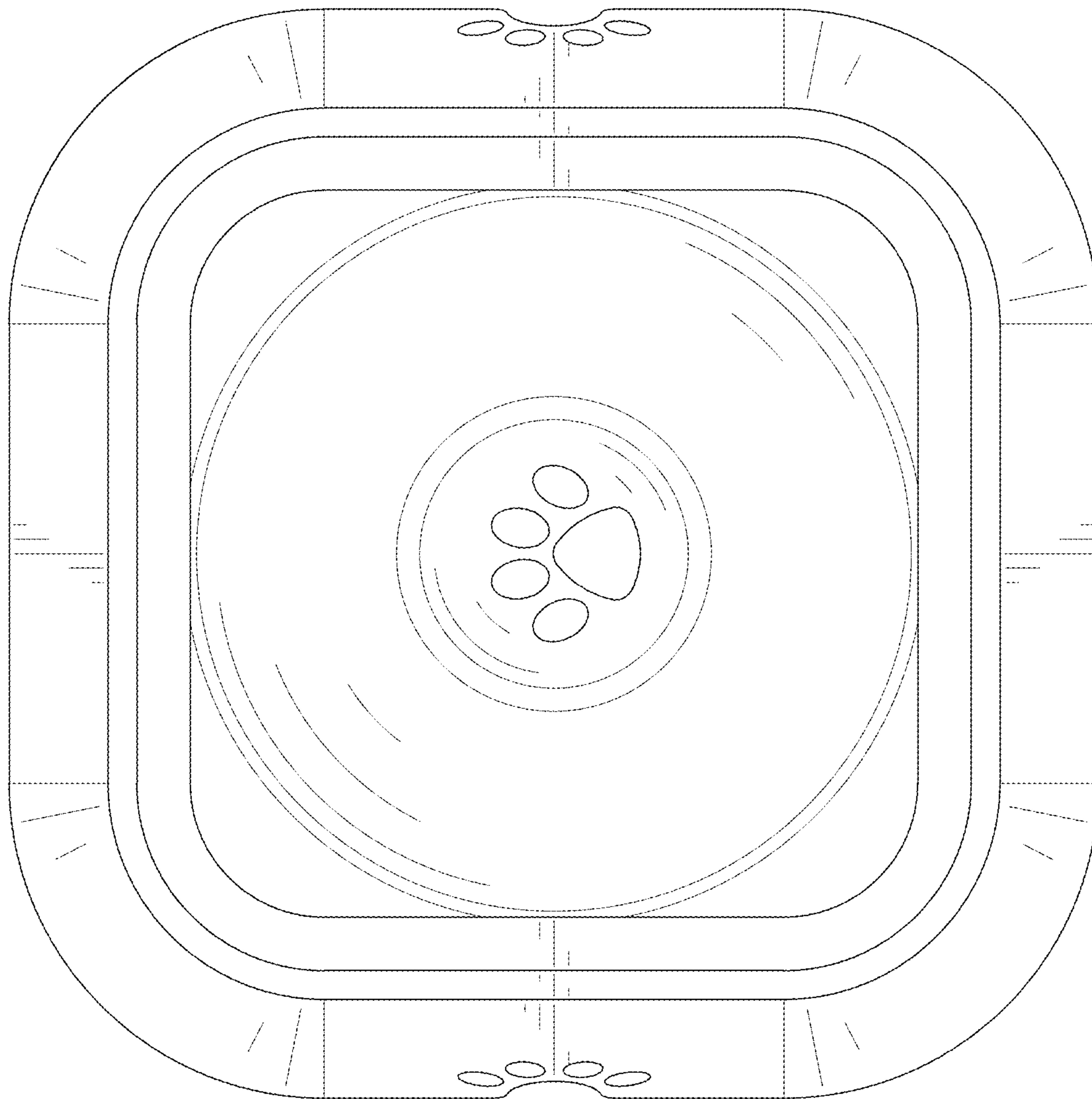


FIG. 7

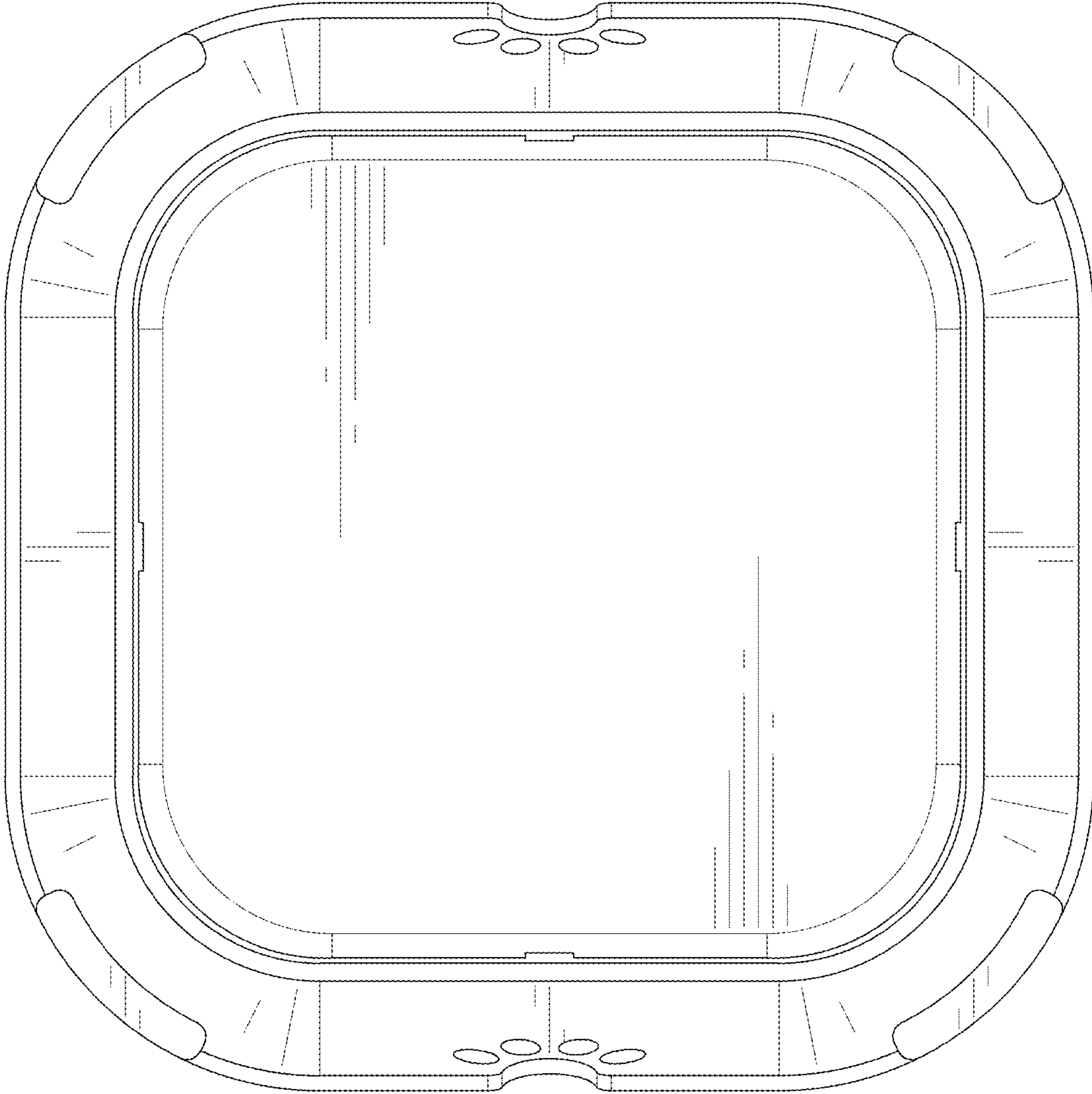


FIG. 8