



US00D914995S

(12) **United States Design Patent** (10) **Patent No.:** **US D914,995 S**
El-Fakir et al. (45) **Date of Patent:** **** Mar. 30, 2021**

- (54) **PET CARRIER**
- (71) Applicant: **Overland, LLC**, Santa Monica, CA (US)
- (72) Inventors: **Linda Staffin El-Fakir**, Edison, NJ (US); **Alan Friedgood**, Delray Beach, FL (US)
- (73) Assignee: **OVERLAND, LLC.**, Santa Monica, CA (US)
- (**) Term: **15 Years**
- (21) Appl. No.: **29/721,195**
- (22) Filed: **Jan. 17, 2020**
- (51) **LOC (13) Cl.** **30-02**
- (52) **U.S. Cl.**
USPC **D30/109**
- (58) **Field of Classification Search**
USPC D30/108, 109, 150; D3/213, 216, 246, D3/273, 315; 119/452, 474, 482, 489, 119/491, 496, 499, 500, 513, 650, 673, 119/678, 712, 751; 224/153, 202, 258, 224/579
CPC A01K 1/0254; A45C 3/00; A45C 13/30; B62B 5/0013
See application file for complete search history.

D575,461 S *	8/2008	Cannon	D3/273
D649,719 S *	11/2011	Siklosi	D30/109
D662,263 S *	6/2012	Chau	D30/109
D662,264 S *	6/2012	Chau	D30/109
D677,011 S	2/2013	Cirincione et al.		
D685,952 S	7/2013	Dixon		
D715,500 S	10/2014	Renforth et al.		
D717,502 S	11/2014	Dixon		
D724,792 S	3/2015	Renforth et al.		
9,392,766 B1	7/2016	Elden		
D804,738 S *	12/2017	Nourollah	D30/109
D808,084 S *	1/2018	Lu	D30/109
D818,204 S *	5/2018	Renforth	D30/109
D845,554 S *	4/2019	Lanzkowsky	D30/109
D855,900 S *	8/2019	Lu	D30/109

(Continued)

Primary Examiner — Sandra Snapp
Assistant Examiner — Mehri Bajoul
(74) *Attorney, Agent, or Firm* — Gearhart Law LLC

(57) **CLAIM**

The ornamental design for a pet carrier, as shown and described.

DESCRIPTION

FIG. 1 is a perspective view of the pet carrier.
FIG. 2 is a front view thereof.
FIG. 3 is a back view thereof.
FIG. 4 is a left side view thereof.
FIG. 5 is a right side view thereof.
FIG. 6 is a top view thereof.
FIG. 7 is a bottom view thereof; and,
FIG. 8 is a perspective view of the pet carrier in an alternate position.
The broken lines showing stitches depict portions of the pet carrier that form part of the claimed design. The shoulder strap is shown with symbolic breaks in its length. The appearance of any portion of the article between the break lines forms no part of the claimed design.

1 Claim, 7 Drawing Sheets

- (56) **References Cited**
- U.S. PATENT DOCUMENTS
- | | | | | |
|---------------|--------|----------|-------|------------------------|
| D398,083 S * | 9/1998 | Martz | | D3/273 |
| 5,931,120 A * | 8/1999 | Burns | | A01K 1/0254
119/497 |
| 5,941,195 A | 8/1999 | Martz | | |
| 6,021,740 A * | 2/2000 | Martz | | A01K 1/0254
119/482 |
| D444,271 S * | 6/2001 | Farrugia | | D3/273 |
| 7,210,426 B2 | 5/2007 | Yeung | | |
| D548,408 S * | 8/2007 | Martz | | D3/273 |



(56)

References Cited

U.S. PATENT DOCUMENTS

D872,945 S * 1/2020 Lu D30/109
2003/0127060 A1* 7/2003 Yeung A01K 1/0254
119/497
2008/0066689 A1* 3/2008 Martz A01K 1/0254
119/497
2008/0072837 A1* 3/2008 Redzisz A01K 1/0254
119/474
2008/0216760 A1* 9/2008 Cannon A01K 1/0254
119/497
2009/0314219 A1 12/2009 Bryson
2010/0000472 A1 1/2010 Siklosi
2010/0313824 A1* 12/2010 Northrop A01K 1/0254
119/496
2011/0005467 A1 1/2011 Siklosi
2012/0186533 A1 7/2012 Lu
2017/0265430 A1* 9/2017 Renforth A01K 1/0236
2018/0338469 A1 11/2018 Alexander
2018/0359990 A1 12/2018 Graham
2019/0021275 A1* 1/2019 Chaudhry A01K 1/0272
2019/0075898 A1 3/2019 Friedgood

* cited by examiner



FIG. 1

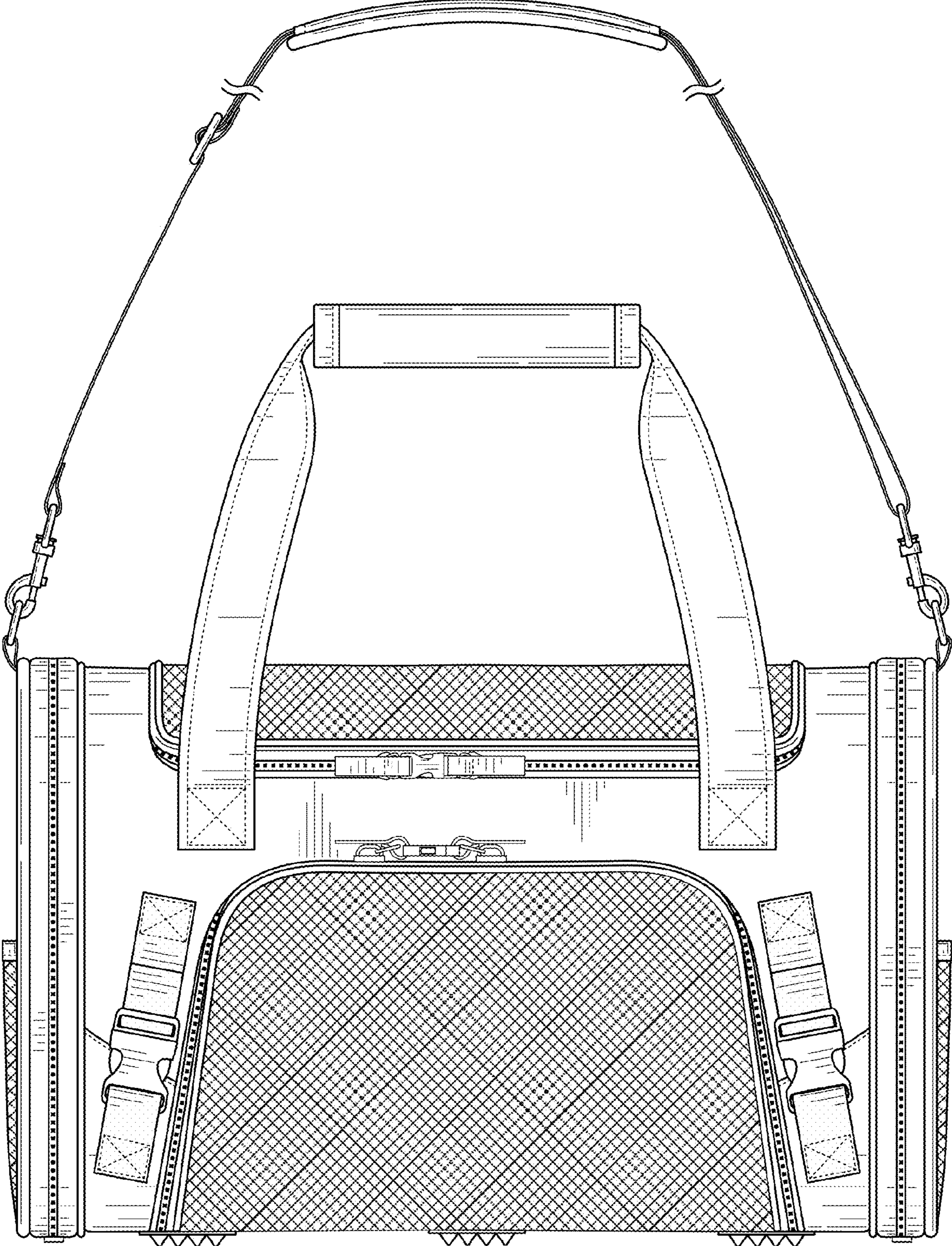


FIG. 2

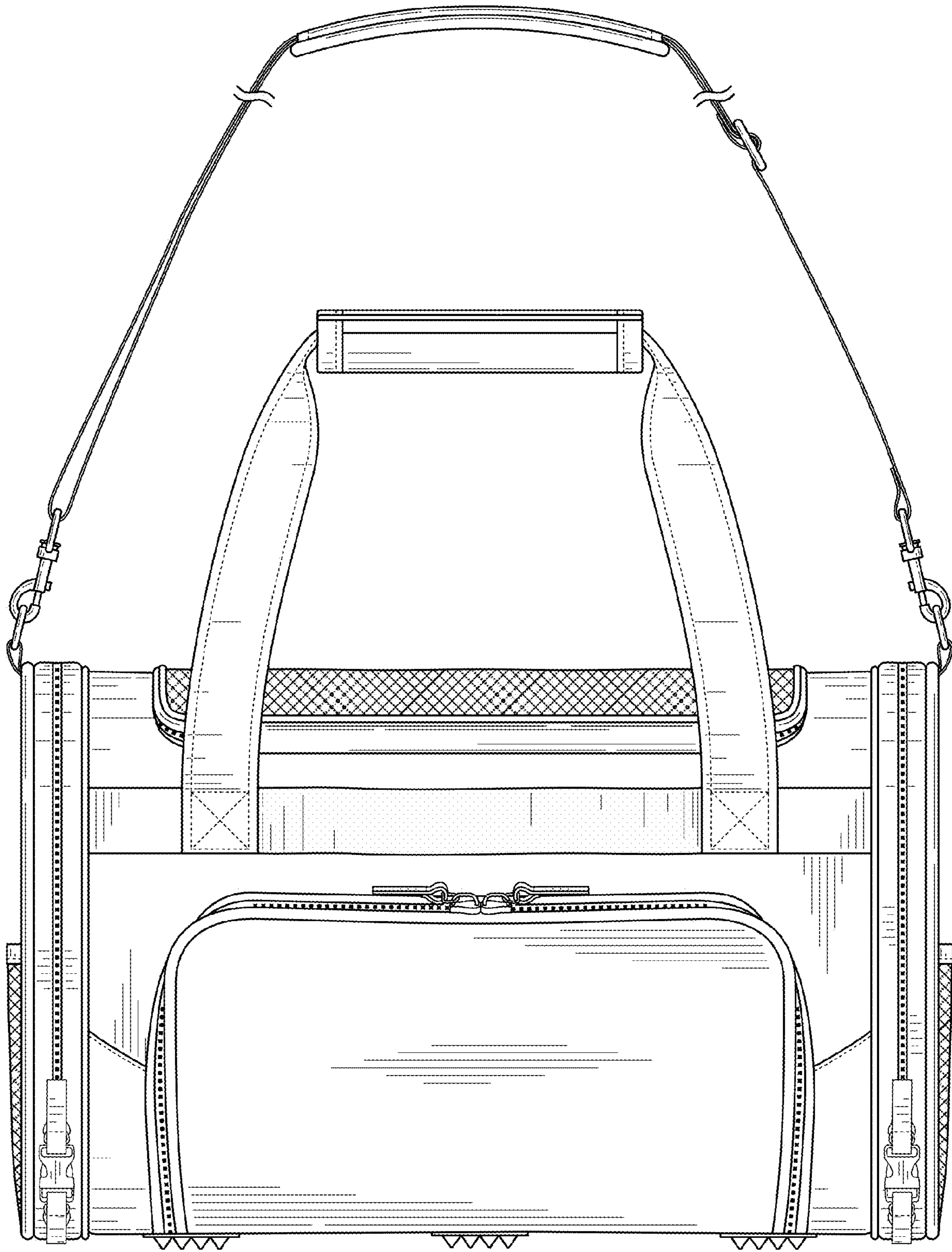


FIG. 3

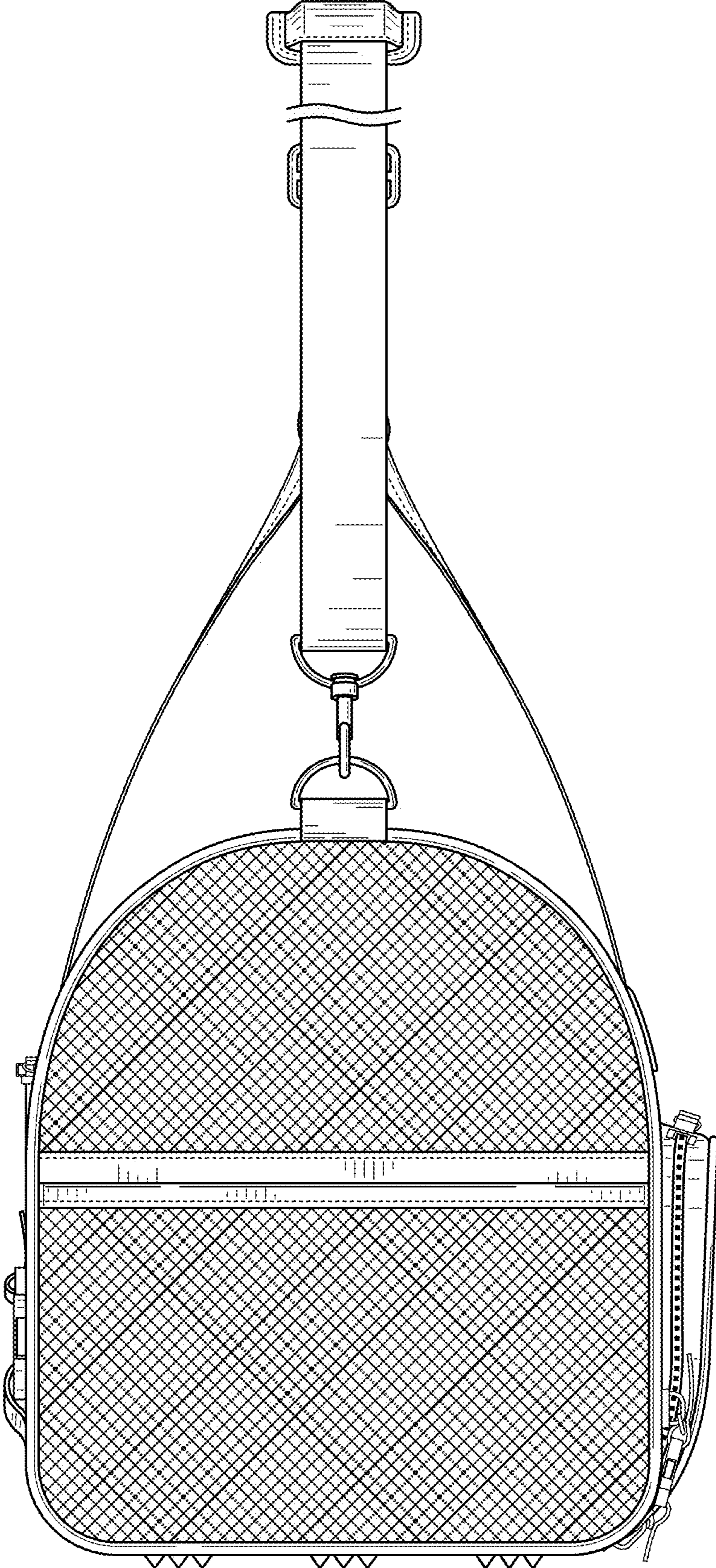


FIG. 4

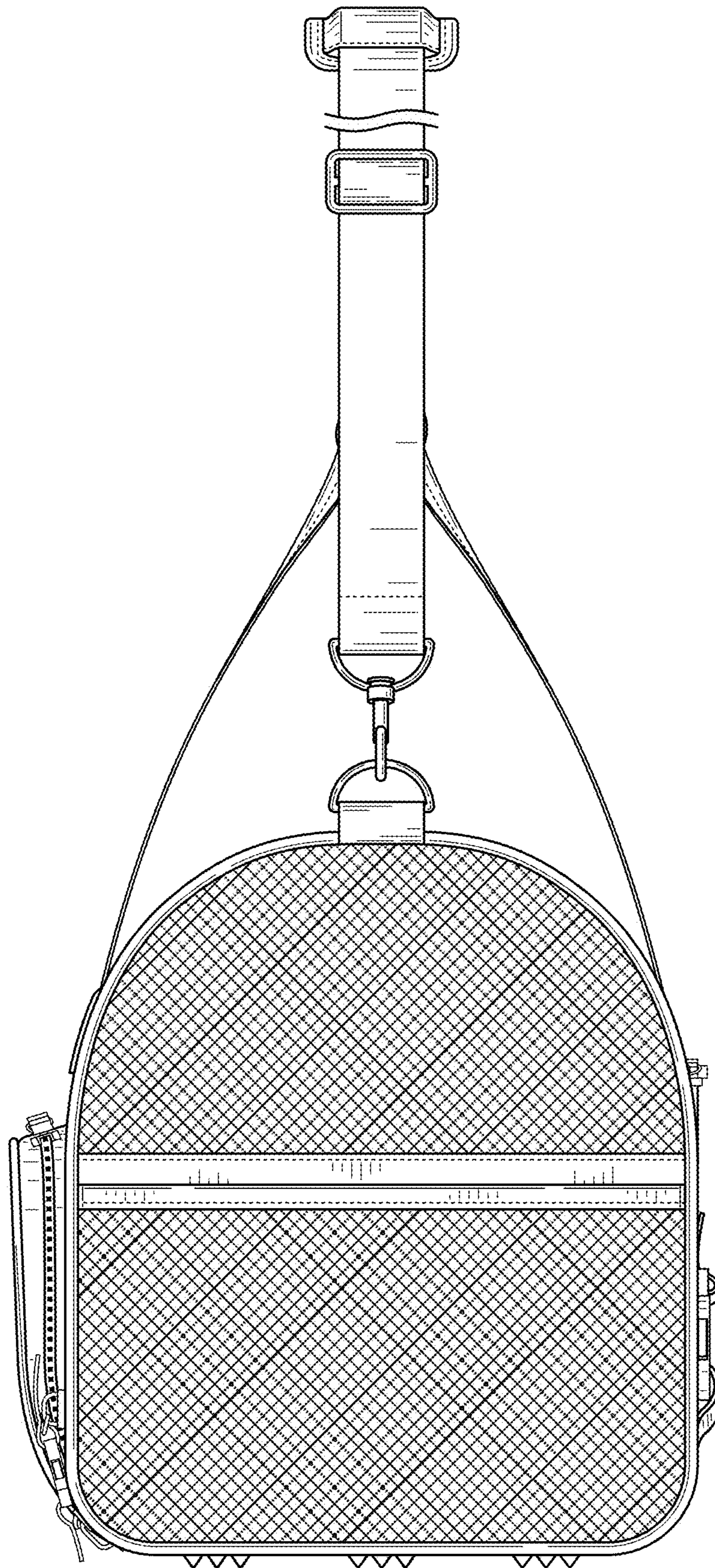


FIG. 5

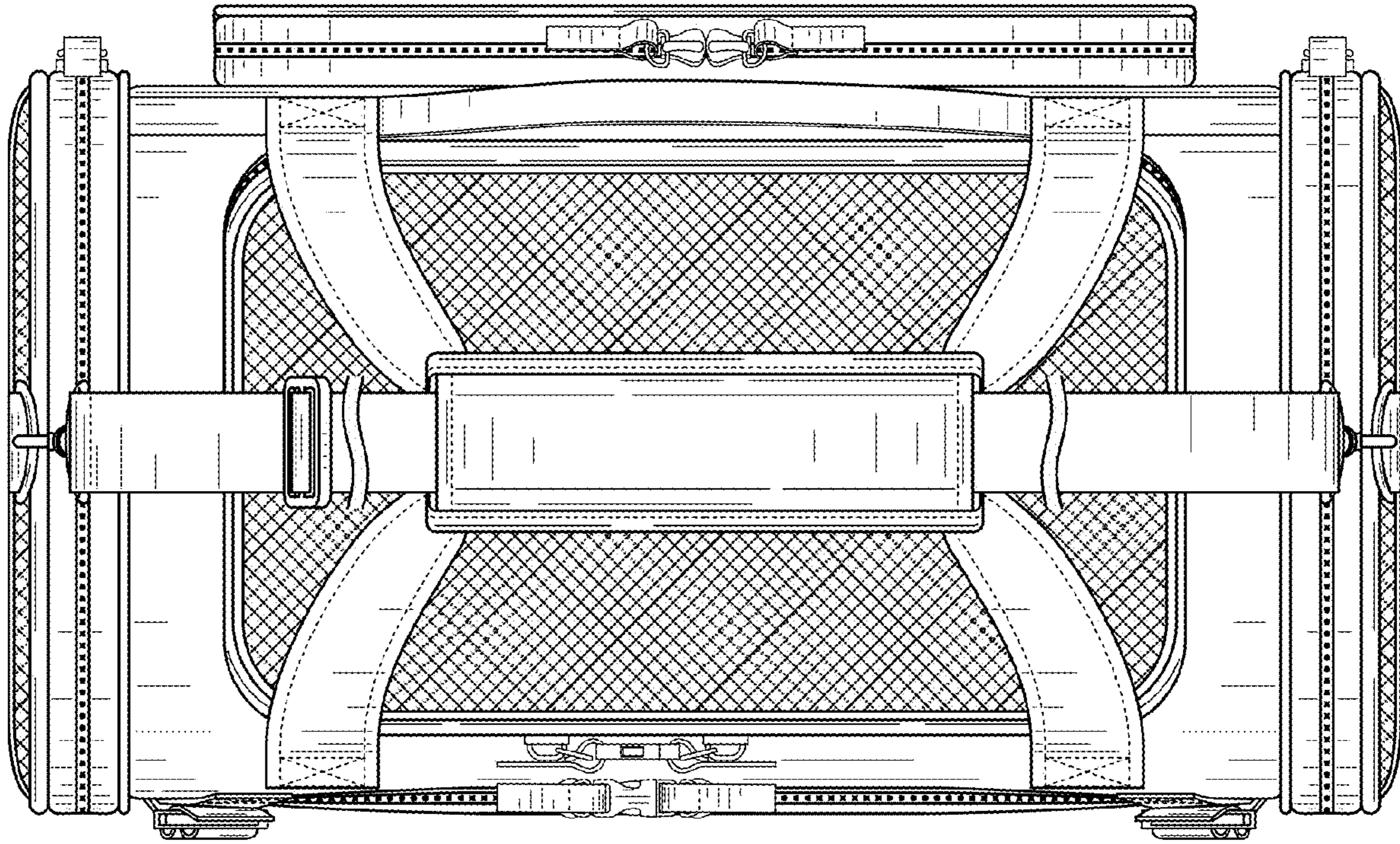


FIG. 6

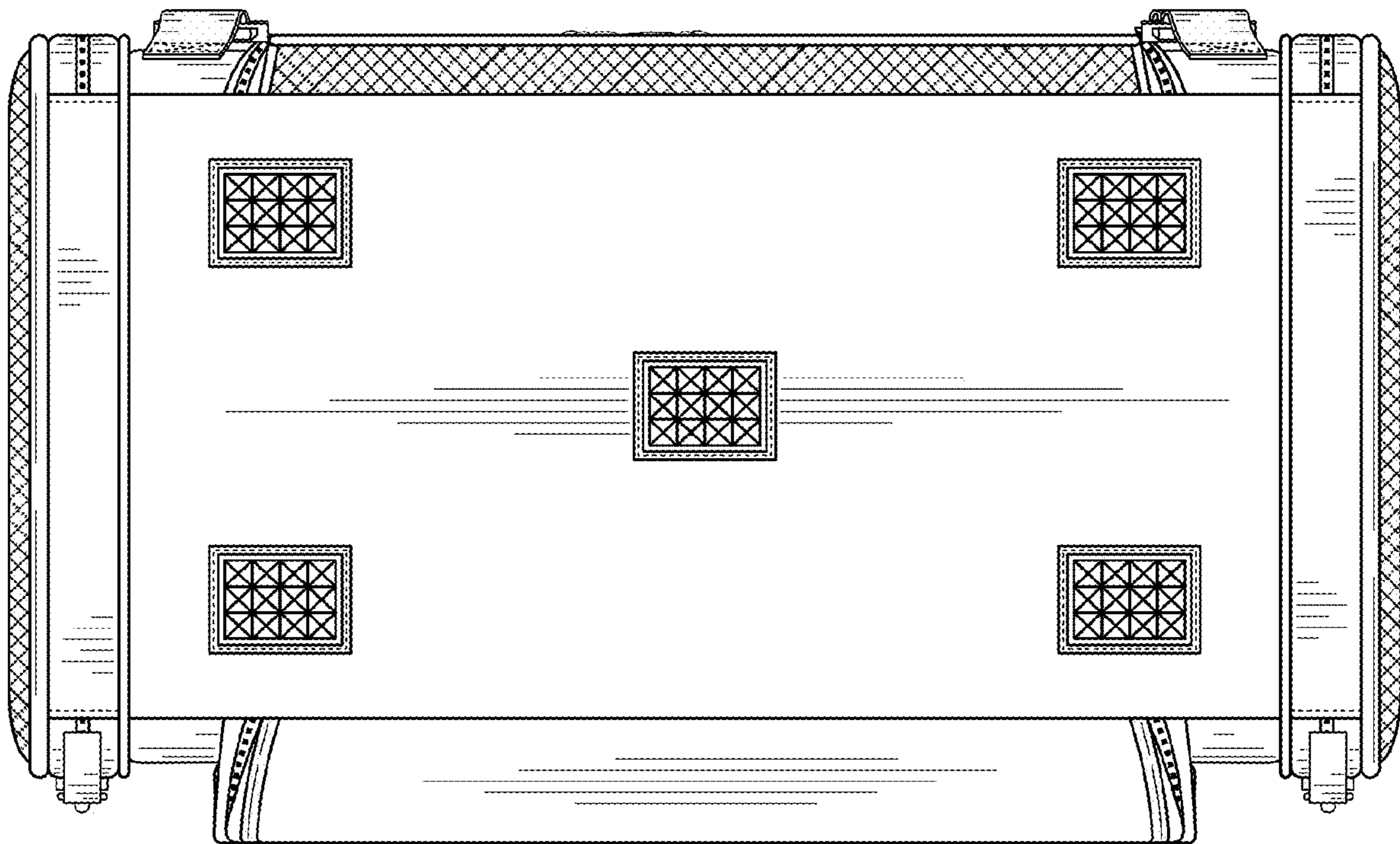


FIG. 7

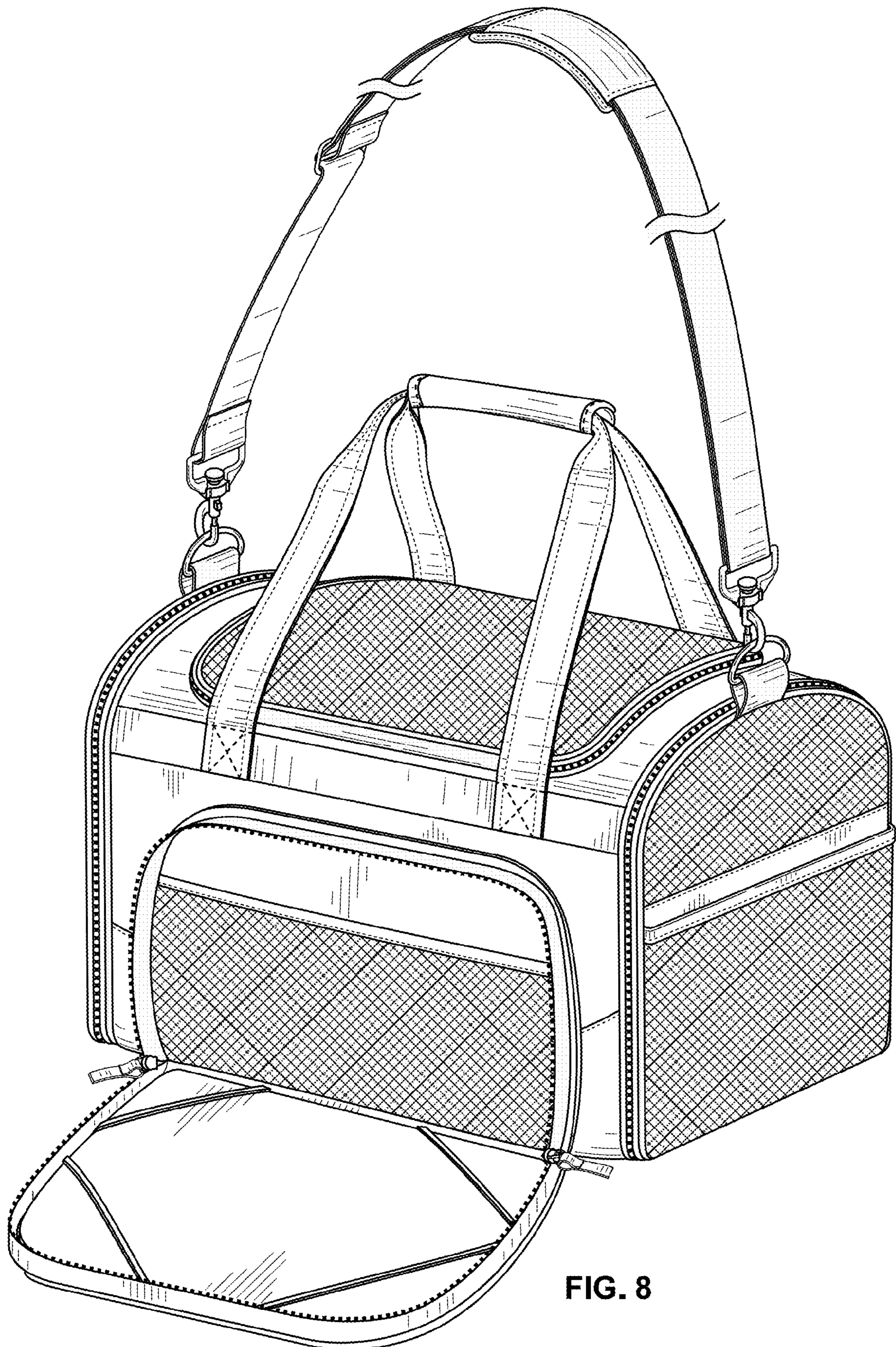


FIG. 8