



US00D914994S

(12) **United States Design Patent**
Ayala

(10) **Patent No.:** **US D914,994 S**

(45) **Date of Patent:** **** Mar. 30, 2021**

(54) **HELMET FIN**

(71) Applicant: **Gaven Ayala**, Murrieta, CA (US)

(72) Inventor: **Gaven Ayala**, Murrieta, CA (US)

(**) Term: **15 Years**

(21) Appl. No.: **29/717,314**

(22) Filed: **Dec. 17, 2019**

(51) **LOC (13) Cl.** **02-99**

(52) **U.S. Cl.**
USPC **D29/122**

(58) **Field of Classification Search**
USPC D29/122, 102-110; D2/878
CPC .. A42B 3/04; A42B 3/163; A42B 3/08; A42B
3/10; A42B 3/16; A42B 3/166; A42B
3/127; A42B 3/14; A42B 3/142; A42B
3/145; A42B 3/147; A42B 3/32; A42B
7/00; A42B 3/226; A42B 3/227; A42B
1/248; A42B 3/003; A42B 3/0406; A42B
3/0426; A42B 3/0433; A42B 3/0493;
A61F 11/06; A63B 71/10

See application file for complete search history.

(56) **References Cited**

U.S. PATENT DOCUMENTS

D208,351 S *	8/1967	Harmer	D29/122
D251,157 S *	2/1979	Walter	D2/869
D284,328 S *	6/1986	Bieber	D11/134
D344,844 S *	3/1994	Beitscher	D16/330
D344,845 S *	3/1994	Beitscher	D2/869
5,508,900 A *	4/1996	Norman	A42B 3/0406 2/422
D461,935 S *	8/2002	Hahm	D29/107
D472,869 S *	4/2003	Wu	D12/197
7,114,198 B1 *	10/2006	Hsieh	A42B 3/0406 2/422
D576,355 S *	9/2008	Murakami	D29/122
7,574,754 B2 *	8/2009	Arai	A42B 3/0493 2/410

D626,484 S *	11/2010	Striker	D12/199
D660,554 S *	5/2012	Blackshear	D2/872
D678,618 S *	3/2013	Ratner	D29/107
8,692,886 B2 *	4/2014	Ennis	A42B 3/042 348/158
D714,201 S *	9/2014	Ogawa	D12/199
D743,112 S *	11/2015	Brown	D29/122

(Continued)

OTHER PUBLICATIONS

MotoFin on Facebook (on-line), dated Dec. 1, 2019. Retrieved from Internet Feb. 3, 2021, URL: https://www.facebook.com/pg/motofinco/posts/?ref=page_internal (1 page) (Year: 2019).*

(Continued)

Primary Examiner — Kimberly Barnes

(74) *Attorney, Agent, or Firm* — Nelson Patent Law

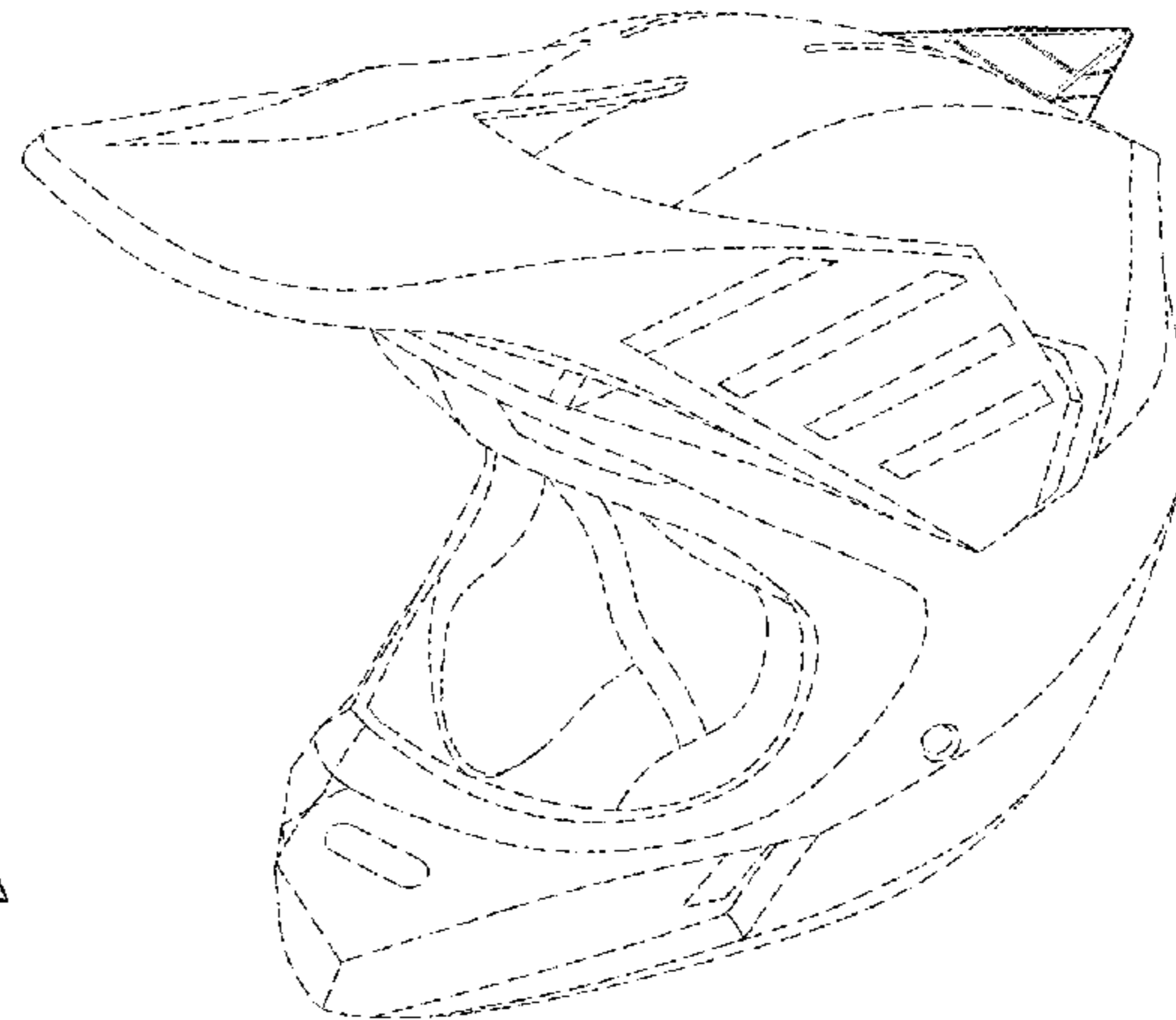
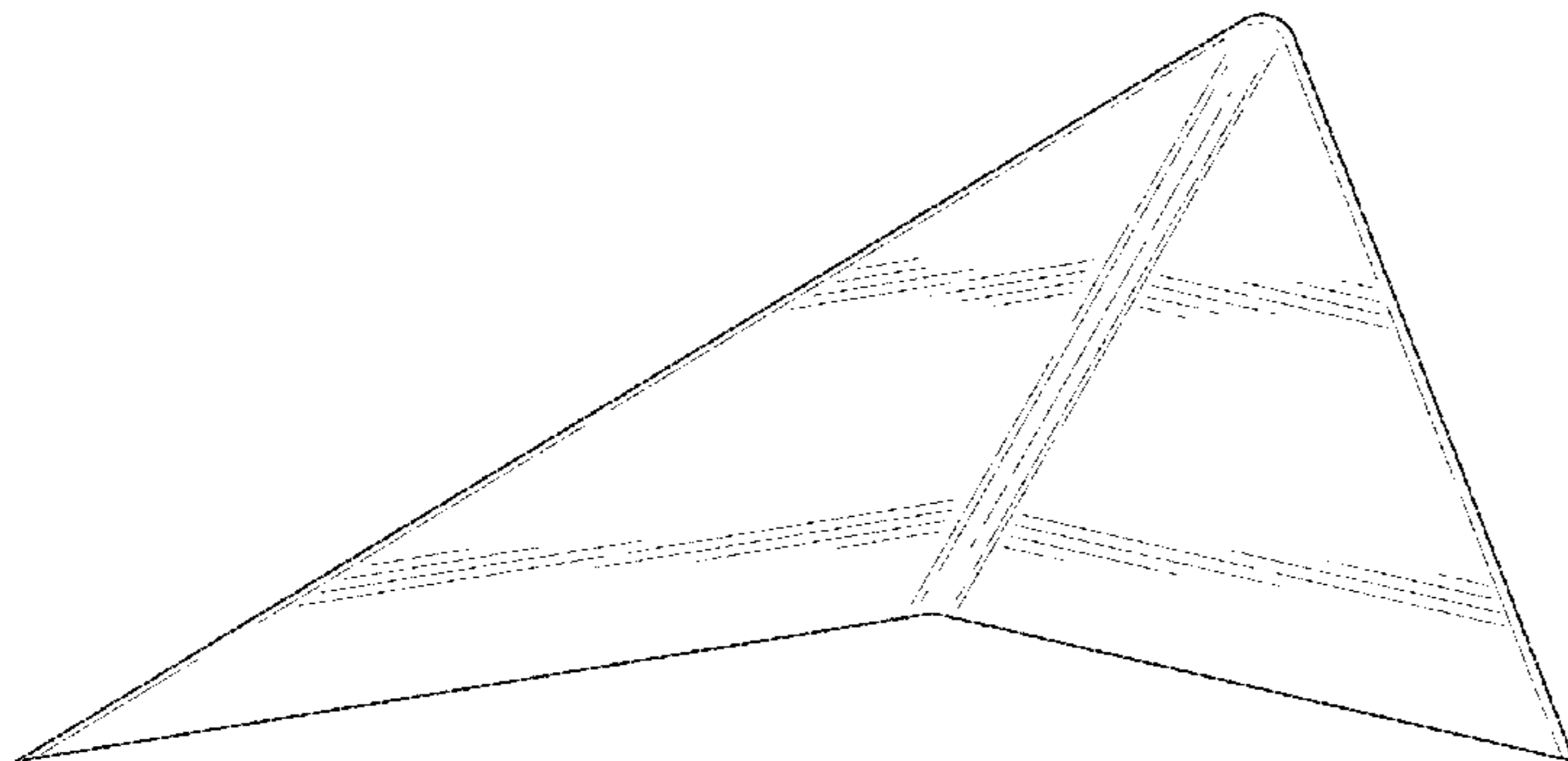
(57) **CLAIM**

I claim the ornamental design for a helmet fin, as shown and described.

DESCRIPTION

FIG. 1 is a left-side view of a helmet fin showing my design; FIG. 2 is a right-side view thereof; FIG. 3 is a top view thereof, the bottom being unornamented; FIG. 4 is a front view thereof; FIG. 5 is a rear view thereof; FIG. 6 is a perspective view thereof; FIG. 7 is a perspective view of a helmet fin showing my design in a usage environment; FIG. 8 is a top view thereof; FIG. 9 is a rear view thereof; and, FIG. 10 is a right view thereof. The broken lines in FIGS. 7-10 depict environmental subject matter that forms no part of the claimed design.

1 Claim, 10 Drawing Sheets



(56)

References Cited

U.S. PATENT DOCUMENTS

D772,491 S * 11/2016 Kempin D29/122
10,694,801 B2 * 6/2020 Cooke A42B 3/0426
2019/0387828 A1 * 12/2019 Bischofberger A42B 3/10

OTHER PUBLICATIONS

Helmet fins are back! Introducing MotoFin (on-line), dated Apr. 19, 2020. Retrieved from Internet Feb. 3, 2021, URL: <https://www.youtube.com/watch?v=NvDxSgMZNAU> (1 page) (Year: 2020).*

News—MotoFin (on-line), dated Jun. 26, 2020. Retrieved from Internet Feb. 3, 2021, URL: <https://motofinco.com/blogs/news> (1 page) (Year: 2020).*

MotoFin—Black (on-line), dated Oct. 23, 2020. Retrieved from Internet Feb. 3, 2021, URL: <https://web.archive.org/web/20201023075428/https://motofinco.com/products/the-moto-fin> (1 page) (Year: 2020).*

* cited by examiner

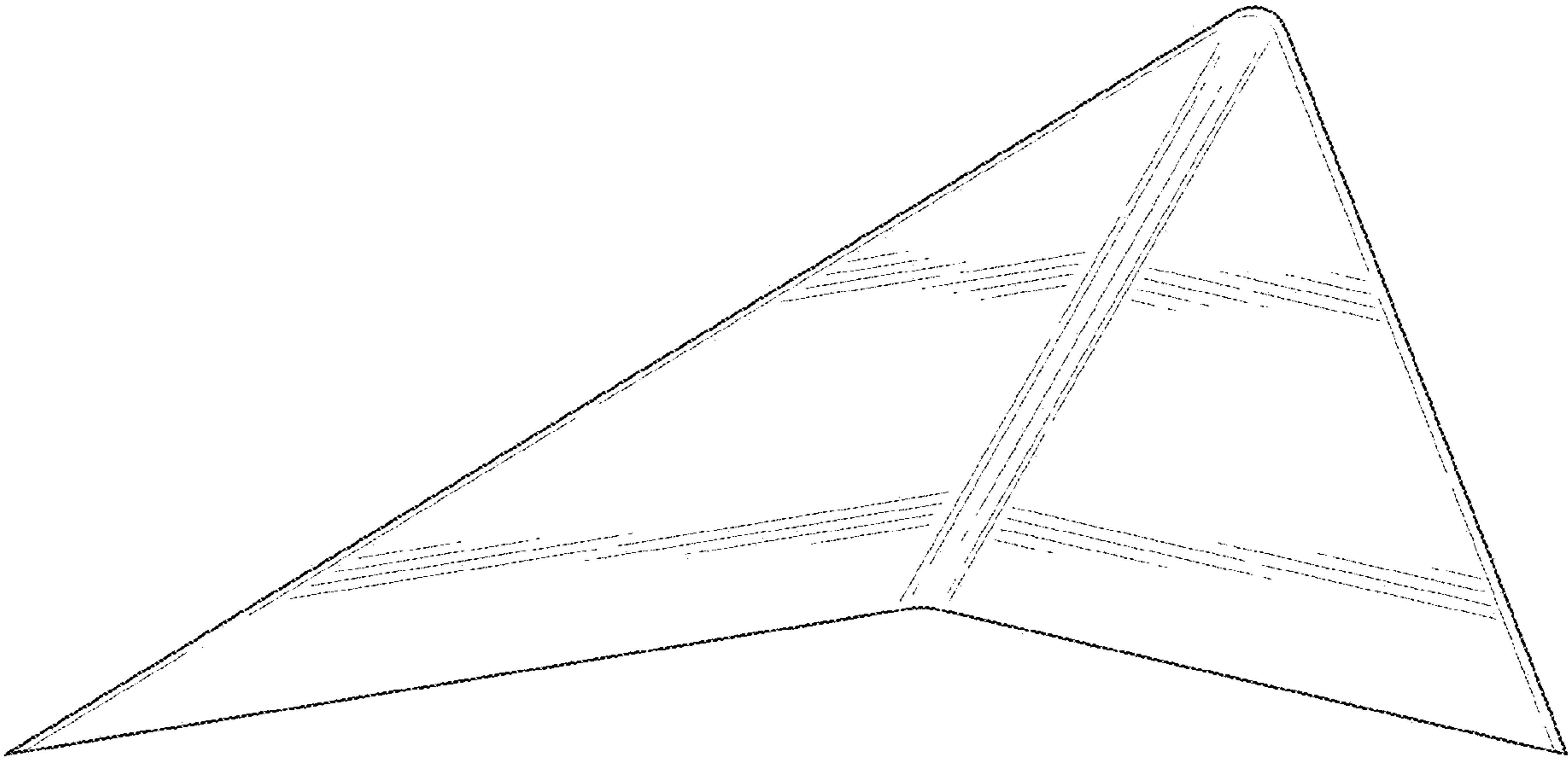


FIG. 1

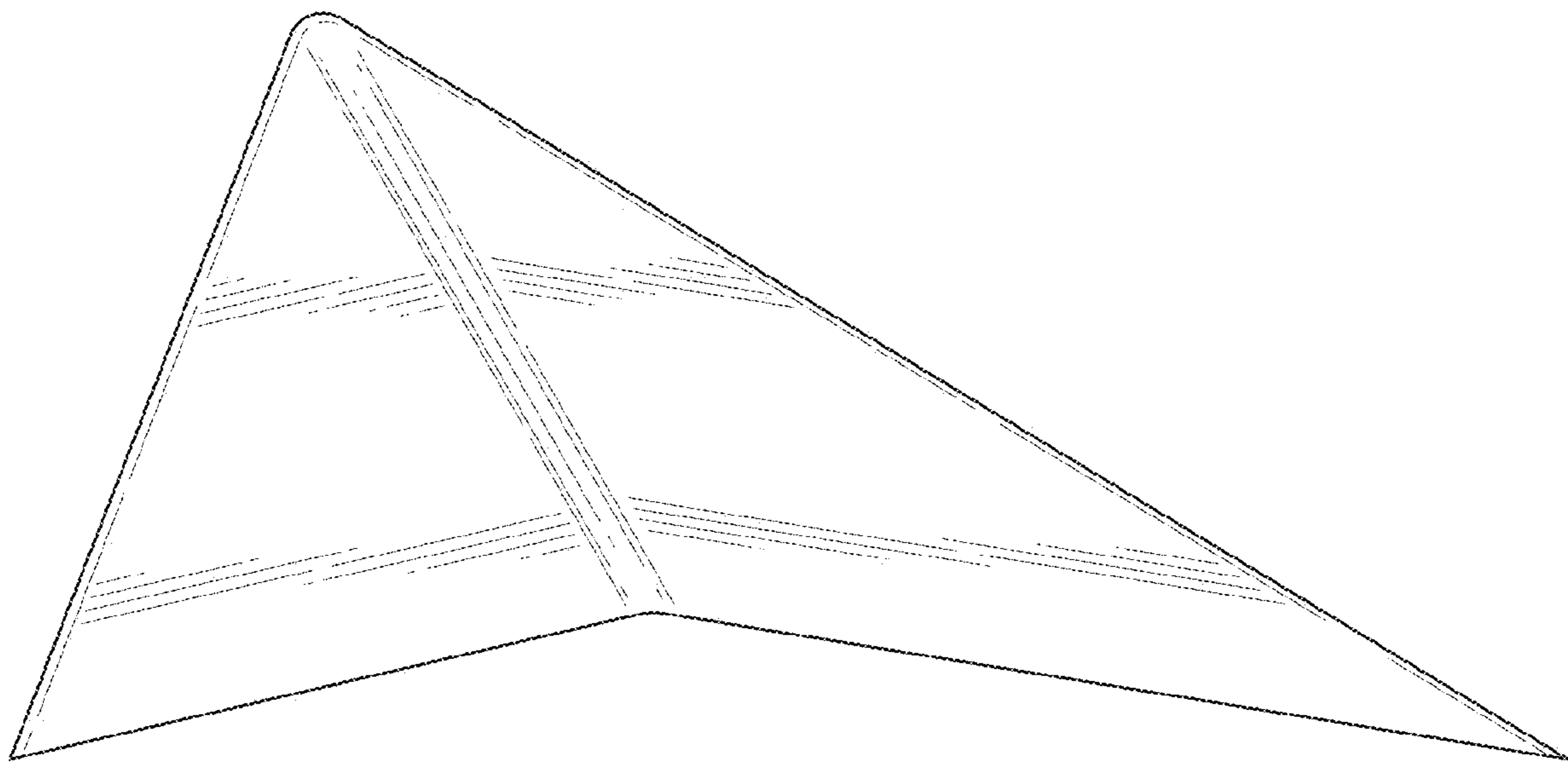


FIG. 2

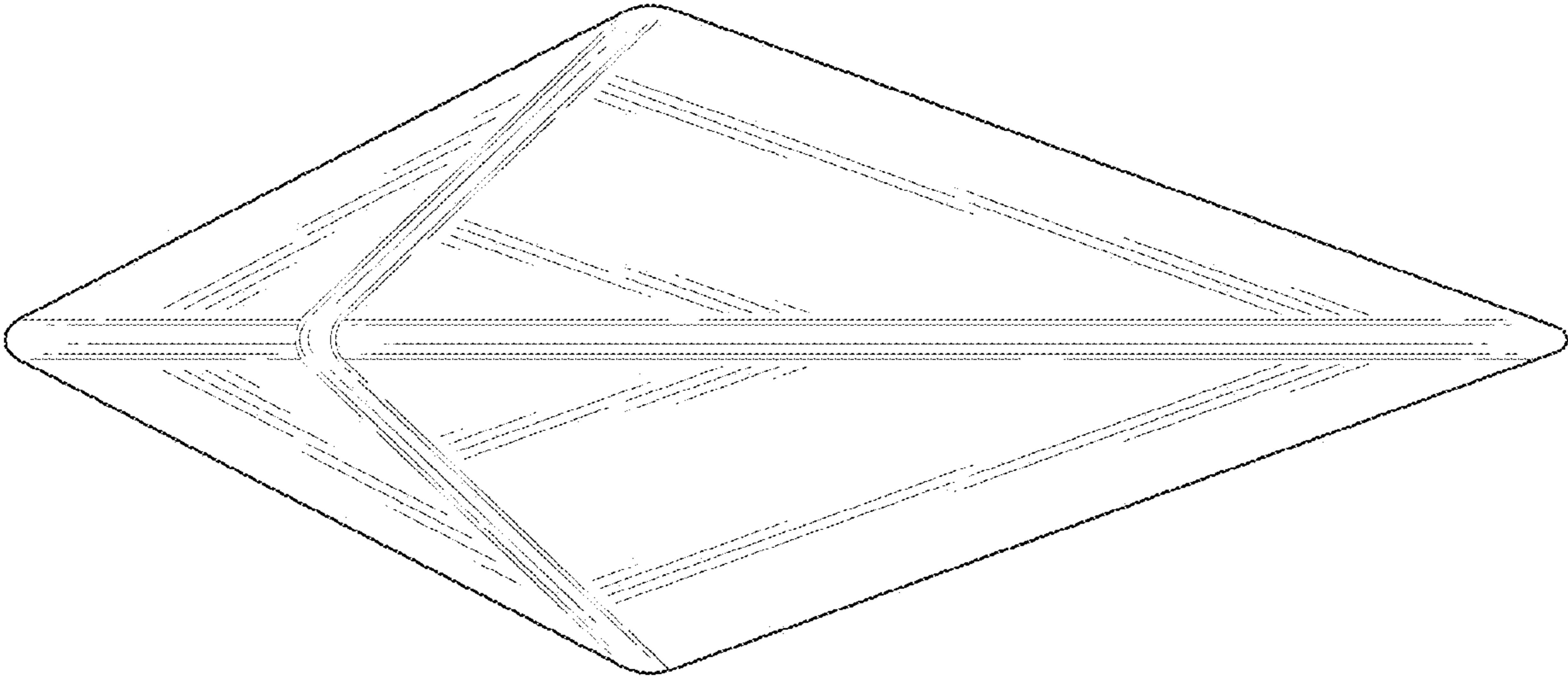


FIG. 3

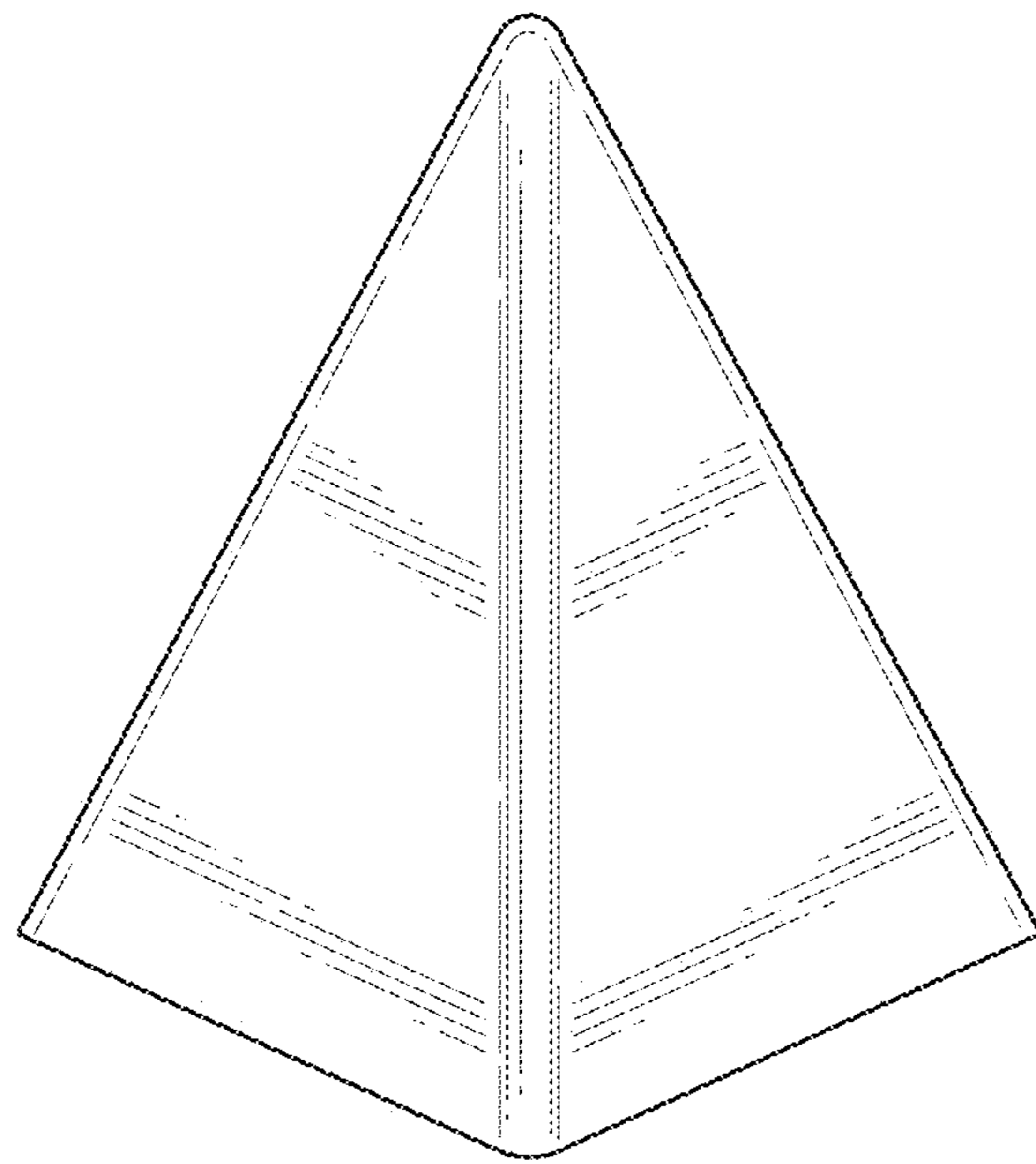


FIG. 4

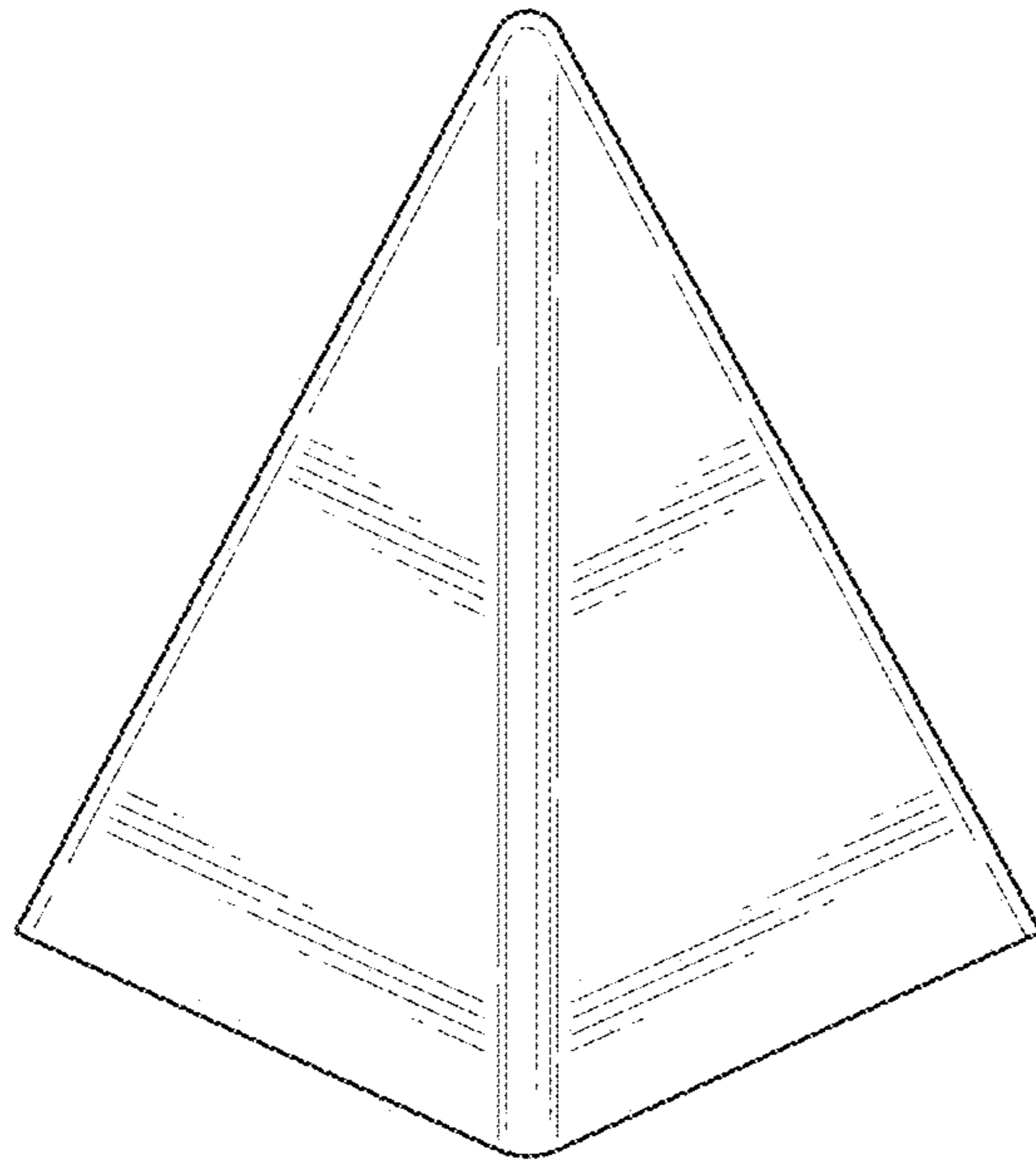


FIG. 5

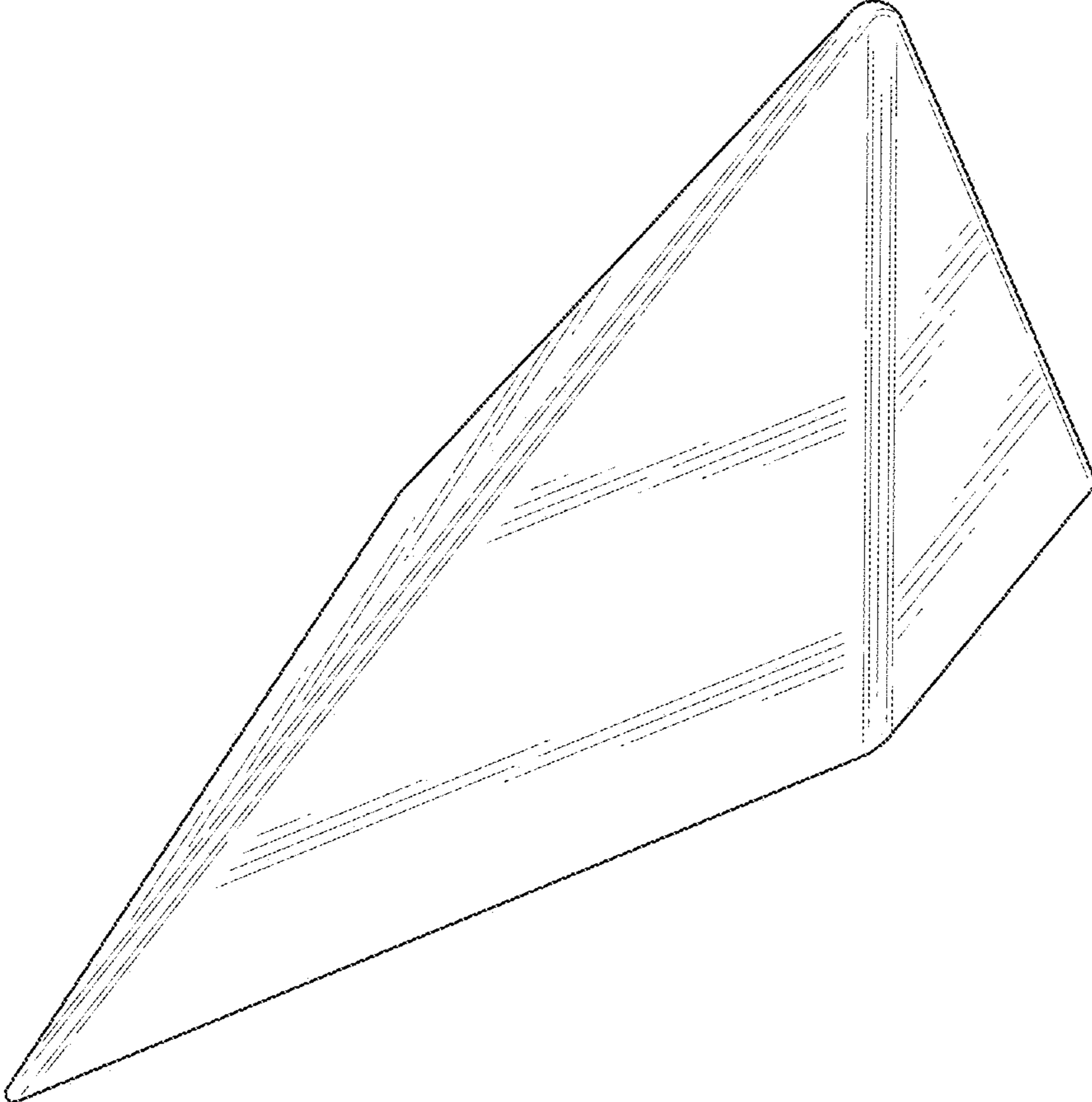


FIG. 6

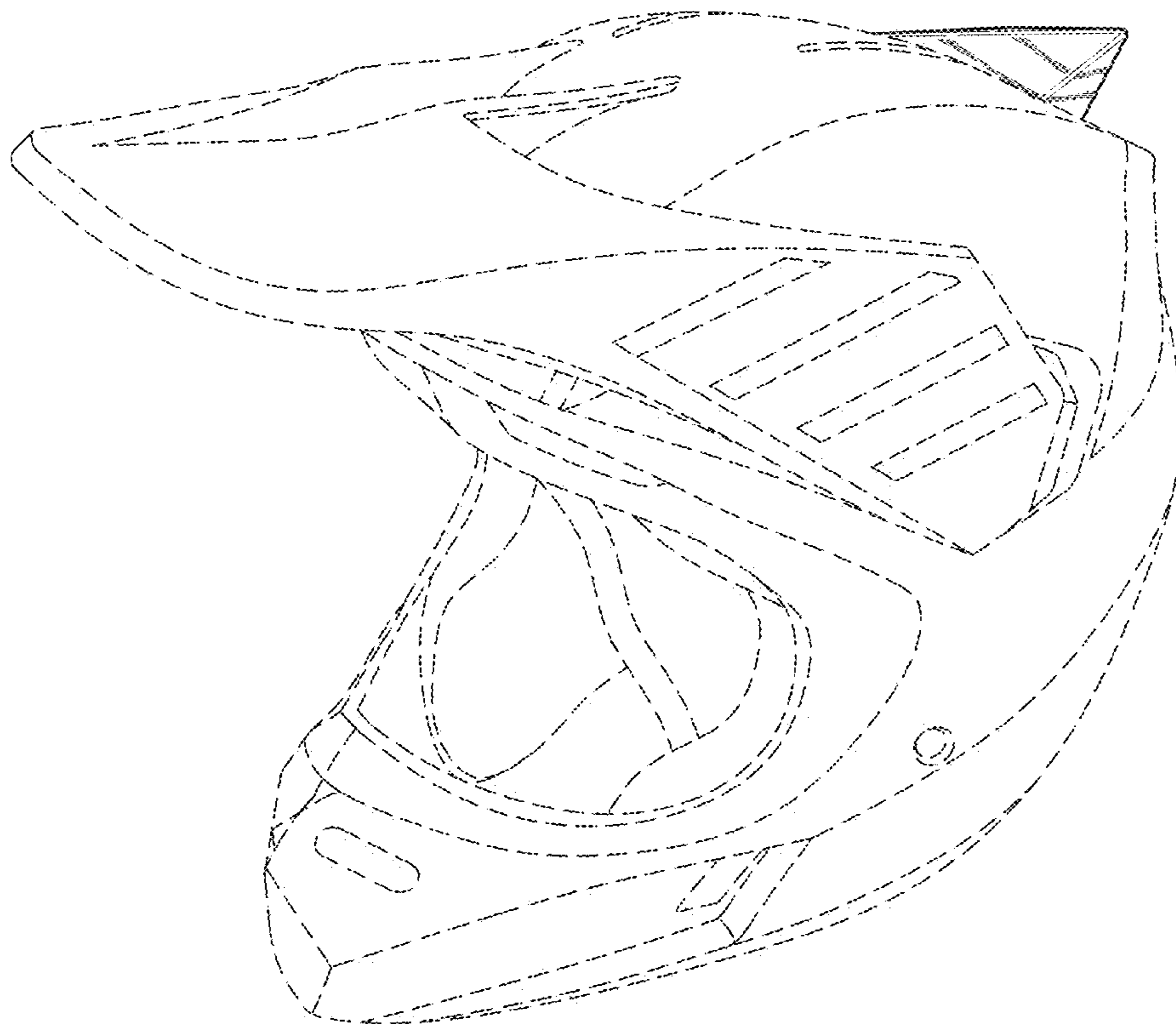


FIG. 7

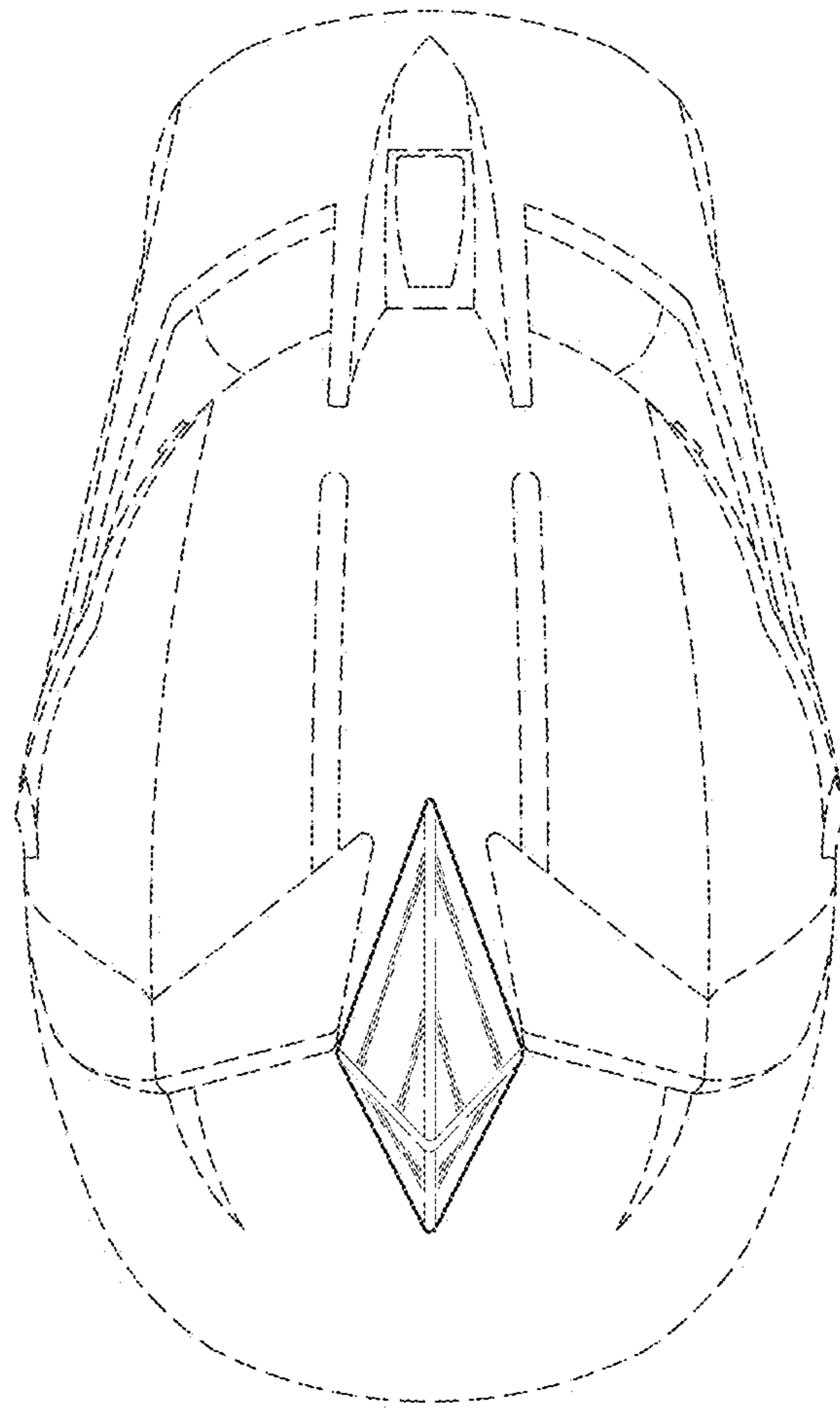


FIG. 8

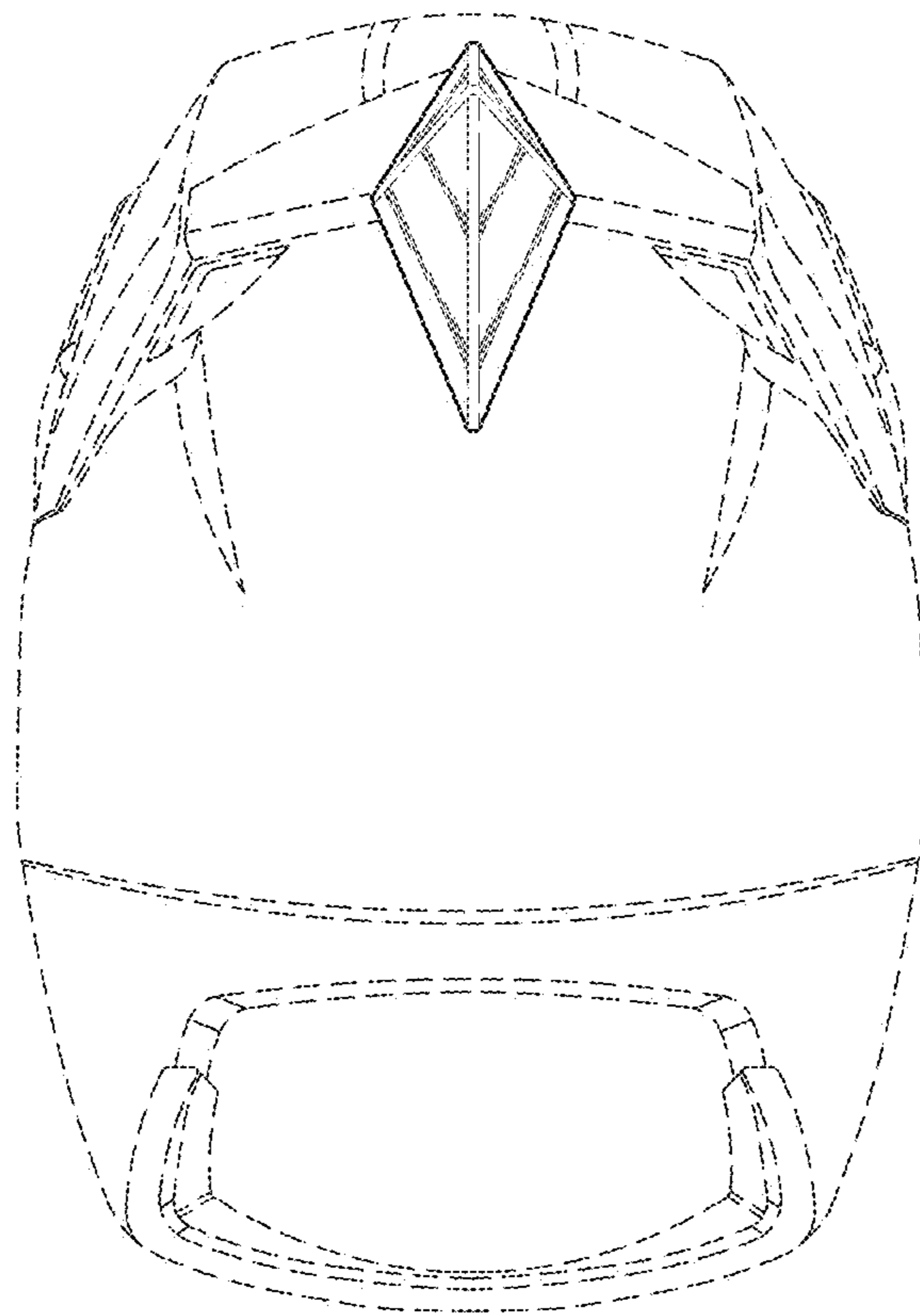


FIG. 9

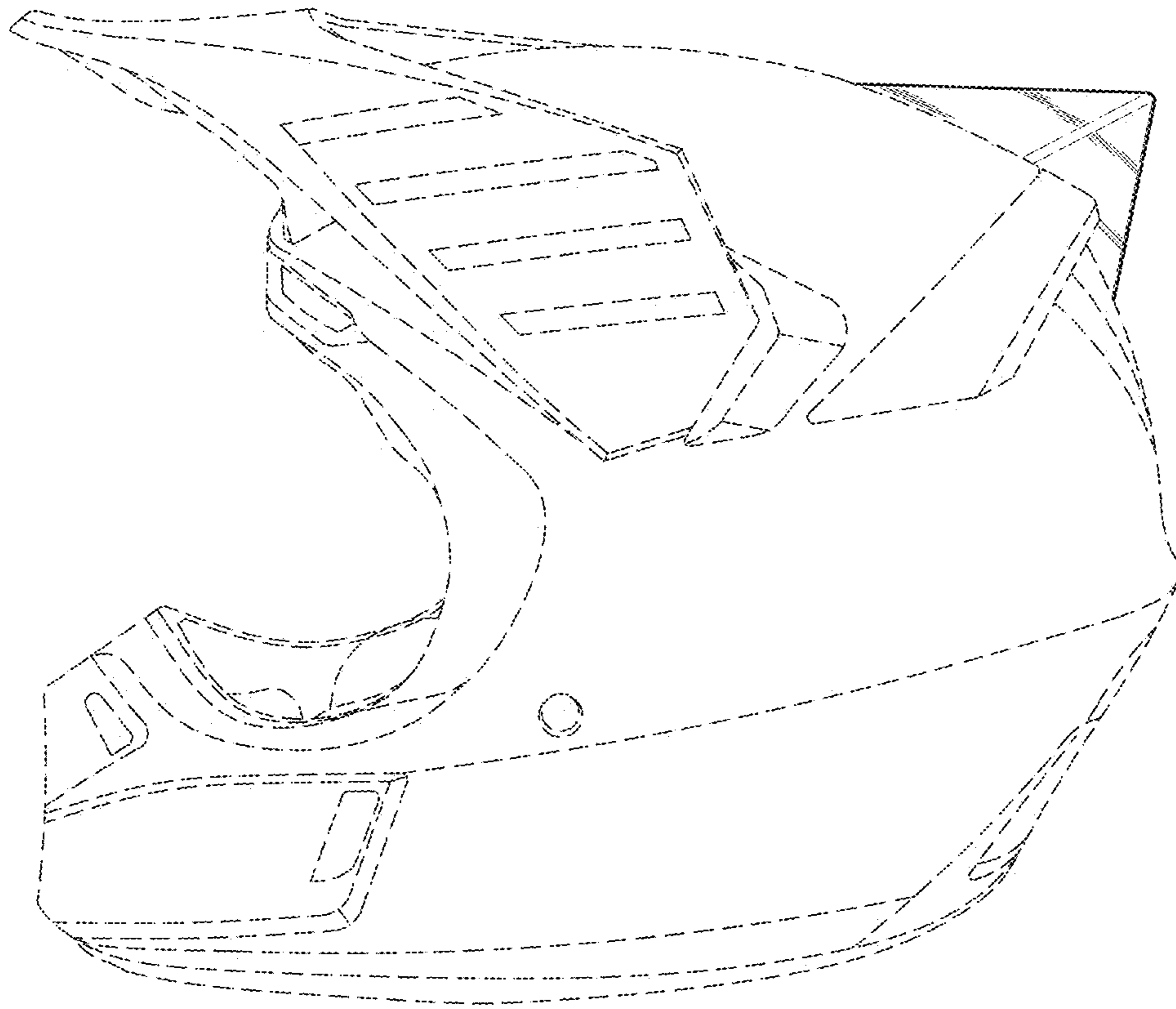


FIG. 10