



US00D914991S

(12) **United States Design Patent**
Dierkes

(10) **Patent No.:** **US D914,991 S**

(45) **Date of Patent:** **** Mar. 30, 2021**

(54) **ELBOW GUARD**

(71) Applicant: **Wilson Sporting Goods Co.**, Chicago, IL (US)

(72) Inventor: **Matthew J. Dierkes**, Chicago, IL (US)

(73) Assignee: **Wilson Sporting Goods Co.**, Chicago, IL (US)

(**) Term: **15 Years**

(21) Appl. No.: **29/700,776**

(22) Filed: **Aug. 6, 2019**

(51) **LOC (13) Cl.** **02-99**

(52) **U.S. Cl.**
USPC **D29/121.1**

(58) **Field of Classification Search**
USPC D29/100, 120.1, 121.1, 121.2, 122;
D24/190, 192, 165, 171, 188, 200, 231;
D21/780
CPC A41D 13/0015; A41D 13/10002; A41D
13/0543; A41D 13/055; A41D 13/0556;
A41D 13/0562; A41D 13/0568; A41D
13/06; A41D 13/065; A41D 13/08; A41D
13/05; A63B 71/081; A63B 71/12; A63B
71/1225; A63B 71/125; A63B 71/1258;
A63B 71/08; A63B 69/0002; A61F
5/0585; Y10S 2/908; Y10S 2/91; A61H
2205/10; A61H 2205/102; A61H
2205/104; A61H 2205/106; A61H
2205/108

See application file for complete search history.

(56) **References Cited**

U.S. PATENT DOCUMENTS

2,603,786 A 7/1952 Haines
4,333,181 A 6/1982 Corriero
4,953,569 A * 9/1990 Lonardo A61F 13/102
128/889
5,594,954 A * 1/1997 Huang A41D 13/065
2/16

D377,851 S * 2/1997 Dancyger D29/121.1
D406,407 S * 3/1999 Popowski D29/121.1
5,946,737 A 9/1999 Fleege
D434,878 S 12/2000 Bonaventure et al.
D492,068 S * 6/2004 Peterson D29/121.1
D594,161 S 6/2009 Worden
D638,995 S * 5/2011 Hanlon A41D 13/08
D29/121.1
D665,539 S * 8/2012 Manalo D29/120.1

(Continued)

OTHER PUBLICATIONS

Youtube, "Men's Elbow—Baseball", first available Jun. 6, 2010.
(https://www.youtube.com/watch?v=-oVwcmMYRw8&feature=emb_title) (Year: 2010).*

(Continued)

Primary Examiner — April Rivas
Assistant Examiner — Justin A Johnson
(74) *Attorney, Agent, or Firm* — Terence P. O'Brien

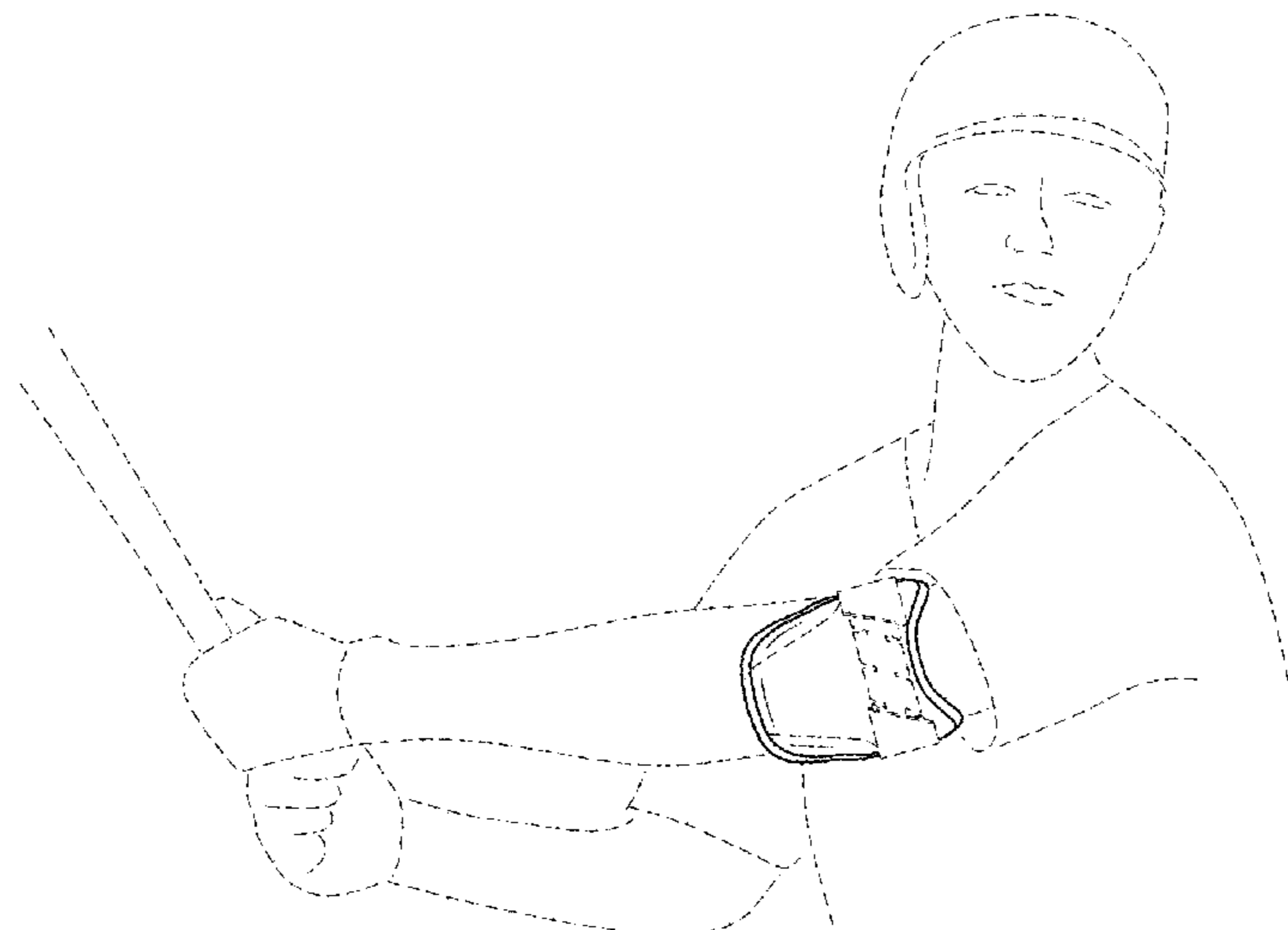
(57) **CLAIM**

I claim the ornamental design for an elbow guard, as shown and described.

DESCRIPTION

FIG. 1 is a front perspective view of an elbow guard being worn by a baseball player;
FIG. 2 is a top, side perspective view of the elbow guard of FIG. 1;
FIG. 3 is a front view of the elbow guard of FIG. 1;
FIG. 4 is a rear view of the elbow guard of FIG. 1;
FIG. 5 is a left-side view of the elbow guard of FIG. 1;
FIG. 6 is a right-side view of the elbow guard of FIG. 1;
FIG. 7 is a top view of the elbow guard of FIG. 1; and,
FIG. 8 is a bottom view of the elbow guard of FIG. 1.
The dashed lines shown in FIGS. 1 through 8 are included for the purpose of illustrating environmental elements only and form no part of the claimed design.

1 Claim, 5 Drawing Sheets



(56)

References Cited

U.S. PATENT DOCUMENTS

D678,536 S * 3/2013 Niefer A41D 13/065
D24/190
D733,365 S * 6/2015 Hassler D29/121.1
D783,845 S * 4/2017 Peluso D24/190
D831,279 S * 10/2018 Troxell A61F 13/102
D29/121.1
D837,459 S * 1/2019 Stobar D29/121.1
2016/0249692 A1 * 9/2016 Guidetti A41D 13/08
2/16

OTHER PUBLICATIONS

Amazon, "Boombah DEFCON Elbow Guard Black", first available Apr. 20, 2017. (https://www.amazon.com/Boombah-DEFCON-Elbow-Guard-Black/dp/B06ZYTTMGV/ref=cm_cr_ar_p_d_product_top?ie=UTF8) (Year: 2017).*

Amazon, "EvoShield PRO-SRZ Batter's Elbow Guard Series", first available Apr. 16, 2019. (<https://www.amazon.com/EvoShield-PRO-SRZ-Batters-Elbow-Guard/dp/B07QJQSQHC?th=1>) (Year: 2019).*

Evoshield, "EvoShield SRZ-1 Batter's Elbow Guard", first available Apr. 2020. (<https://www.evoshield.com/en-us/protective-gear/elbow-guards/srz-1tm-batter-s-elbow-guard>) (Year: 2020).*

* cited by examiner

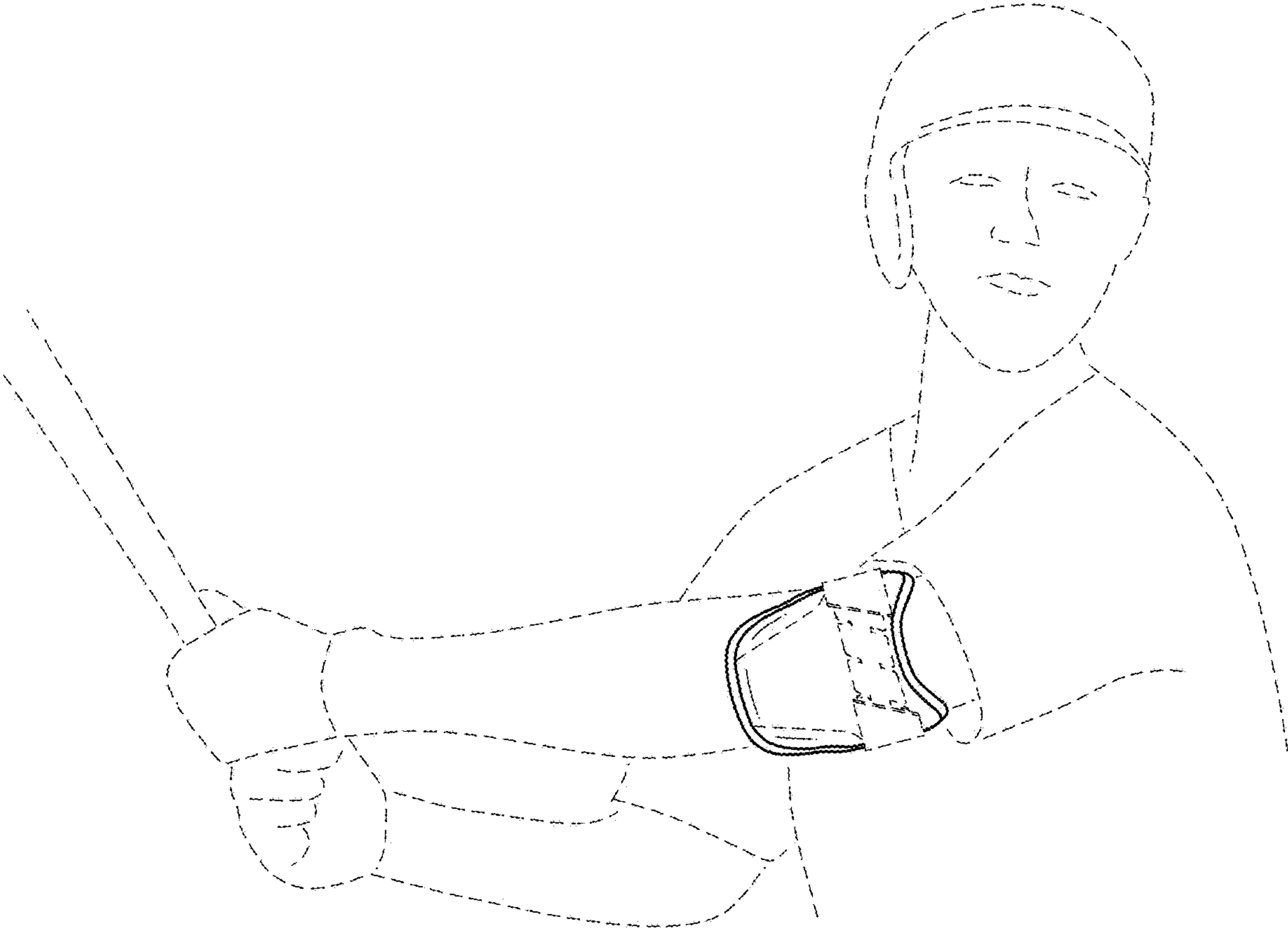


FIG. 1

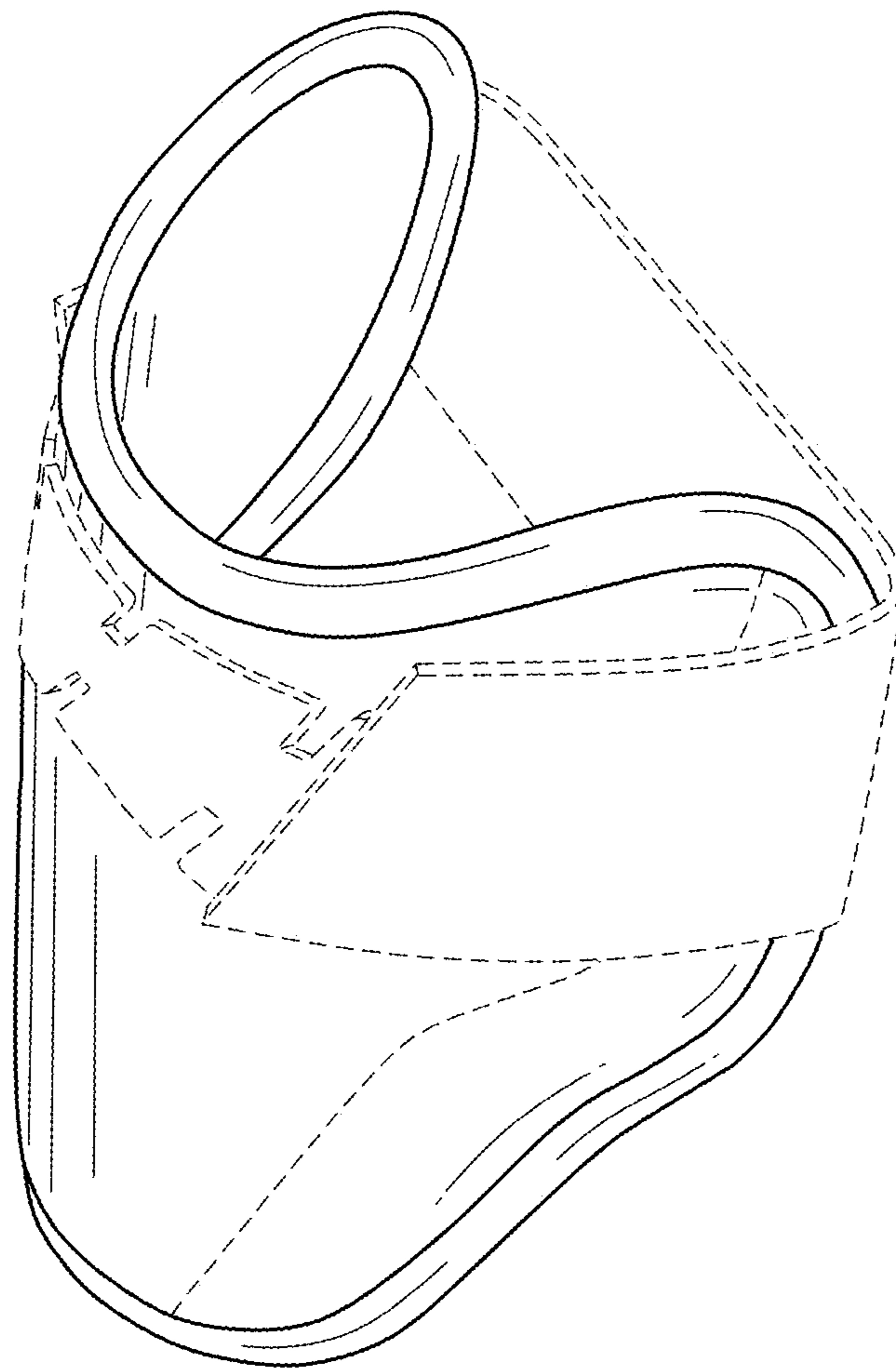


FIG. 2

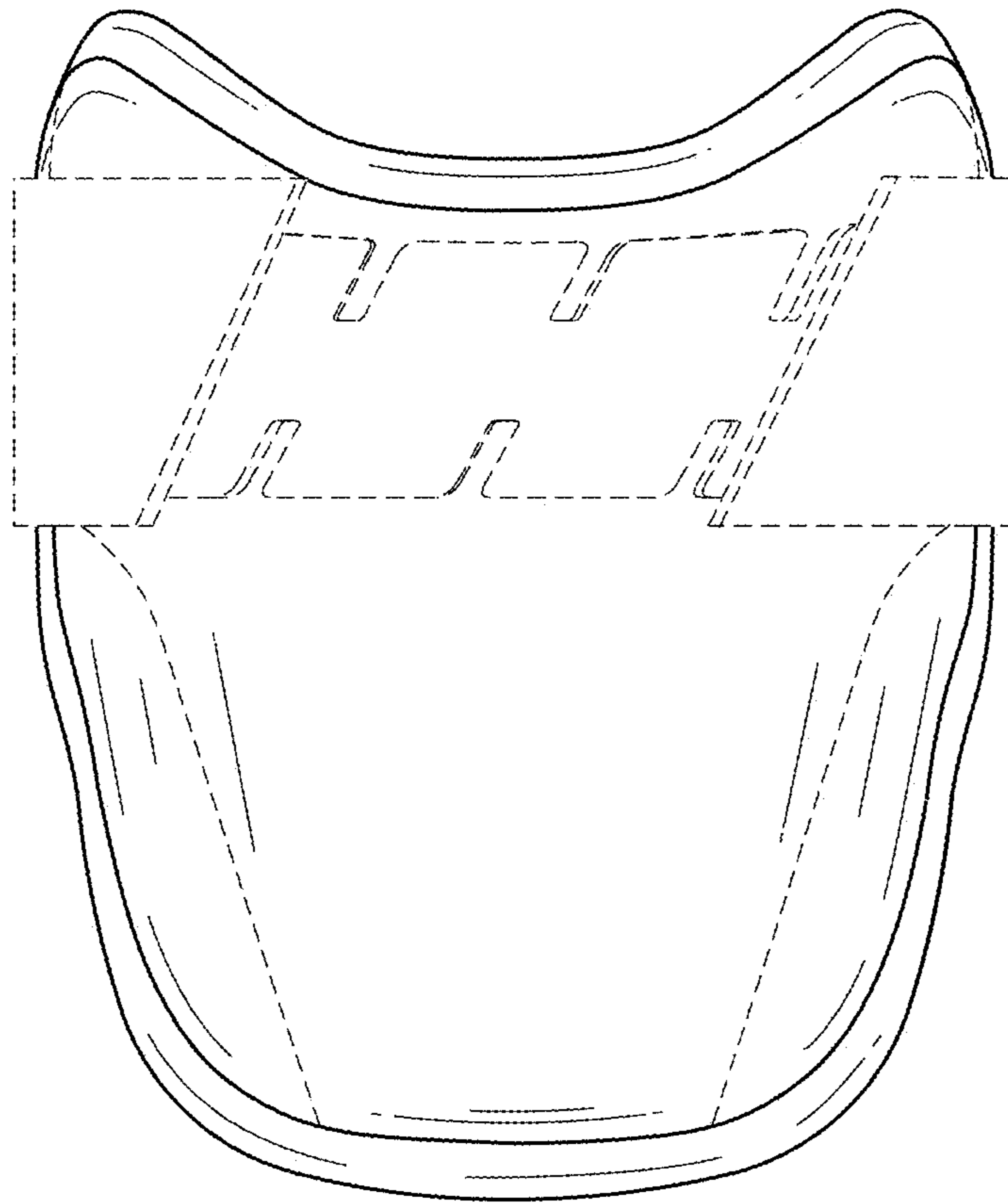


FIG. 3

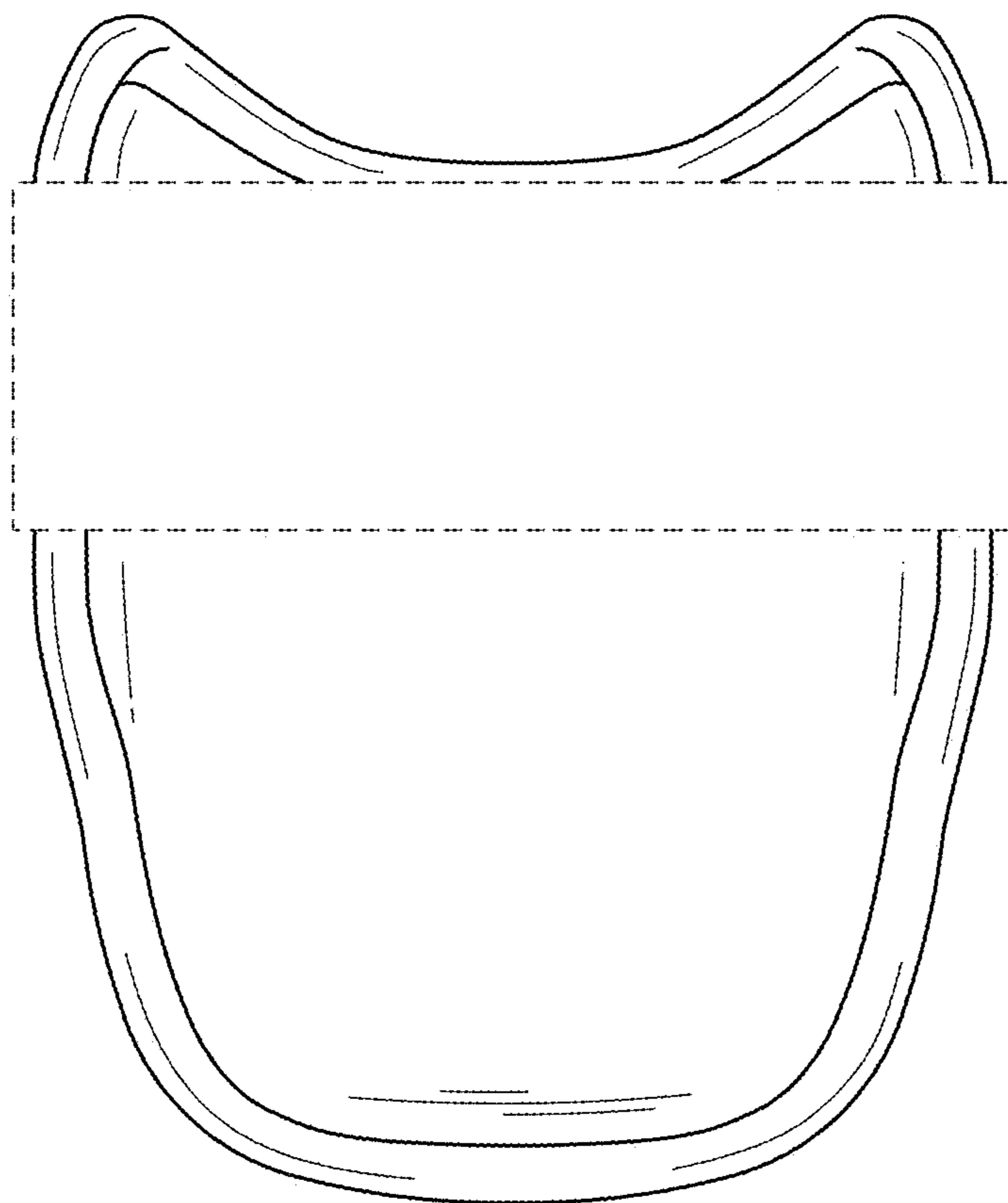


FIG. 4

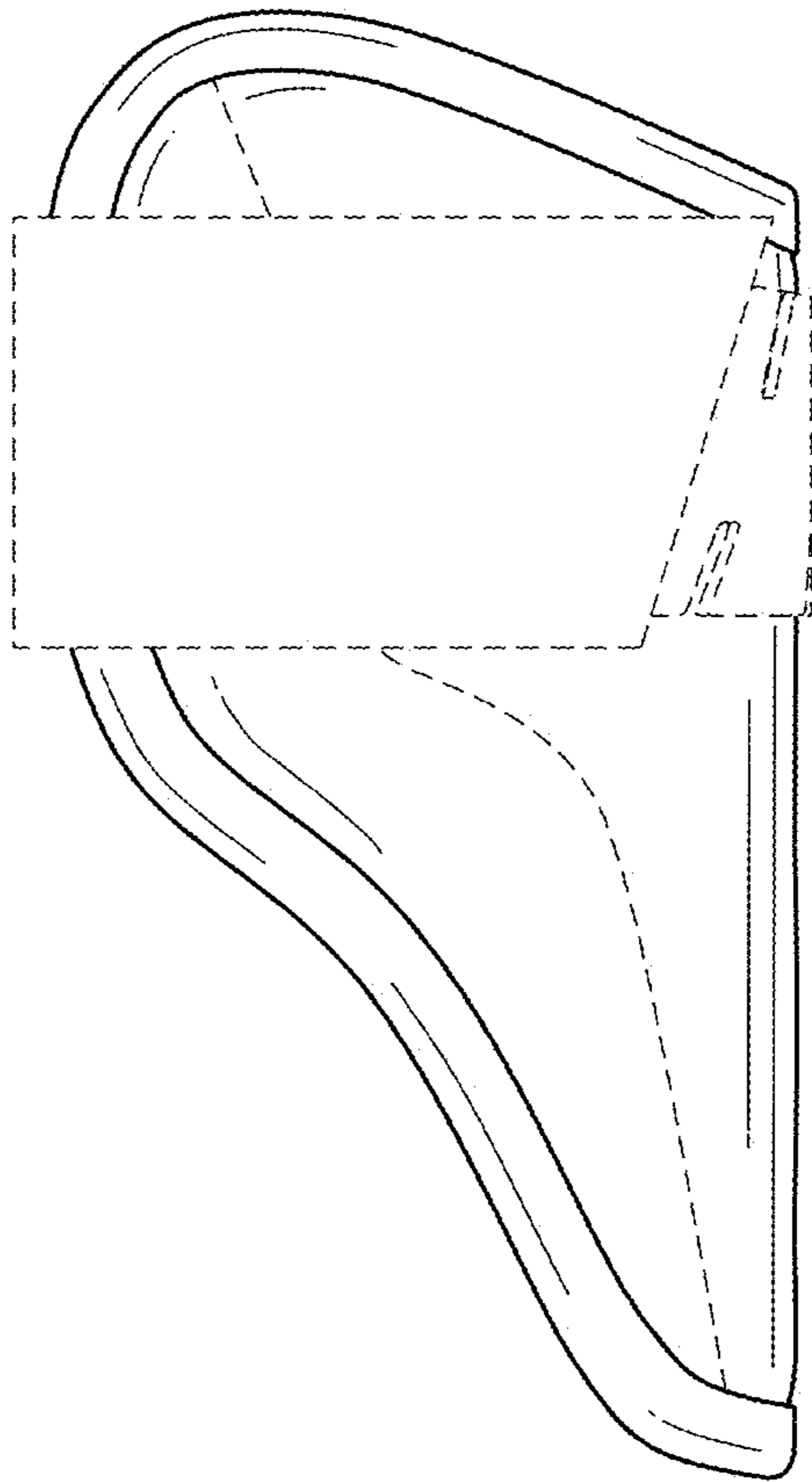


FIG. 5

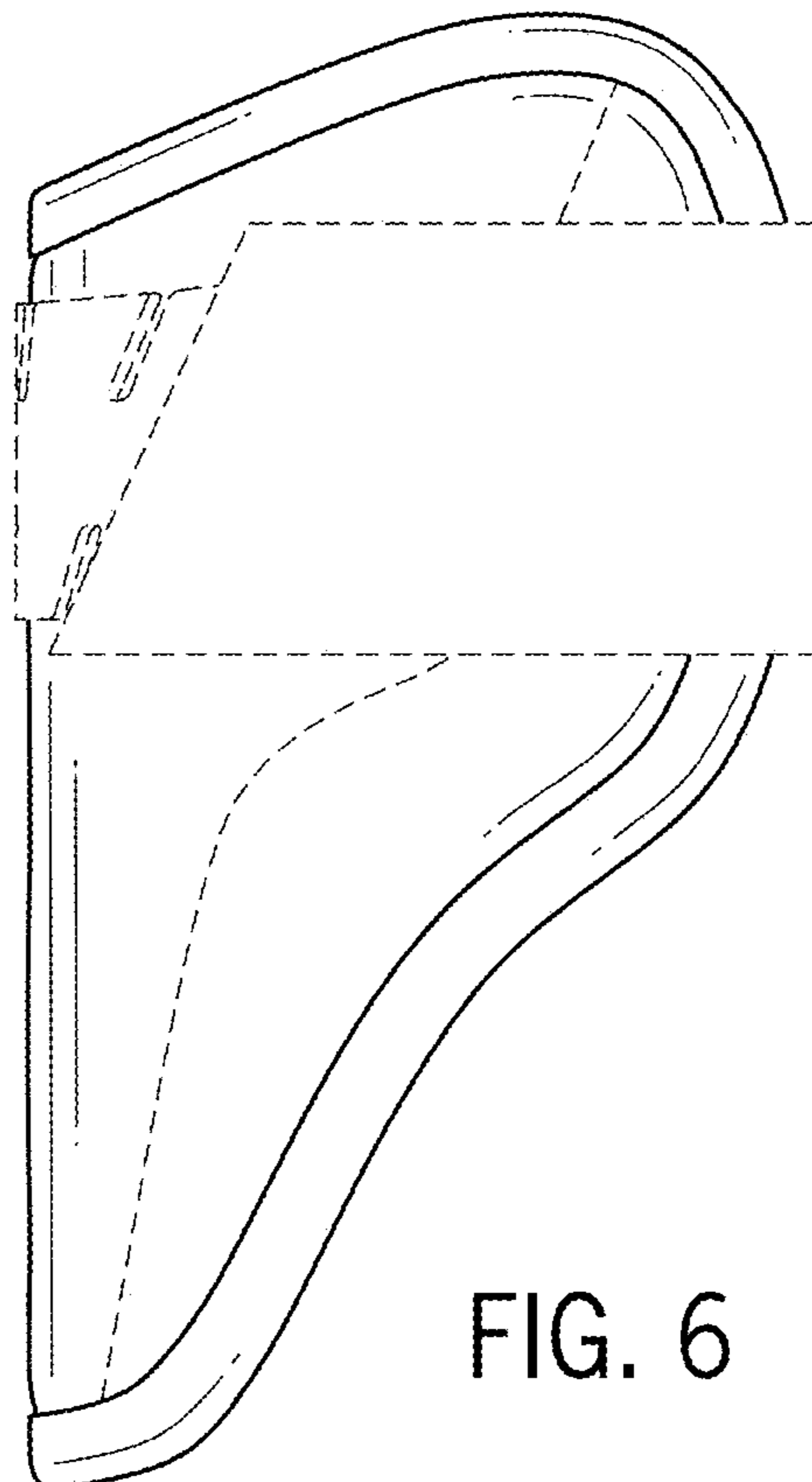


FIG. 6

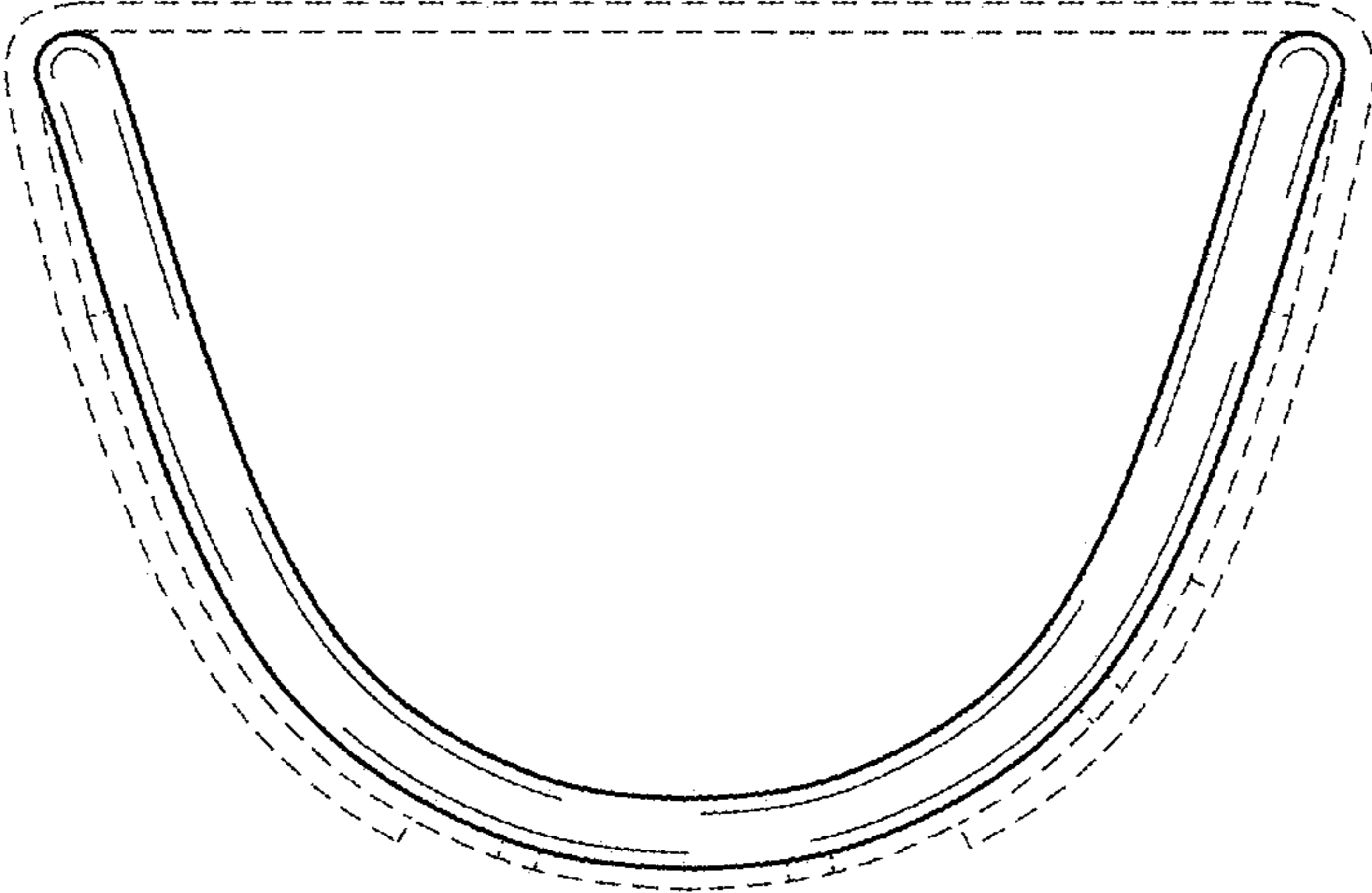


FIG. 7

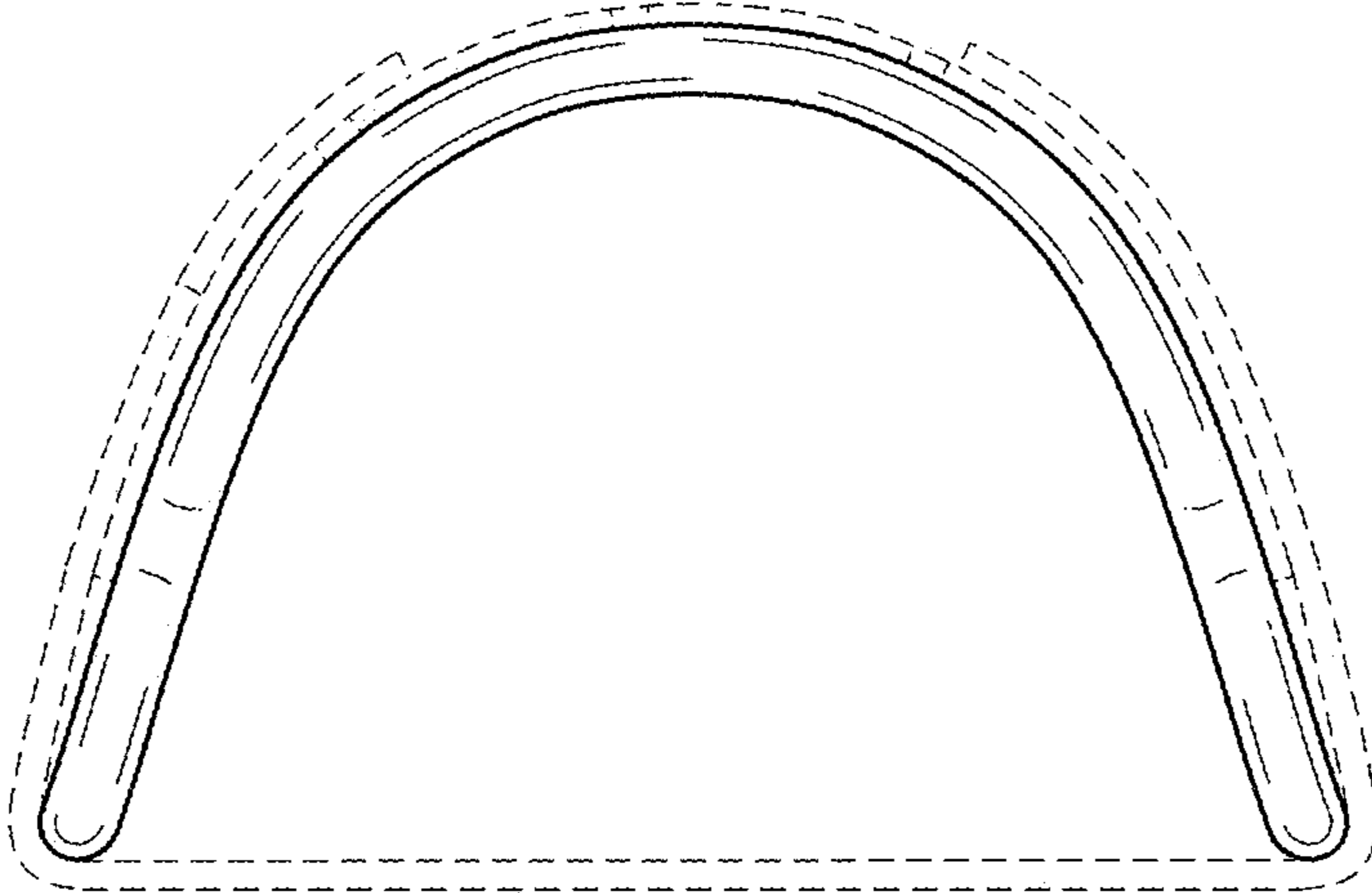


FIG. 8