

US00D914990S

(12) **United States Design Patent**
Whiteside

(10) **Patent No.:** **US D914,990 S**

(45) **Date of Patent:** **** Mar. 30, 2021**

(54) **WORK GLOVE**

(71) Applicant: **Midwest Quality Gloves, Inc.**,
Chillicothe, MO (US)

(72) Inventor: **Anne Walters Whiteside**, Chillicothe,
MO (US)

(73) Assignee: **Midwest Quality Gloves, Inc.**,
Chillicothe, MO (US)

(**) Term: **15 Years**

(21) Appl. No.: **29/695,335**

(22) Filed: **Jun. 18, 2019**

(51) **LOC (13) Cl.** **02-06**

(52) **U.S. Cl.**
USPC **D29/117.2; D2/617**

(58) **Field of Classification Search**
USPC D2/617, 619; D29/117.2, 117.1
CPC ... A41D 19/015; A41D 19/00; A41D 2600/20
See application file for complete search history.

(56) **References Cited**

U.S. PATENT DOCUMENTS

168,836 A	10/1875	Hall	
2,187,430 A	1/1940	Olmsted	
3,868,985 A	3/1975	Georges	
D240,975 S *	8/1976	Gregory D29/117.1
4,663,231 A	5/1987	Girgis et al.	
D347,709 S	6/1994	Pearson	
5,322,729 A	6/1994	Heeter et al.	
5,625,900 A	5/1997	Hayes	
5,706,522 A	1/1998	Bailarino et al.	
5,740,551 A	4/1998	Walker	
D398,086 S	9/1998	Ferdenzi	
5,822,791 A	10/1998	Baris	
5,942,452 A	8/1999	Daponte et al.	
6,044,494 A	4/2000	Kang	
6,081,928 A	7/2000	Bourne	

6,265,191 B1	7/2001	Mizusawa et al.	
D445,996 S *	8/2001	Kiernan D2/617
6,374,417 B1	4/2002	Stagnitta	
6,395,656 B1	5/2002	Jin et al.	

(Continued)

FOREIGN PATENT DOCUMENTS

JP 11012820 A 1/1999

OTHER PUBLICATIONS

Men's Heavy Duty Work Gloves, posted at amazon.com, posting date Oct. 15, 2006, [online], [site visited Oct. 23, 2020]. Available from Internet, URL: <https://www.amazon.com/100-gram-Insulation-Wells-Lamont-5235M/dp/B000HHM0AO> (Year: 2006).*

(Continued)

Primary Examiner — George D. Kirschbaum

Assistant Examiner — Maria J. Edwards

(74) *Attorney, Agent, or Firm* — Erickson Kernell IP, LLC; Ginnie C. Derousseau

(57) **CLAIM**

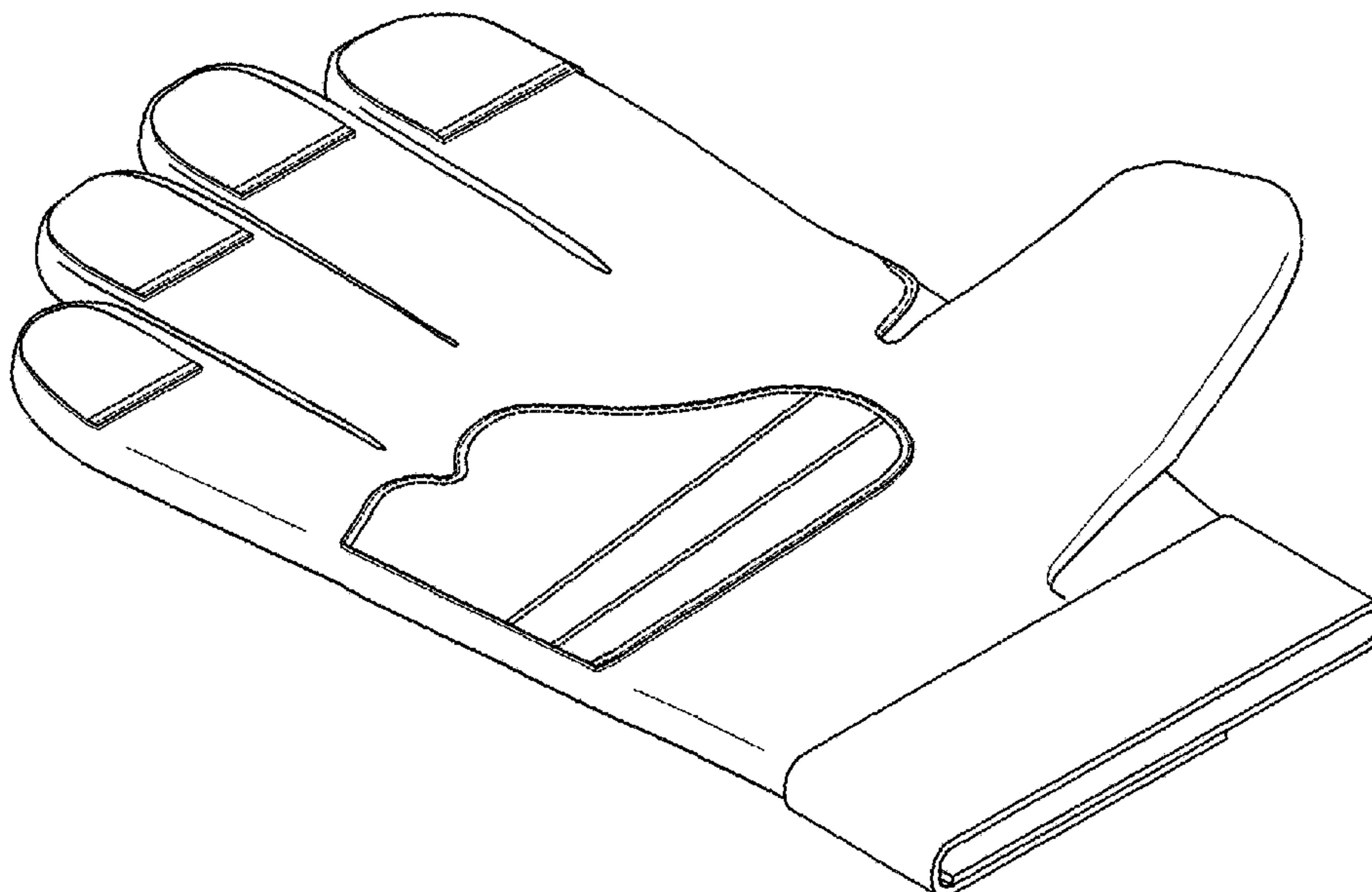
The ornamental design for a work glove, as shown and described.

DESCRIPTION

FIG. 1 is a perspective view of the work glove in accordance with the present invention; FIG. 2 is a first plan view of the work glove of FIG. 1; FIG. 3 is a side view of the work glove of FIG. 2; FIG. 4 is a second side view of the work glove of FIG. 2; FIG. 5 is a first end view of the work glove of FIG. 2; FIG. 6 is a second end view of the work glove of FIG. 2; and, FIG. 7 is a second, opposite plan view of the work glove of FIG. 2.

The broken lines illustrate portions of the work glove and form part of the claimed design.

1 Claim, 4 Drawing Sheets



(56)

References Cited

U.S. PATENT DOCUMENTS

6,526,593 B2 3/2003 Sajovic
 6,649,013 B2 11/2003 Jin et al.
 6,772,444 B2 8/2004 Tremblay-Latter
 D530,058 S 10/2006 Kishihara
 7,284,263 B2 10/2007 Mack et al.
 D565,802 S 4/2008 Schuller
 D589,679 S * 4/2009 Rolfe D2/617
 7,788,737 B2 9/2010 Baker
 D631,613 S 1/2011 Yang
 D649,328 S 11/2011 Copeland
 D651,359 S * 12/2011 Bulan D29/117.1
 D656,684 S * 3/2012 Carroll D29/117.1
 D752,818 S 3/2016 Lai
 D764,718 S 8/2016 Sibblies
 9,468,837 B2 10/2016 Ramirez
 D779,781 S * 2/2017 Votel D2/617
 D780,380 S 2/2017 Daniels
 D792,676 S 7/2017 Mikesell
 D816,941 S 5/2018 Michaelson
 D824,640 S * 8/2018 Votel D2/621
 D828,632 S * 9/2018 Coubard D29/117.1

D839,488 S 1/2019 Whiteside
 2008/0022436 A1 1/2008 Hull
 2015/0181955 A1 7/2015 Hughes
 2017/0142931 A1 5/2017 Michaelson

OTHER PUBLICATIONS

RW Rugged Wear Gloves, posted at menards.com, no posting date, [online], [site visited Oct. 23, 2020]. Available at URL: <https://www.menards.com/main/grocery-home/clothing-accessories/gloves/work-gloves/rw-rugged-wear-reg-mens-split-cowhide-leather-palm-leather-work-gloves/rw86014-l/p-1471355379516.htm> (Year: 2020).*

Women's Heavy Duty Work Gloves, posted at amazon.com, posting date Feb. 17, 2007, [online], [site visited Oct. 23, 2020]. Available from Internet, URL: <https://www.amazon.com/Womens-Leather-Wells-Lamont-4113M/dp/B000BQWLEG> (Year: 2007).*

MidWest Quality Gloves catalog, p. 2, Copyright 1988, Chillicothe, MO.

MidWest Quality Gloves catalog, pp. 1-16 and insert, Copyright 2014, Chillicothe, MO.

* cited by examiner

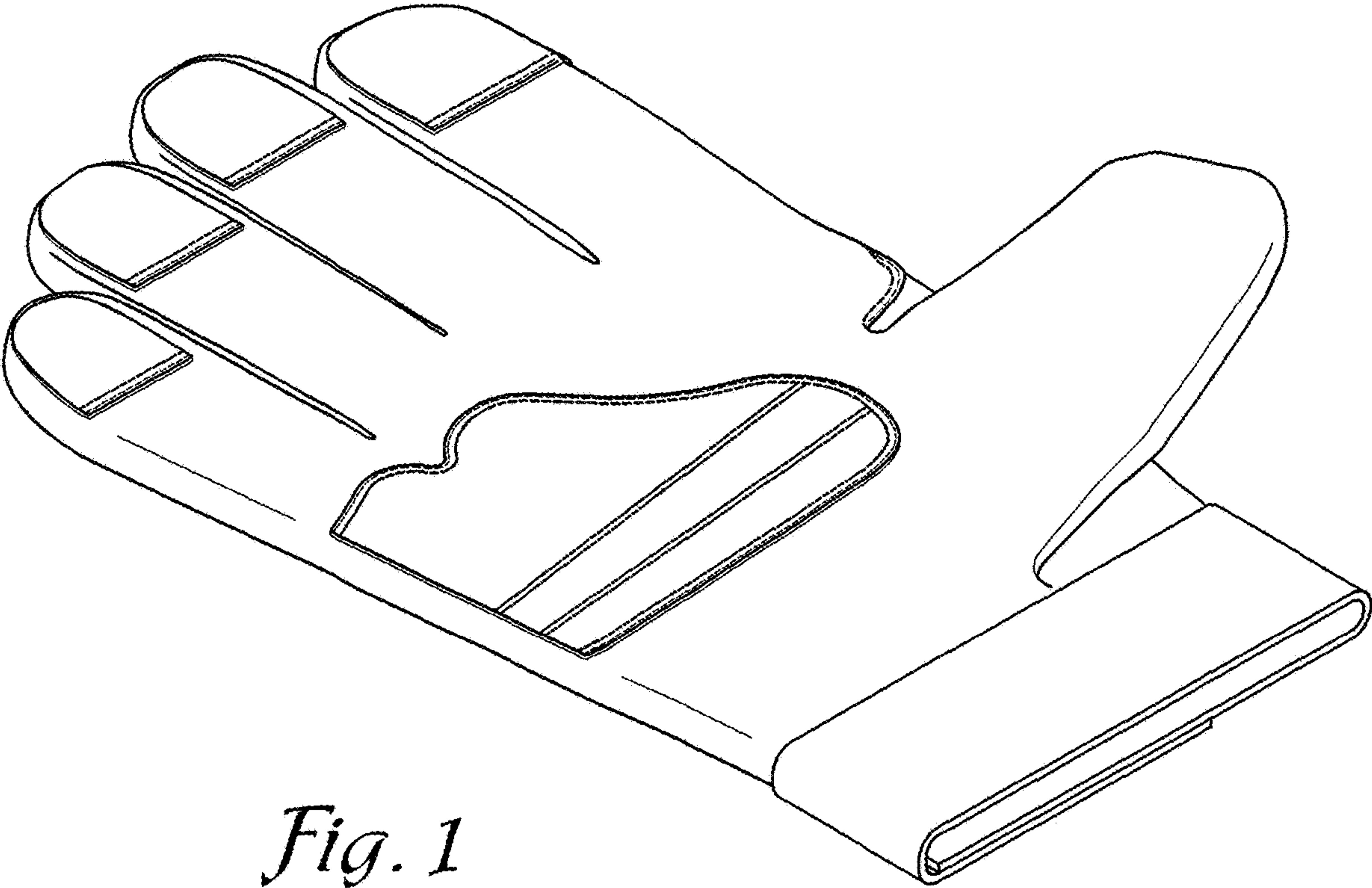


Fig. 1

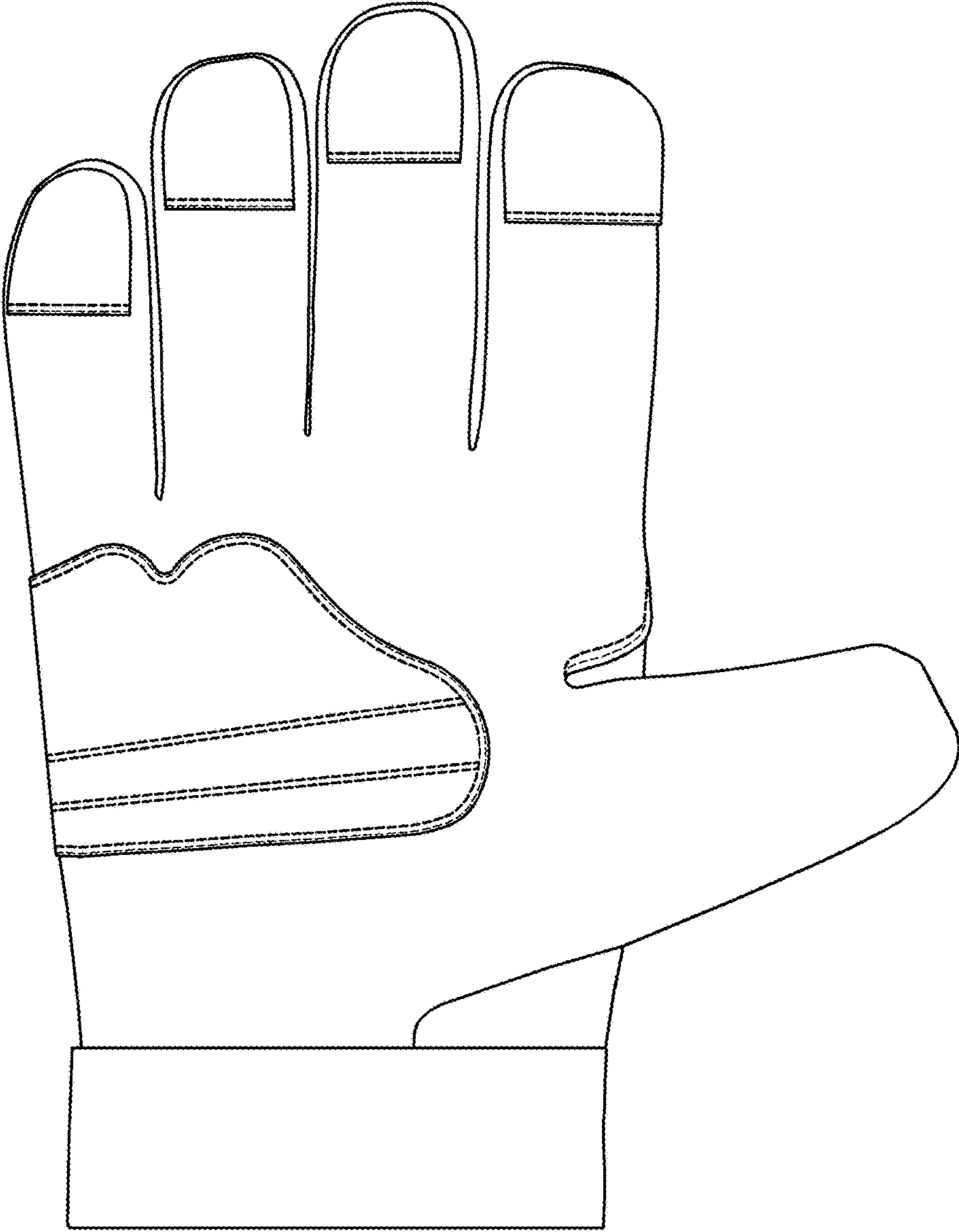


Fig. 2

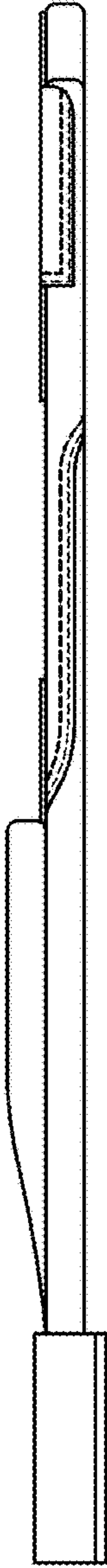


Fig. 3

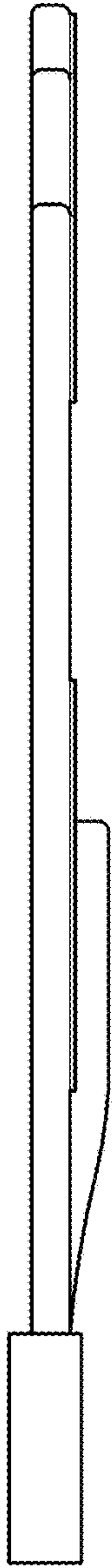


Fig. 4

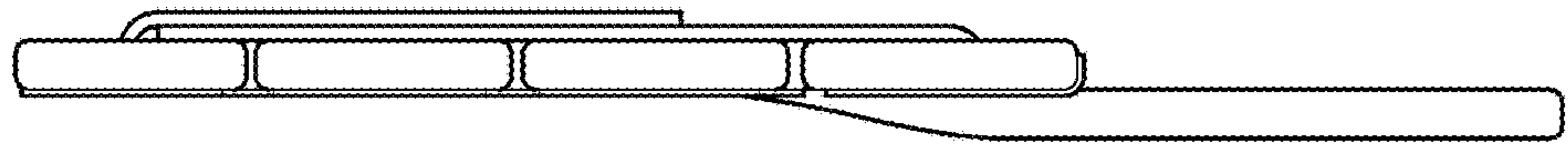


Fig. 5

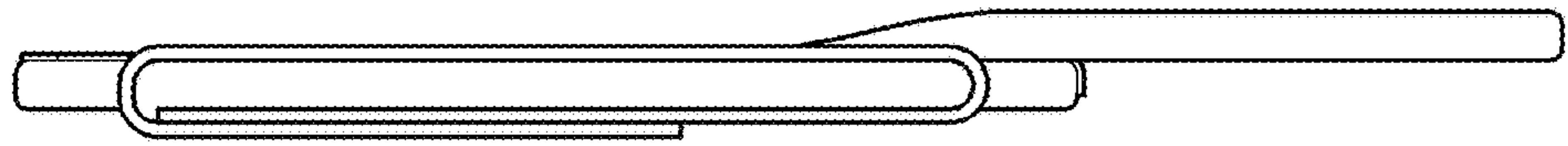


Fig. 6

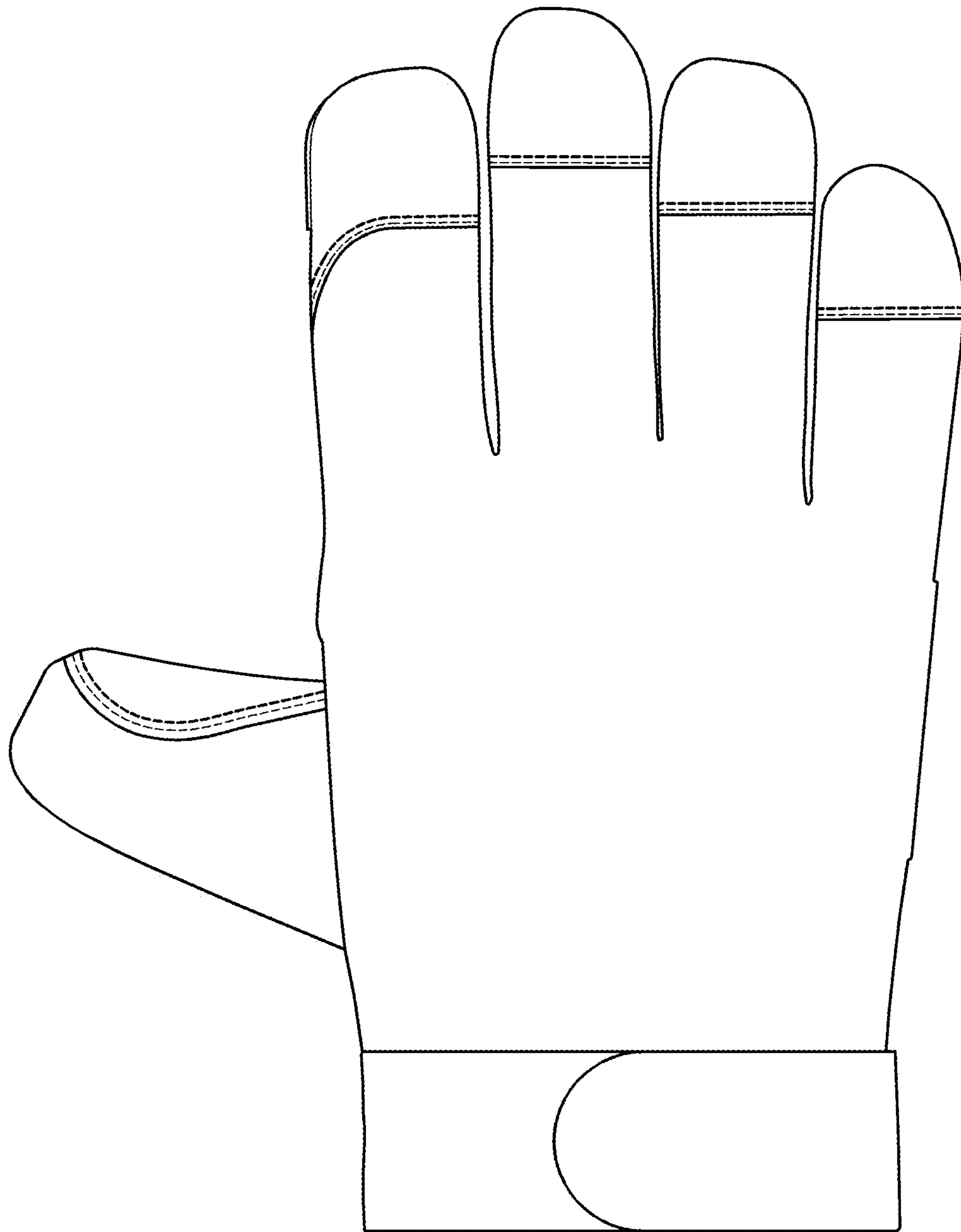


Fig. 7