



US00D914989S

(12) **United States Design Patent**  
**Gray**

(10) **Patent No.:** **US D914,989 S**

(45) **Date of Patent:** **\*\* Mar. 30, 2021**

(54) **HAIR EXTENSION ACCESSORY**

(71) Applicant: **Natasha S. Gray**, Houston, TX (US)

(72) Inventor: **Natasha S. Gray**, Houston, TX (US)

(\*\*) Term: **15 Years**

(21) Appl. No.: **29/671,704**

(22) Filed: **Nov. 29, 2018**

(51) **LOC (13) Cl.** ..... **28-04**

(52) **U.S. Cl.**  
USPC ..... **D28/93**

(58) **Field of Classification Search**

USPC ..... D28/10, 11, 12, 13, 14, 15, 16, 17, 18,  
D28/19, 20, 39, 41, 42, 73, 76, 77, 78,  
D28/79, 81, 82, 83, 84, 91, 91.2, 92, 93  
CPC ..... A41G 3/00; A41G 3/0008; A41G 3/0033;  
A41G 3/0041; A41G 5/00; A41G 5/0006;  
A41G 5/004; A41G 5/0046; A41G  
5/0053; A41G 5/006; A41G 5/0073;  
A41G 5/008; A41G 5/0093; A41D 20/00;  
A45D 8/00; A45D 8/34; A45D 8/36;  
A45D 2008/002; A45D 2008/004; A45D  
19/06; A45D 19/08; A45D 19/12; A61H  
2205/081; A46B 9/02; A46B 9/06; A46B  
1/00; A46B 3/00; A46B 3/005; A46B  
5/00; A46B 5/02; A46B 5/021; A47K  
7/02; A47K 7/022

See application file for complete search history.

(56) **References Cited**

**U.S. PATENT DOCUMENTS**

3,385,305 A \* 5/1968 Buzzelli ..... A41G 3/00  
132/105  
D250,296 S \* 11/1978 Breland ..... D2/877  
D267,831 S \* 2/1983 Sucato ..... D2/865  
D692,185 S 10/2013 Gray  
D704,891 S \* 5/2014 Park ..... D28/92  
9,027,568 B2 \* 5/2015 Lee ..... A41G 3/005  
132/201  
D767,210 S \* 9/2016 Sato ..... D28/92

D832,525 S \* 10/2018 Sato ..... D28/92  
D858,893 S \* 9/2019 Sikes ..... D28/93  
D869,093 S \* 12/2019 Jhin ..... D28/92  
2002/0179108 A1 \* 12/2002 Harrison ..... A41G 3/00  
132/201  
2004/0139978 A1 \* 7/2004 Anzivino ..... A41G 3/0041  
132/54  
2006/0130863 A1 \* 6/2006 Chung ..... A41G 3/0041  
132/54

(Continued)

**FOREIGN PATENT DOCUMENTS**

EP 182599 A2 \* 11/1985  
JP 2001299433 A \* 10/2001 ..... A61K 8/375

(Continued)

**OTHER PUBLICATIONS**

Hair Toppers For Thinning Crown, announced Nov. 11, 2019  
[online], retrieved Apr. 22, 2020, retrieved from internet, <https://www.haishop.com/15cmx16cm-hair-pieces-hair-toppers-for-thinning-crown-women-18-613.html>.\*

(Continued)

*Primary Examiner* — Dana K Weiland  
*Assistant Examiner* — Messina L Smith  
(74) *Attorney, Agent, or Firm* — Mitchell Law PLLC;  
Matthew W. Mitchell

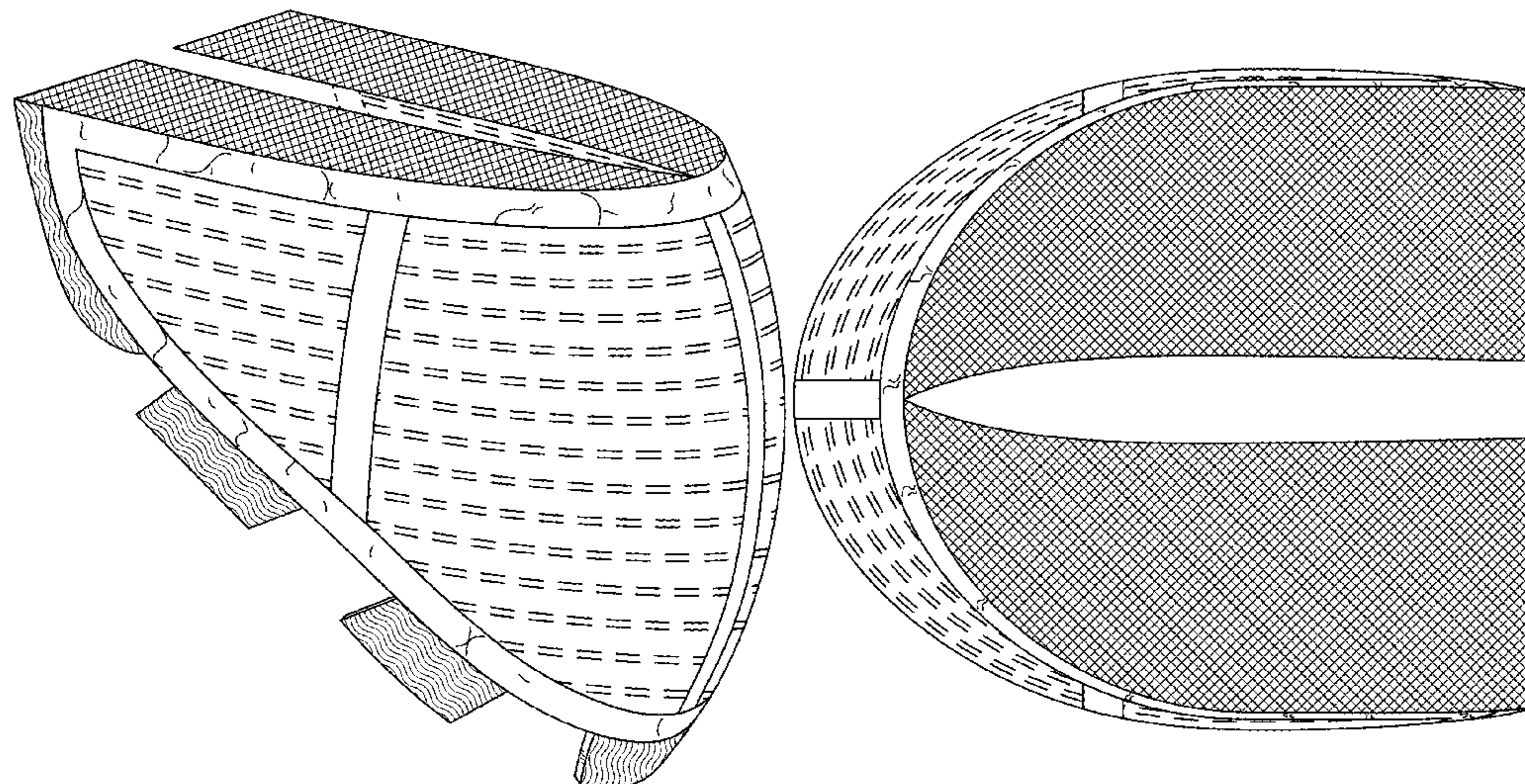
(57) **CLAIM**

The ornamental design for a hair extension accessory, as shown and described.

**DESCRIPTION**

FIG. 1 is a front isometric view of the hair extension accessory showing the new design; and, FIG. 2 is a top plan view thereof. The broken lines shown in the drawings depict portions of the hair extension accessory that form no part of the claimed design.

**1 Claim, 2 Drawing Sheets**



(56)

**References Cited**

U.S. PATENT DOCUMENTS

2006/0260627 A1\* 11/2006 Park ..... A41G 3/005  
132/54  
2007/0034221 A1\* 2/2007 Chung ..... A41G 3/0016  
132/53  
2007/0044814 A1\* 3/2007 Belo ..... A41G 3/00  
132/53  
2007/0221244 A1\* 9/2007 Lane ..... A45D 8/00  
132/276  
2010/0192965 A1\* 8/2010 Kang ..... A41G 3/0041  
132/54  
2014/0109925 A1\* 4/2014 Fisher ..... A41G 3/0041  
132/54  
2014/0202481 A1\* 7/2014 Sato ..... A41G 3/005  
132/54  
2014/0299145 A1\* 10/2014 Chira ..... A41G 3/005  
132/53  
2015/0075028 A1\* 3/2015 Agoro ..... A45D 20/00  
34/509  
2016/0113342 A1\* 4/2016 Park ..... A41G 3/005  
132/54  
2016/0157539 A1\* 6/2016 Terrell-Crammer .....  
A41G 3/0075  
132/54  
2016/0262480 A1\* 9/2016 Kim ..... A61B 5/02055

2016/0338437 A1\* 11/2016 Couch ..... A41G 3/0016  
2017/0265549 A1\* 9/2017 Tao ..... A41G 3/005  
2018/0014593 A1\* 1/2018 Suh ..... A41G 3/005  
2018/0055122 A1\* 3/2018 Kim ..... A41G 3/0033  
2018/0220727 A1\* 8/2018 Kasper ..... A41G 5/0073

FOREIGN PATENT DOCUMENTS

JP 2008214833 A \* 9/2008  
JP 2011174192 A \* 9/2011  
JP 2016211096 A \* 12/2016 ..... A41G 3/0033

OTHER PUBLICATIONS

Half Wigs For Women, announced © 2020 [online], retrieved Apr. 22, 2020, retrieved from internet, <https://www.mysecretwigs.com/collections/half-wigs-for-women>.  
10 Colors Bath & Beauty 7 Clip in Elastic Cap Wig, announced © 2020 [online], retrieved Apr. 22, 2020, retrieved from internet, <https://www.lovesboutiques.com/collections/wig/products/10-colors-bath-beauty-7-clip-in-elastic-cap-wig-curly-hair-synthetic-hair-extension-hairpieces-wavy-slice-curly-hairpiece-sch-888-ha>.  
U.S. Appl. No. 29/723,263, Gray, Natasha S.  
U.S. Appl. No. 29/723,254, Gray, Natasha S.

\* cited by examiner



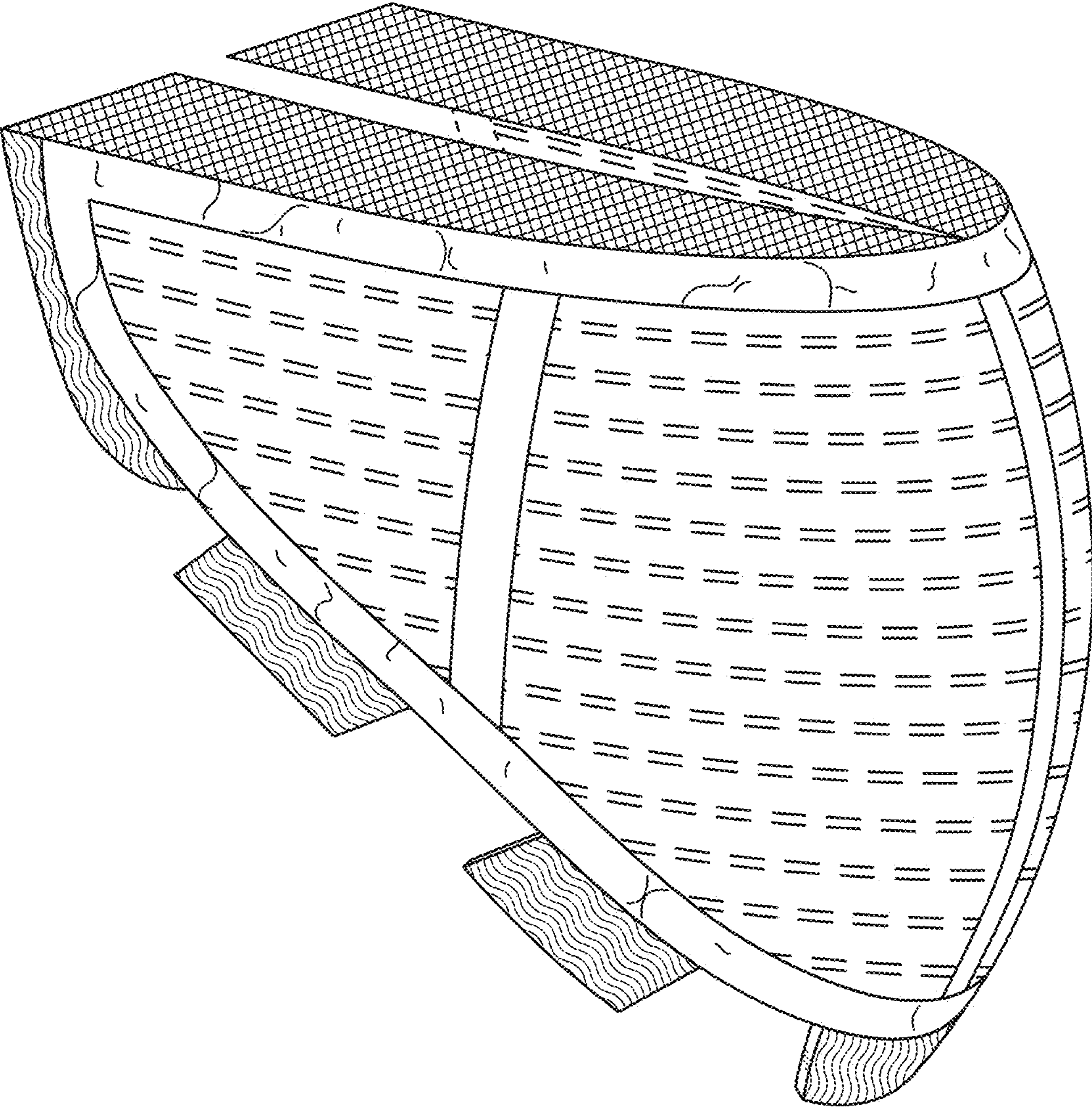


FIG. 1



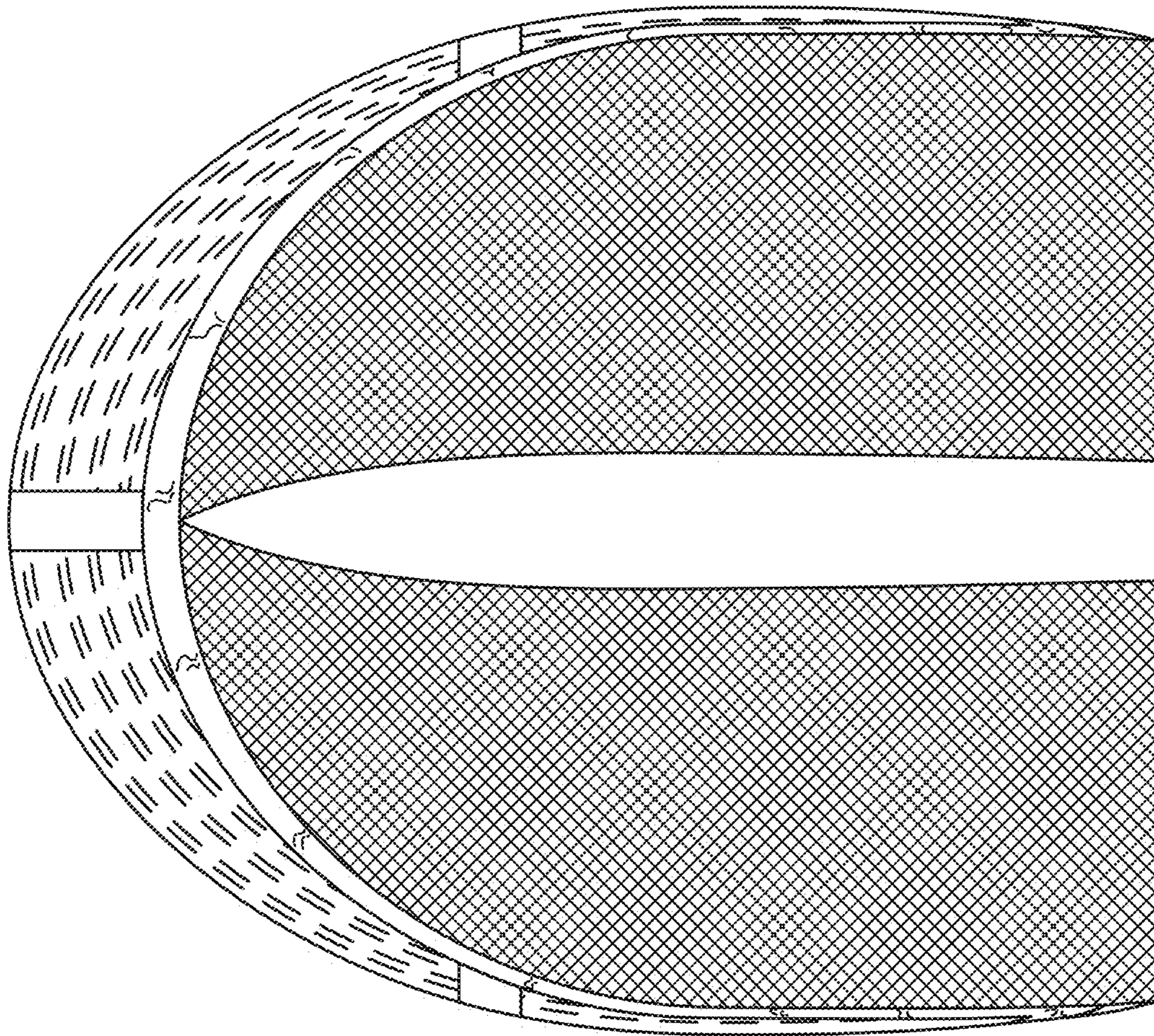


FIG. 2