



US00D914988S

(12) **United States Design Patent** (10) **Patent No.:** **US D914,988 S**  
**LaBonte et al.** (45) **Date of Patent:** **\*\* Mar. 30, 2021**

(54) **BACK SCRATCHER**

(71) Applicants: **Jay L. LaBonte**, Royal Palm Beach, FL (US); **Kathleen F. LaBonte**, Royal Palm Beach, FL (US)

(72) Inventors: **Jay L. LaBonte**, Royal Palm Beach, FL (US); **Kathleen F. LaBonte**, Royal Palm Beach, FL (US)

D329,720 S \* 9/1992 Feliks ..... D28/91.2  
D330,094 S \* 10/1992 Chmura, Jr. .... D28/91.2  
7,275,278 B1 \* 10/2007 Martin ..... A47J 37/0786  
15/236.01  
D583,425 S \* 12/2008 Kushner ..... D21/686  
D633,155 S \* 2/2011 Brun ..... D21/679  
D842,940 S \* 3/2019 Harden ..... D21/679  
D861,183 S \* 9/2019 Jacobs ..... D24/214  
D894,416 S \* 8/2020 French ..... D24/214  
2016/0242991 A1 \* 8/2016 Johnson ..... A61H 7/003  
2019/0015288 A1 \* 1/2019 Merrill ..... A61H 1/00

(\*\*) Term: **15 Years**

(21) Appl. No.: **29/691,892**

(22) Filed: **May 20, 2019**

(51) **LOC (13) Cl.** ..... **28-99**

(52) **U.S. Cl.**  
USPC ..... **D28/91.2**

(58) **Field of Classification Search**  
USPC ..... D28/91.2; D24/214, 215; D30/158;  
D32/49; D21/679

CPC ..... A61H 7/00; A61H 7/001; A61H 7/002;  
A61H 7/003

See application file for complete search history.

(56) **References Cited**

**U.S. PATENT DOCUMENTS**

D225,755 S \* 1/1973 Hale ..... D21/400  
D264,543 S \* 5/1982 Ashley ..... D32/49  
D269,812 S \* 7/1983 Lancellotti ..... D24/171  
D274,829 S \* 7/1984 Bankier ..... D21/679  
4,574,788 A \* 3/1986 Jordan ..... A61H 7/003  
601/137

\* cited by examiner

*Primary Examiner* — Jennifer Rivard

*Assistant Examiner* — Alison M Ofstun

(74) *Attorney, Agent, or Firm* — Quickpatents, LLC;  
Kevin Prince

(57) **CLAIM**

The ornamental design for a back scratcher, as shown and described.

**DESCRIPTION**

FIG. 1 is a perspective view of a back scratcher, showing our new design;

FIG. 2 is a front elevational view of FIG. 1;

FIG. 3 is a rear elevational view of FIG. 1;

FIG. 4 is a left-side elevational view of FIG. 1;

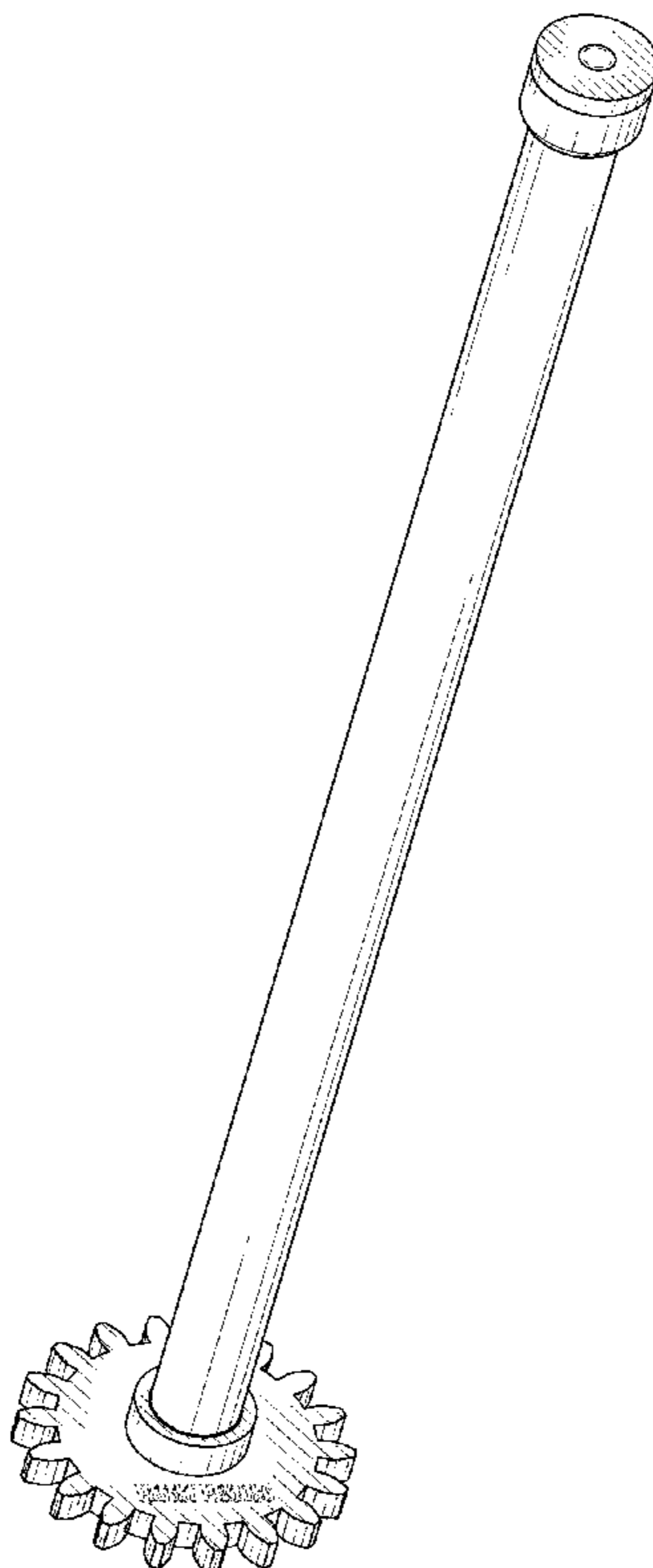
FIG. 5 is a right-side elevational view of FIG. 1;

FIG. 6 is a top plan view of FIG. 1; and,

FIG. 7 is a bottom plan view of FIG. 1.

In the drawings, the broken lines illustrate portions of the article which form no part of the claimed design.

**1 Claim, 3 Drawing Sheets**



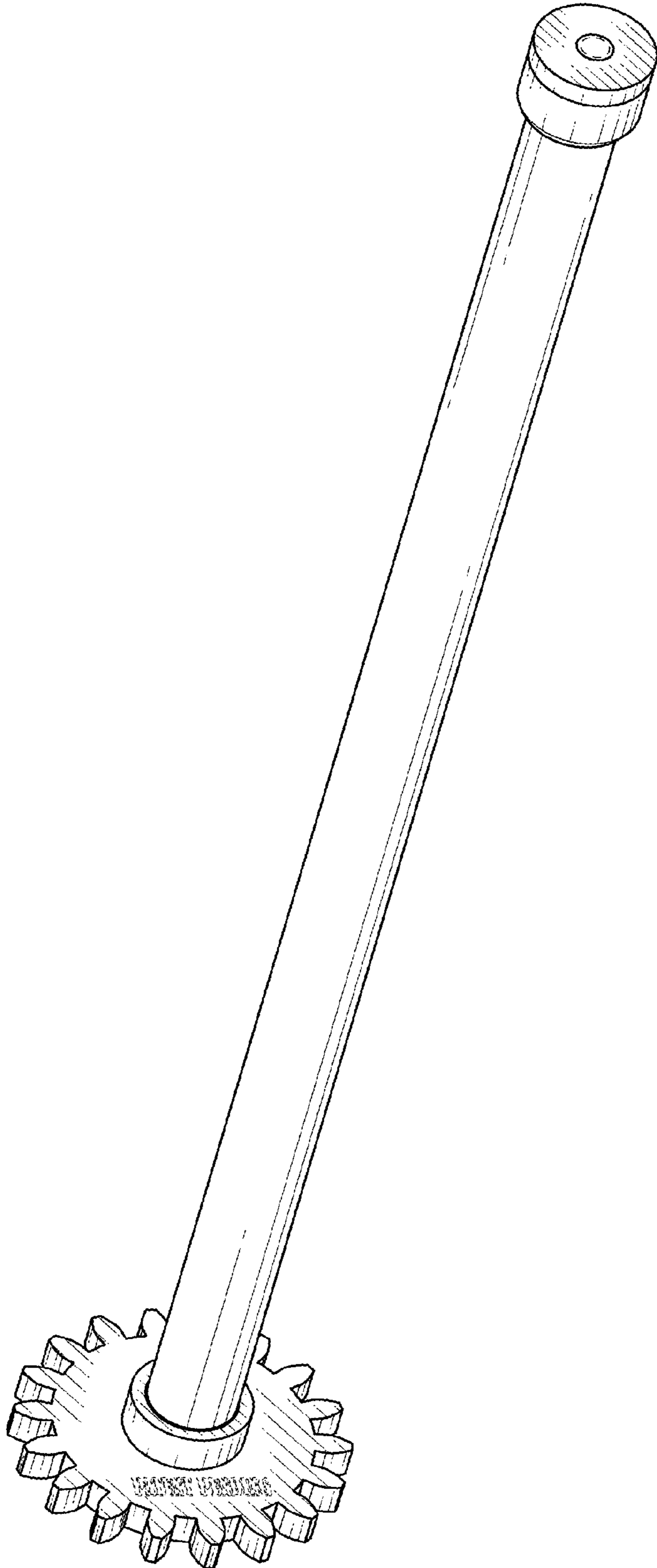


FIG. 1

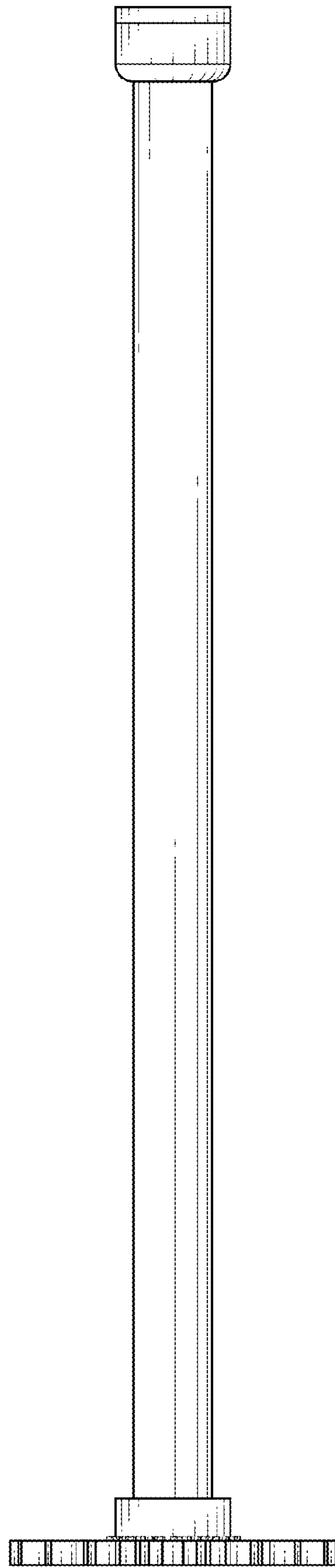


FIG. 2

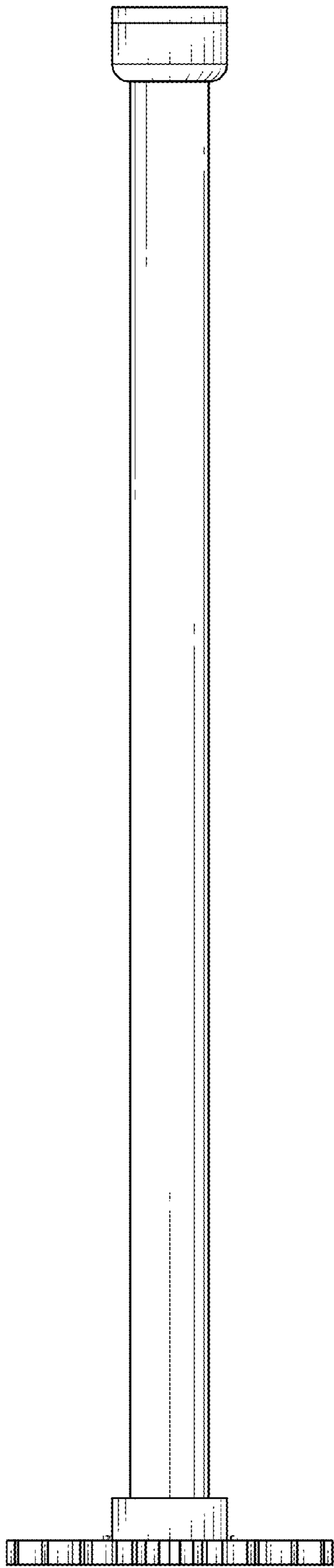


FIG. 3

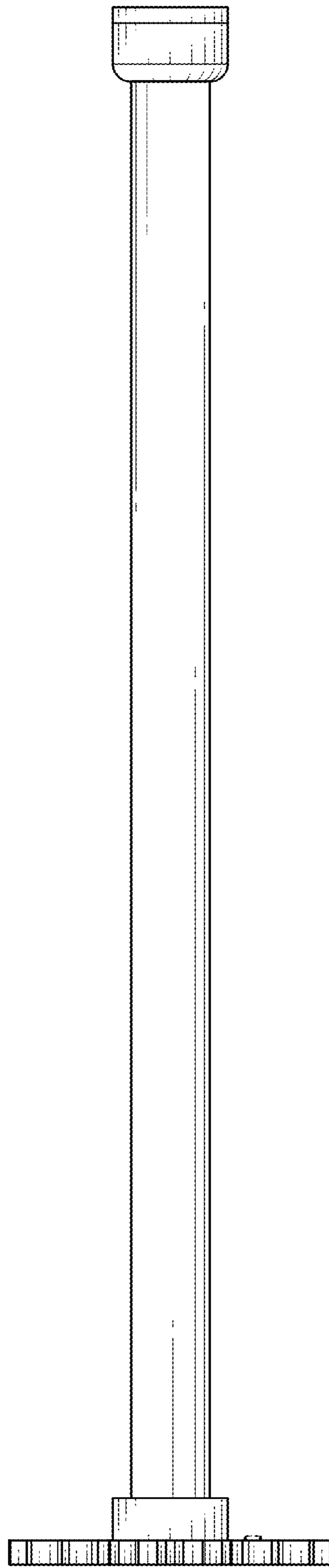


FIG. 4

