



US00D914986S

(12) **United States Design Patent**
Min

(10) **Patent No.:** **US D914,986 S**
(45) **Date of Patent:** **** Mar. 30, 2021**

(54) **EYE SHADOW CASE**
(71) Applicant: **Baram International Co., Ltd.**, Seoul (KR)
(72) Inventor: **Seul Ki Min**, Seoul (KR)
(73) Assignee: **BARAM INTERNATIONAL CO., LTD.**, Seoul (KR)

D309,511 S * 7/1990 Bertlin D28/78
D313,288 S * 12/1990 Bakic D28/77
D314,066 S * 1/1991 Bakic D28/77
D318,144 S * 7/1991 Scarpa D28/78
D351,345 S * 10/1994 Geho D9/430
D552,982 S * 10/2007 Liebe D28/78
D831,890 S * 10/2018 Von Drachenberg D28/83

(Continued)

(**) Term: **15 Years**
(21) Appl. No.: **29/701,076**
(22) Filed: **Aug. 8, 2019**

OTHER PUBLICATIONS

Dear Dahlia Blooming Edition Review, The Try It Chick, published on Aug. 30, 2020, retrieved on Oct. 5, 2020, retrieved from the Internet URL: <https://www.youtube.com/watch?v=8WqKX8a0IYg>.*

(Continued)

(30) **Foreign Application Priority Data**
Jul. 15, 2019 (KR) 30-2019-0033769
(51) **LOC (13) Cl.** **28-03**
(52) **U.S. Cl.**
USPC **D28/78**
(58) **Field of Classification Search**
USPC D28/7, 9, 76-85, 87-90, 99; D9/414, D9/424, 430, 432, 456, 499, 503, 529, D9/516, 556, 686, 738, 566, 651; D19/102, 103, 106, 112
CPC A45D 33/00; A45D 33/003; A45D 33/006; A45D 33/008; A45D 33/025; A45D 33/06; A45D 33/14; A45D 33/18; A45D 33/22; A45D 33/24; A45D 33/26; A45D 34/048; A45D 34/06
See application file for complete search history.

Primary Examiner — Jennifer Rivard
Assistant Examiner — Alison M Ofstun
(74) *Attorney, Agent, or Firm* — Hauptman Ham, LLP

(57) **CLAIM**

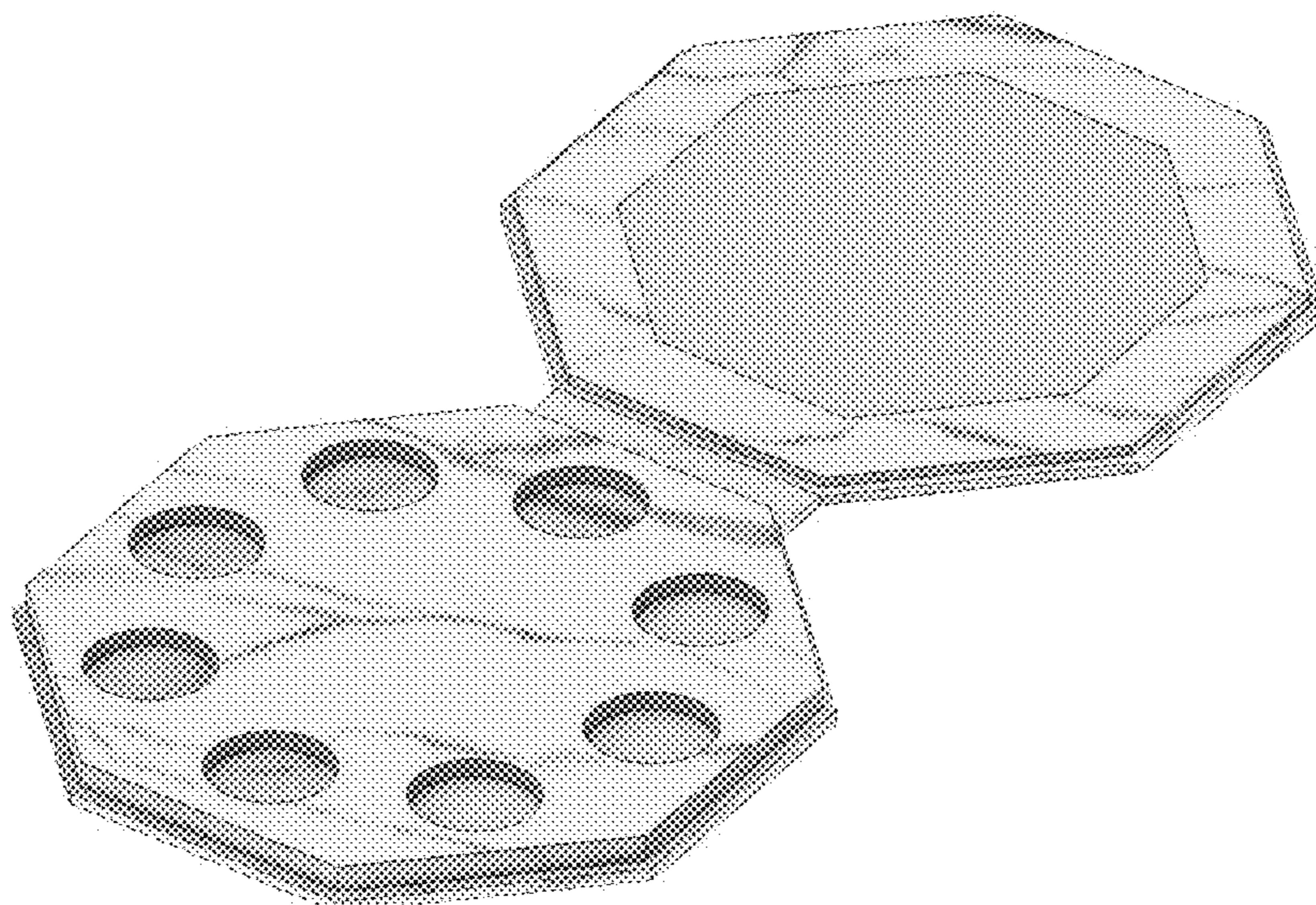
The ornamental design for an eye shadow case, as shown and described.

DESCRIPTION

The patent or application file contains at least one drawing executed in color. Copies of this patent or patent application publication with color drawing(s) will be provided by the Office upon request and payment of the necessary fee.
FIG. 1 is a perspective view of an eye shadow case showing my new design;
FIG. 2 is a front view thereof;
FIG. 3 is a rear view thereof;
FIG. 4 is a left side view thereof;
FIG. 5 is a right side view thereof;
FIG. 6 is a top view thereof;
FIG. 7 is a bottom view thereof; and,
FIG. 8 is a perspective view thereof shown in a closed position of use.

1 Claim, 8 Drawing Sheets
(8 of 8 Drawing Sheet(s) Filed in Color)

(56) **References Cited**
U.S. PATENT DOCUMENTS
1,845,507 A * 2/1932 McAtree A45D 33/006
132/296
D264,510 S * 5/1982 Boyd D28/78
D281,730 S * 12/1985 Phu D28/78
D309,043 S * 7/1990 Bakic D28/78



(56)

References Cited

U.S. PATENT DOCUMENTS

D858,887 S * 9/2019 Macaluso D28/78
D861,254 S * 9/2019 Min D28/78
D863,686 S * 10/2019 Min D28/83
D865,296 S * 10/2019 Min D28/83
D895,427 S * 9/2020 Foote D9/529
2017/0273438 A1* 9/2017 Liu A45D 33/003

OTHER PUBLICATIONS

Dear Dahlia Timeless Bloom Collection Eyeshadow Palette, From Sandy XO, published on Jun. 7, 2020, retrieved on Oct. 5, 2020, retrieved from the Internet URL: <http://fromsandyxo.com/2020/06/17/dear-dahlia-timeless-bloom-collection-eyeshadow-palette/>.*

Fenty Beauty Killawatt Foil Freestyle Highlighter Palette Review & Swatches, Temptalia, published on Oct. 23, 2018, retrieved on Oct. 5, 2020, retrieved from the Internet URL: <https://www.temptalia.com/fenty-beauty-killawatt-foil-freestyle-highlighter-palette-review-swatches/>.*

* cited by examiner

FIG. 1

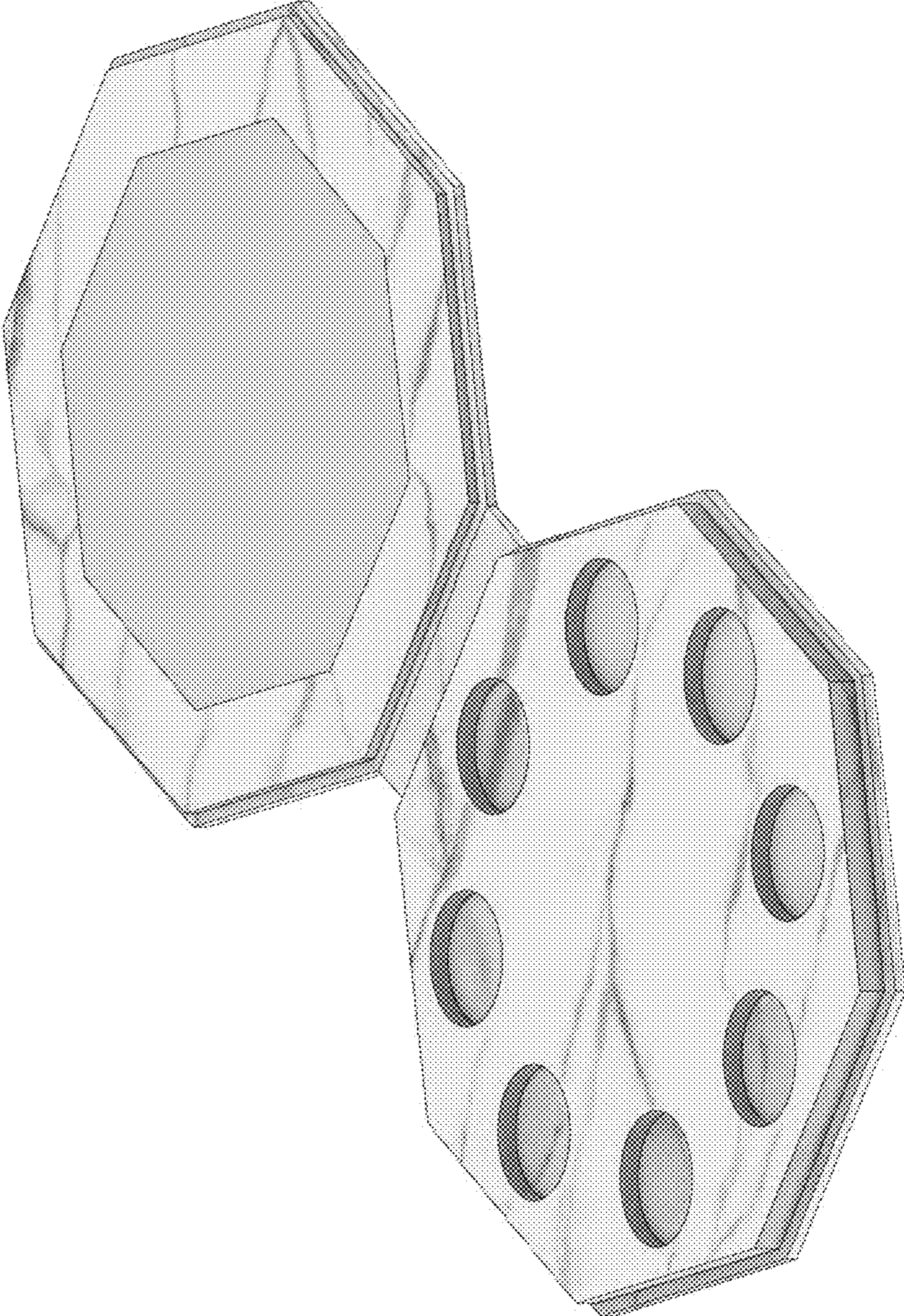


FIG. 2



FIG. 3

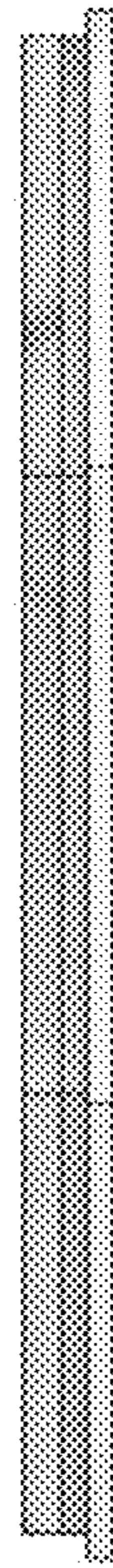


FIG. 4



FIG. 5



FIG. 6

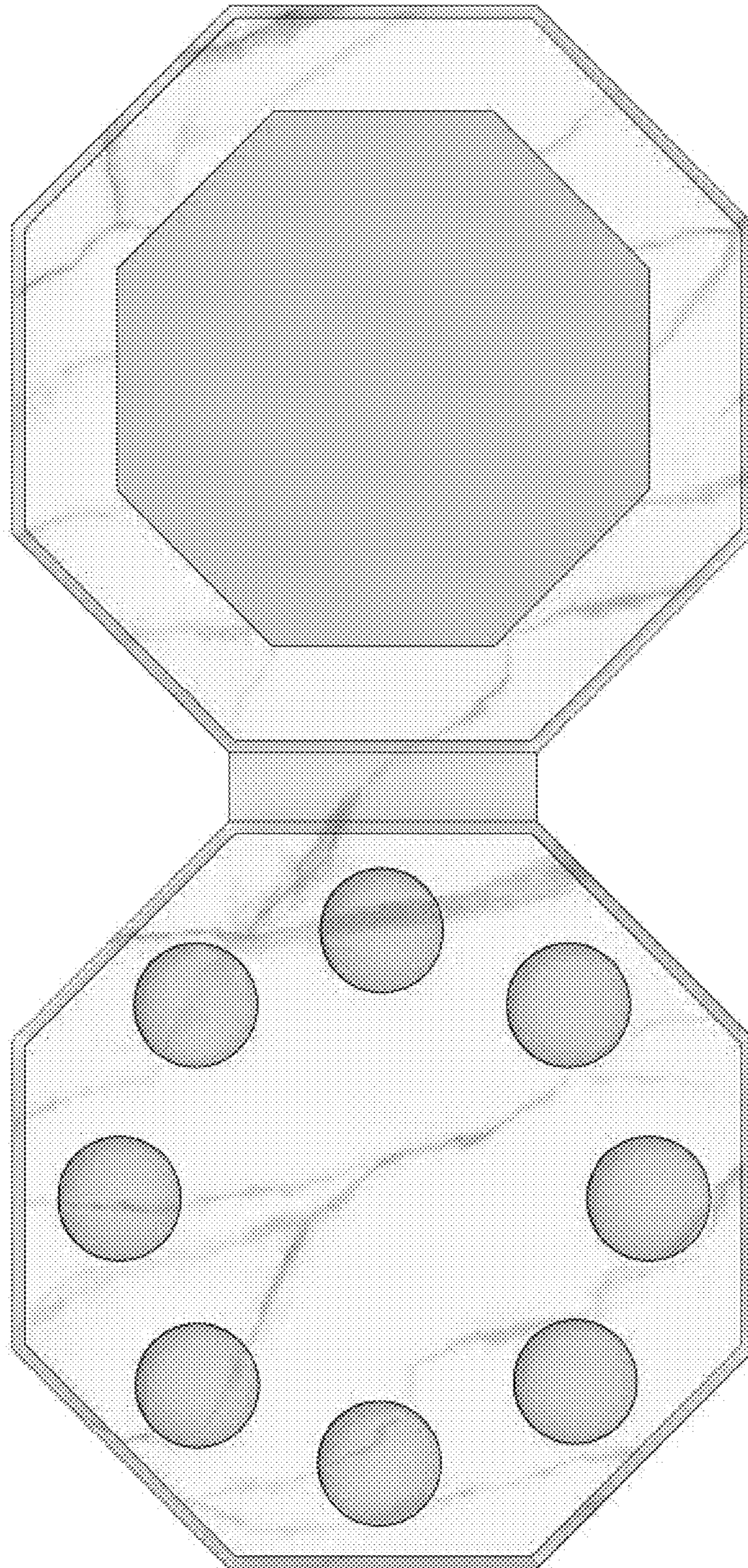


FIG. 7

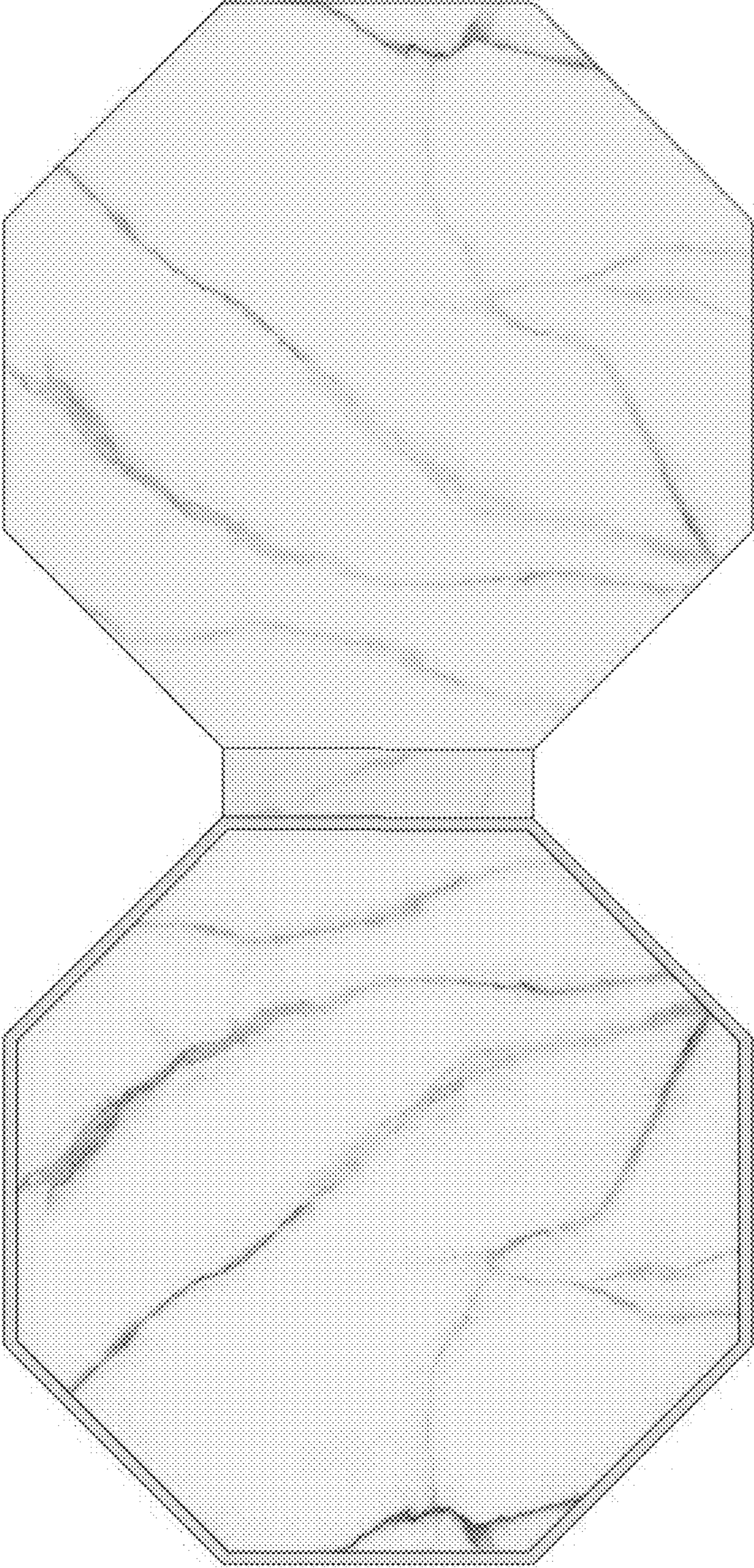


FIG. 8

