



US00D914984S

(12) **United States Design Patent**
Zou

(10) **Patent No.:** **US D914,984 S**
(45) **Date of Patent:** **** Mar. 30, 2021**

- (54) **TOENAIL CLIPPER**
- (71) Applicant: **Meng Zou**, Ningxiang (CN)
- (72) Inventor: **Meng Zou**, Ningxiang (CN)
- (**) Term: **15 Years**
- (21) Appl. No.: **29/745,461**
- (22) Filed: **Aug. 6, 2020**
- (51) **LOC (13) Cl.** **28-03**
- (52) **U.S. Cl.**
USPC **D28/60**
- (58) **Field of Classification Search**
USPC D28/60; D8/52
CPC A45D 2029/026; A45D 29/18; A45D
29/023; A45D 29/00; A45D 29/02
See application file for complete search history.

- D723,887 S * 3/2015 Manzana Boix D8/5
- D762,433 S * 8/2016 Yang D8/52
- D812,304 S * 3/2018 Hussain D28/60
- D838,044 S 1/2019 Jackson
- D855,904 S * 8/2019 Zhu D30/158

OTHER PUBLICATIONS

https://www.amazon.com/FERYES-Professional-Toenail-Clipper-Comfortable/dp/B08GXBD3B6/ref=cm_cr_arp_d_product_top?ie=UTF8 Feryes Professional Toenail Clipper, www.amazon.com, reviewed as early as Nov. 2020, 1 page (Year: 2020).*

* cited by examiner

Primary Examiner — Jennifer Rivard
(74) *Attorney, Agent, or Firm* — Rumit Ranjit Kanakia

(57) **CLAIM**

I claim the ornamental design for a toenail clipper, as shown and described.

(56) **References Cited**

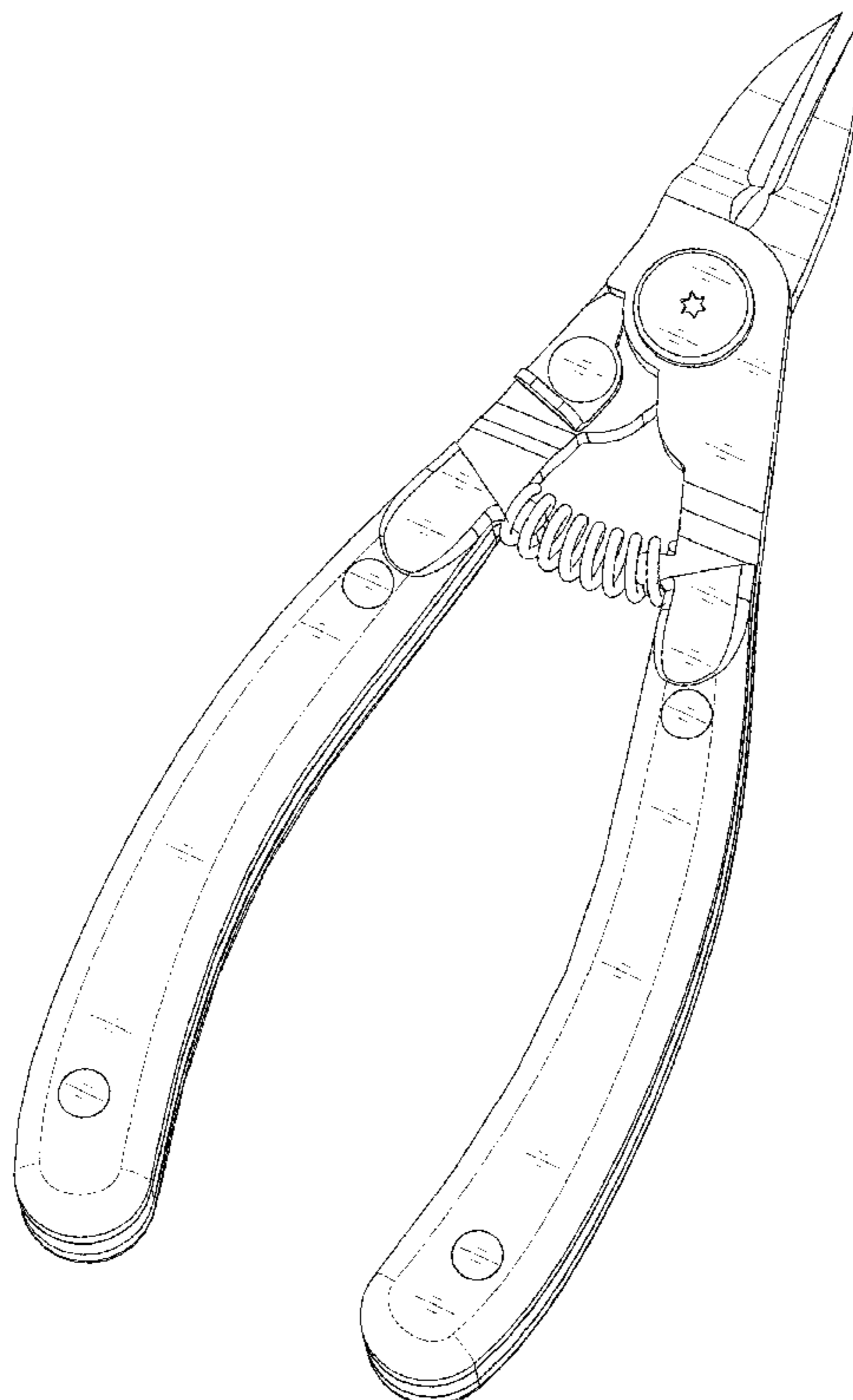
U.S. PATENT DOCUMENTS

- 2,028,558 A * 1/1936 Nietzel A45D 29/02
30/28
- 5,214,854 A * 6/1993 Mennicken B25B 7/18
30/186
- 6,473,969 B2 * 11/2002 Rinaldi A45D 29/02
30/186
- D489,844 S * 5/2004 Merheje D28/60
- D533,307 S 12/2006 Ross
- D547,905 S 7/2007 Kurz
- D563,050 S 2/2008 Habib
- D615,254 S * 5/2010 Manheimer, III D30/158
- D629,567 S * 12/2010 Vicari D28/60

DESCRIPTION

FIG. 1 is a Perspective view of a toenail clipper showing my new design;
FIG. 2 is a Front view thereof;
FIG. 3 is a Back view thereof;
FIG. 4 is a Right-side view thereof;
FIG. 5 is a Left-side view thereof;
FIG. 6 is a Top view thereof; and,
FIG. 7 is a Bottom view thereof.

1 Claim, 6 Drawing Sheets



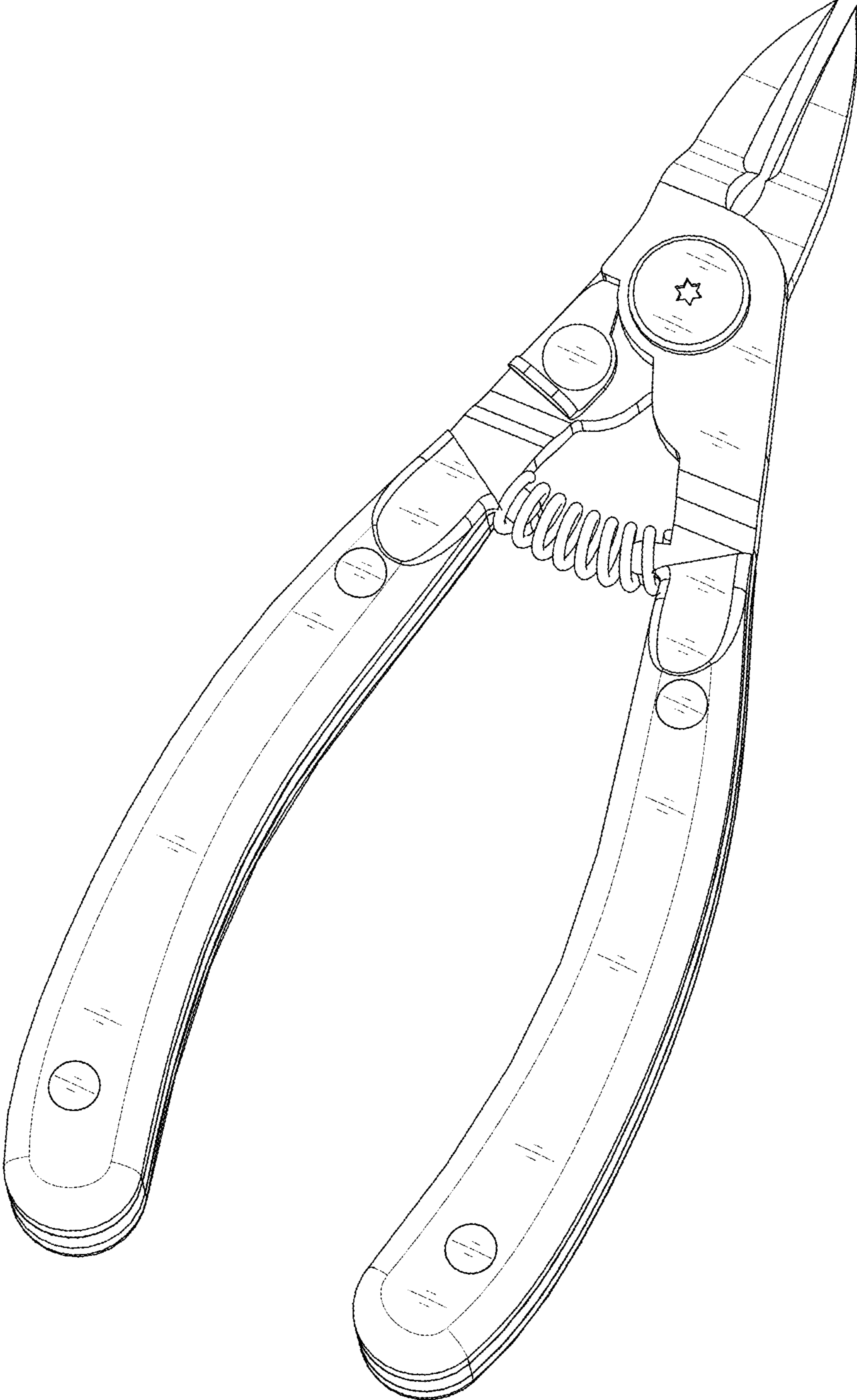


FIG. 1

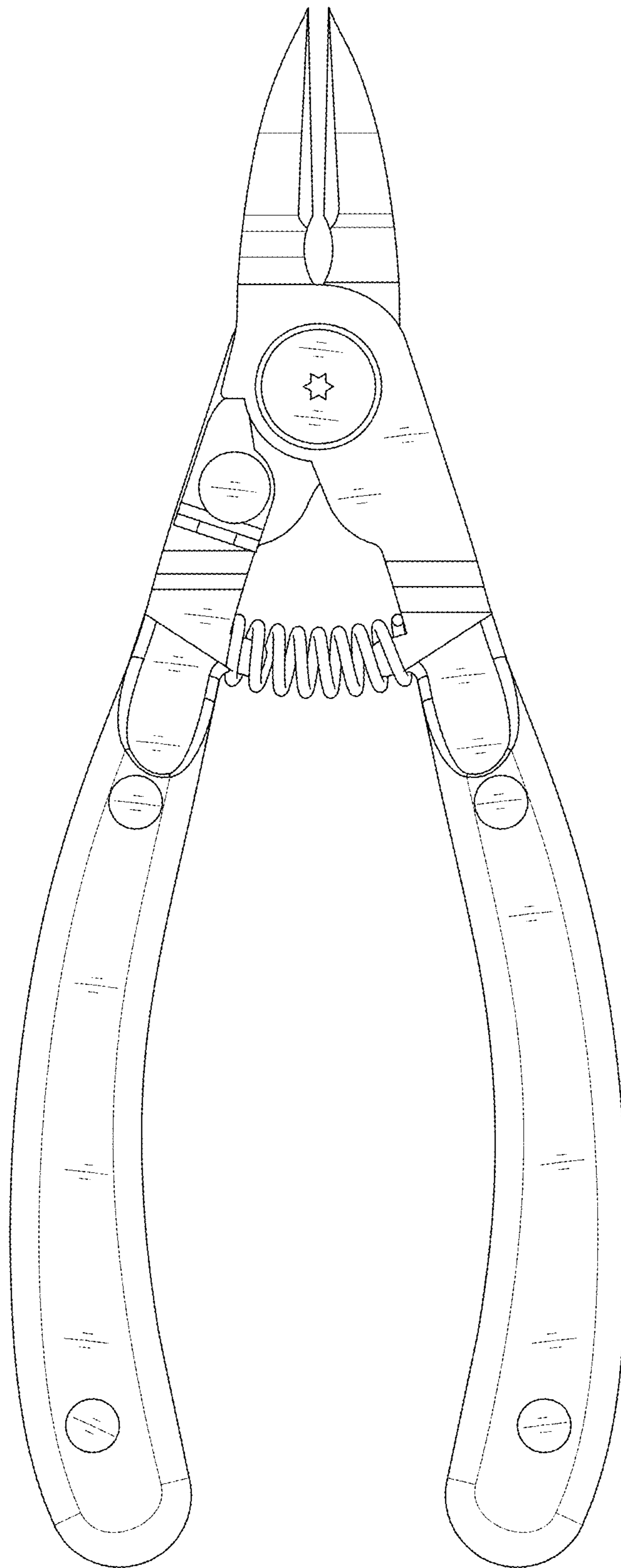


FIG. 2

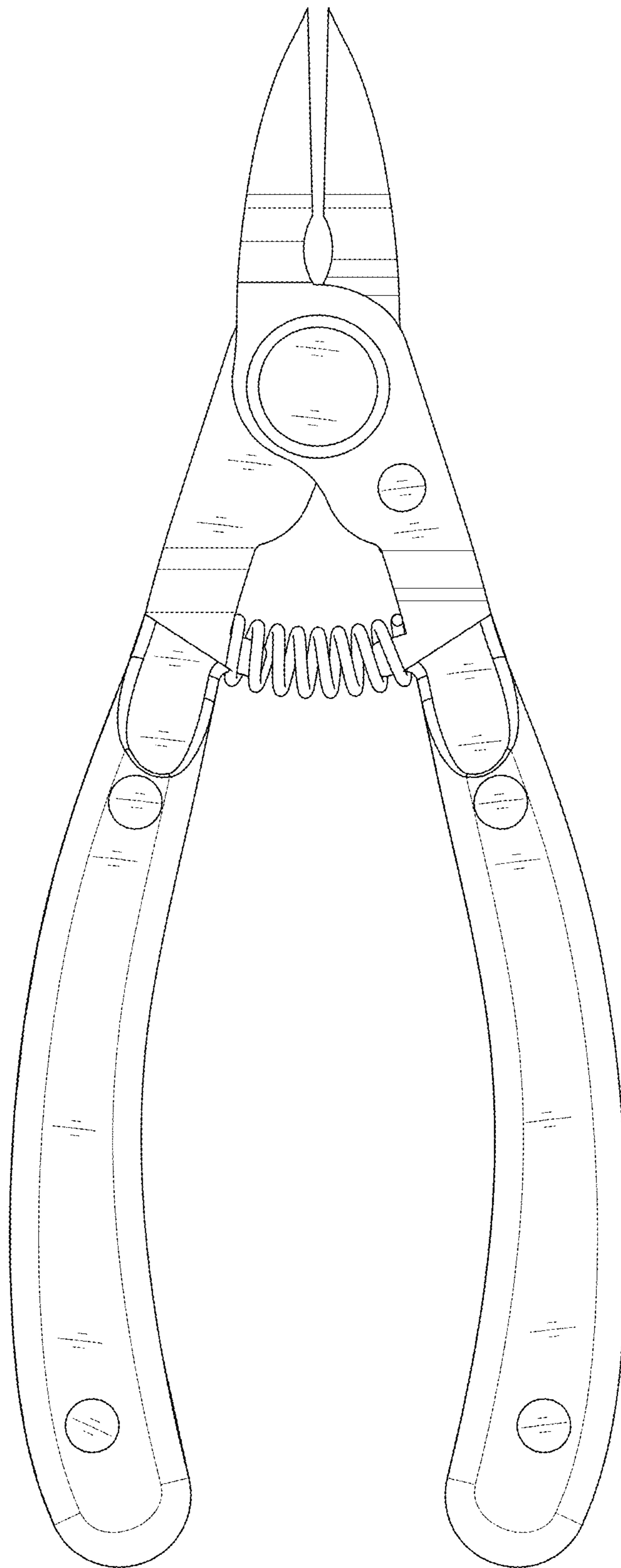


FIG. 3

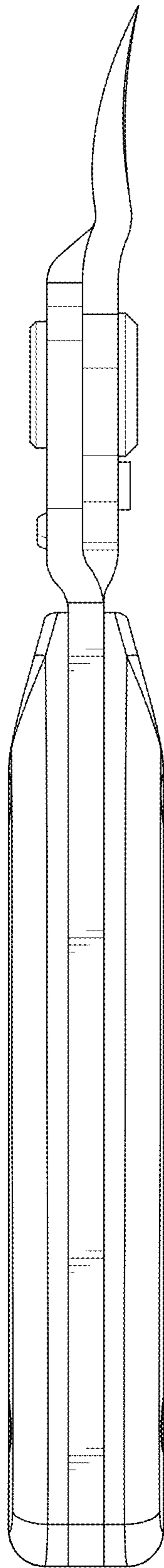


FIG. 4

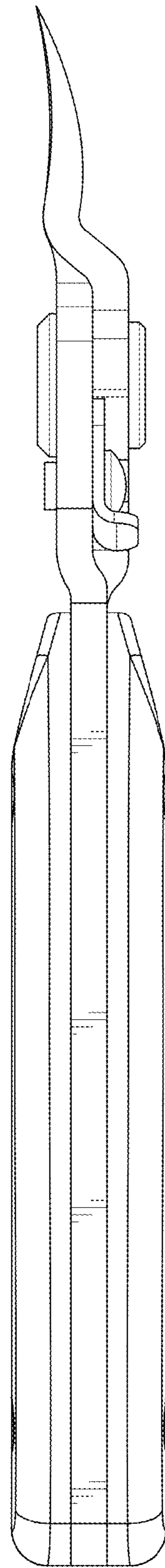


FIG. 5

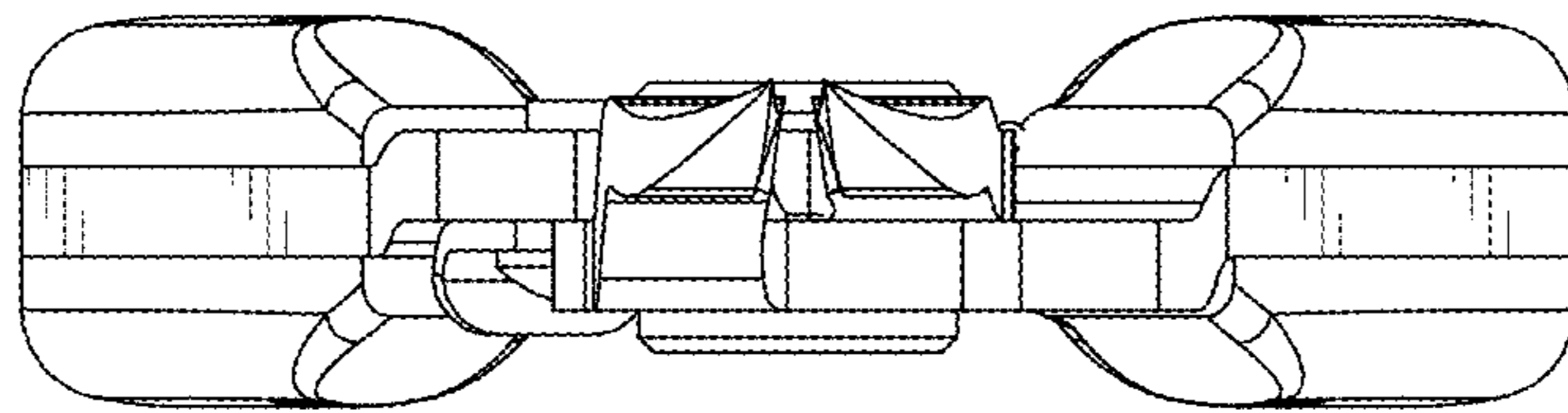


FIG. 6

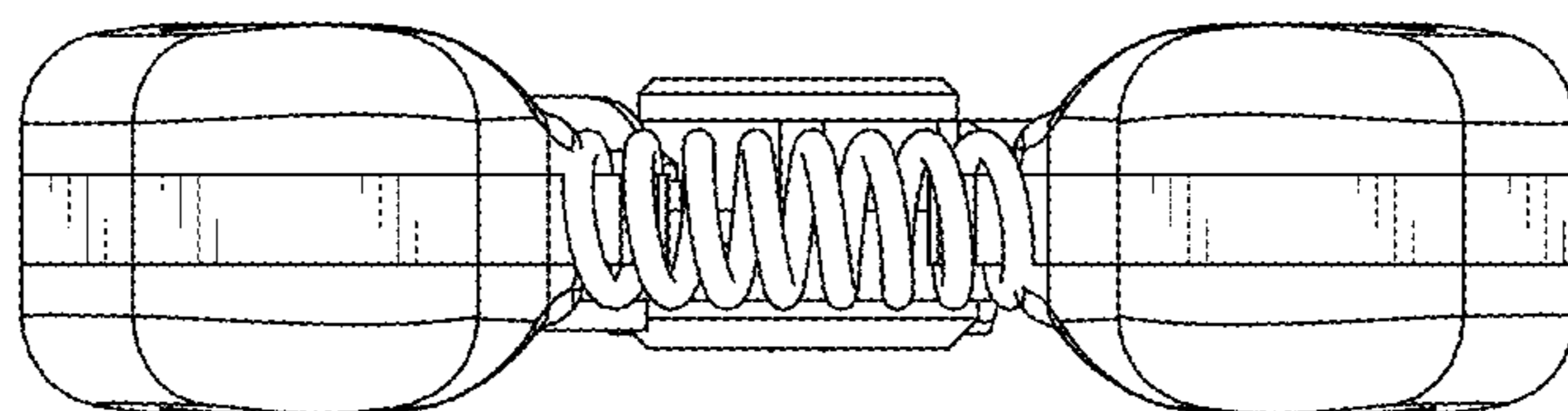


FIG. 7