



US00D914983S

(12) **United States Design Patent** (10) **Patent No.:** **US D914,983 S**  
**Miraie Ashtiani et al.** (45) **Date of Patent:** **\*\* Mar. 30, 2021**

(54) **INFANT NAIL TRIMMING DEVICE**

D775,534 S \* 1/2017 Turksu ..... D10/31  
D776,341 S \* 1/2017 Lim ..... D28/7  
2016/0295987 A1\* 10/2016 Boyle ..... A45D 29/00

(71) Applicants: **May Mahboubeh Miraie Ashtiani**,  
Stuttgart (DE); **Leon Markovic**,  
Stuttgart (DE)

(72) Inventors: **May Mahboubeh Miraie Ashtiani**,  
Stuttgart (DE); **Leon Markovic**,  
Stuttgart (DE)

(\*\*) Term: **15 Years**

(21) Appl. No.: **29/689,865**

(22) Filed: **May 2, 2019**

(51) **LOC (13) Cl.** ..... **28-03**

(52) **U.S. Cl.**  
USPC ..... **D28/59**

(58) **Field of Classification Search**  
USPC ..... D28/55-62, 99; D11/26, 27, 41  
CPC ..... A45D 29/00; A45D 44/00; A45D 29/18;  
A45D 29/02; A45D 29/023; A45D  
2029/026; A41G 5/02  
See application file for complete search history.

(56) **References Cited**

**U.S. PATENT DOCUMENTS**

D281,729 S \* 12/1985 Mast ..... D28/59  
D453,397 S \* 2/2002 Choi ..... D11/152  
D523,769 S \* 6/2006 Arlanda ..... D11/26  
D533,802 S \* 12/2006 Thompson ..... D11/27  
D651,933 S \* 1/2012 Bullock ..... D11/3  
D673,954 S \* 1/2013 Li ..... D14/411  
D733,963 S \* 7/2015 Dossett ..... D28/44.2  
D761,685 S \* 7/2016 Reaux ..... D11/26

**OTHER PUBLICATIONS**

Wearable Baby Nail File with a Ring, announced 2019 [online],  
[site visited Nov. 12, 2020], Available from internet, URL:<https://  
www.amazon.com.au/Wearable-Finger-Newborns-Snap-Off-  
Disposable/dp/B07MZ2PXY8> (Year: 2019).\*

Baby Nails The Wearable Baby Nail File, announced 2018 [online],  
[site visited Nov. 12, 2020], Available from internet, URL:<https://  
www.amazon.com/dp/B07J5P8YX2?tag=experiencedmommy-20  
&linkCode=ogi&th=1> (Year: 2018).\*

\* cited by examiner

*Primary Examiner* — Cynthia Ramirez

*Assistant Examiner* — Xavier Marti-Santos

(74) *Attorney, Agent, or Firm* — Patentfile, LLC; Bradley  
C. Fach

(57) **CLAIM**

The ornamental design for an infant nail trimming device, as  
shown and described.

**DESCRIPTION**

FIG. 1 is a perspective view an infant nail trimming device  
showing our new design;

FIG. 2 is a right elevation view thereof;

FIG. 3 is a left elevation view thereof;

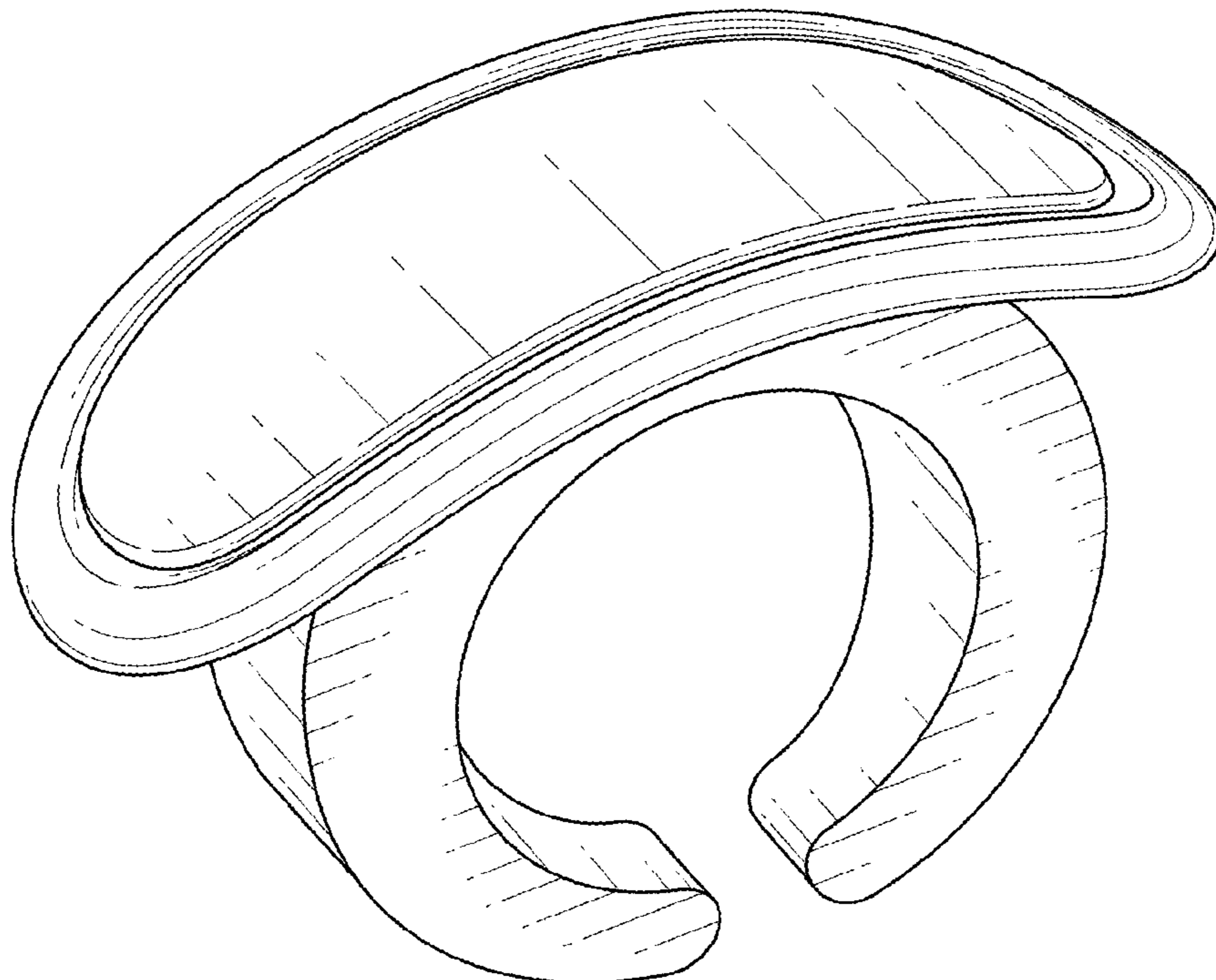
FIG. 4 is a front elevation view thereof;

FIG. 5 is a rear elevation view thereof;

FIG. 6. is a top plan view thereof; and,

FIG. 7 is a bottom plan view thereof.

**1 Claim, 3 Drawing Sheets**



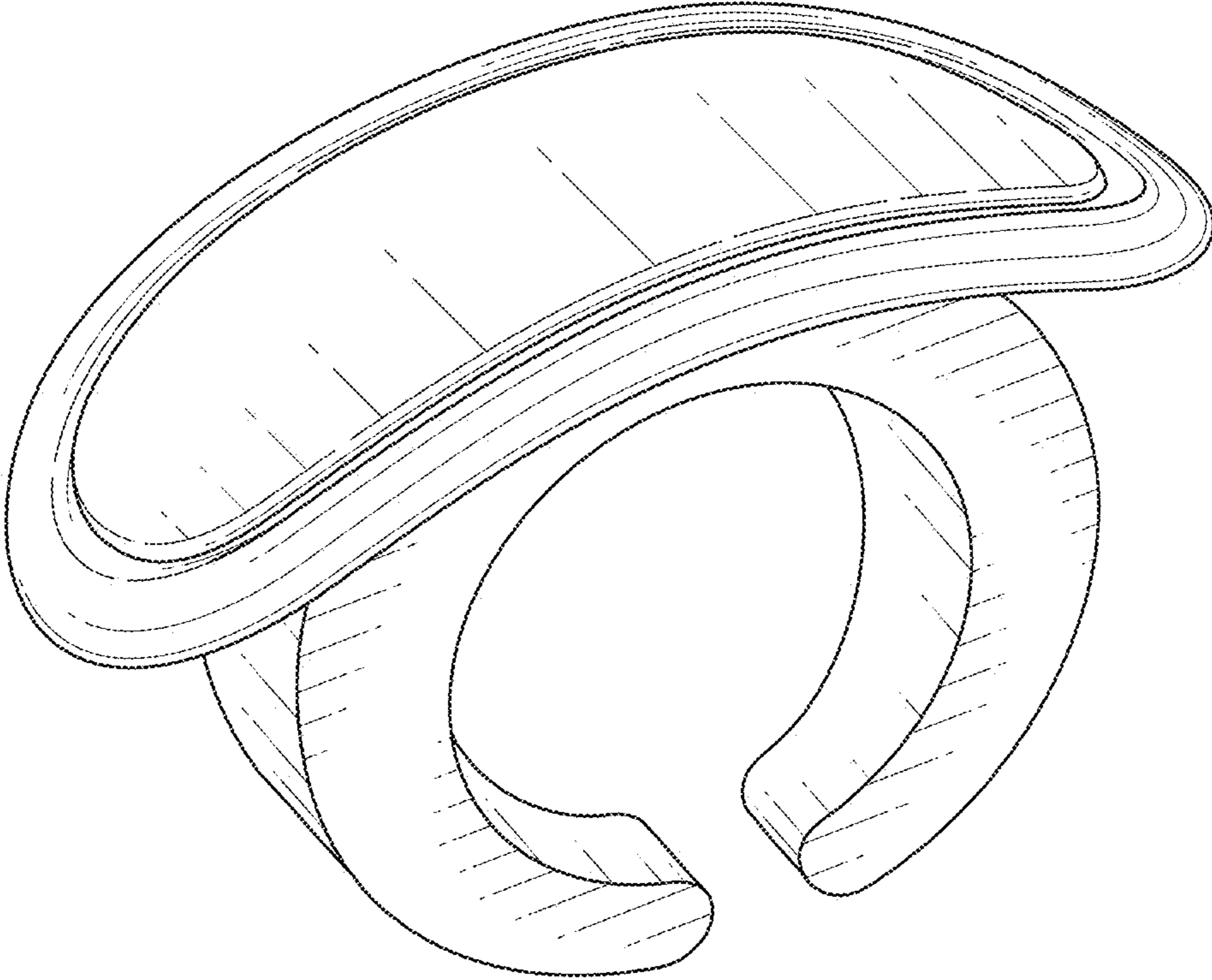


FIG. 1

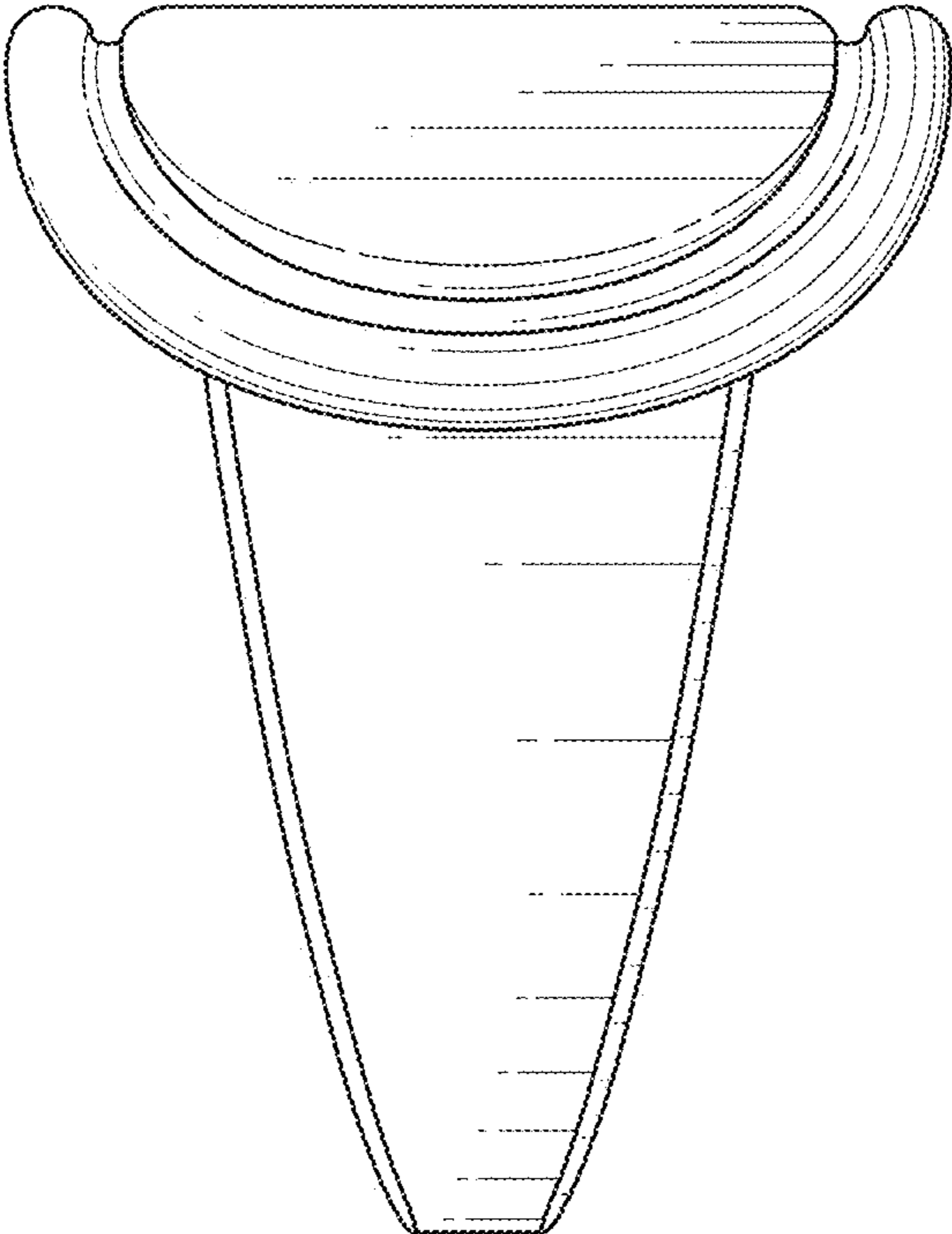


FIG. 2

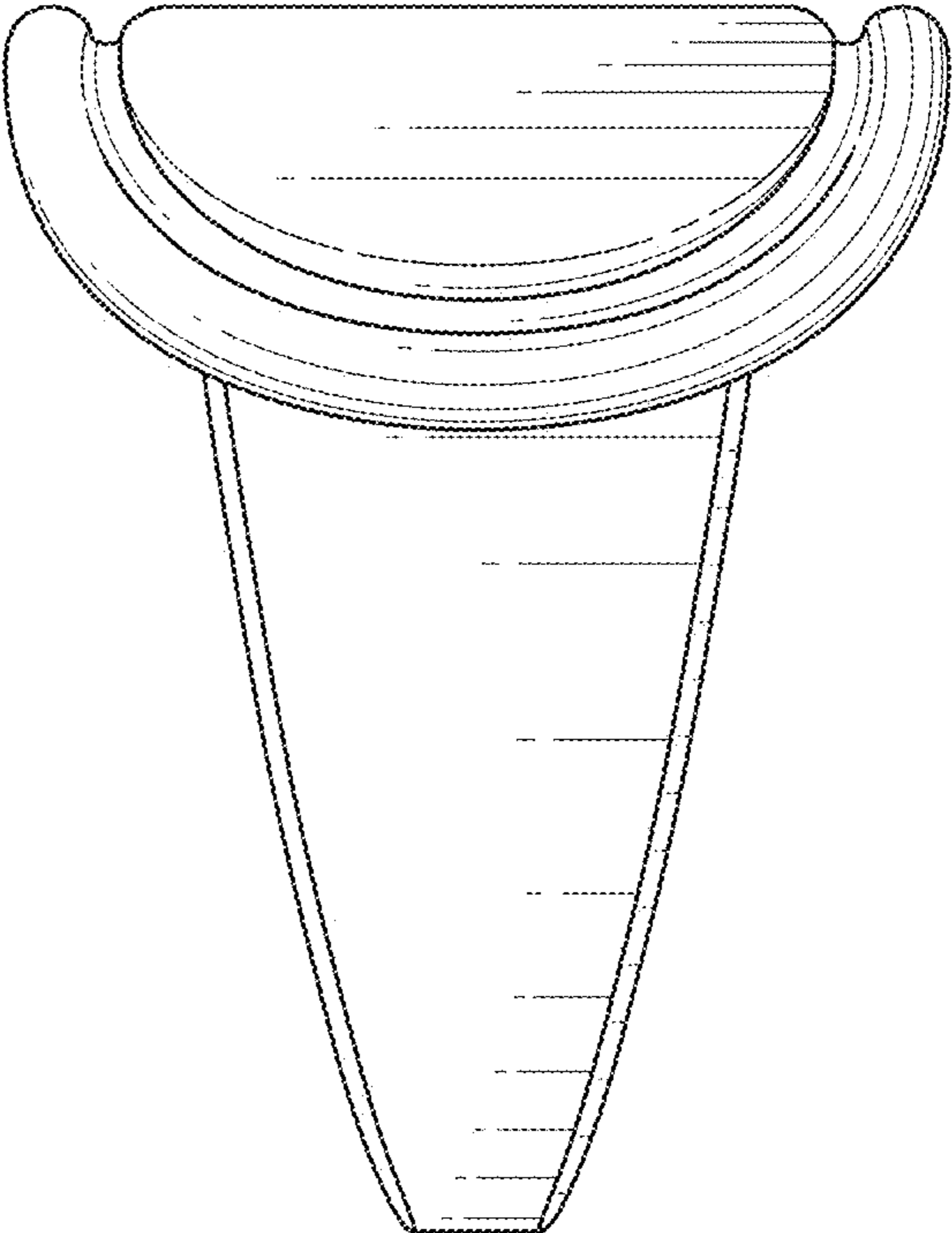


FIG. 3

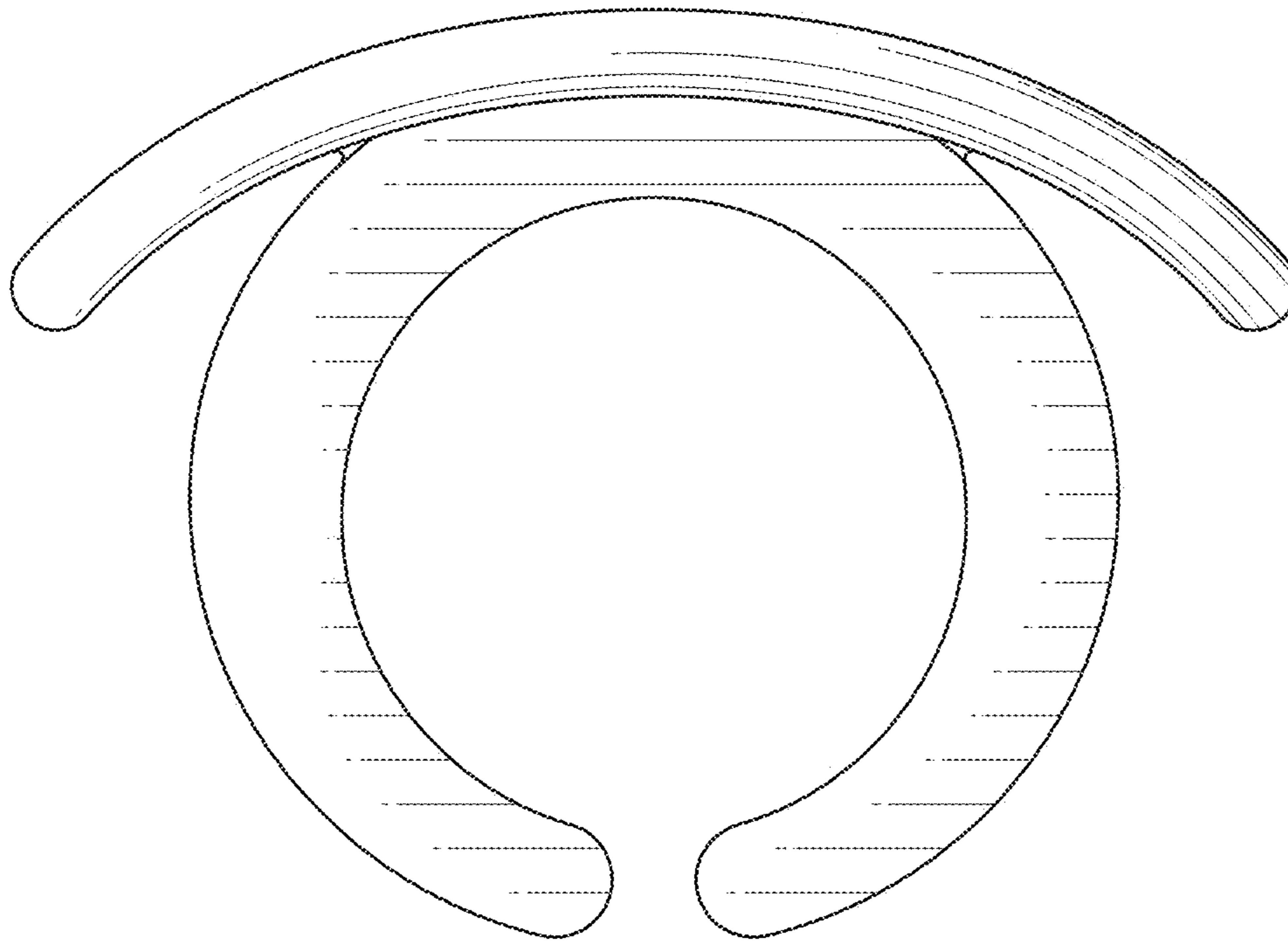


FIG. 4

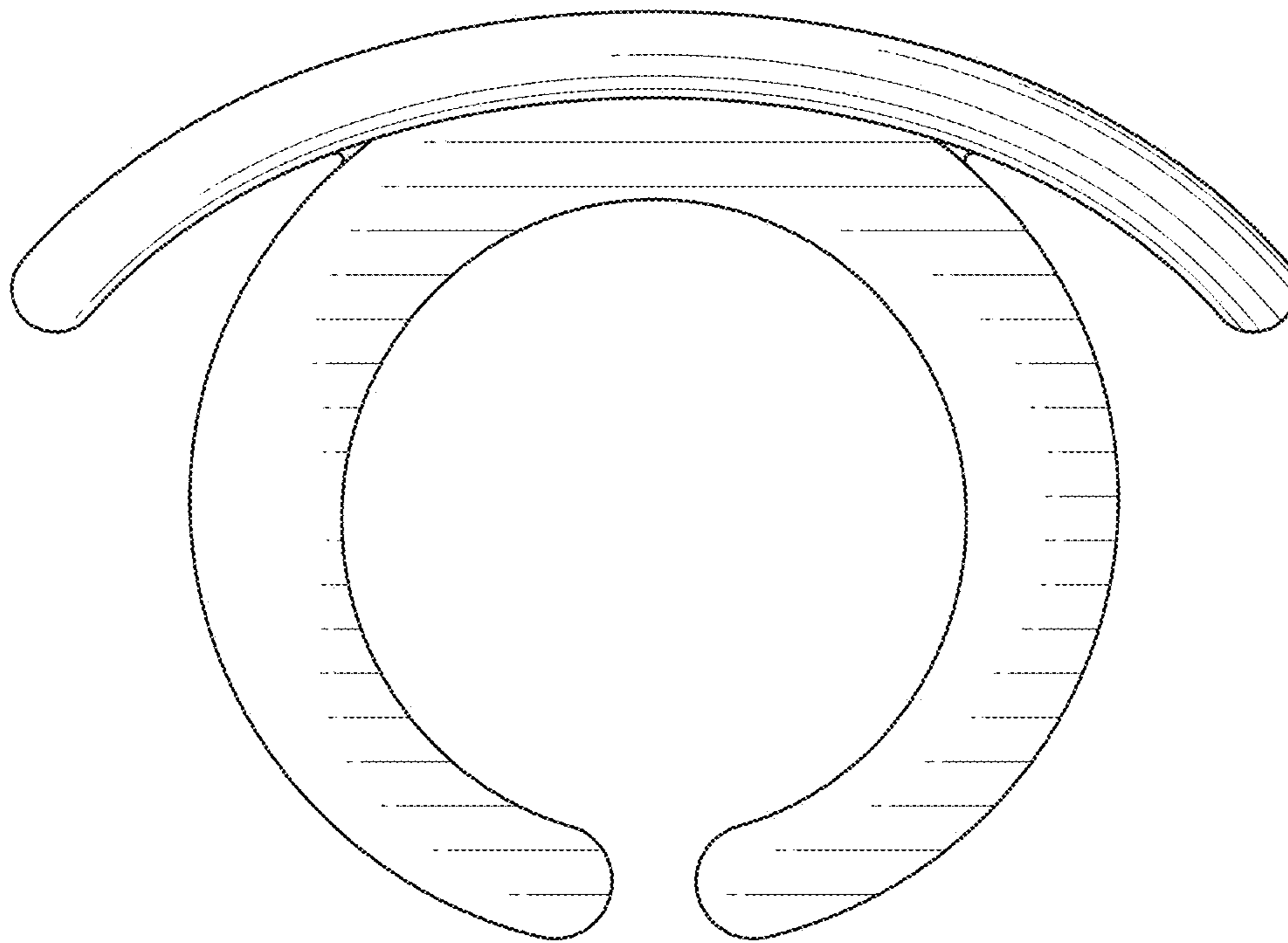


FIG. 5

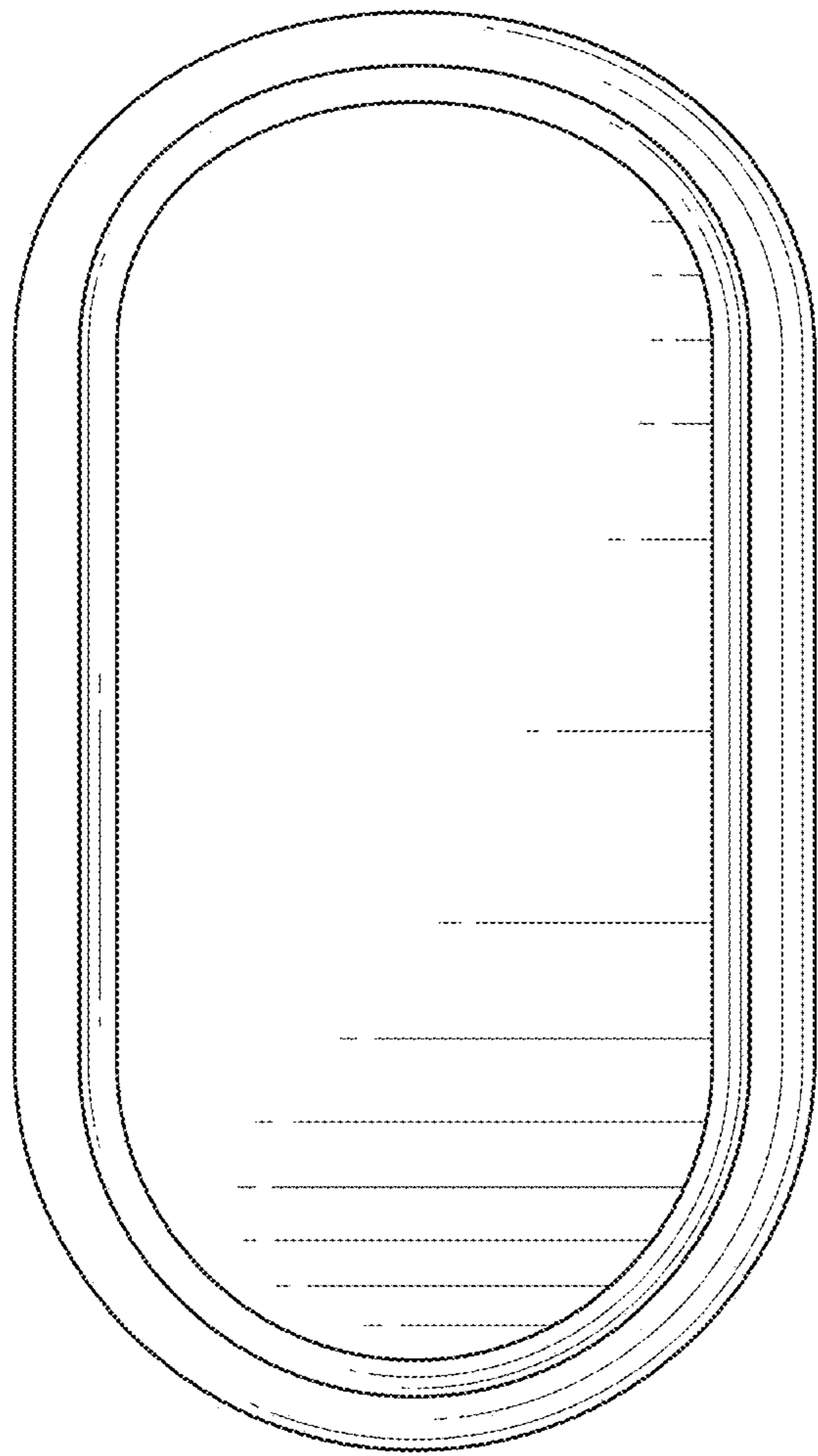


FIG. 6

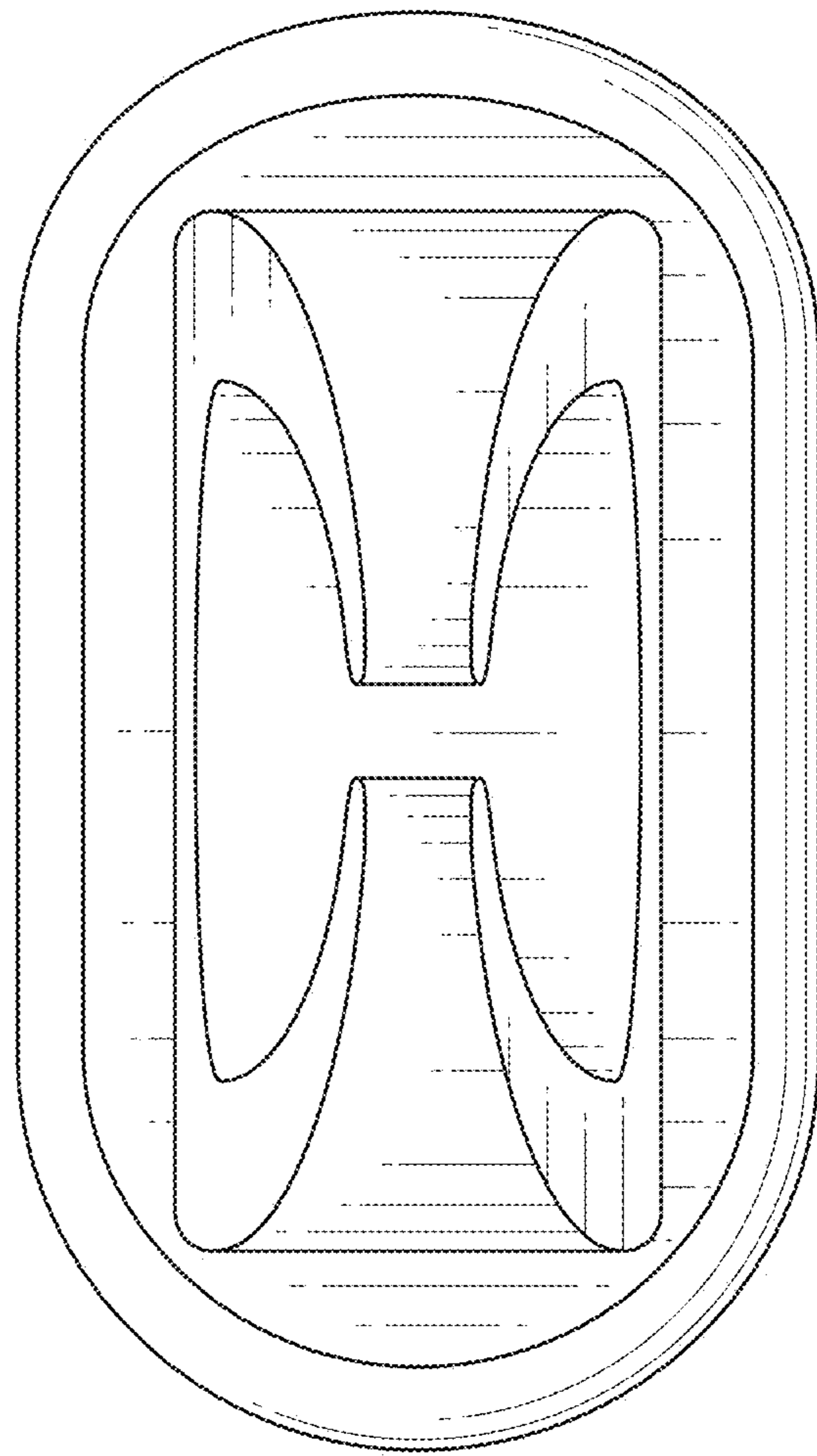


FIG. 7