



US00D914982S

(12) **United States Design Patent**  
**Hurter**

(10) **Patent No.:** **US D914,982 S**

(45) **Date of Patent:** **\*\* Mar. 30, 2021**

(54) **GEL CURING LAMP**

D890,431 S \* 7/2020 Hsieh ..... D28/58  
D900,396 S \* 10/2020 Zhang ..... D28/58  
10,876,791 B2 \* 12/2020 Valia ..... A45D 29/00

(Continued)

(71) Applicant: **Kupa, Inc.**, Anaheim, CA (US)

(72) Inventor: **Richard B. Hurter**, Castaic, CA (US)

(73) Assignee: **Kupa, Inc.**, Anaheim, CA (US)

(\*\*) Term: **15 Years**

(21) Appl. No.: **29/699,490**

(22) Filed: **Jul. 25, 2019**

(51) **LOC (13) Cl.** ..... **28-03**

(52) **U.S. Cl.**

USPC ..... **D28/58**

(58) **Field of Classification Search**

USPC ..... D28/12, 13, 45-50, 54.1, 58, 99

CPC ..... B26B 19/14; B26B 19/34; B26B 19/44;

A45D 29/00; A45D 44/02; A45D

2200/205; G21K 5/00; B05D 3/0671

See application file for complete search history.

(56) **References Cited**

**U.S. PATENT DOCUMENTS**

D232,327 S *	8/1974	Waters	.....	D28/12
D702,400 S	4/2014	Valia et al.		
8,993,983 B2	3/2015	Li et al.		
D734,548 S	7/2015	Dadon		
D747,828 S	1/2016	Vu et al.		
D765,314 S *	8/2016	Loibl	.....	D28/58
D777,981 S *	1/2017	Oh	.....	D28/58
9,707,537 B2	7/2017	Haile		
9,894,975 B2 *	2/2018	Huang	.....	H05B 47/105
10,016,043 B1	7/2018	Cheng		
D838,042 S	1/2019	Ouyang		
10,264,866 B1	4/2019	Luu		
D857,993 S *	8/2019	Hsieh	.....	D28/58
D858,883 S *	9/2019	Wu	.....	D28/58
D872,369 S *	1/2020	Le	.....	D28/58
D880,068 S *	3/2020	Wu	.....	D28/58

**FOREIGN PATENT DOCUMENTS**

CN 203969578 U 12/2014  
CN 305423338 \* 5/2019

**OTHER PUBLICATIONS**

MANIPro Glo lamp [online], [site visited Aug. 24, 2020], Available from internet, URL: <<https://kupainc.com/collections/nav-uv-led-lamps/products/copy-of-manipro-glo-black>> (Year: 2020).\*

(Continued)

*Primary Examiner* — Cynthia Ramirez

*Assistant Examiner* — Xavier Marti-Santos

(74) *Attorney, Agent, or Firm* — Stetina Brunda Garred and Brucker

(57)

**CLAIM**

The ornamental design for gel curing lamp, as shown and described.

**DESCRIPTION**

FIG. 1 is a front perspective view of the gel curing lamp showing my new design;

FIG. 2 is a rear perspective view thereof;

FIG. 3 is a front view thereof;

FIG. 4 is a rear view thereof;

FIG. 5 is a left side view thereof;

FIG. 6 is a right side view thereof;

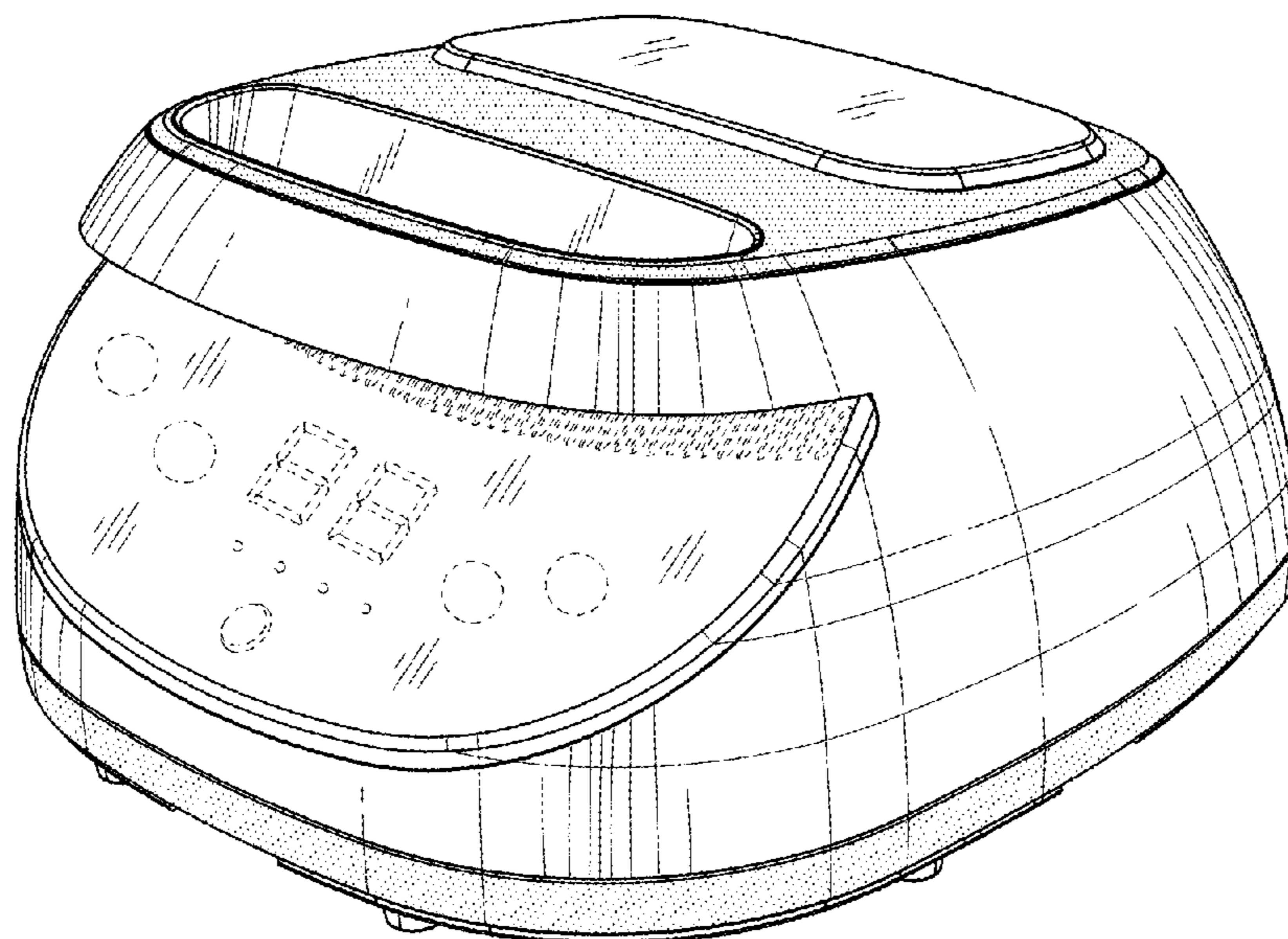
FIG. 7 is a top view thereof;

FIG. 8 is a bottom view thereof; and,

FIG. 9 is a bottom view thereof with the base plate retracted.

The broken lines in FIGS. 1-4 and 6-9 of the drawings are for the purpose of illustrating portions of the gel curing lamp, which form no part of the claimed design.

**1 Claim, 5 Drawing Sheets**



(56)

**References Cited**

U.S. PATENT DOCUMENTS

D909,682 S \* 2/2021 Wu ..... D28/58  
2011/0277338 A1 11/2011 Li et al.  
2012/0060757 A1 3/2012 Li et al.  
2013/0134447 A1 5/2013 Pan et al.  
2016/0095409 A1\* 4/2016 Jih ..... A45D 29/00  
34/202  
2017/0127790 A1\* 5/2017 Huang ..... A45D 29/00  
2018/0302967 A1 10/2018 Hsieh et al.  
2021/0022473 A1\* 1/2021 Hurter ..... A45D 29/00

OTHER PUBLICATIONS

Kupa, Inc. Website, "UV/LED Hybrid Lamp—WHT.," <https://kupainc.com/products/gelfinity-uv-led-hybrid-lamp-white>, publication date unknown, site visited Jul. 27, 2020.

\* cited by examiner

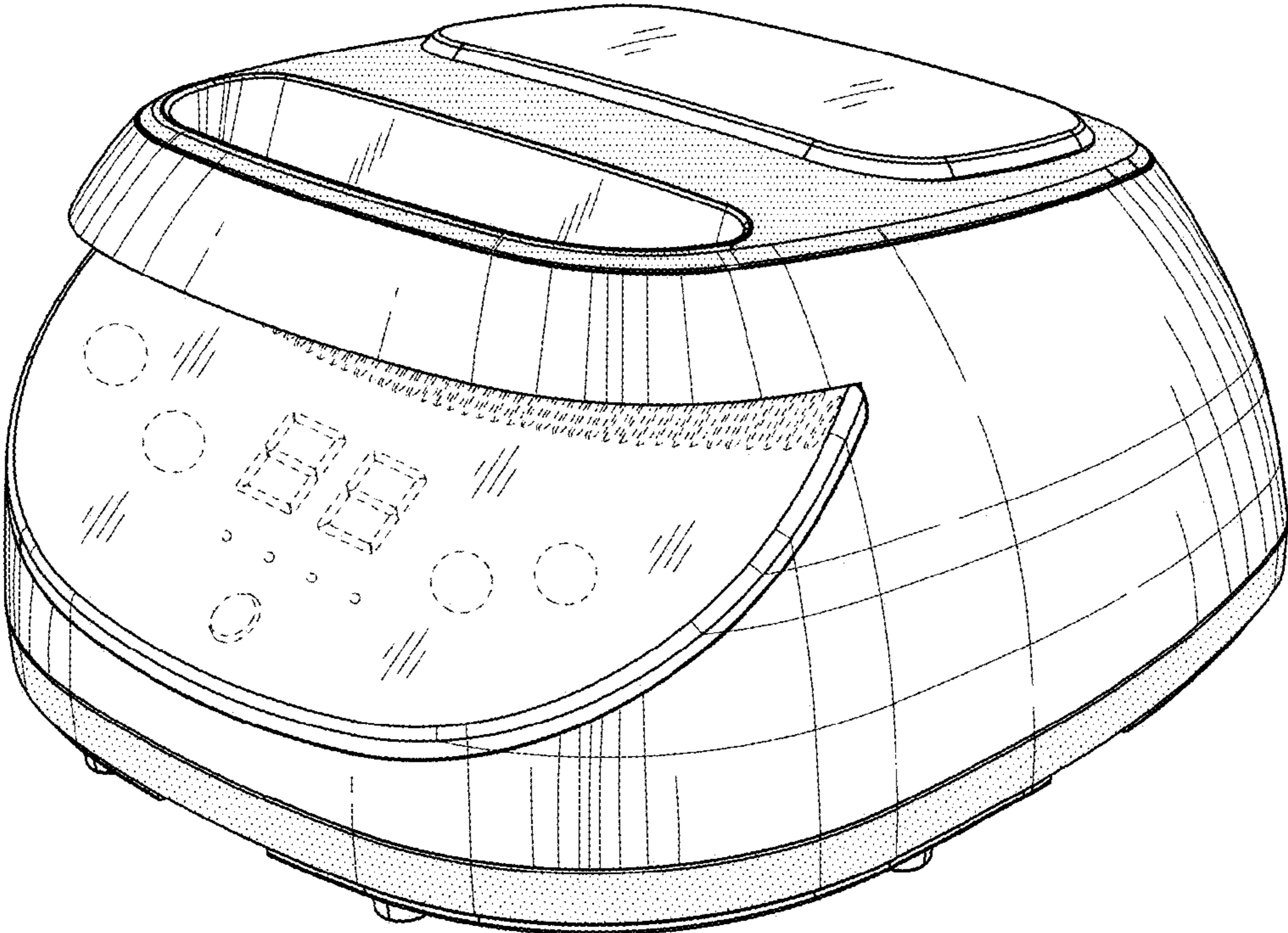


FIG. 1

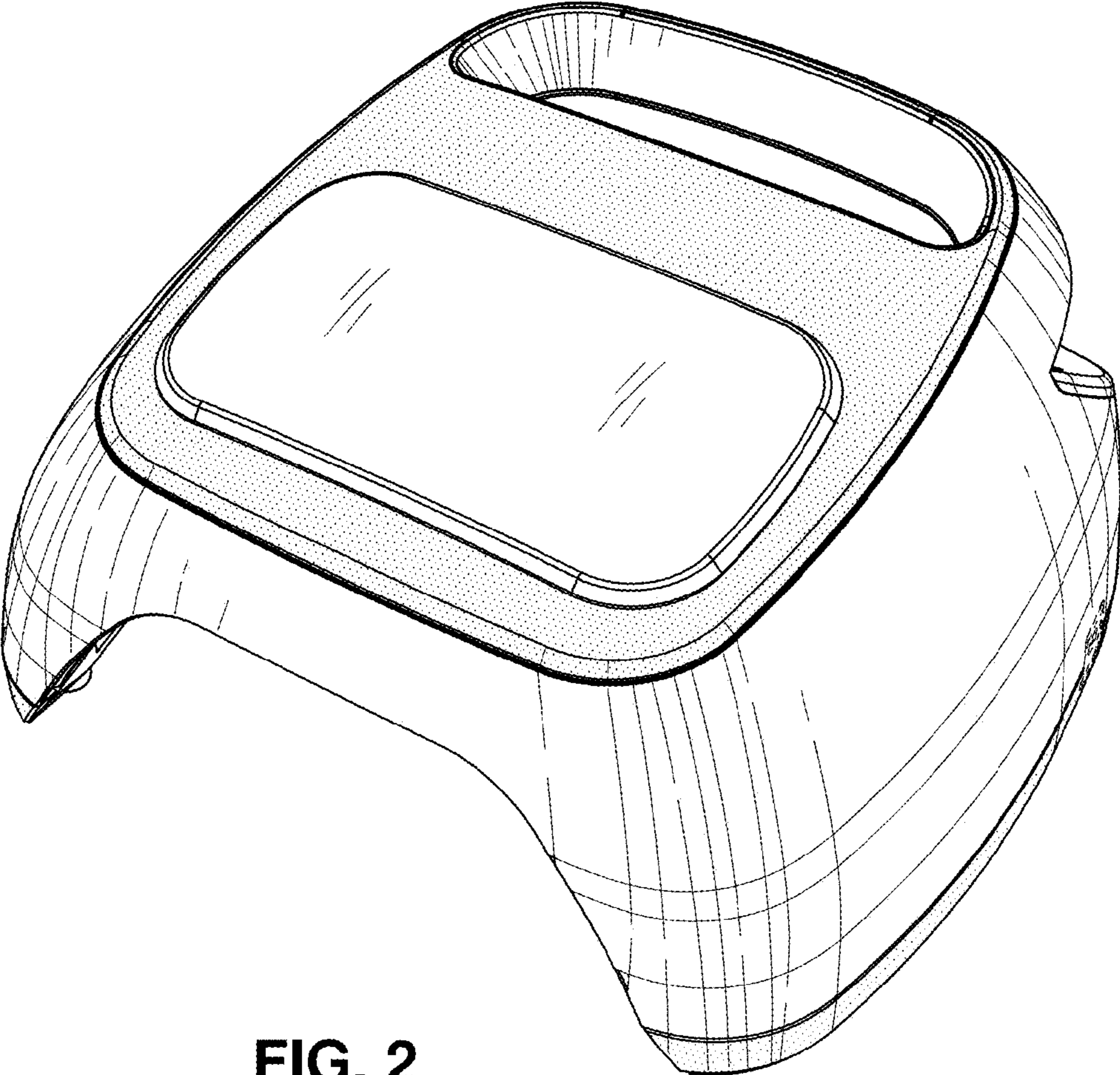


FIG. 2

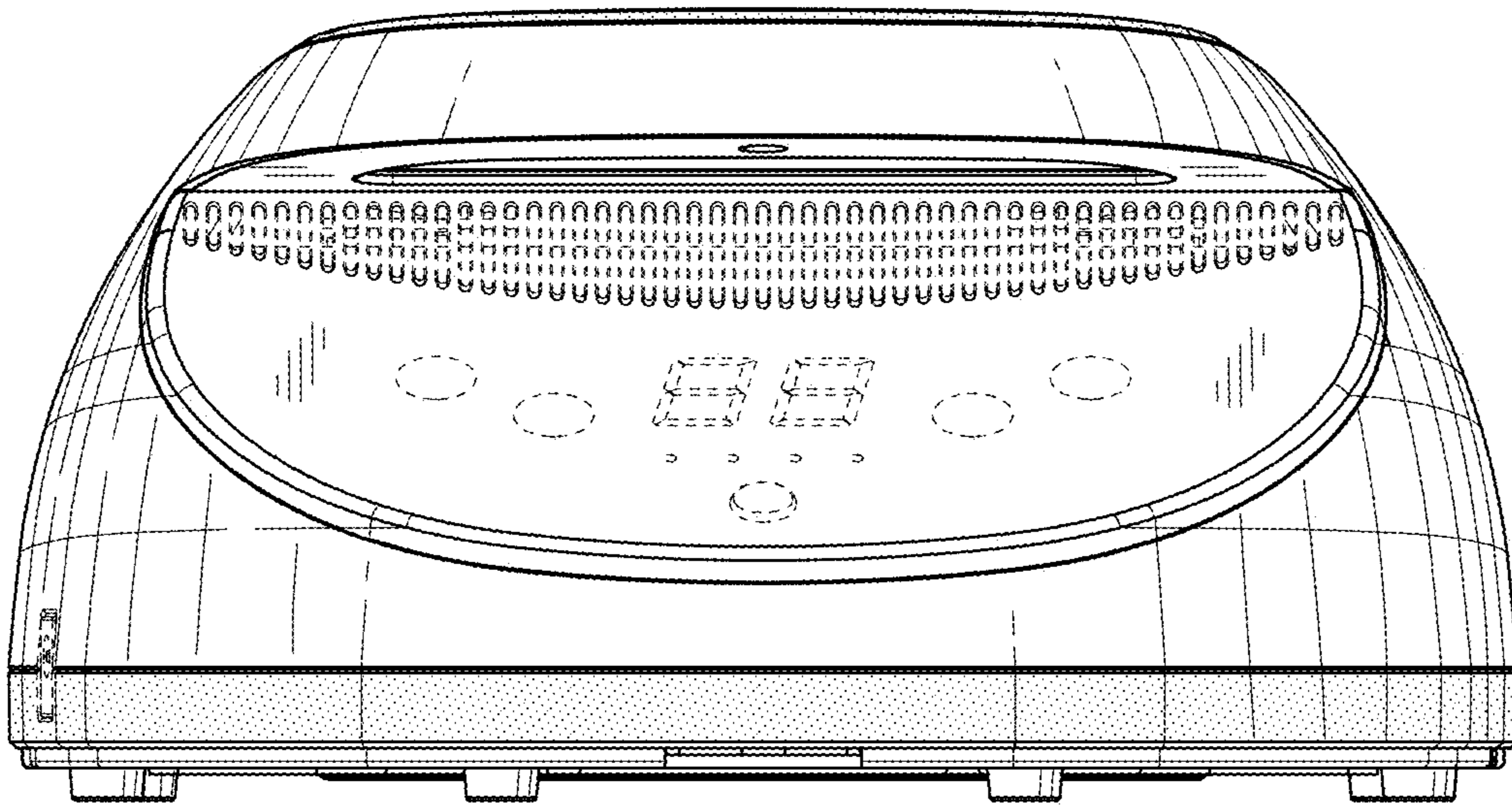


FIG. 3

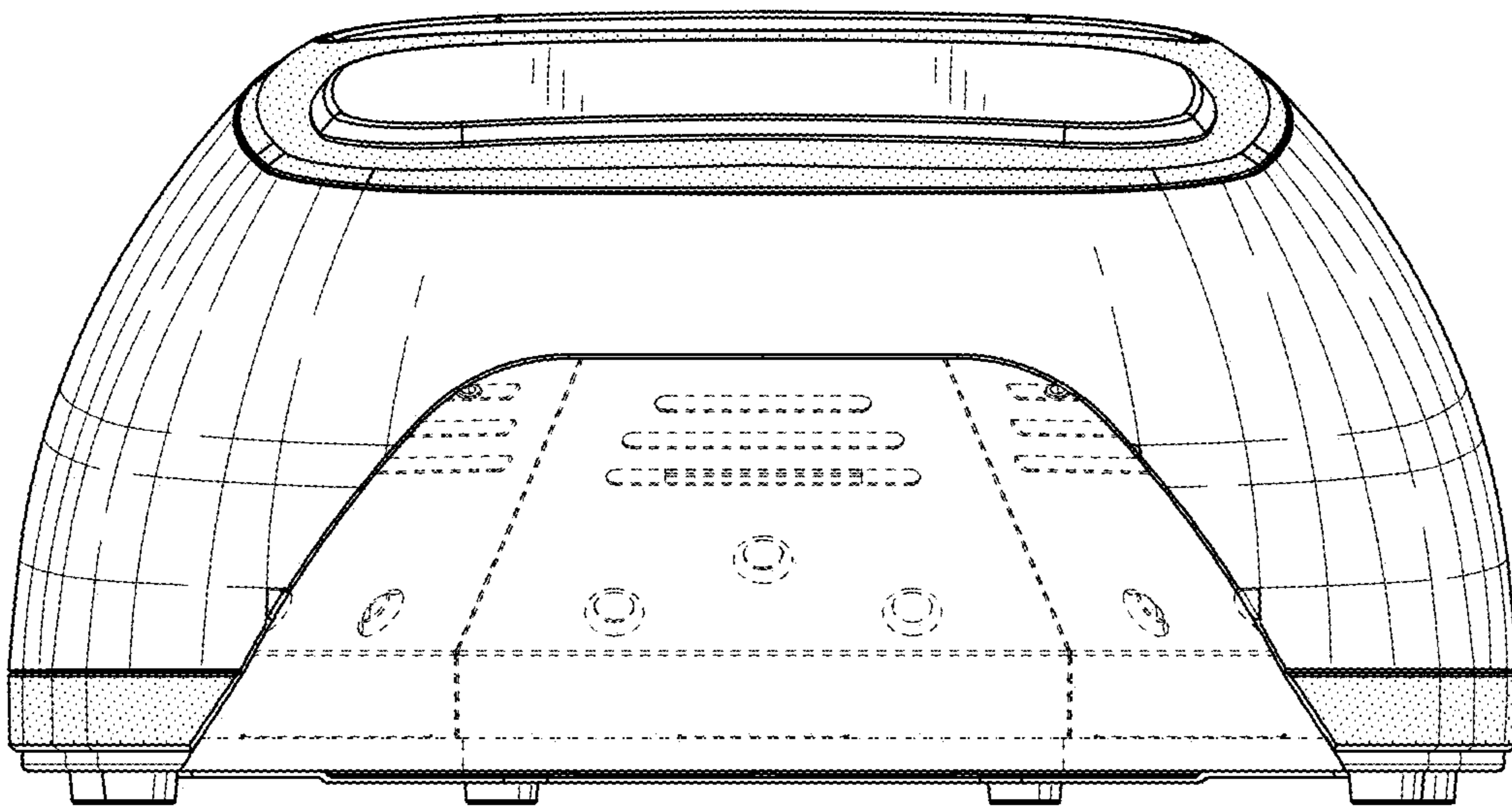


FIG. 4

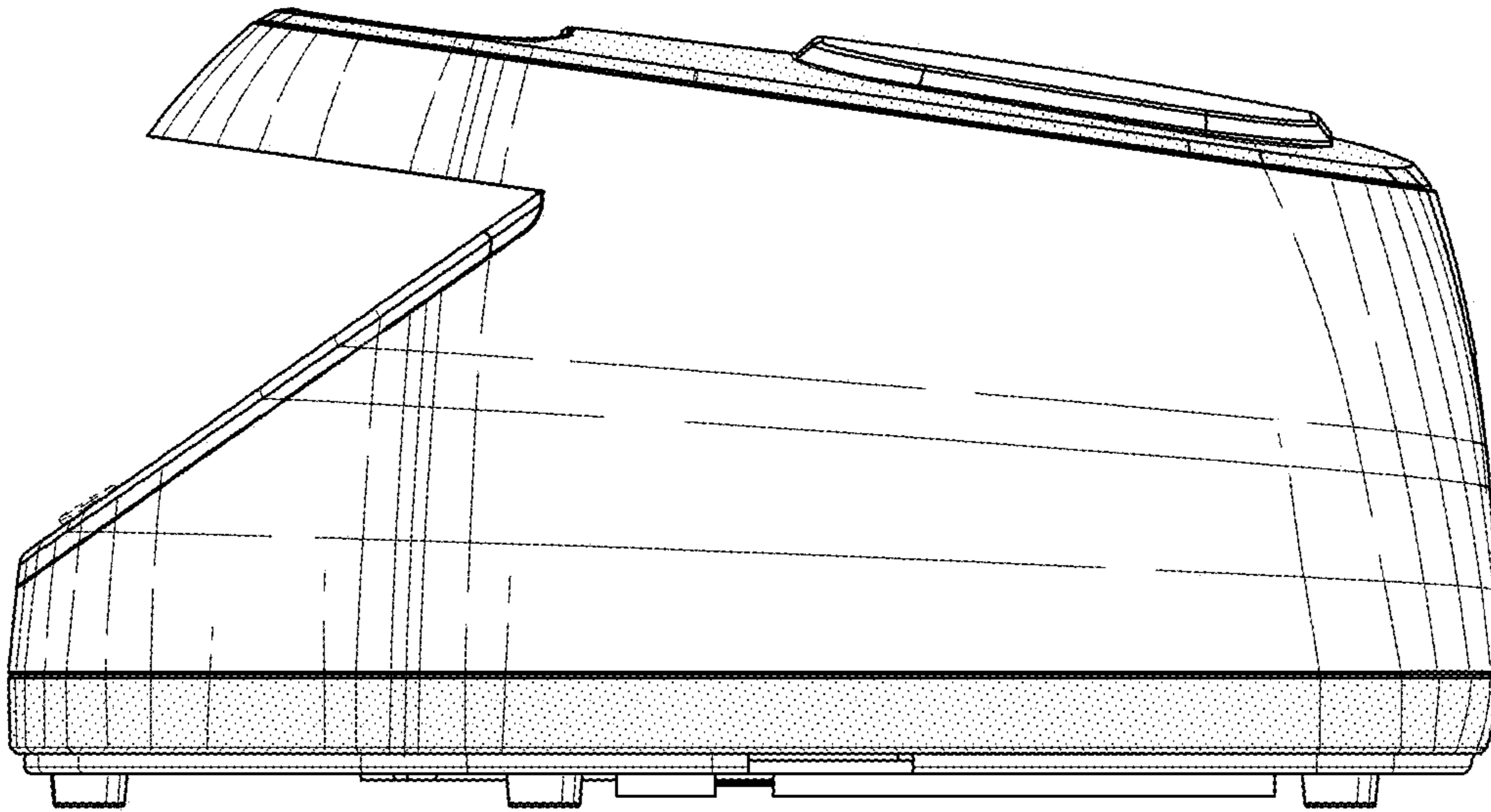


FIG. 5

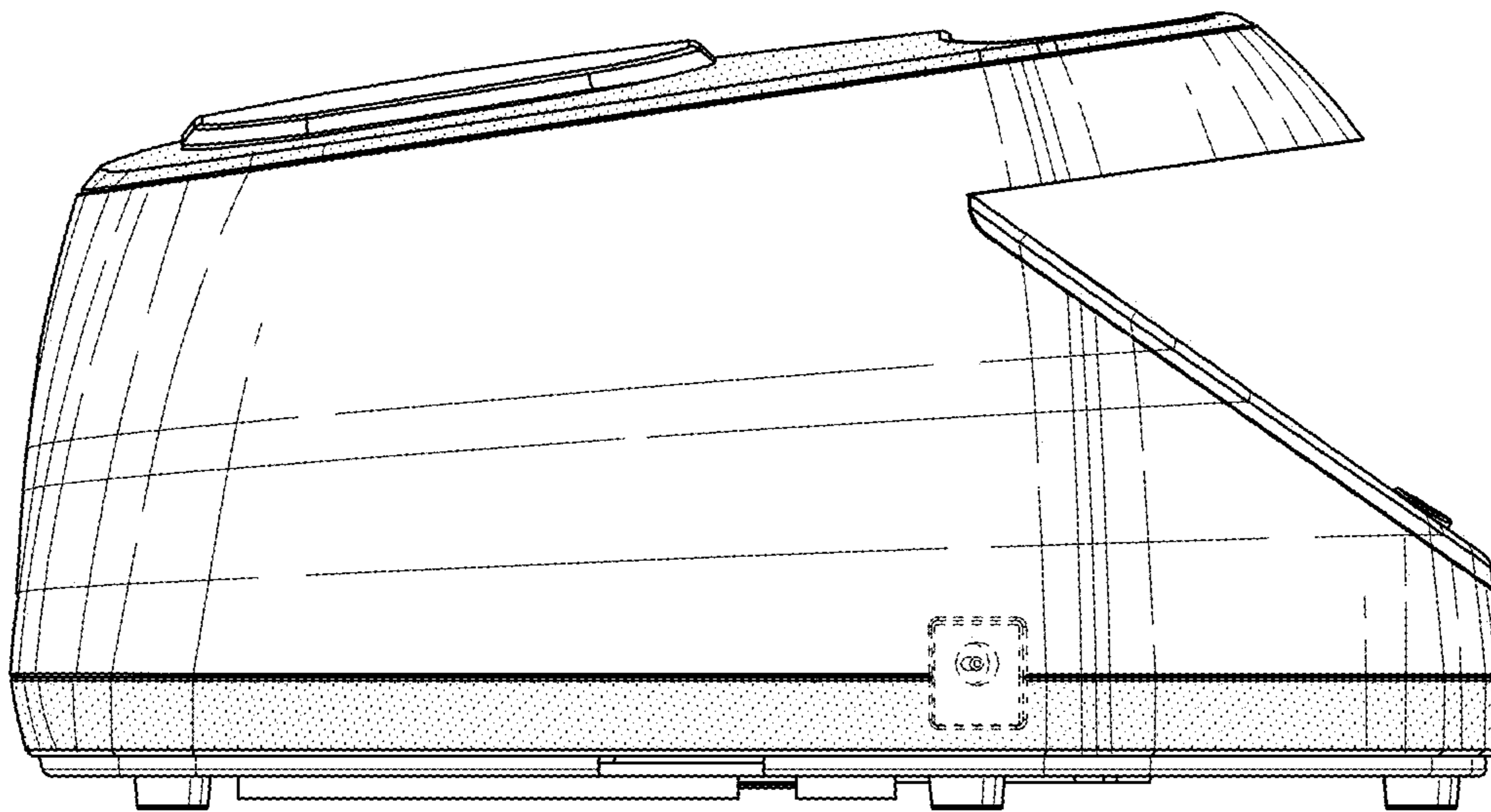
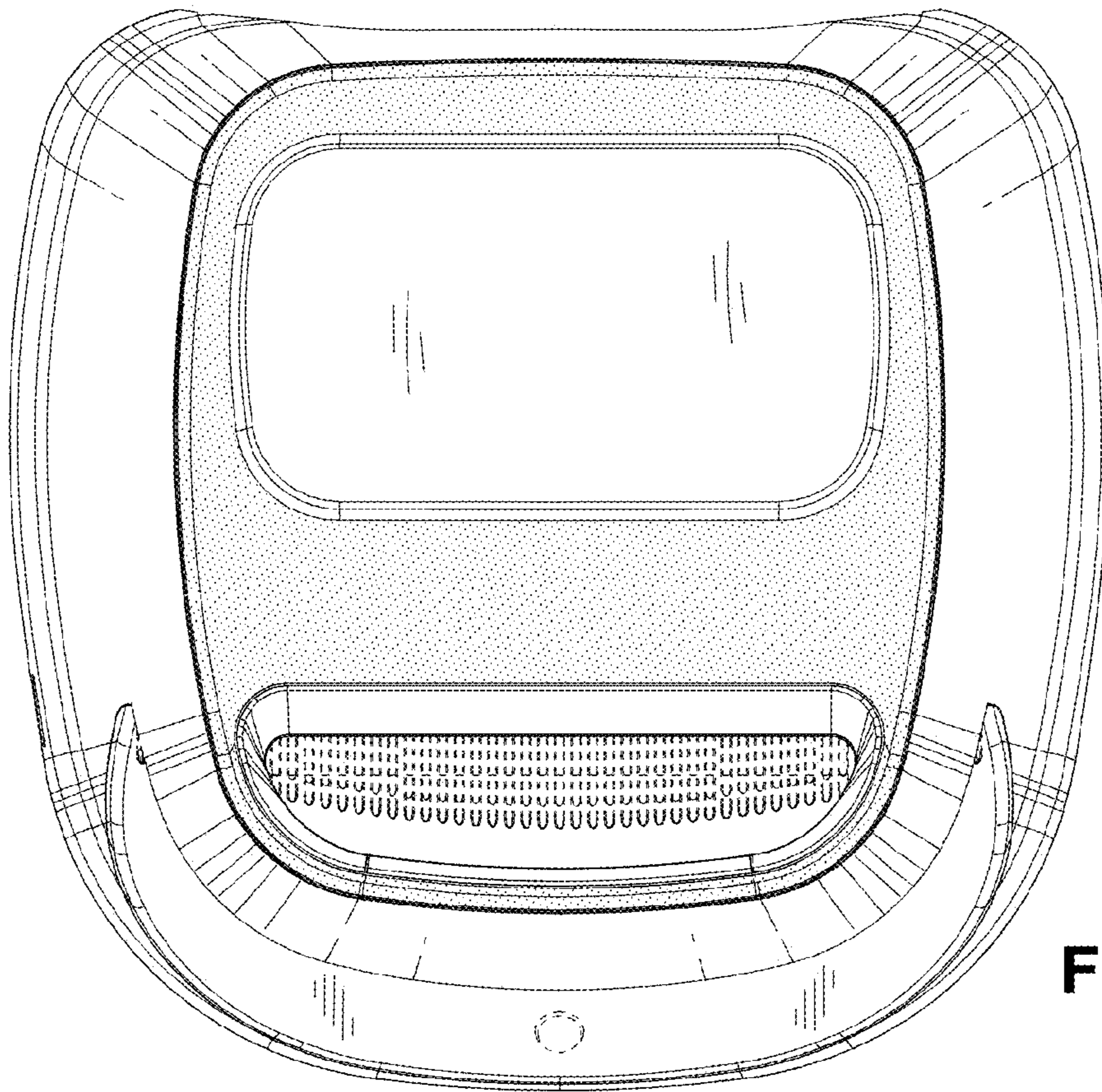
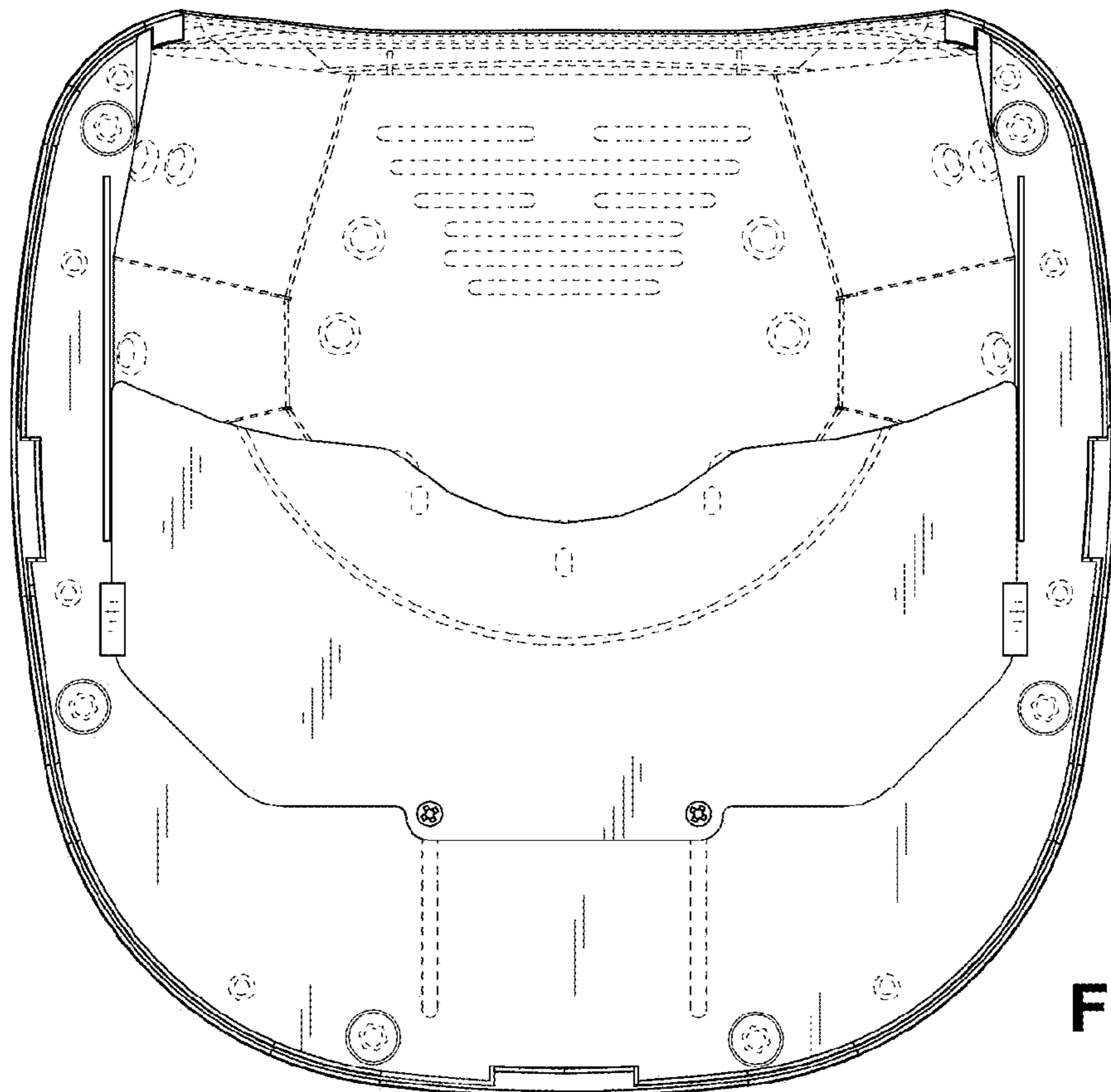


FIG. 6



**FIG. 7**



**FIG. 8**

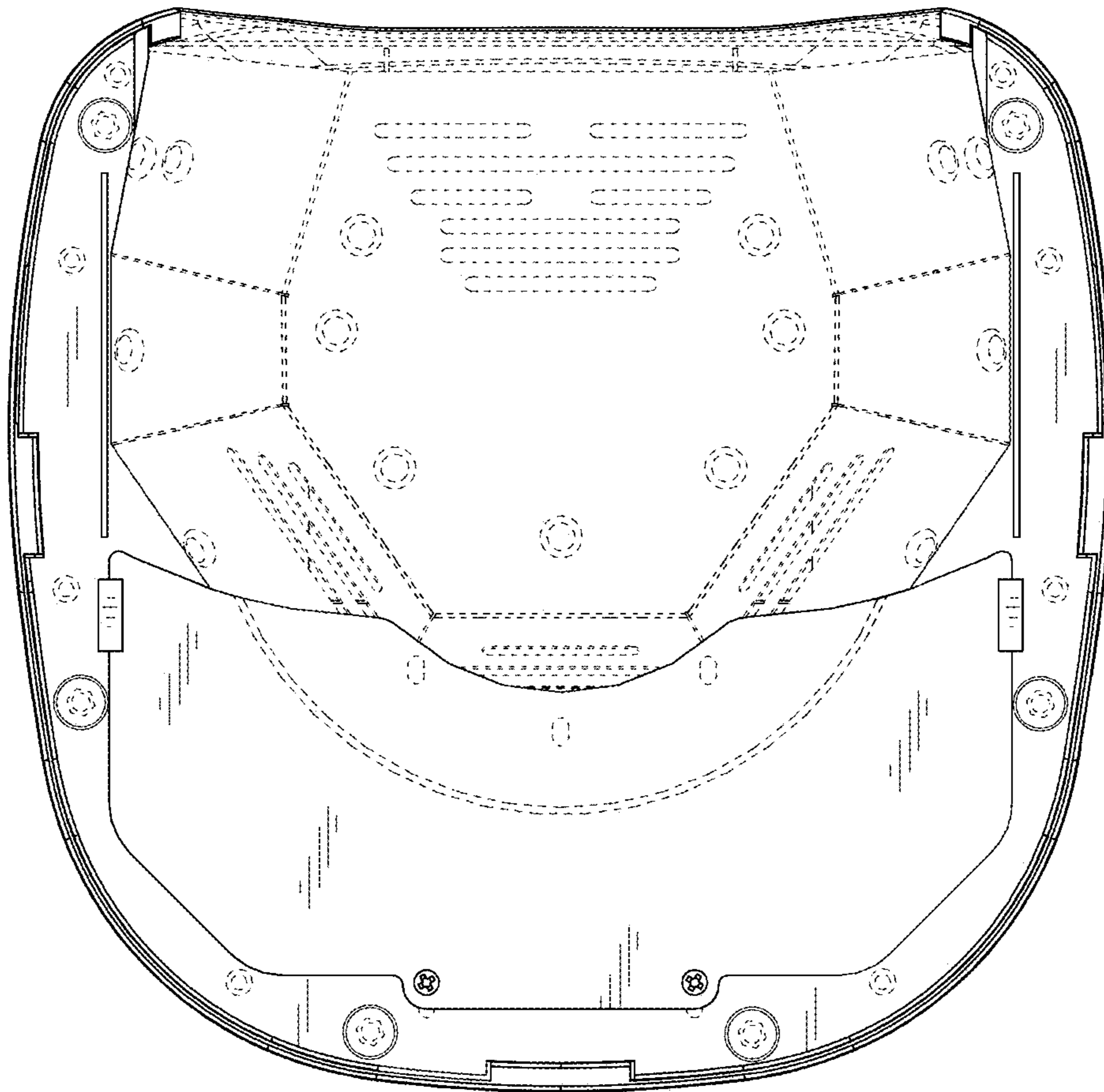


FIG. 9