



US00D914980S

(12) **United States Design Patent**
Rodriguez

(10) **Patent No.:** **US D914,980 S**

(45) **Date of Patent:** **** Mar. 30, 2021**

(54) **HAIR TRIMMER ACCESSORY**

(71) Applicant: **Angel Luis Rodriguez**, Kearny, NJ
(US)

(72) Inventor: **Angel Luis Rodriguez**, Kearny, NJ
(US)

(**) Term: **15 Years**

(21) Appl. No.: **29/695,166**

(22) Filed: **Jun. 17, 2019**

(51) **LOC (13) Cl.** **28-03**

(52) **U.S. Cl.**
USPC **D28/54**

(58) **Field of Classification Search**
USPC D28/49-54
CPC B26B 19/00-08; B26B 19/10-12; B26B
19/20-24; B26B 19/26-265; B26B
19/38-3826; B26B 19/3873-3893; B26B
19/42

See application file for complete search history.

(56) **References Cited**

U.S. PATENT DOCUMENTS

2,207,269	A *	7/1940	Schiff	B26B 19/3853 30/34.05
D696,459	S *	12/2013	Chan	D28/53
8,732,966	B2 *	5/2014	Snow	B26B 19/3813 30/537
8,840,744	B2 *	9/2014	Antonini	B32B 7/12 156/219
D824,107	S *	7/2018	Teteak	D28/53
10,150,224	B2 *	12/2018	Ogawa	B26B 19/04
10,807,255	B1 *	10/2020	Rodriguez	B26B 19/04
2003/0037441	A1 *	2/2003	Butcher	B26B 19/3853 30/233
2005/0015997	A1 *	1/2005	Roble	B26B 19/3813 30/232

(Continued)

Primary Examiner — Jennifer Rivard

(74) *Attorney, Agent, or Firm* — Walter J. Tencza, Jr.

(57) **CLAIM**

I claim the ornamental design for the hair trimmer accessory, as shown and described.

DESCRIPTION

FIG. 1 is a right side, top, and front perspective view of a hair trimmer accessory attached to a hair trimmer in accordance with the present invention;

FIG. 2 is a top plan view of the hair trimmer accessory attached to the hair trimmer;

FIG. 3 is a right side elevational view of the hair trimmer accessory attached to the hair trimmer, wherein the left side is a mirror image of the right side;

FIG. 4 a right, top, and front perspective view of the hair trimmer accessory of FIG. 1 unattached from the hair trimmer shown in FIG. 1;

FIG. 5 is a bottom, front, and left side perspective view of the hair trimmer accessory of FIG. 1 unattached from the hair trimmer shown in FIG. 1;

FIG. 6 is a front elevational view of the hair trimmer accessory of FIG. 1 unattached from the hair trimmer shown in FIG. 1;

FIG. 7 is a rear elevational view of the hair trimmer accessory of FIG. 1 unattached from the hair trimmer shown in FIG. 1;

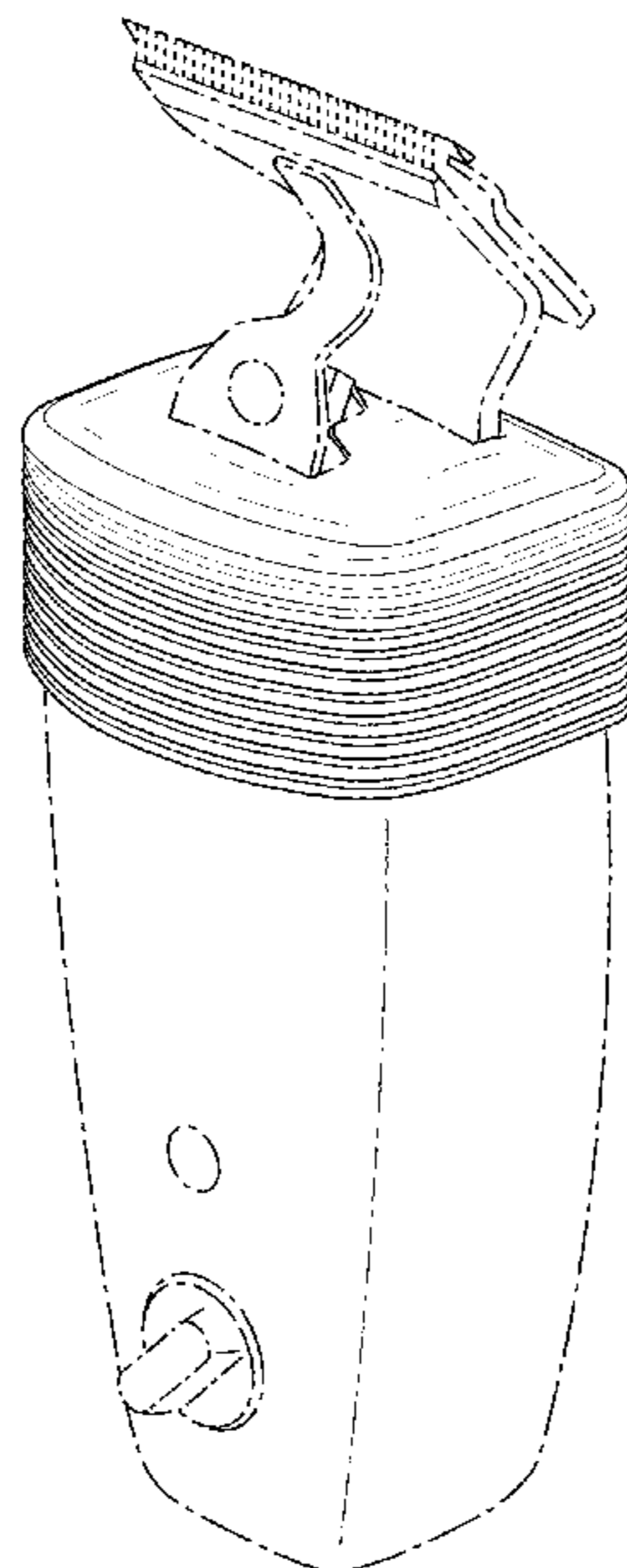
FIG. 8 is a right side elevational view of the hair trimmer accessory of FIG. 1, unattached to the hair trimmer of FIG. 1, wherein the left side is a mirror image of the right side;

FIG. 9 is a top plan view of the hair trimmer accessory of FIG. 1, unattached from the hair trimmer of FIG. 1; and,

FIG. 10 is a bottom plan view of the hair trimmer accessory of FIG. 1, unattached from the hair trimmer of FIG. 1.

The hair trimmer is shown in broken lines for illustrative purposes only and forms no part of the claimed design.

1 Claim, 10 Drawing Sheets



(56)

References Cited

U.S. PATENT DOCUMENTS

2010/0183814 A1* 7/2010 Rios A63B 60/00
427/387

* cited by examiner

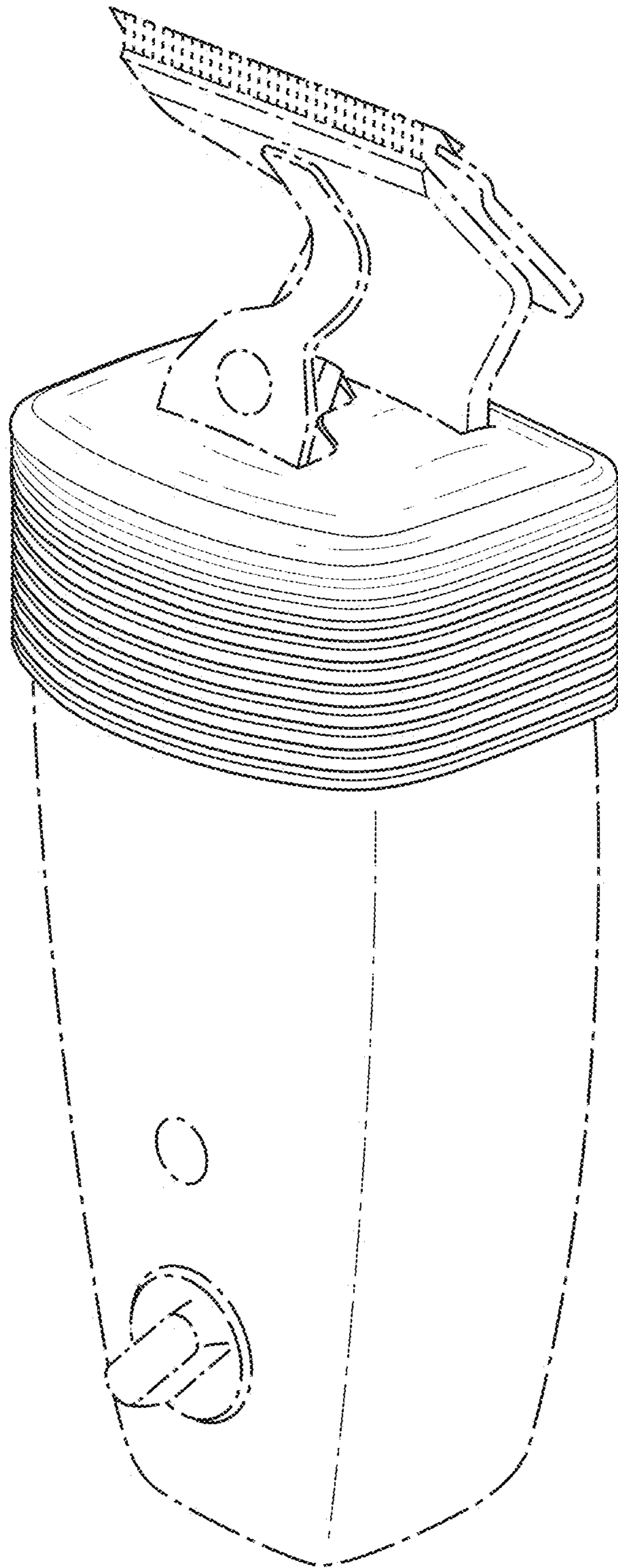


FIG. 1

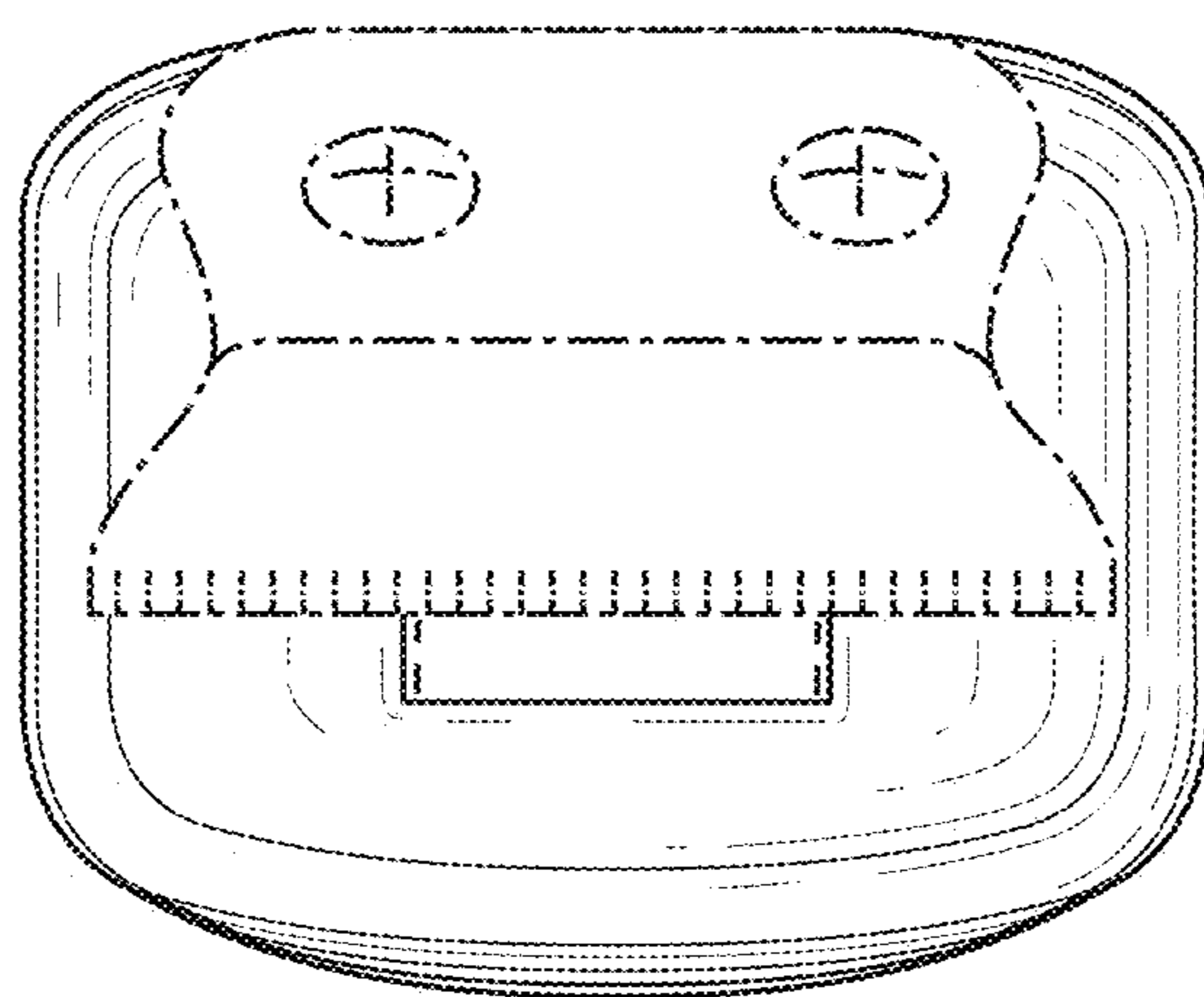


FIG. 2

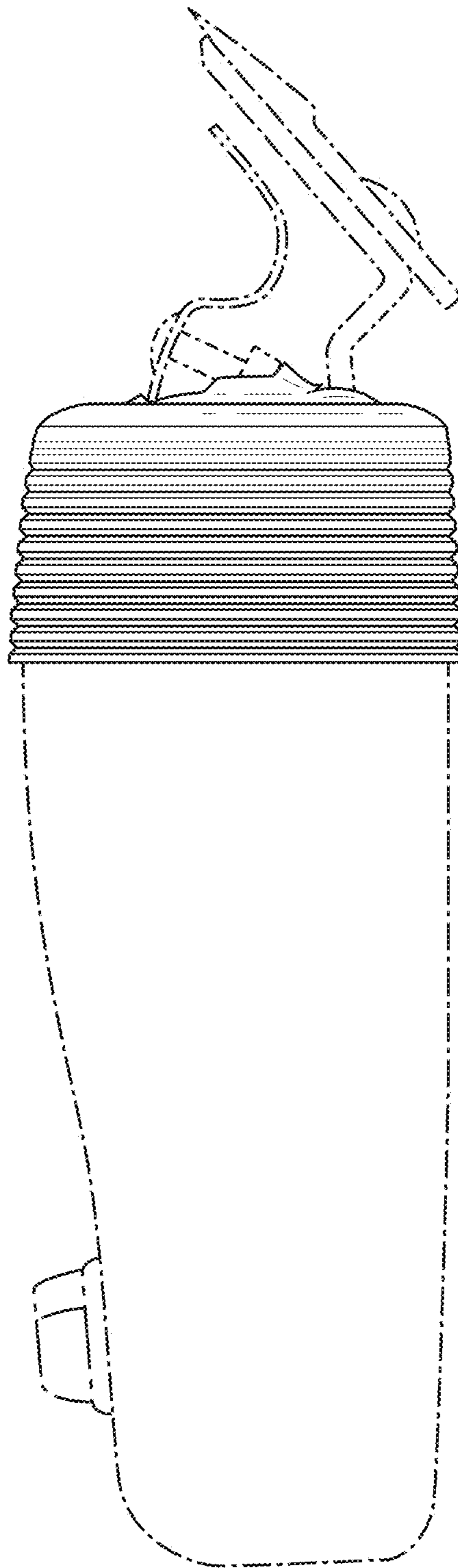


FIG. 3

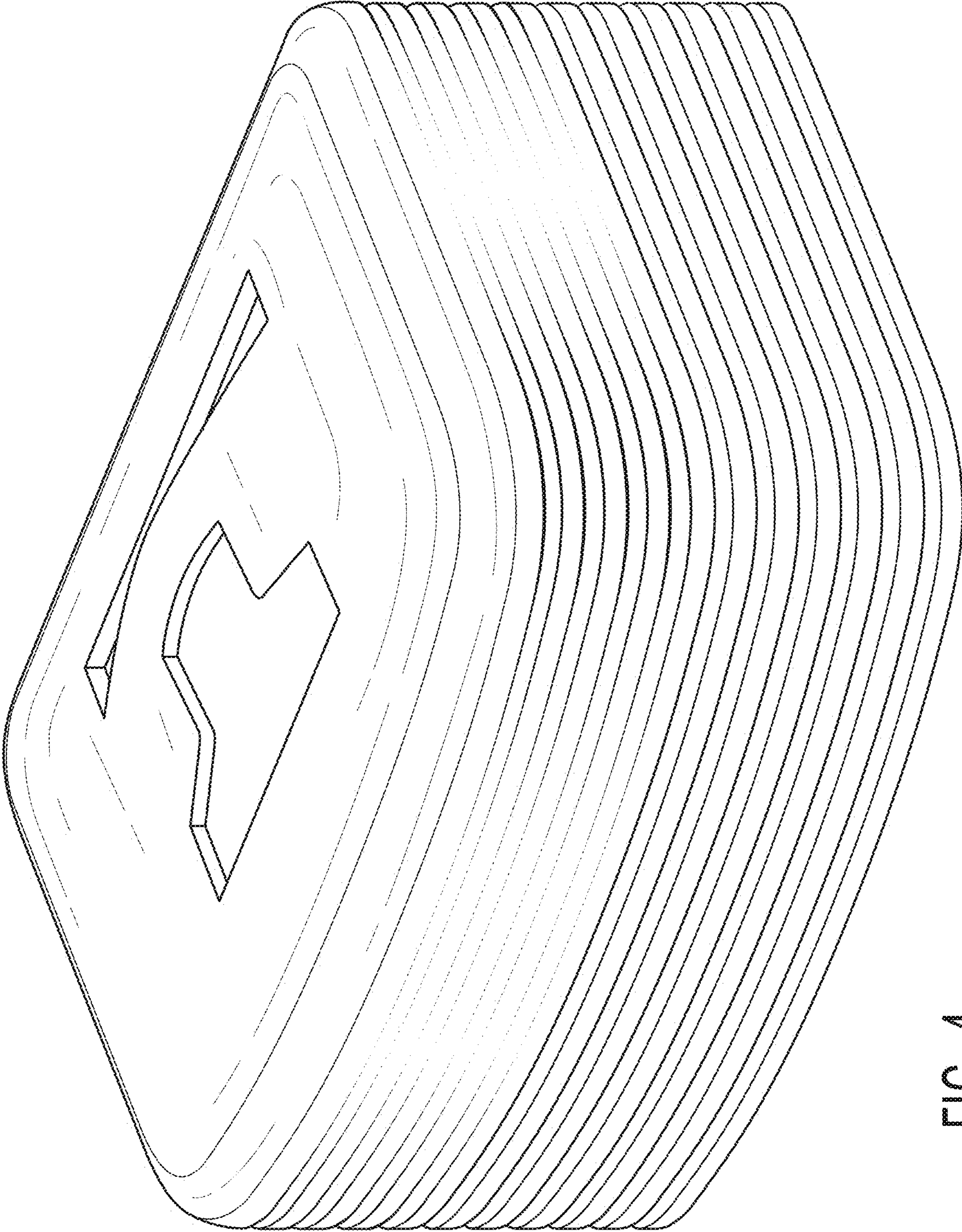


FIG. 4

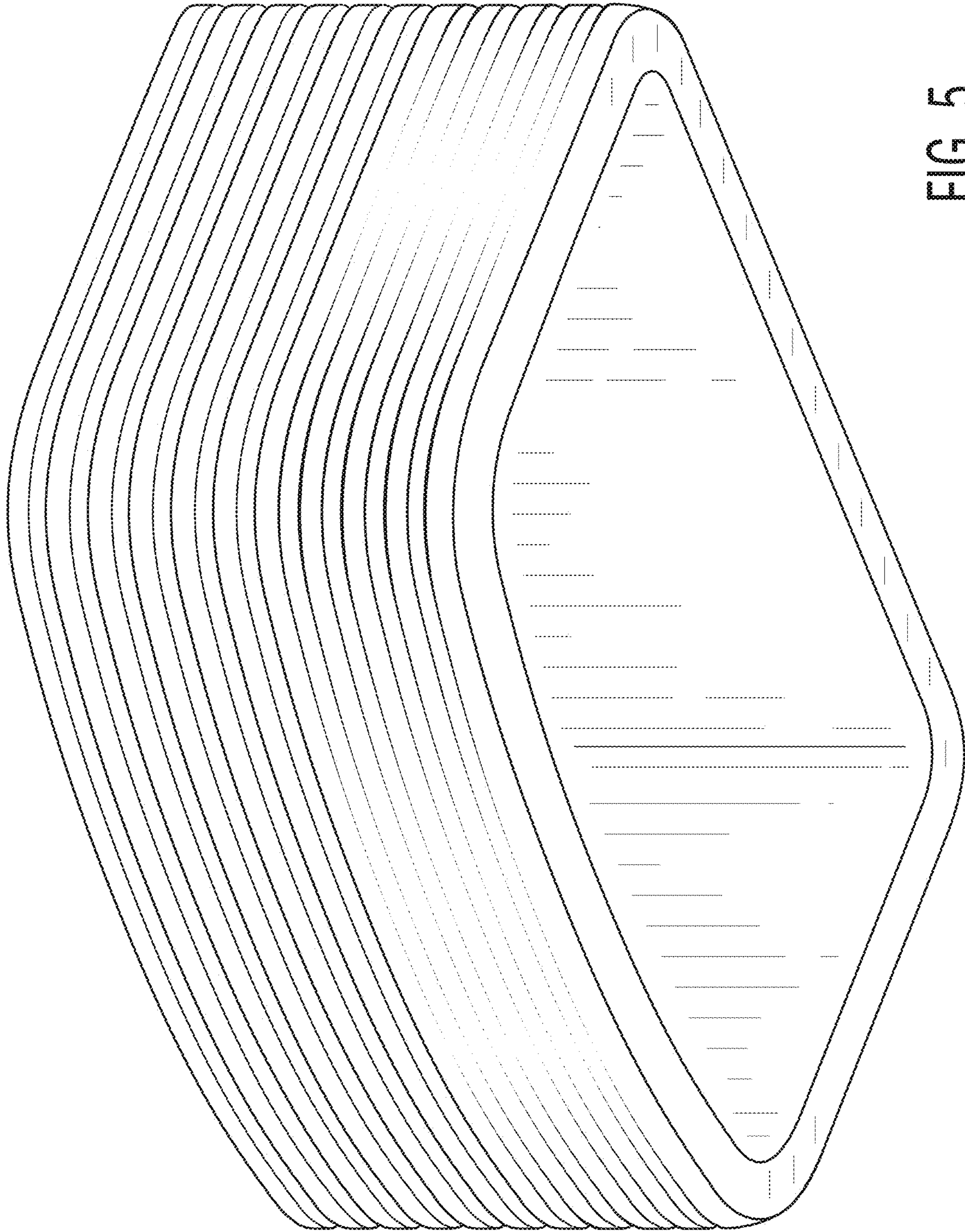


FIG. 5

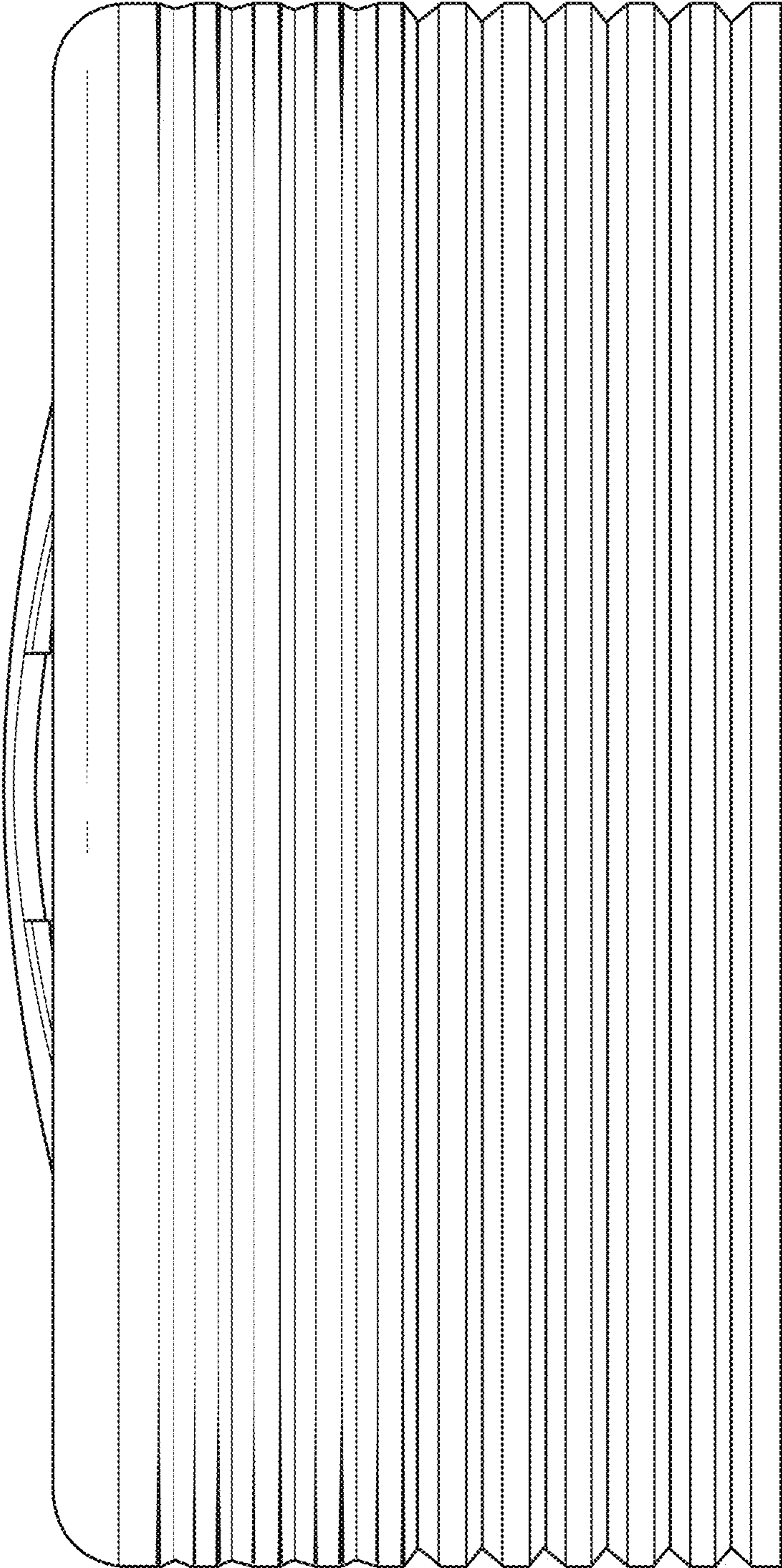


FIG. 6

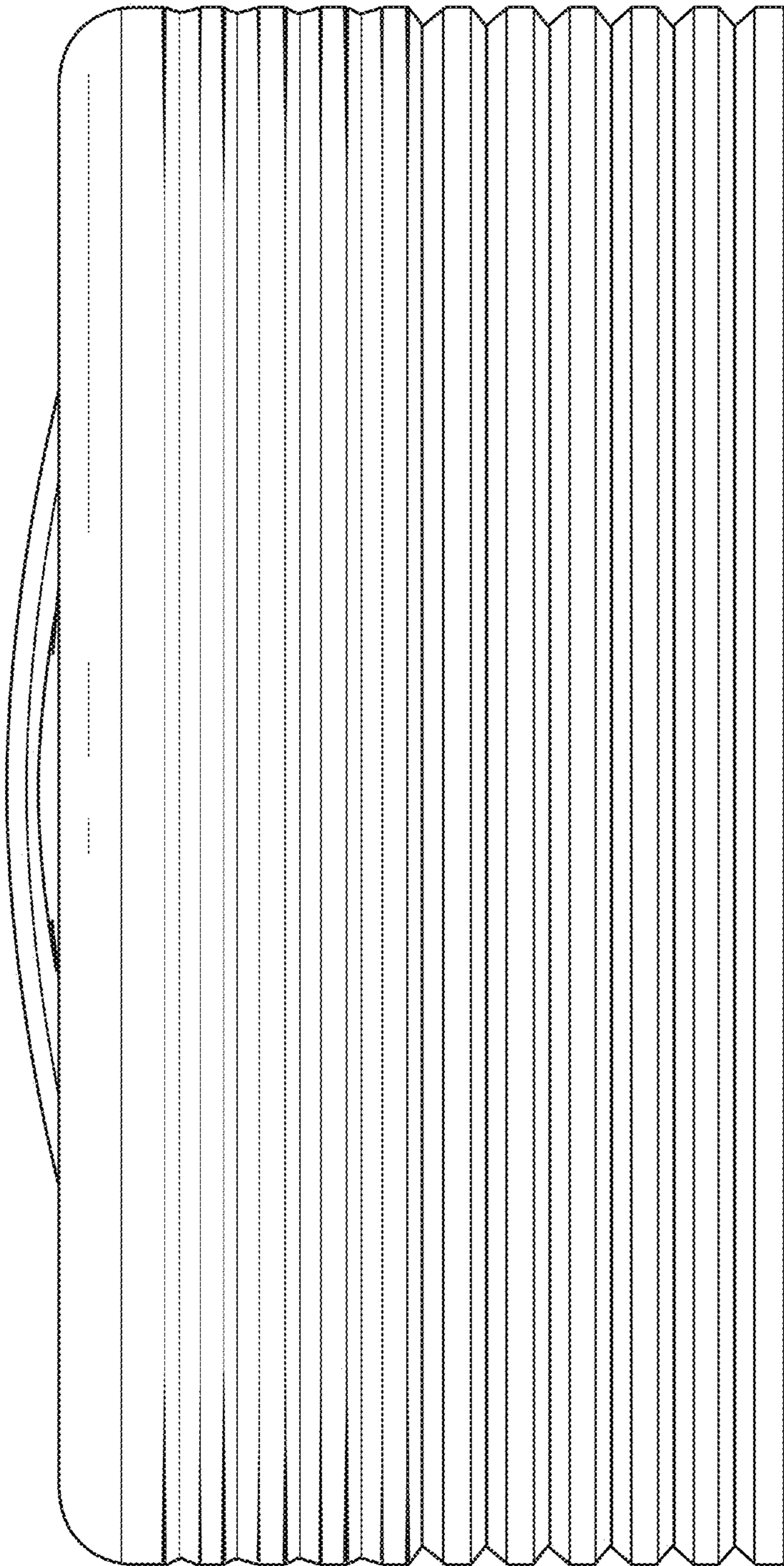


FIG. 7

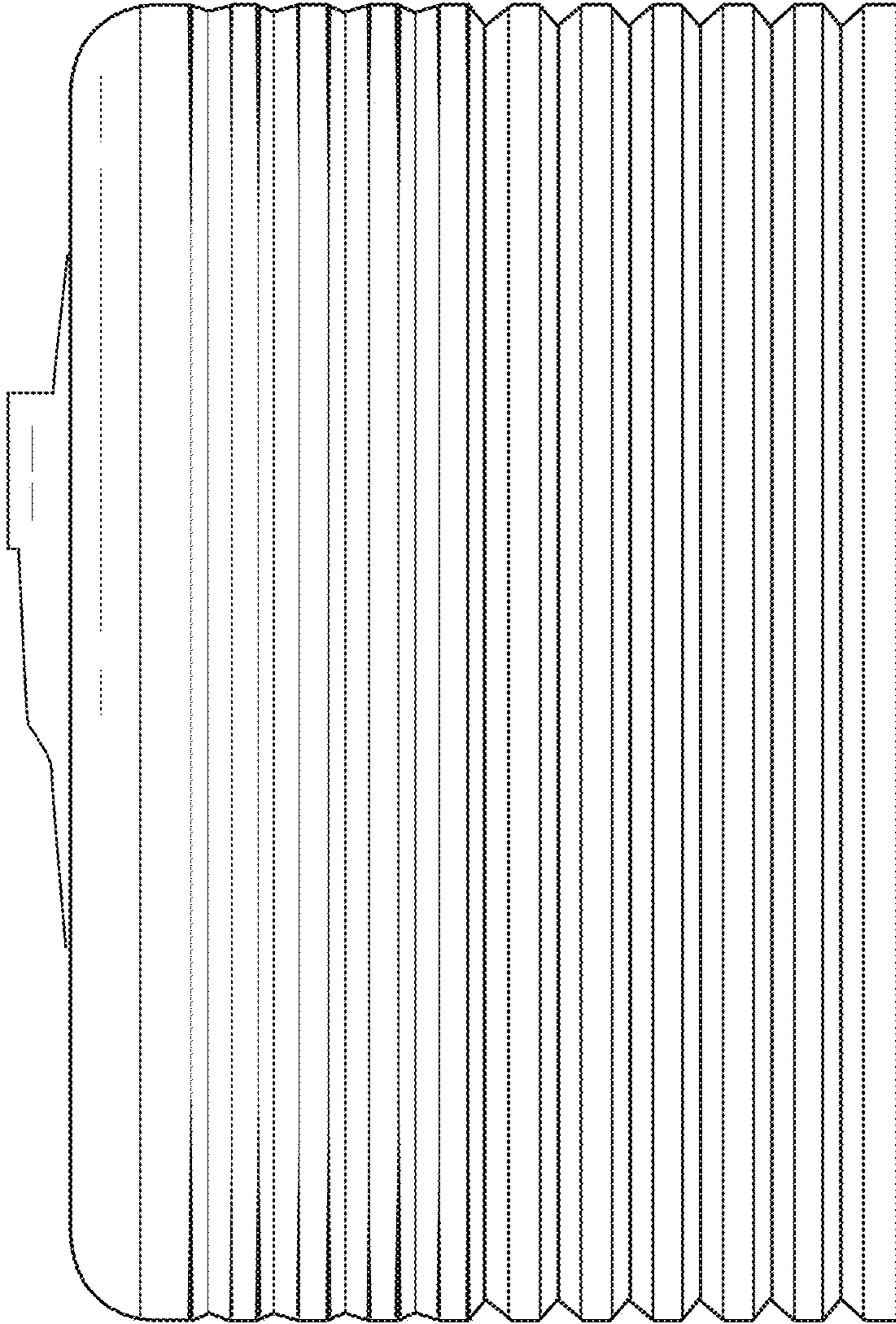


FIG. 8

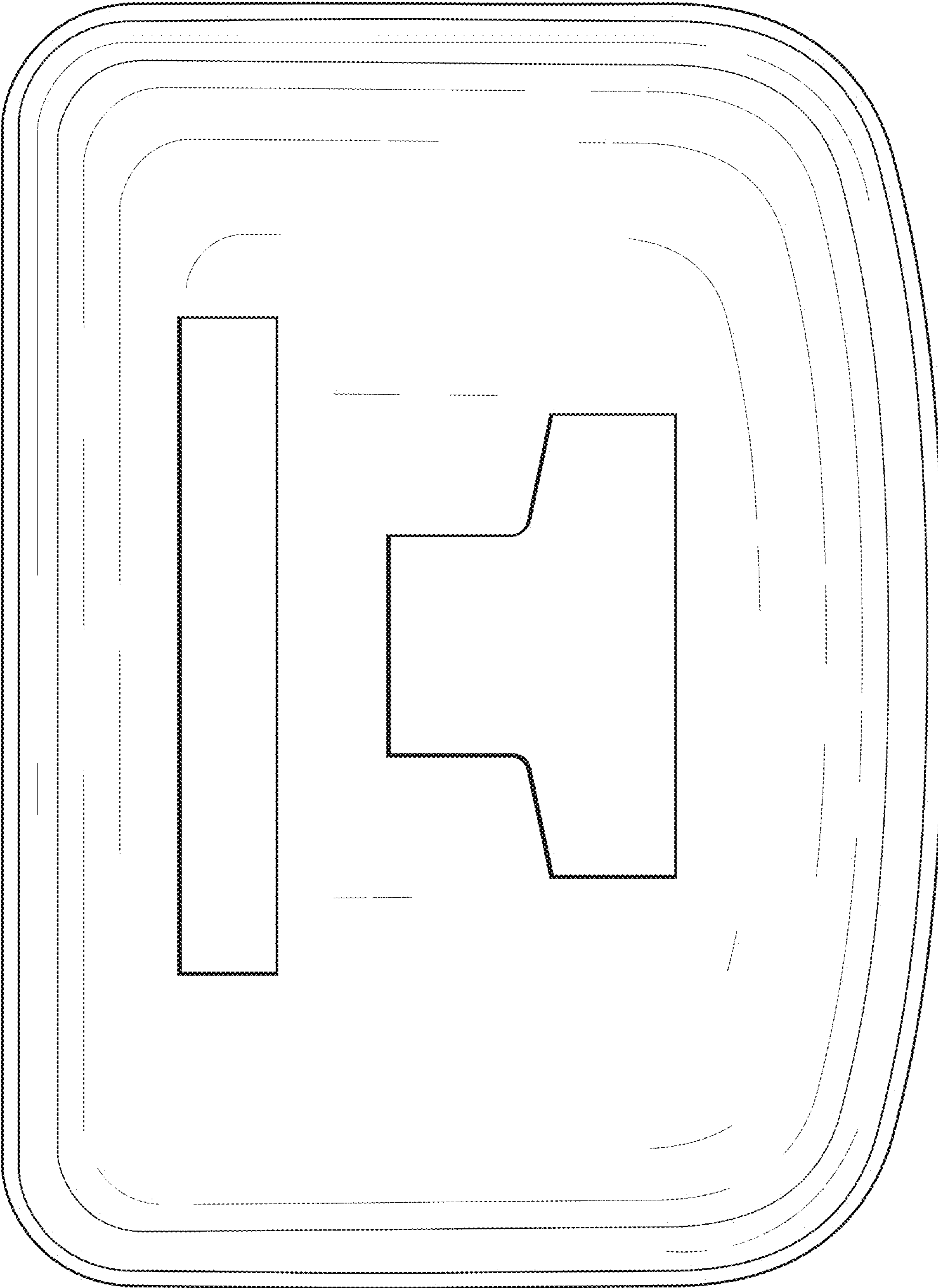


FIG. 9

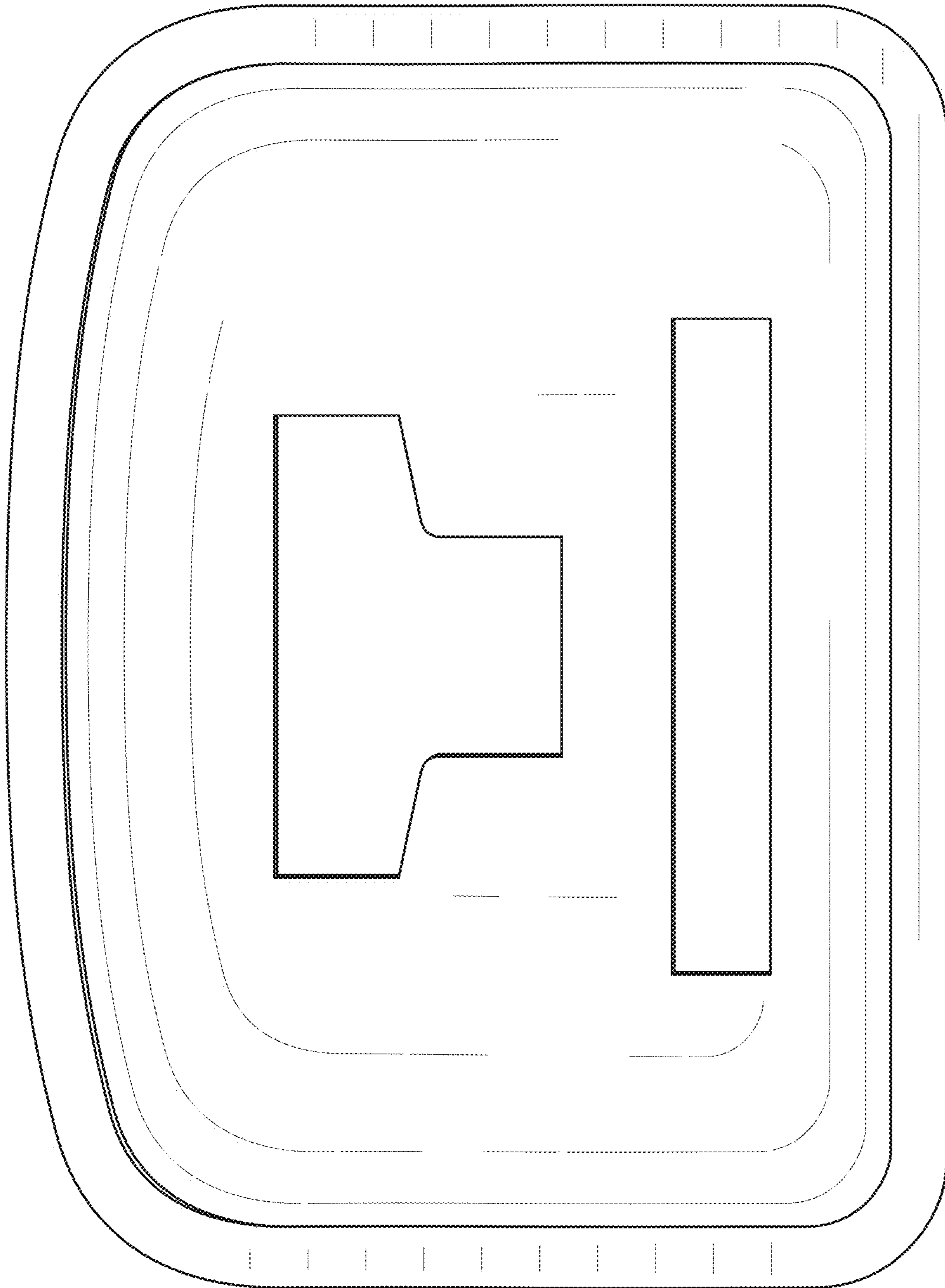


FIG. 10