



US00D914973S

(12) **United States Design Patent**  
**Huang**

(10) **Patent No.:** **US D914,973 S**

(45) **Date of Patent:** **\*\* Mar. 30, 2021**

(54) **HAIR DRIER**

D782,733 S \* 3/2017 Smith ..... D28/13  
D859,738 S \* 9/2019 Huang ..... D28/13  
D861,246 S \* 9/2019 Hsu ..... D28/13

(71) Applicant: **Guangdong Huanengda Electrical appliances Co., LTD., Jieyang (CN)**

\* cited by examiner

(72) Inventor: **Huaqun Huang, Jieyang (CN)**

*Primary Examiner* — Zenia I Bennett

(73) Assignee: **Guangdong Huanengda Electrical appliances Co., Ltd., Jieyang (CN)**

(74) *Attorney, Agent, or Firm* — Dragon Sun Law Firm, PC; Jinggao Li, Esq.

(\*\*) Term: **15 Years**

(21) Appl. No.: **29/720,844**

(57) **CLAIM**

(22) Filed: **Jan. 16, 2020**

The ornamental design for a hair drier, as shown and described.

(30) **Foreign Application Priority Data**

Oct. 24, 2019 (CN) ..... 201930581680.4

(51) **LOC (13) Cl.** ..... **28-03**

**DESCRIPTION**

(52) **U.S. Cl.**  
USPC ..... **D28/13**

(58) **Field of Classification Search**  
USPC ..... D28/12-19; D8/29.1  
CPC ..... A45D 20/00; A45D 20/04; A45D 20/06;  
A45D 20/08; A45D 20/10; A45D 20/128;  
F24H 3/0423; F24H 3/0488; F24H 3/002;  
F24H 9/2071  
See application file for complete search history.

FIG. 1 is a perspective view of a hair drier showing my new design;  
FIG. 2 is a front view thereof;  
FIG. 3 is a rear view thereof;  
FIG. 4 is a left side view thereof;  
FIG. 5 is a right side view thereof;  
FIG. 6 is a top plan view thereof; and,  
FIG. 7 is a bottom plan view thereof.

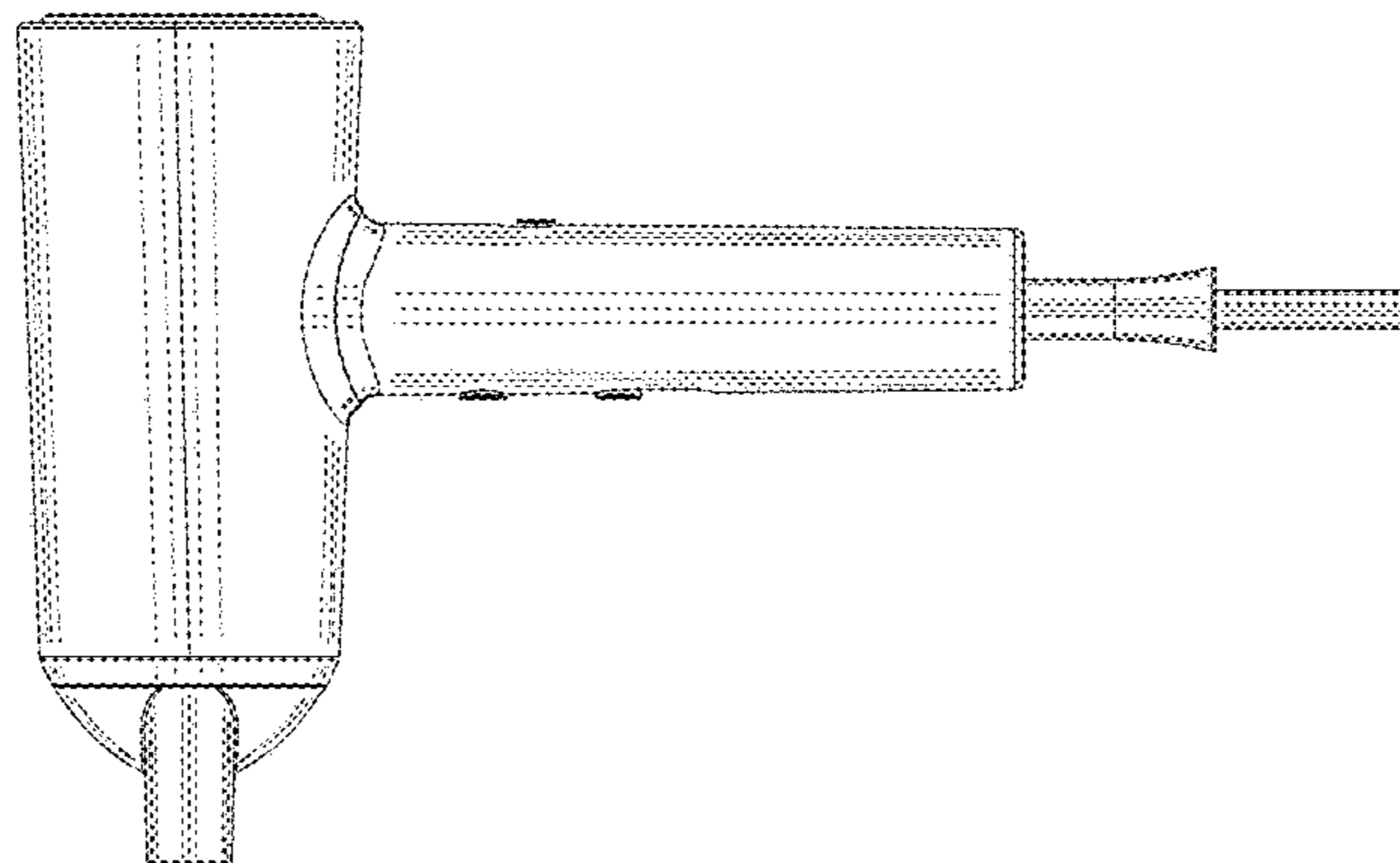
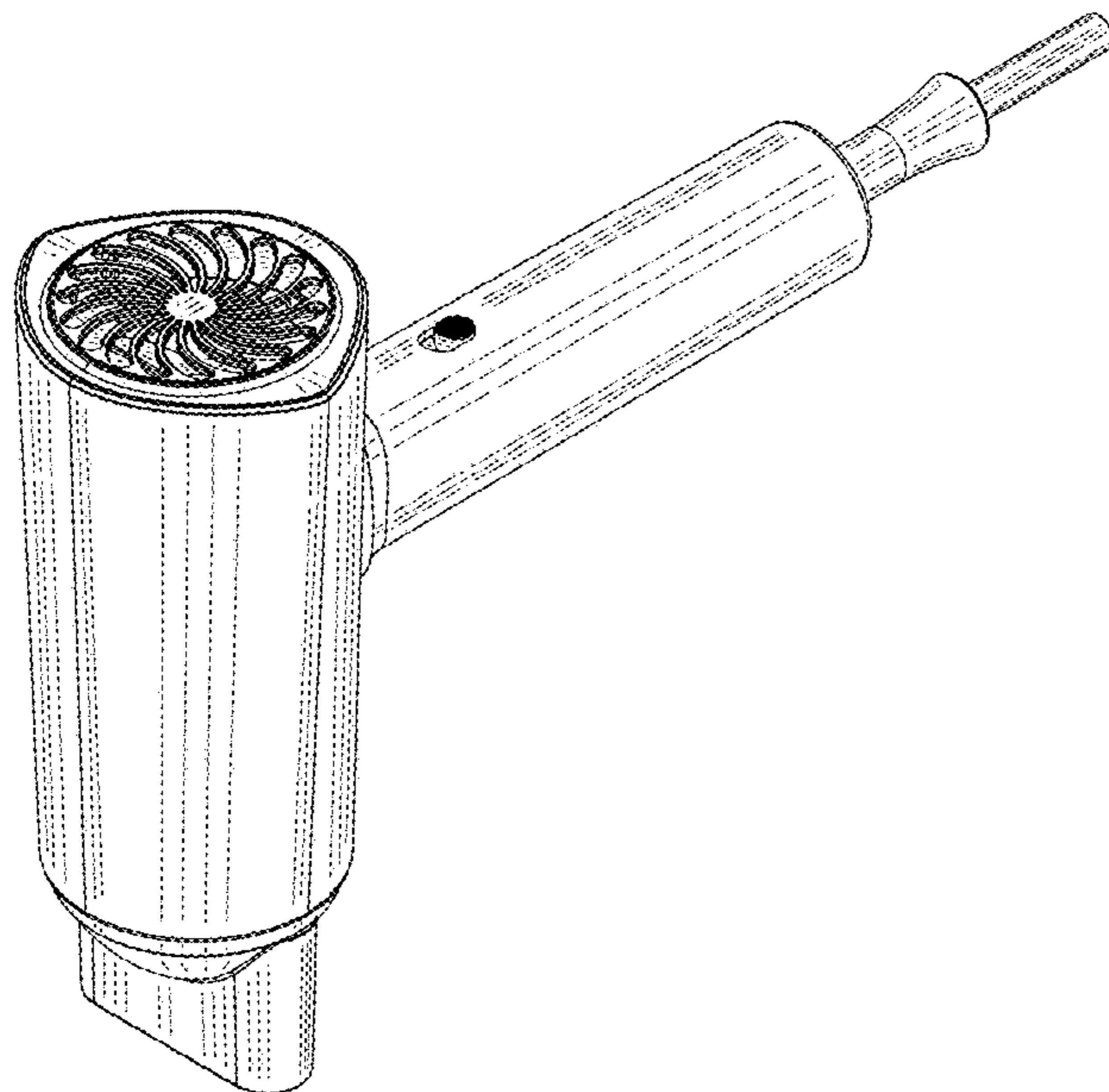
(56) **References Cited**

**U.S. PATENT DOCUMENTS**

D299,874 S \* 2/1989 Yamagami ..... D28/13  
D546,501 S \* 7/2007 Fukasawa ..... D28/13  
D782,731 S \* 3/2017 Smith ..... D28/13

The broken lines in the drawings illustrate portions of the hair drier and form no part of the claimed design.

**1 Claim, 7 Drawing Sheets**



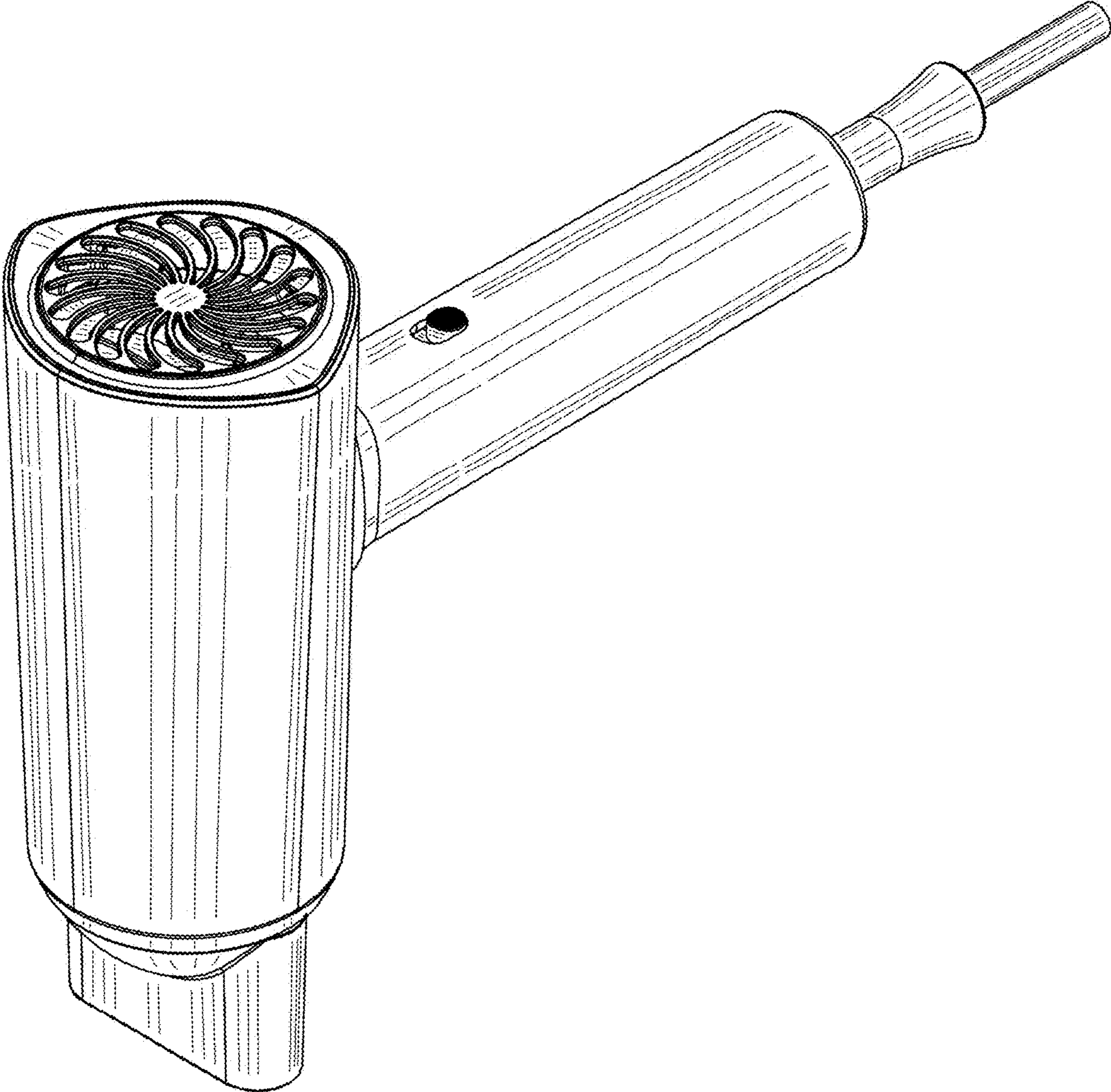


FIG. 1

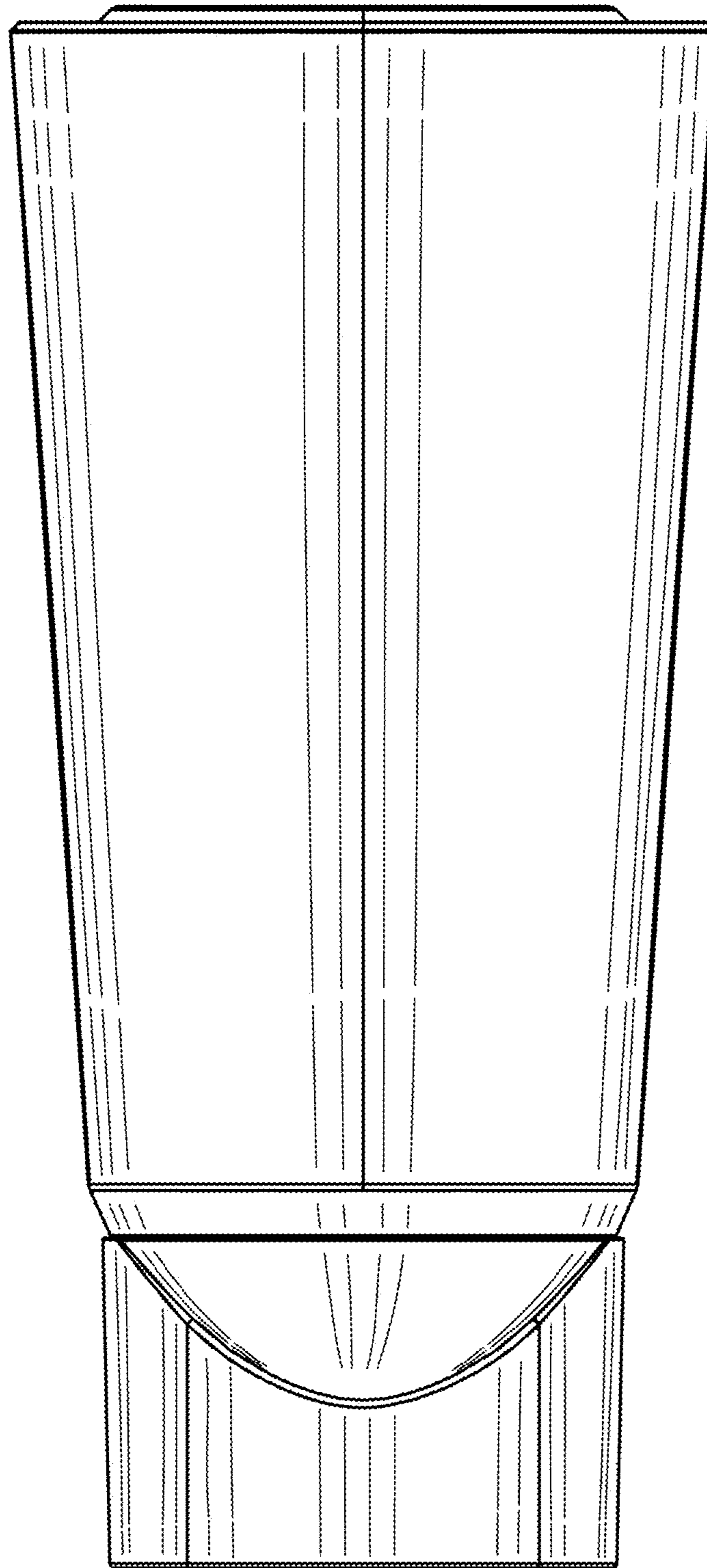


FIG. 2

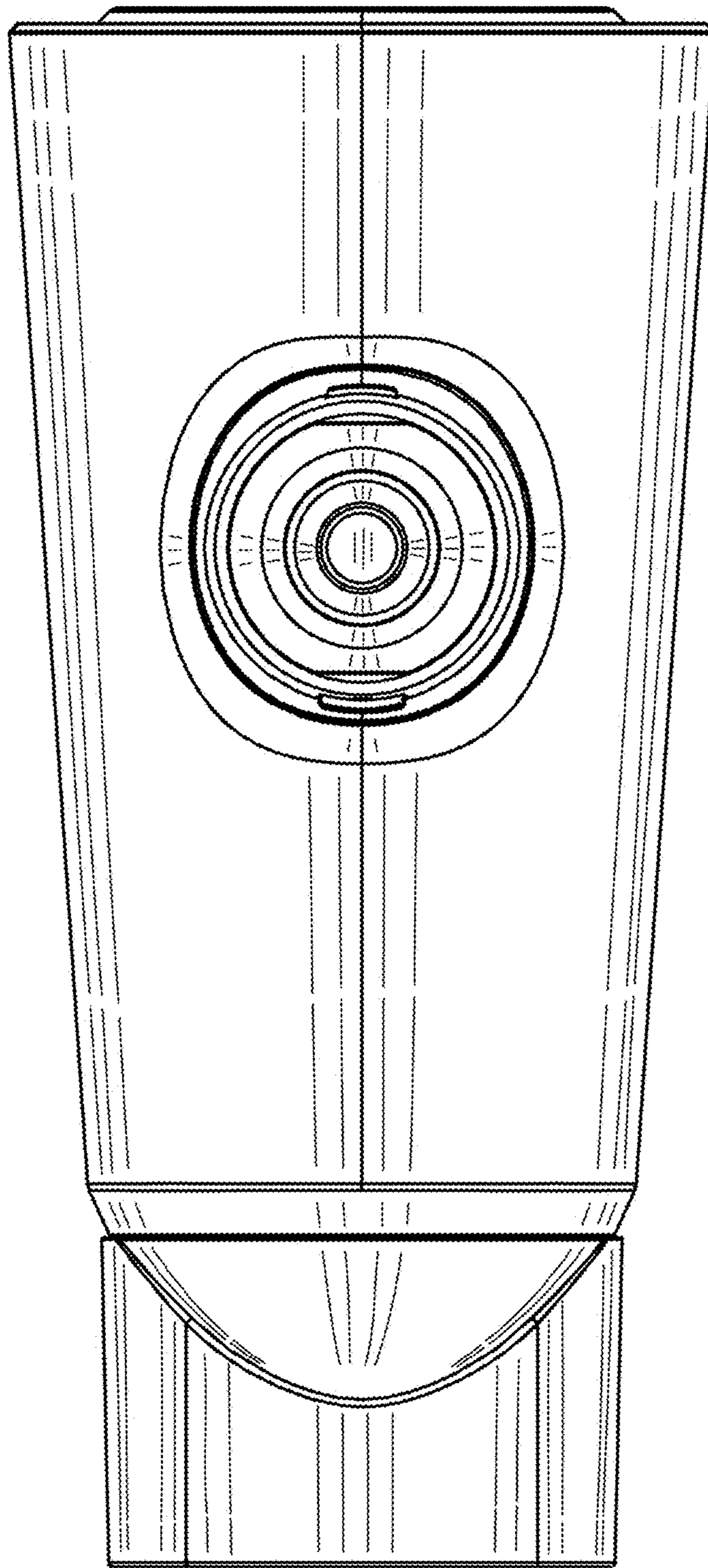


FIG. 3

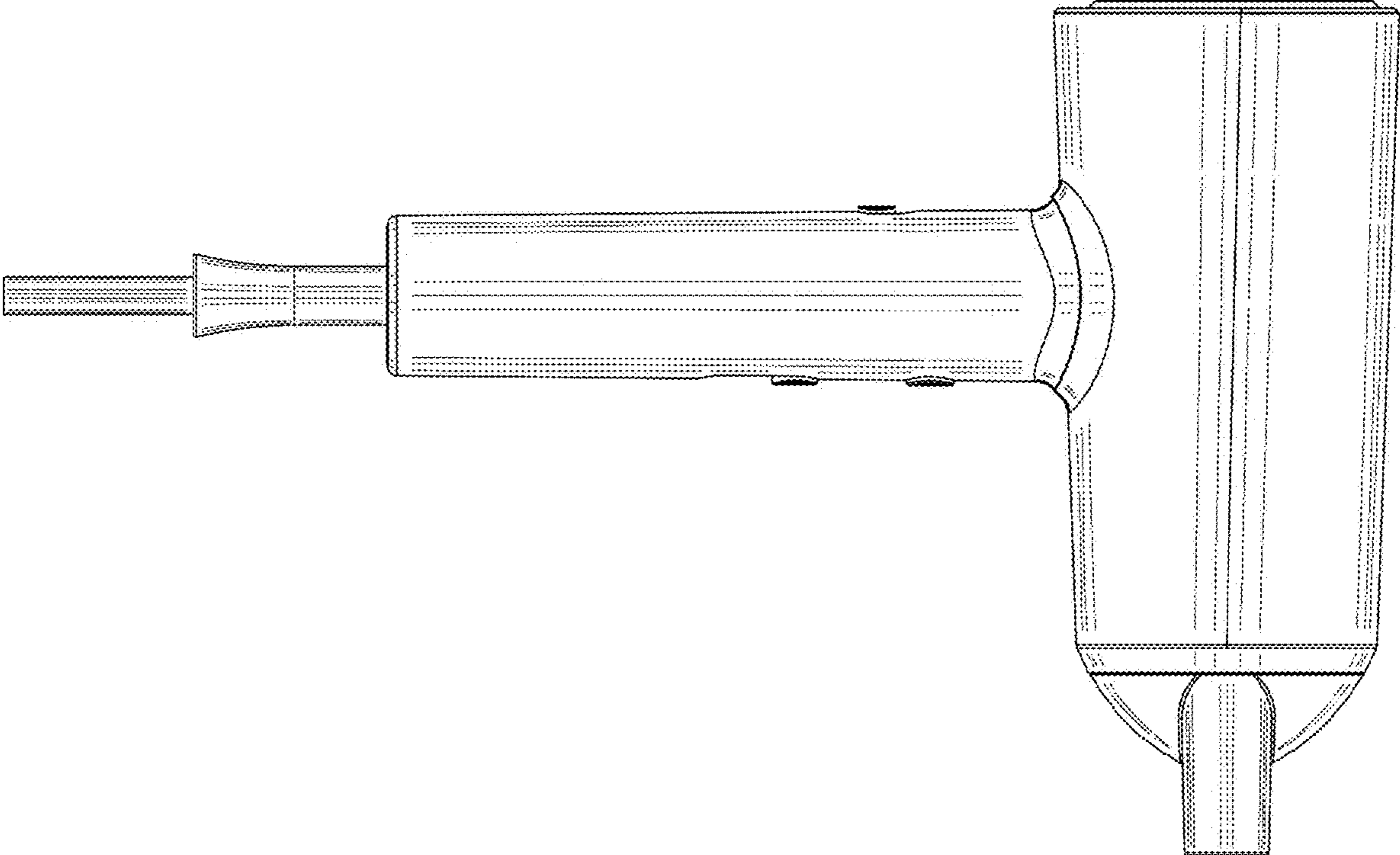


FIG. 4

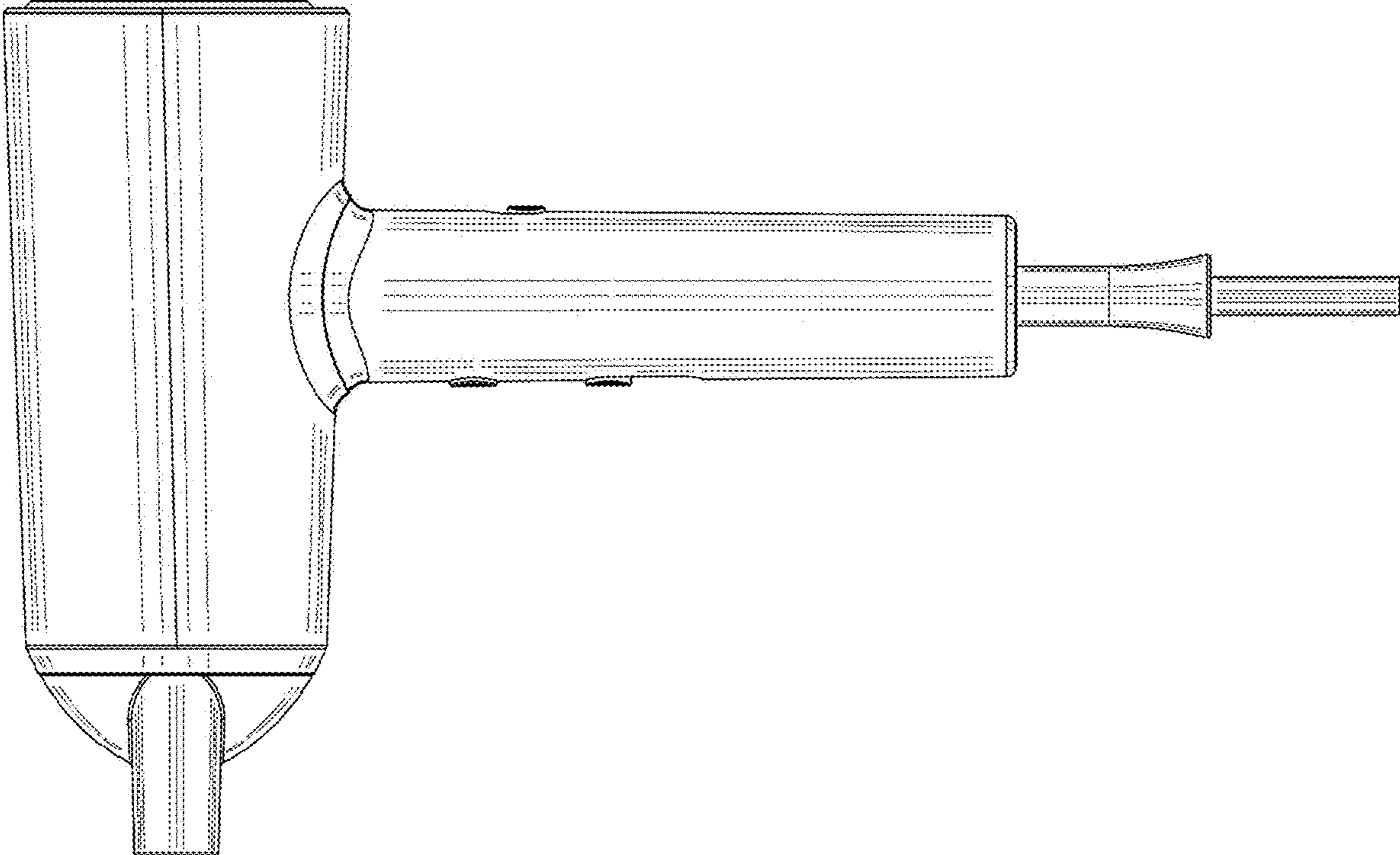


FIG. 5

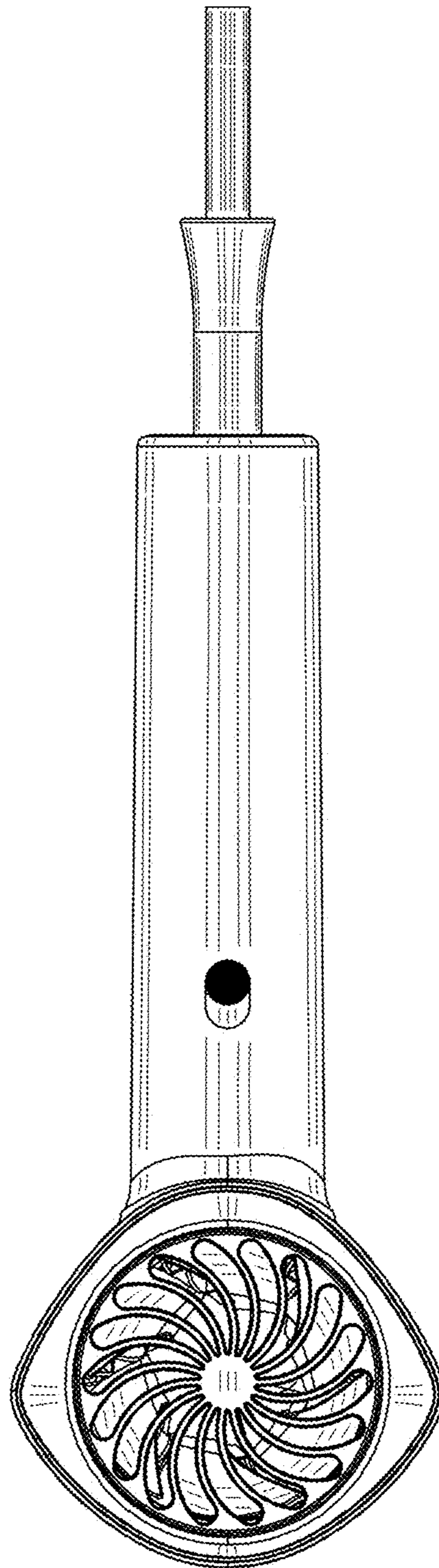


FIG. 6

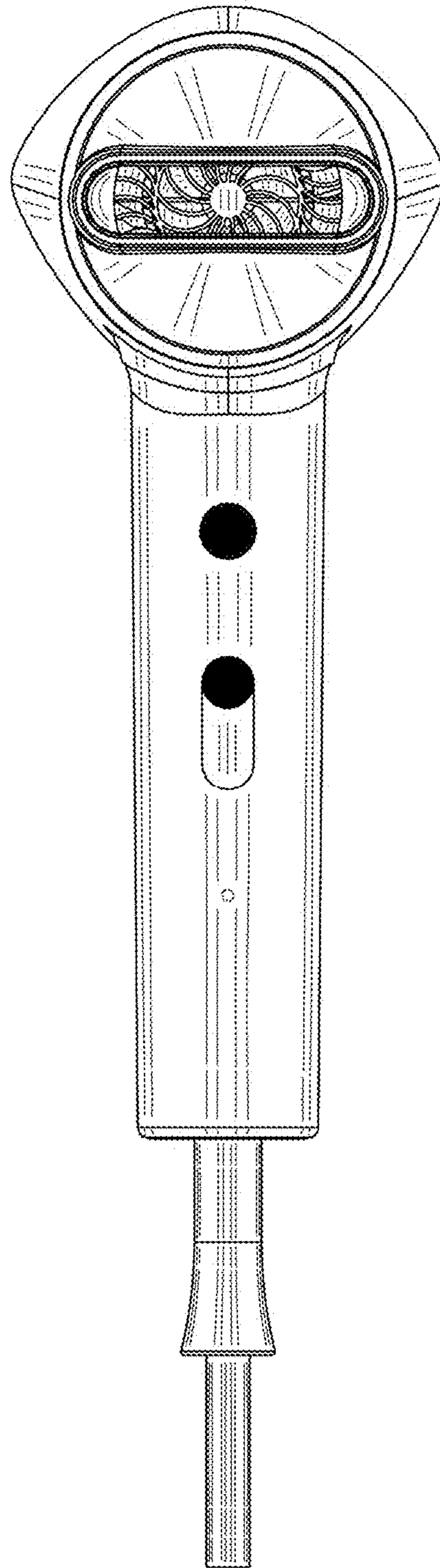


FIG. 7