



US00D914967S

(12) **United States Design Patent**
Huang

(10) **Patent No.:** **US D914,967 S**

(45) **Date of Patent:** **** Mar. 30, 2021**

(54) **HAIR DRYER**

(71) Applicant: **Guangdong Huanengda Electrical appliances Co., LTD., Jieyang (CN)**

(72) Inventor: **Huaqun Huang, Jieyang (CN)**

(73) Assignee: **Guangdong Huanengda Electrical appliances Co., LTD., Jieyang (CN)**

(**) Term: **15 Years**

(21) Appl. No.: **29/719,058**

(22) Filed: **Dec. 31, 2019**

(30) **Foreign Application Priority Data**

Sep. 2, 2019 (CN) 201930481025.1

(51) **LOC (13) Cl.** **28-03**

(52) **U.S. Cl.**
USPC **D28/13**

(58) **Field of Classification Search**

USPC D28/12-19; D8/29.1
CPC A45D 20/00; A45D 20/04; A45D 20/06;
A45D 20/08; A45D 20/10; A45D 20/128;
F24H 3/0423; F24H 3/0488; F24H 3/002;
F24H 9/2071

See application file for complete search history.

(56) **References Cited**

U.S. PATENT DOCUMENTS

D528,698 S * 9/2006 Rizzuto, Jr. D28/13
D681,274 S * 4/2013 Huang D28/13

D788,978 S * 6/2017 Kim D28/13
D877,979 S * 3/2020 Huang D28/13
D901,765 S * 11/2020 Huang D28/13
D901,767 S * 11/2020 Huang D28/13

* cited by examiner

Primary Examiner — Zenia I Bennett

(74) *Attorney, Agent, or Firm* — Dragon Sun Law Firm, PC; Jinggao Li, Esq.

(57) **CLAIM**

The ornamental design for hair dryer, as shown and described.

DESCRIPTION

FIG. 1 is a perspective view of a hair dryer showing my new design;

FIG. 2 is another perspective view thereof;

FIG. 3 is a front view thereof;

FIG. 4 is a rear view thereof;

FIG. 5 is a left side view thereof;

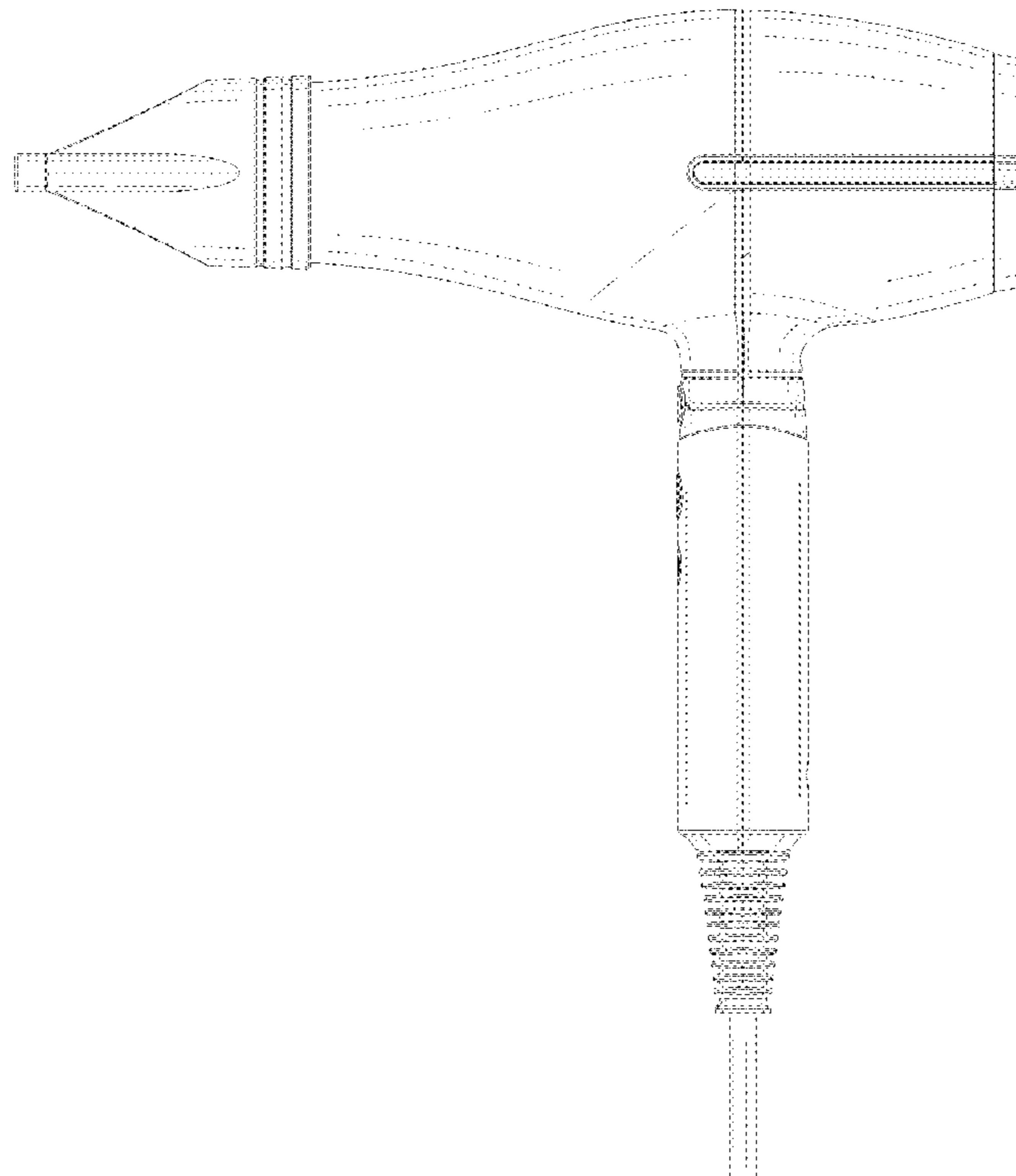
FIG. 6 is a right side view thereof;

FIG. 7 is a top plan view thereof; and,

FIG. 8 is a bottom plan view thereof.

The broken lines in the drawings illustrate portions of the hair dryer and form no part of the claimed design.

1 Claim, 8 Drawing Sheets



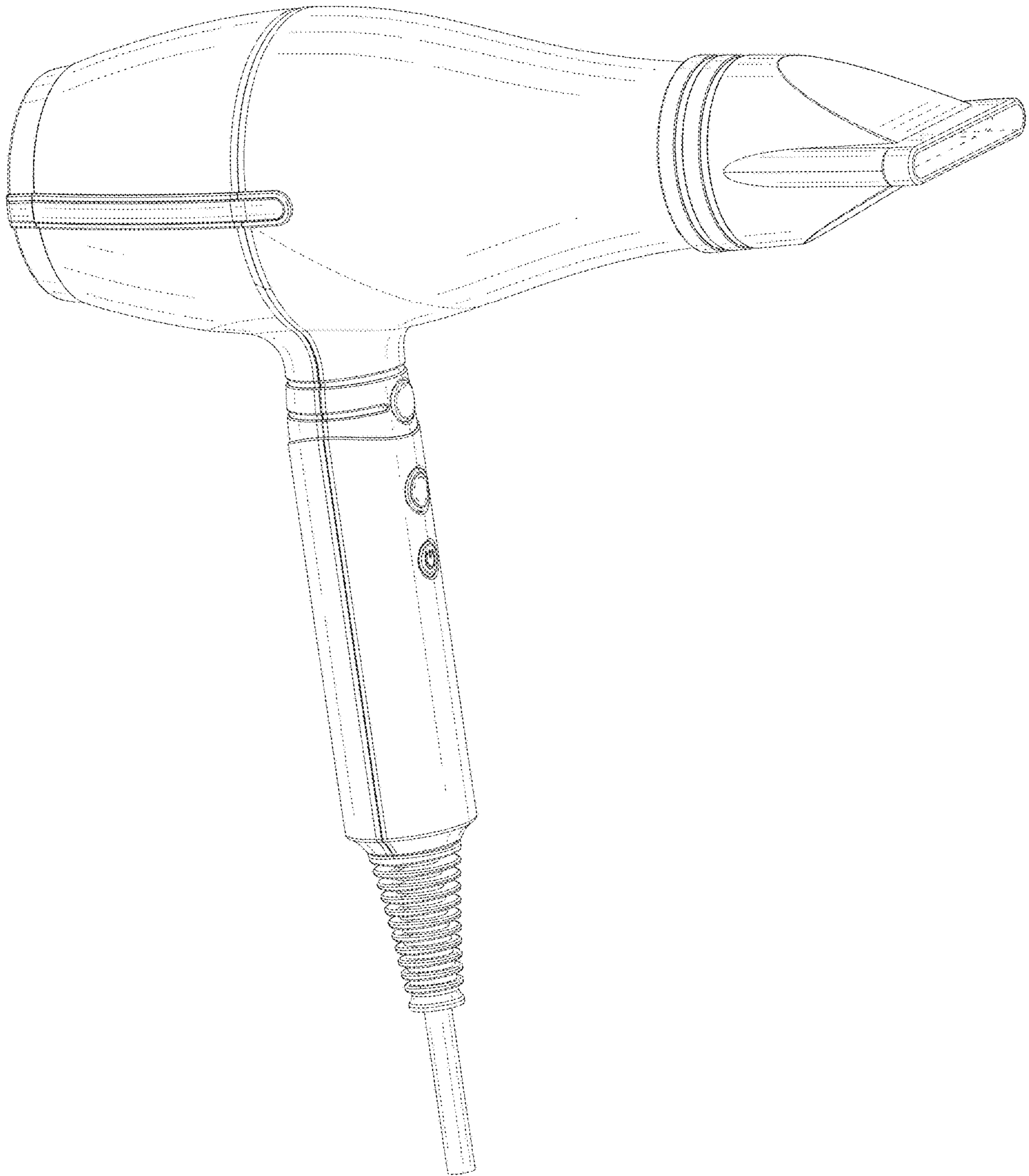


FIG. 1

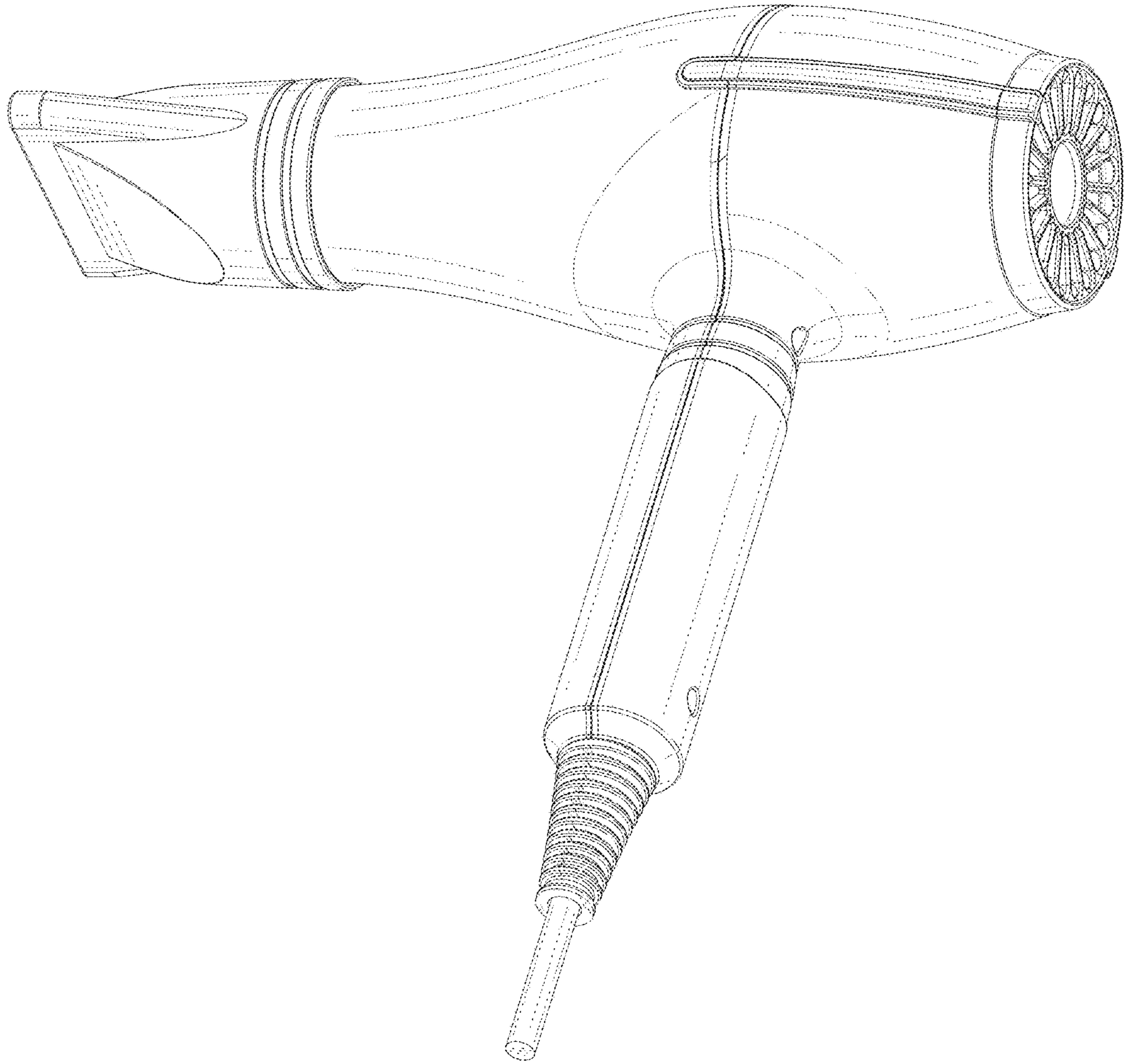


FIG. 2

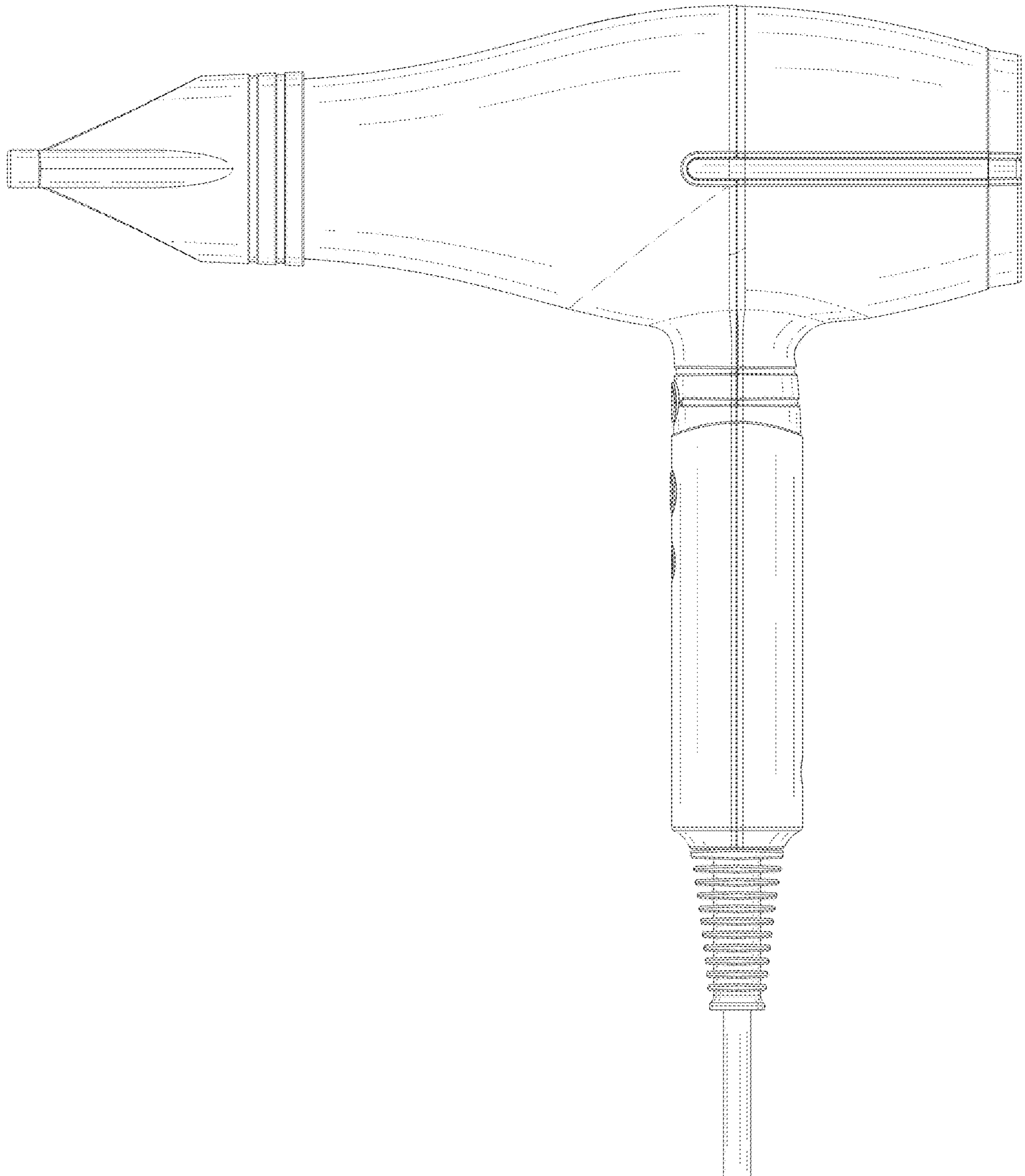


FIG. 3

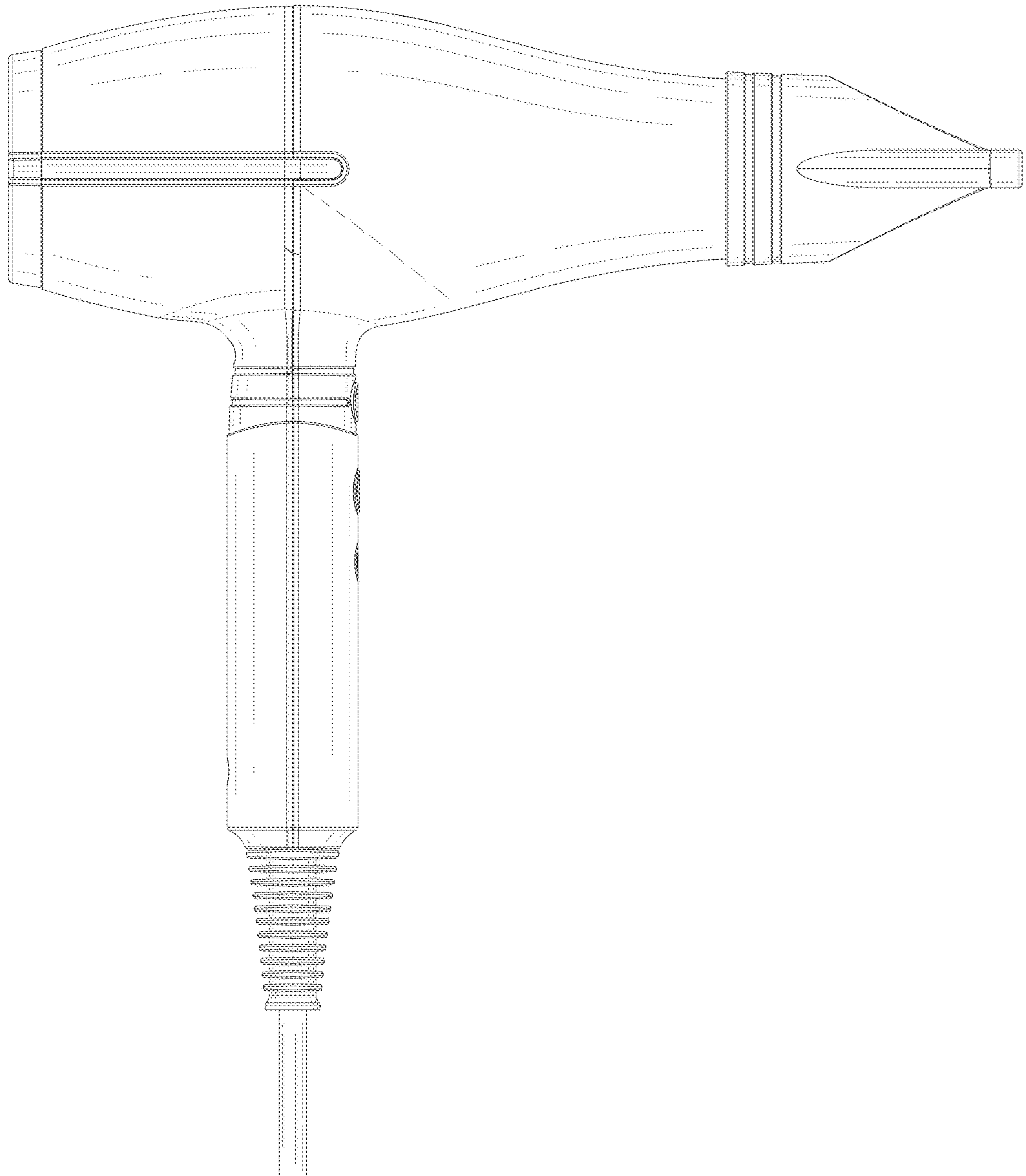


FIG. 4

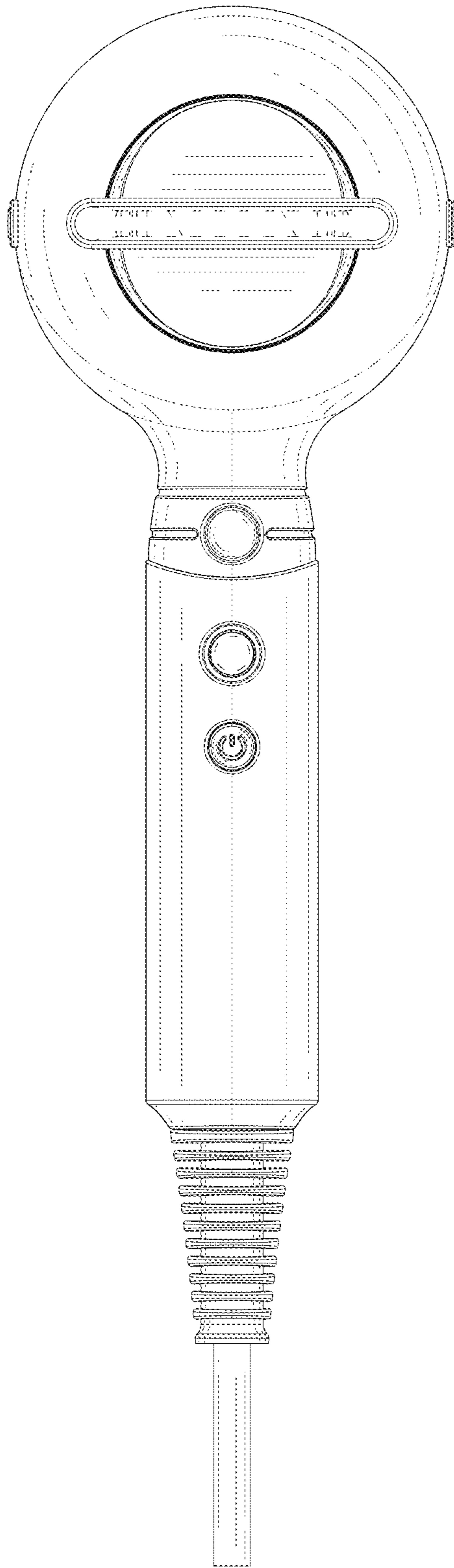


FIG. 5

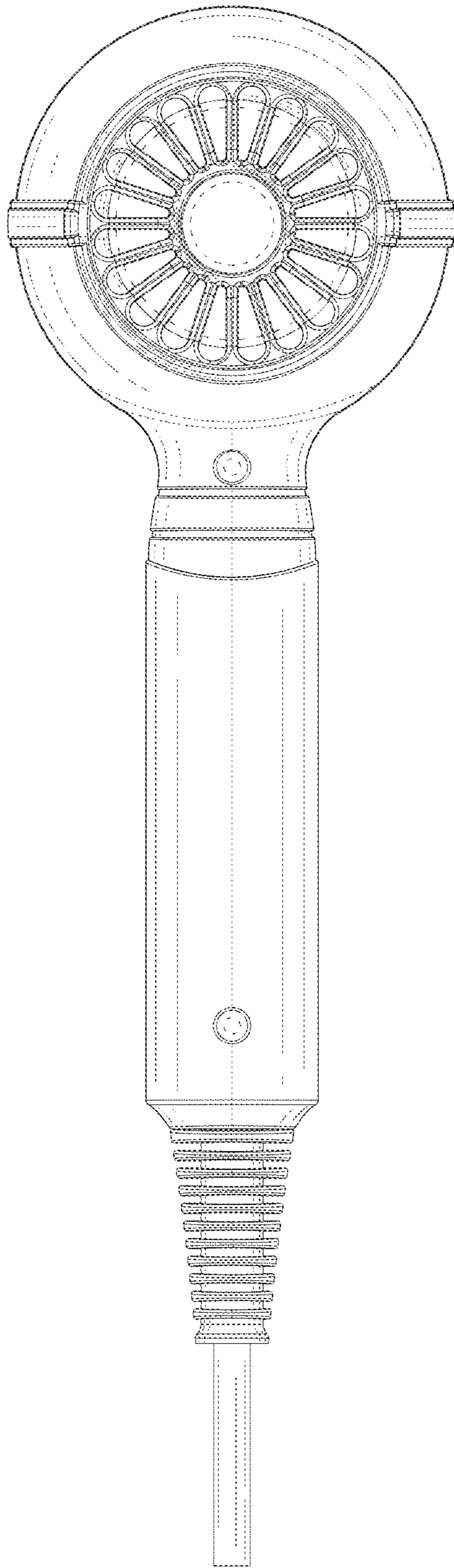


FIG. 6



FIG. 7

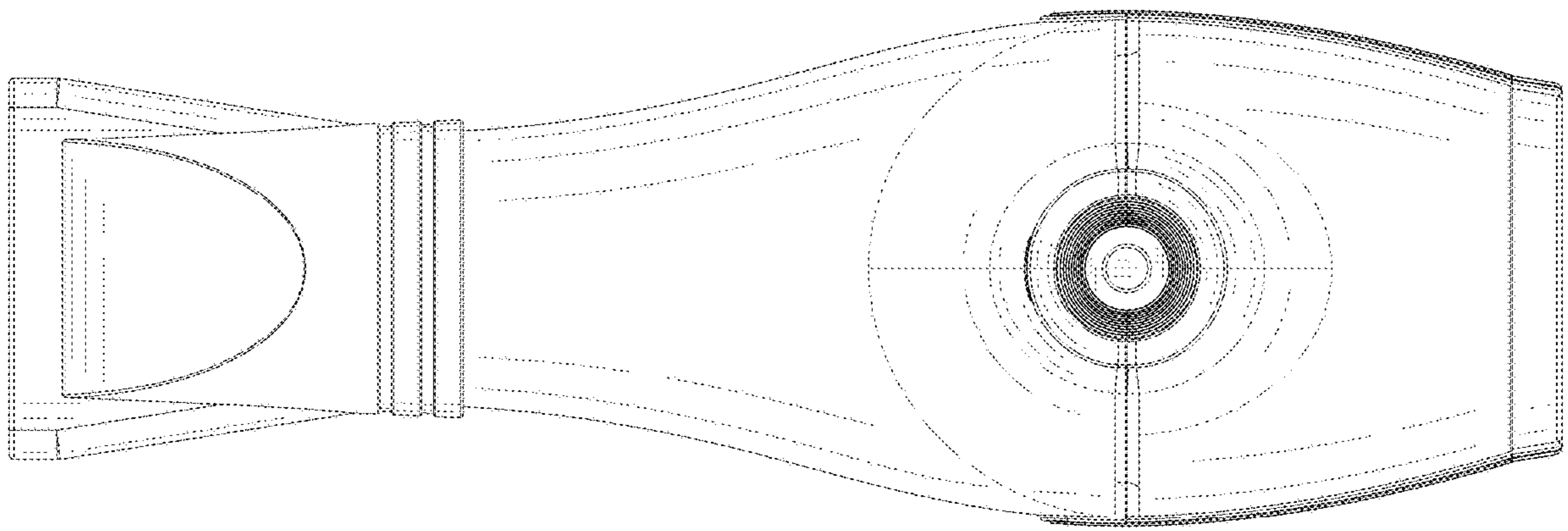


FIG. 8