



US00D914963S

(12) **United States Design Patent** (10) **Patent No.:** **US D914,963 S**
Kashani et al. (45) **Date of Patent:** **** Mar. 30, 2021**

(54) **ELECTRONIC CIGARETTE COVER**

(71) Applicants: **Moshe Kashani**, Los Angeles, CA
(US); **Kevin Ahdoot**, Los Angeles, CA
(US)

(72) Inventors: **Moshe Kashani**, Los Angeles, CA
(US); **Kevin Ahdoot**, Los Angeles, CA
(US)

(**) Term: **15 Years**

(21) Appl. No.: **29/647,137**

(22) Filed: **May 10, 2018**

(51) **LOC (13) Cl.** **27-04**

(52) **U.S. Cl.**
USPC **D27/194**

(58) **Field of Classification Search**
USPC D27/100, 101, 162, 163–169, 172–193,
D27/194; D23/355, 356, 359, 360;
D13/107; D25/66, 118, 156; D6/675,
D6/681; D14/440

CPC A24F 12/12; A24F 21/00; A24F 47/008;
A24F 40/10; A24F 47/002; A24F 15/12;
A24F 47/006; A24F 40/00; A24F 213/02

See application file for complete search history.

(56) **References Cited**

U.S. PATENT DOCUMENTS

D820,515 S *	6/2018	Nettenstrom	D27/167
D824,096 S *	7/2018	Qiu	D27/167
D838,899 S *	1/2019	Qiu	D27/167
D842,536 S *	3/2019	Bowen	D27/167
D844,226 S *	3/2019	Fornarelli	D27/162
D844,235 S *	3/2019	Cividi	D27/167
D849,996 S *	5/2019	Duque	D27/194
D858,868 S *	9/2019	Bowen	D27/162
D858,870 S *	9/2019	Bowen	D27/162
D860,517 S *	9/2019	Qiu	D27/101
D864,475 S *	10/2019	Pierce	D27/162
D865,279 S *	10/2019	Pino	D27/172
D868,368 S *	11/2019	Franzone	D27/167

D869,087 S *	12/2019	Franzone	D27/167
D870,368 S *	12/2019	Leon Duque	D27/162
D870,373 S *	12/2019	Greenbaum	D27/169
D870,374 S *	12/2019	Greenbaum	D27/169
D871,669 S *	12/2019	Lee	D27/194
D875,302 S *	2/2020	Pan	D27/162
D875,303 S *	2/2020	Pan	D27/162
D875,305 S *	2/2020	Lai	D27/167
D875,306 S *	2/2020	Pan	D27/167
D880,054 S *	3/2020	Barbaric	D27/162
D880,060 S *	3/2020	Chen	D27/194
D881,460 S *	4/2020	Han	D27/162
D882,865 S *	4/2020	Fornarelli	D27/162
D888,329 S *	6/2020	Qiu	D27/167

(Continued)

OTHER PUBLICATIONS

Silicone Juul Mouthpiece. by TiDiDi. earliest review dated Mar. 11, 2019. found online [Oct. 31, 2020] https://www.amazon.com/Silicone-Mouthpiece-Filter-Random-Device/product-reviews/B07MS9CB5J/ref=cm_cr_getr_d_paging_btm_next_2?ie=UTF8&reviewerType=all_reviews&sortBy=recent&pageNumber=2.*

(Continued)

Primary Examiner — Marissa J Cash
(74) *Attorney, Agent, or Firm* — Kafantaris Law Offices;
Theo Kafantaris

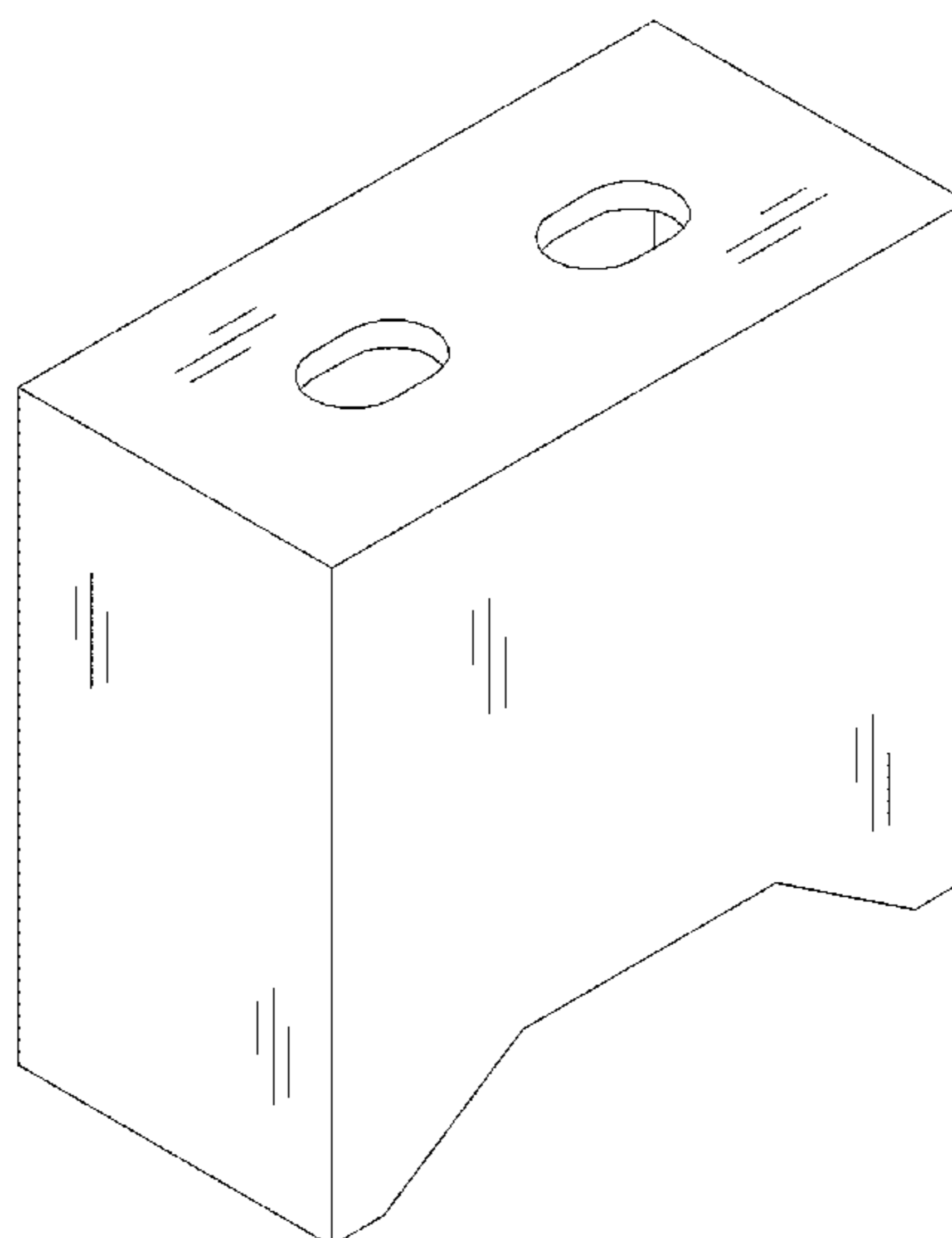
(57) **CLAIM**

The ornamental design for an electronic cigarette cover, as shown and described.

DESCRIPTION

FIG. 1 is a top perspective view of the electronic cigarette cover showing my new design;
FIG. 2 is a front elevational view thereof;
FIG. 3 is a side elevational view thereof;
FIG. 4 is a top plan view thereof;
FIG. 5 is a bottom plan view thereof; and,
FIG. 6 is a bottom perspective view thereof.

1 Claim, 4 Drawing Sheets



(56)

References Cited

U.S. PATENT DOCUMENTS

D891,691 S * 7/2020 Chen D27/162
D893,096 S * 8/2020 Leon Duque D27/194
2019/0159519 A1* 5/2019 Bowen A24F 40/53
2019/0380388 A1* 12/2019 Amorde A24F 47/008

OTHER PUBLICATIONS

Juul pod. by 1400forLife. dated Apr. 10, 2018. found online [Oct. 31, 2020] <https://imgur.com/gallery/SeT87>.*

How to refill vape pods. by Lee Johnson. dated Dec. 4, 2018. found online [Oct. 31, 2020] <https://ecigaretterevuewed.com/how-to-refill-vape-pods/>.*

* cited by examiner

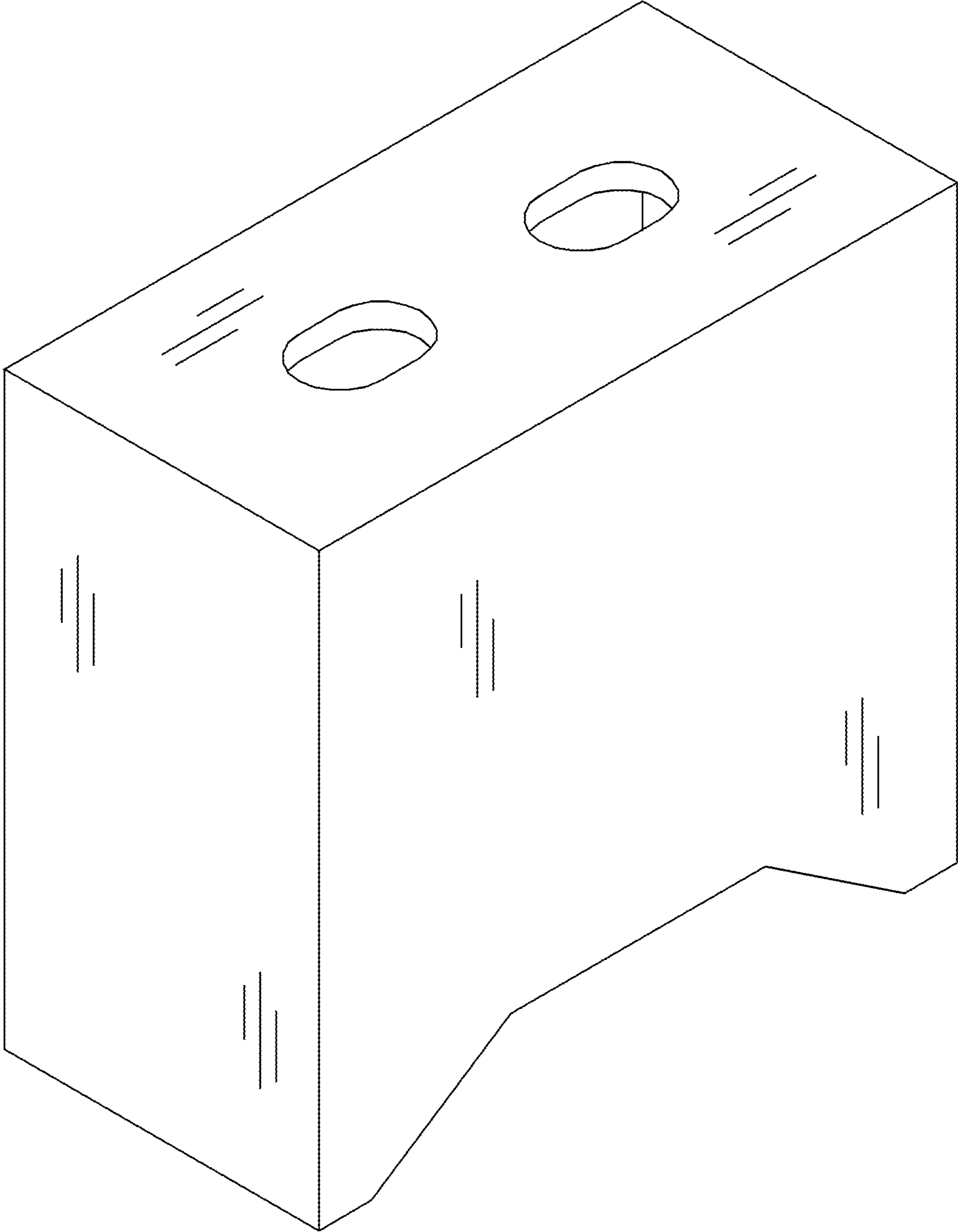


FIG. 1

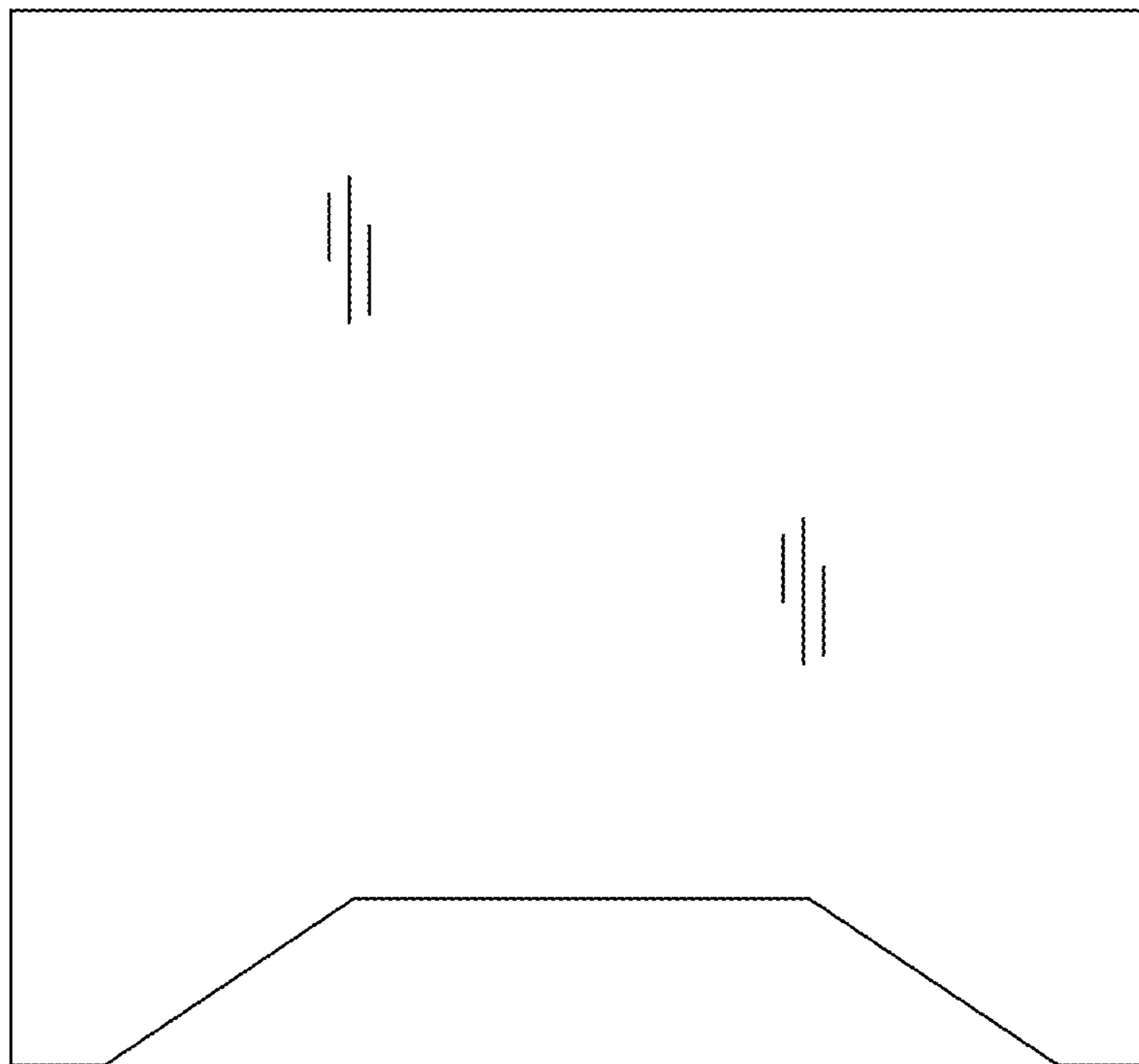


FIG. 2

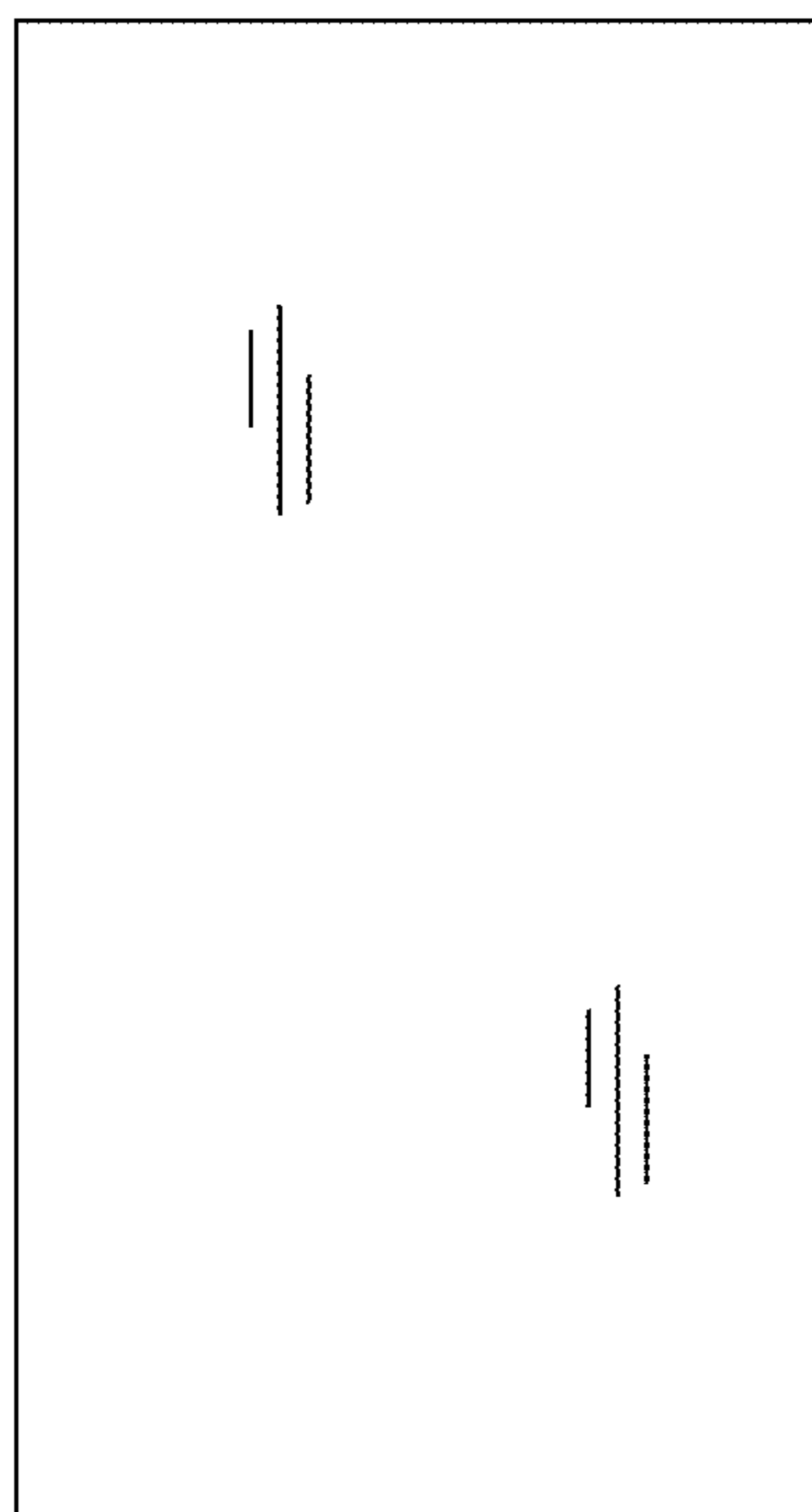


FIG. 3

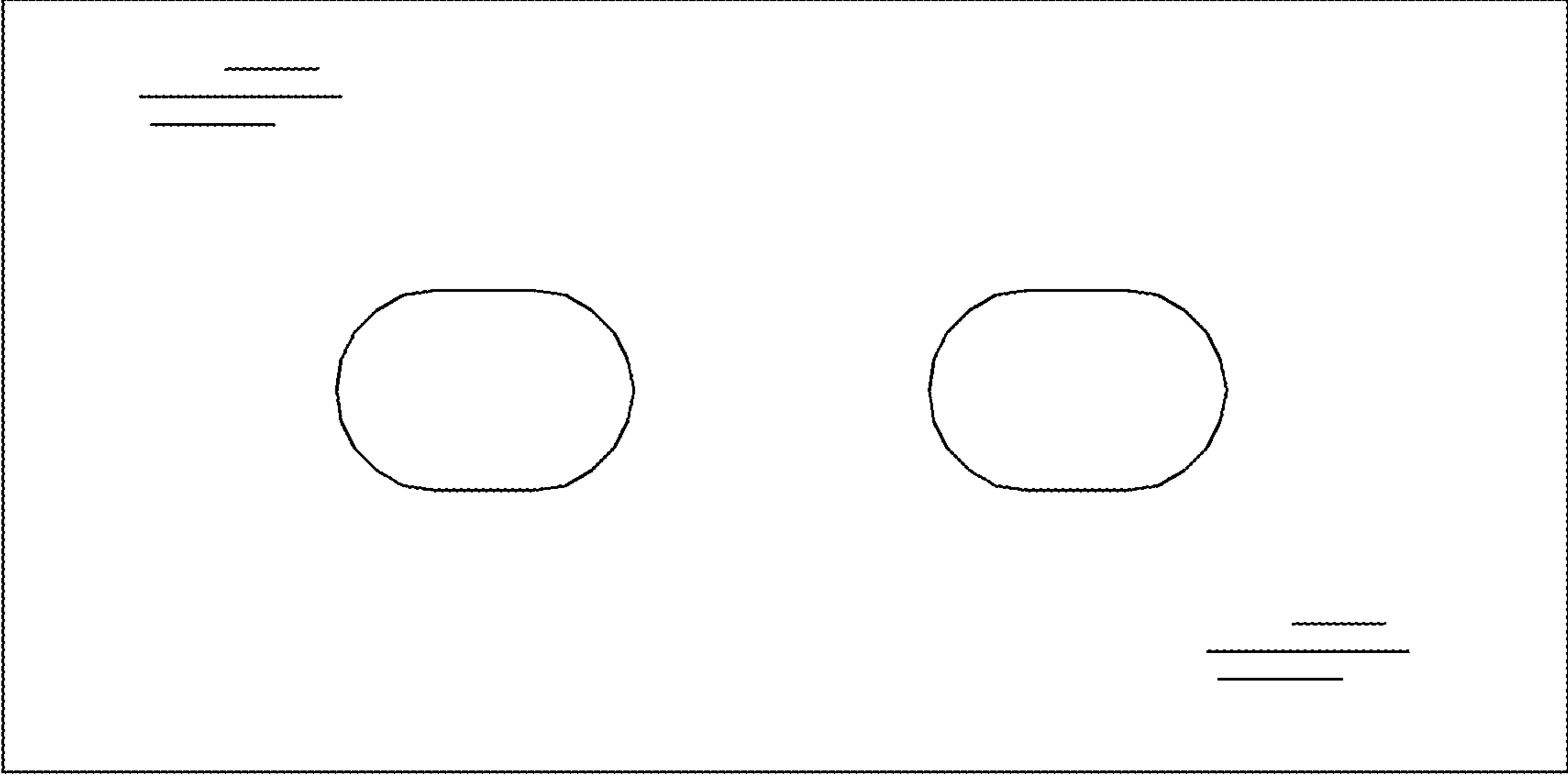


FIG. 4

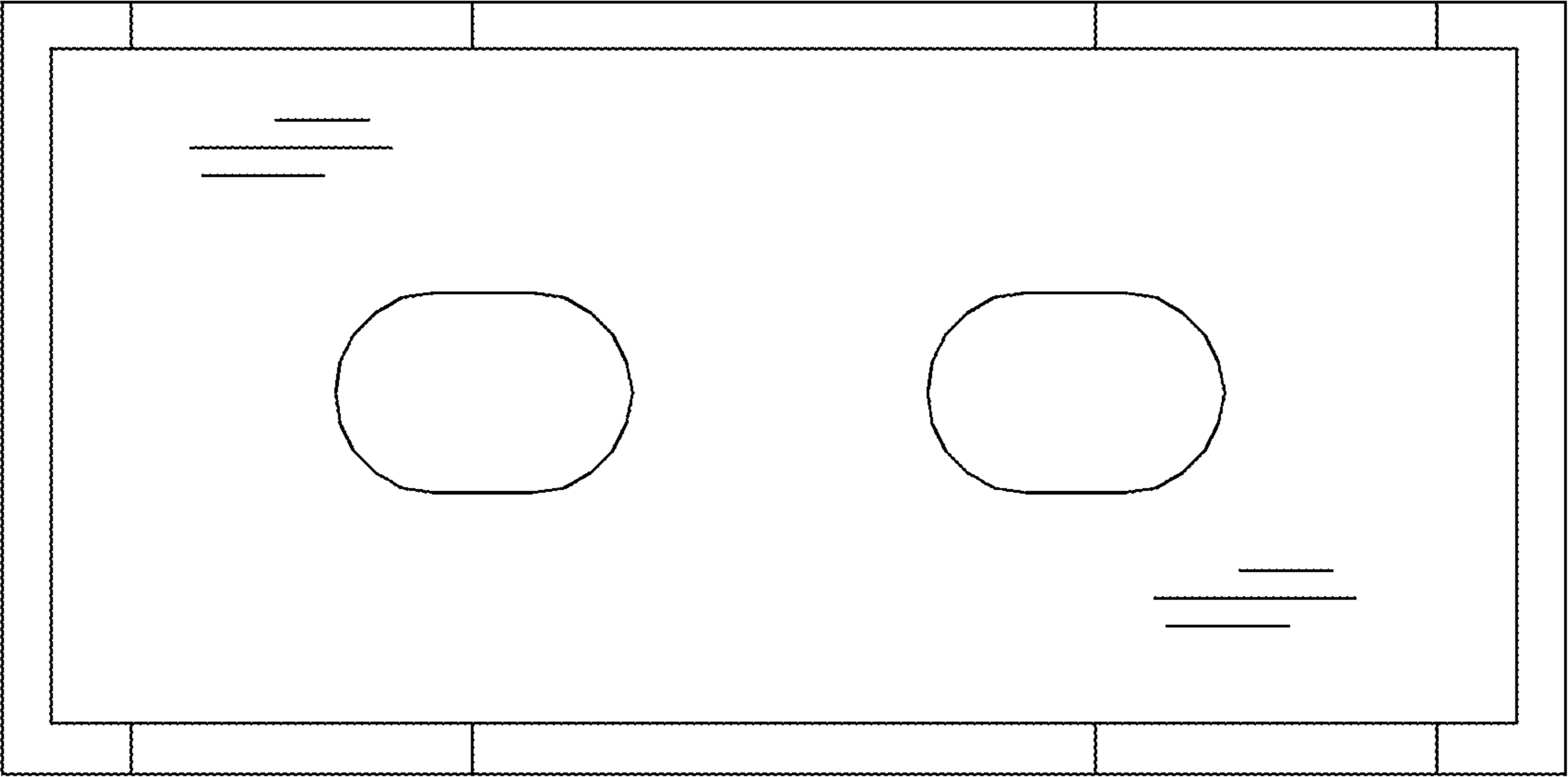


FIG. 5

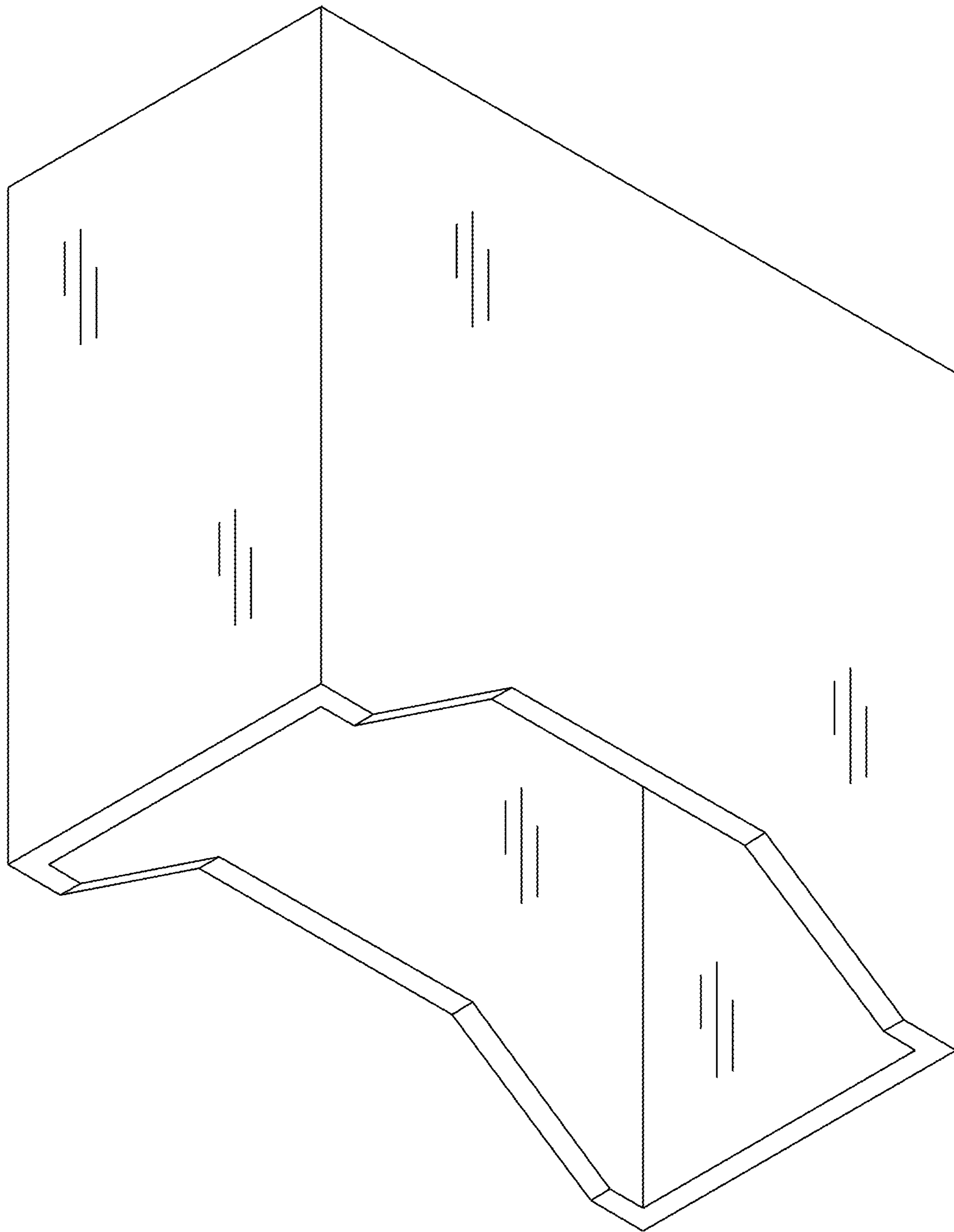


FIG. 6