



US00D914962S

(12) **United States Design Patent**
Slate et al.

(10) **Patent No.:** **US D914,962 S**
(45) **Date of Patent:** **** Mar. 30, 2021**

- (54) **HUMIDIFICATION TRAY**
- (71) Applicants: **Michael Slate**, Indianapolis, IN (US);
Ian Winston Scott Bennett,
Indianapolis, IN (US)
- (72) Inventors: **Michael Slate**, Indianapolis, IN (US);
Ian Winston Scott Bennett,
Indianapolis, IN (US)
- (**) Term: **15 Years**
- (21) Appl. No.: **29/699,700**
- (22) Filed: **Jul. 29, 2019**
- (51) **LOC (13) Cl.** **27-99**
- (52) **U.S. Cl.**
USPC **D27/193**
- (58) **Field of Classification Search**
USPC D27/127, 125, 172, 174, 186-188, 192,
D27/194; D24/227, 226, 229; D23/358
CPC . A24F 25/02; A24F 25/00; A24B 3/04; A24B
3/02; A24B 3/12; A24B 3/00
See application file for complete search history.

- D371,444 S * 7/1996 Madjar D24/217
- D400,299 S * 10/1998 Feldman D27/186
- D568,533 S * 5/2008 Bagaric D27/186
- D736,404 S * 8/2015 Priebe D24/229
- D767,163 S * 9/2016 Schimmel D24/226
- 9,689,626 B2 * 6/2017 Van Heeswijk F24F 5/0035
- D800,337 S * 10/2017 Daines D24/227
- D801,546 S * 10/2017 Johansson D24/229

* cited by examiner

Primary Examiner — Marissa J Cash
Assistant Examiner — Rebecca Tsehaye

(57) **CLAIM**

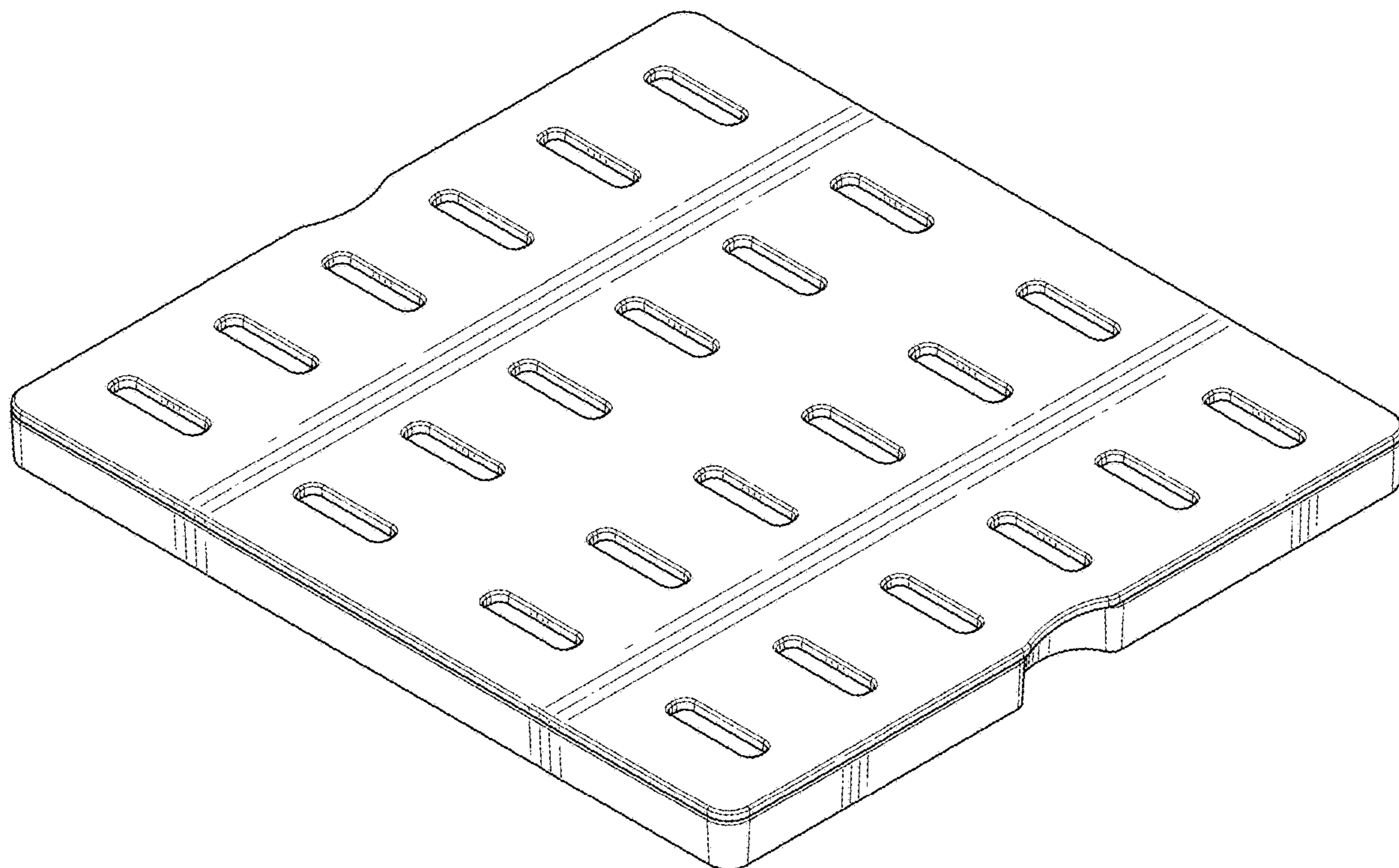
The ornamental design for a humidification tray, as shown and described.

DESCRIPTION

FIG. 1 is a front perspective view of a humidification tray illustrating our new design;
 FIG. 2 is a front view thereof;
 FIG. 3 is a rear view thereof;
 FIG. 4 is a left side view thereof;
 FIG. 5 is a right side view thereof;
 FIG. 6 is a top view thereof;
 FIG. 7 is a bottom view thereof; and,
 FIG. 8 is an exploded view of the humidification tray of FIG. 1.
 The broken lines in the drawings depict portions of the humidification tray that form no part of the claimed design.

1 Claim, 8 Drawing Sheets

- (56) **References Cited**
U.S. PATENT DOCUMENTS
D157,115 S * 1/1950 Zumpe D3/203.3
D253,071 S * 10/1979 Montez D24/181



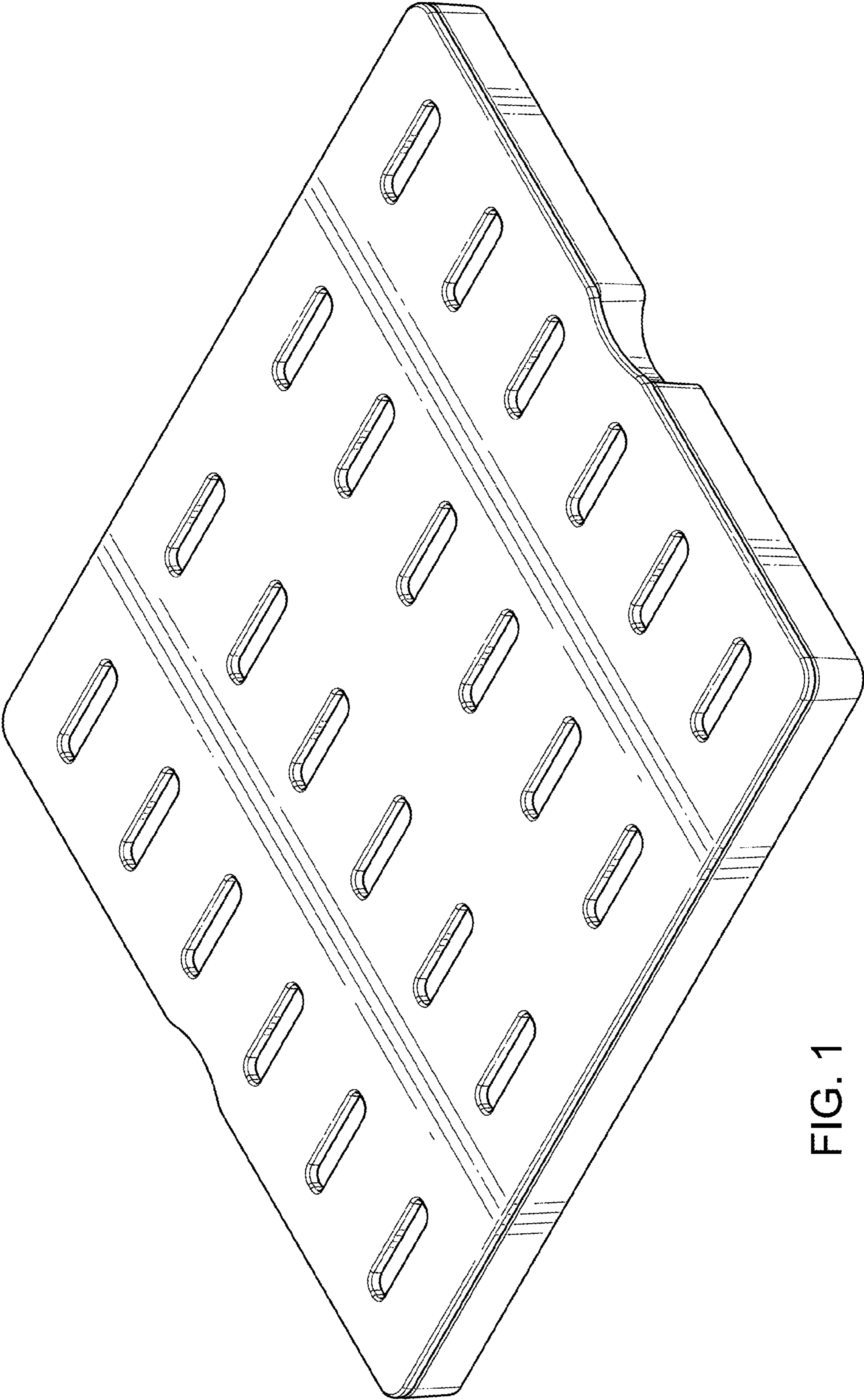


FIG. 1



FIG. 2



FIG. 3

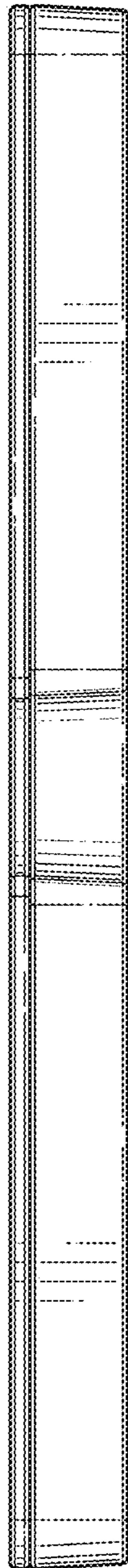


FIG. 4

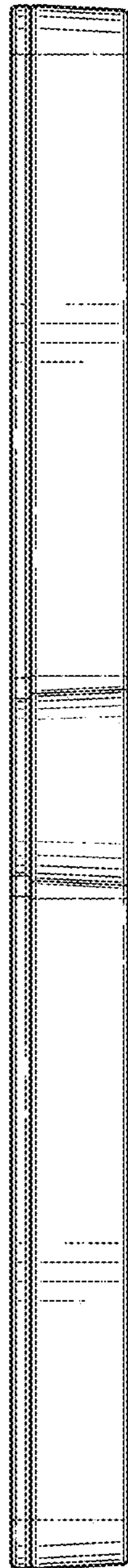


FIG. 5

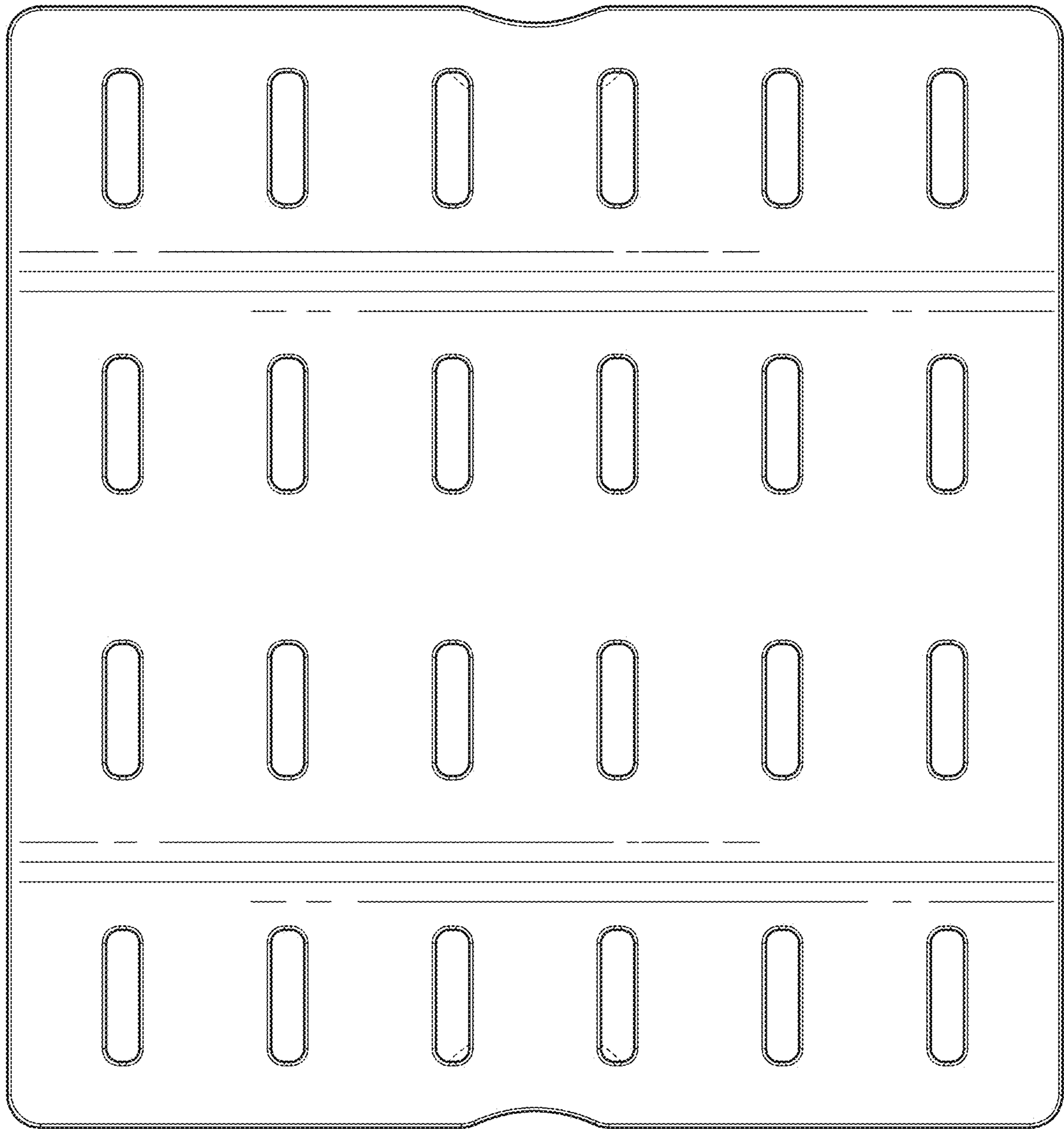
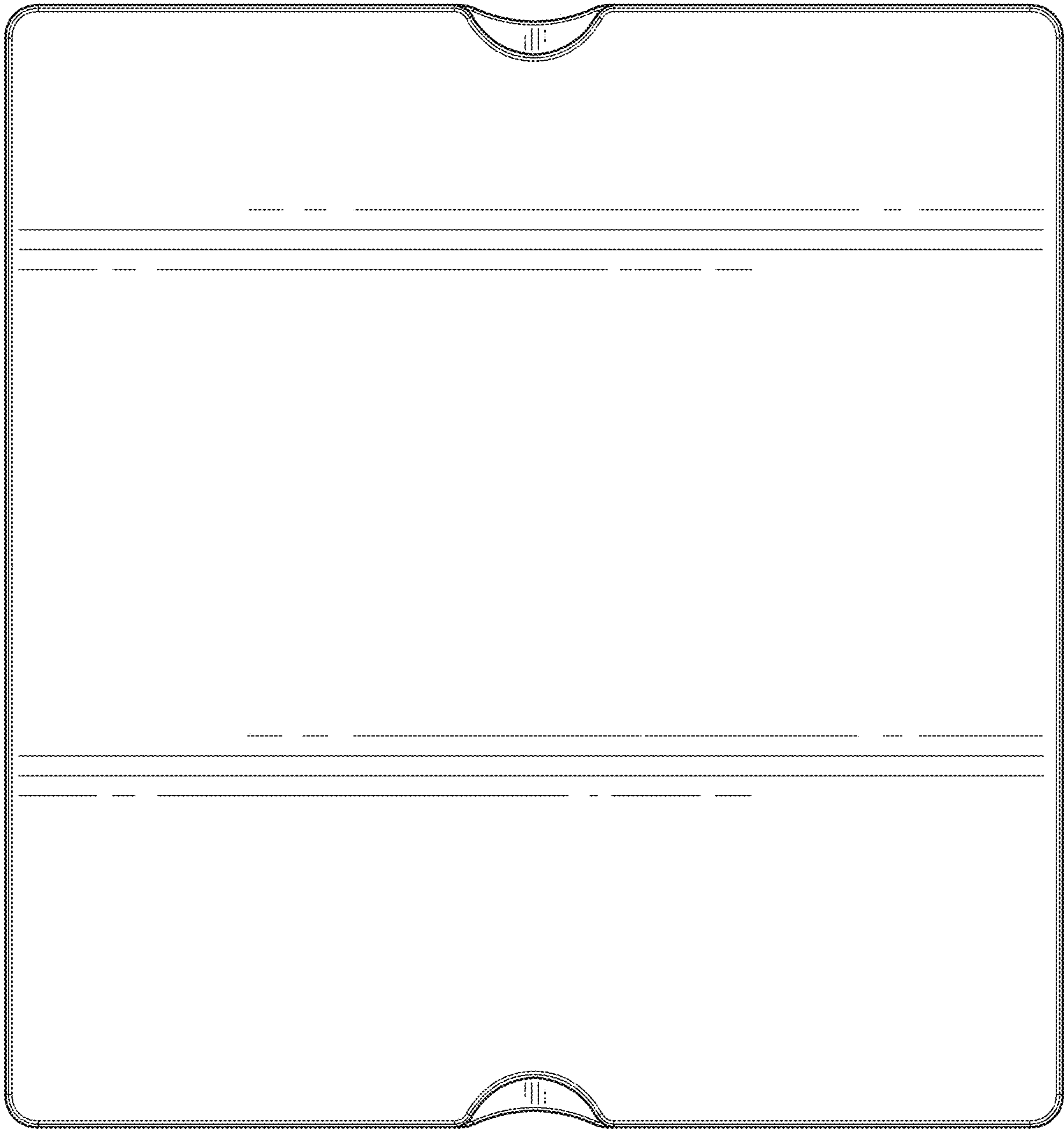


FIG. 6

FIG. 7



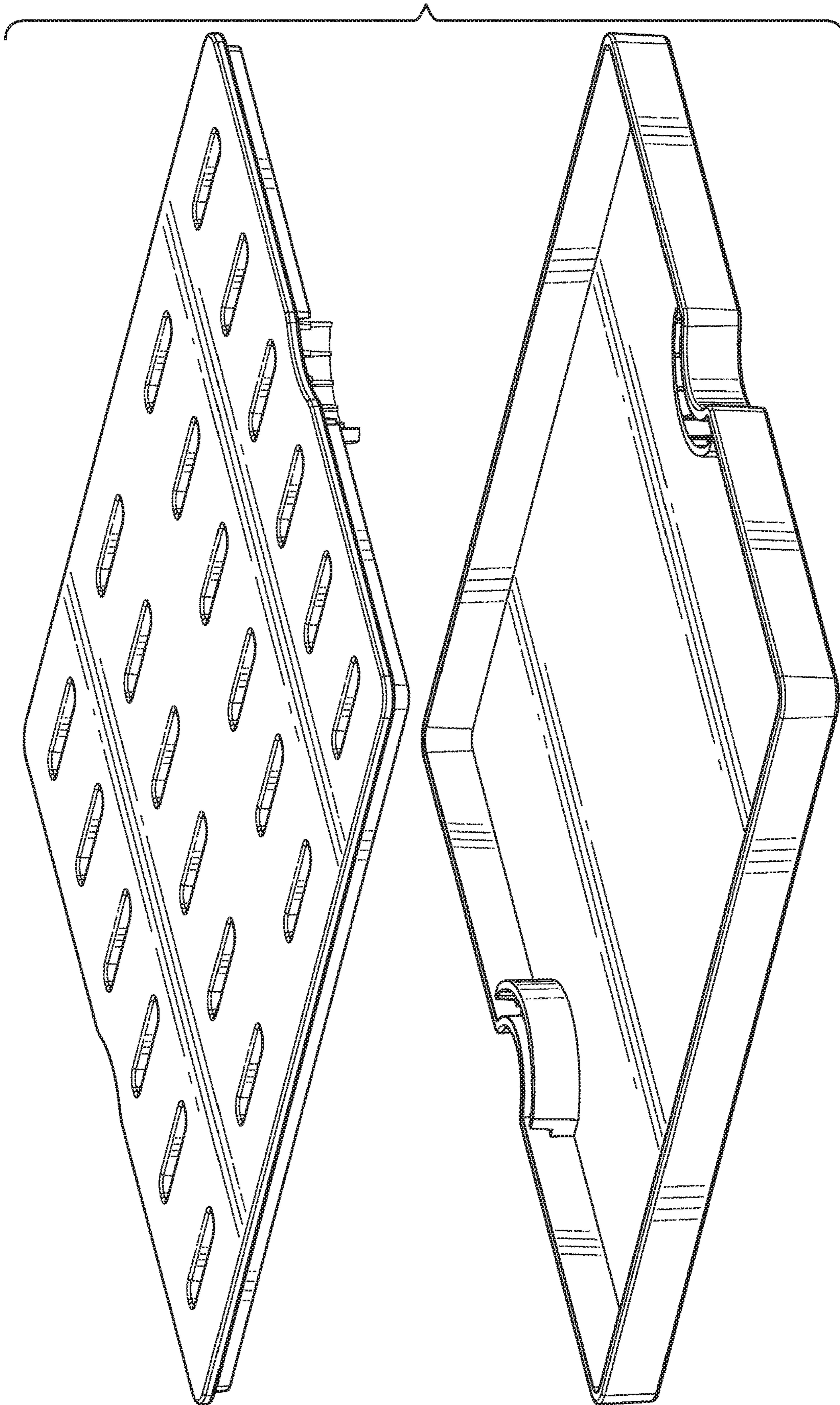


FIG. 8