



US00D914961S

(12) **United States Design Patent** (10) **Patent No.:** **US D914,961 S**
Li (45) **Date of Patent:** **** Mar. 30, 2021**

(54) **WATER PIPE**
(71) Applicant: **Zilong Li, Jiangxi (CN)**
(72) Inventor: **Zilong Li, Jiangxi (CN)**
(**) Term: **15 Years**
(21) Appl. No.: **29/749,897**
(22) Filed: **Sep. 10, 2020**
(51) **LOC (13) Cl.** **27-02**
(52) **U.S. Cl.**
USPC **D27/162**
(58) **Field of Classification Search**
USPC D27/100, 101, 162-170, 194; D24/110;
D23/366
CPC A24F 1/30; A24F 47/008; A61M 15/06
See application file for complete search history.

D539,978 S * 4/2007 Kassir D27/162
D554,797 S * 11/2007 Kassir D27/162
D558,919 S * 1/2008 Kassir D27/162
D561,388 S * 2/2008 Kassir D27/162
D584,853 S * 1/2009 Kassir D27/162
7,861,900 B2 * 1/2011 Ryan B65D 25/24
222/482
D632,425 S * 2/2011 Badawi D27/162
D634,064 S * 3/2011 Sweitzer D27/162
D638,984 S * 5/2011 Gould D27/163
D642,733 S * 8/2011 Sweitzer D27/162
8,973,585 B2 * 3/2015 Goldstein B01D 47/021
131/173
D728,854 S * 5/2015 Siniakov D27/162
D803,375 S * 11/2017 Wu D23/366
9,848,639 B1 * 12/2017 Soares A24F 1/30
D806,945 S 1/2018 Lepper

(Continued)

Primary Examiner — Marissa J Cash
(74) *Attorney, Agent, or Firm* — ScienBiziP, P.C.

(56) **References Cited**

U.S. PATENT DOCUMENTS

D244,473 S * 5/1977 Karl D27/162
D246,391 S * 11/1977 Lefkow D27/162
D248,572 S * 7/1978 Graham D27/162
D261,690 S * 11/1981 Murray, Jr. D27/163
D262,144 S * 12/1981 Sher D27/162
D273,713 S * 5/1984 Sher D27/162
D342,805 S * 12/1993 Heine D27/162
D349,780 S * 8/1994 Heine D27/162
D351,253 S * 10/1994 Baig D27/162
D358,227 S * 5/1995 Heine D27/162
D358,228 S * 5/1995 Heine D27/162
D368,324 S * 3/1996 Heine D27/162
D368,325 S * 3/1996 Heine D27/162
D368,551 S * 4/1996 Richards D27/162
D381,116 S * 7/1997 Richards D27/162
D387,476 S * 12/1997 Chambers D27/162
D403,106 S * 12/1998 Barmes D27/162
RE36,523 E * 1/2000 Newman A24F 1/30
D27/162
D443,950 S * 6/2001 Neason D27/162

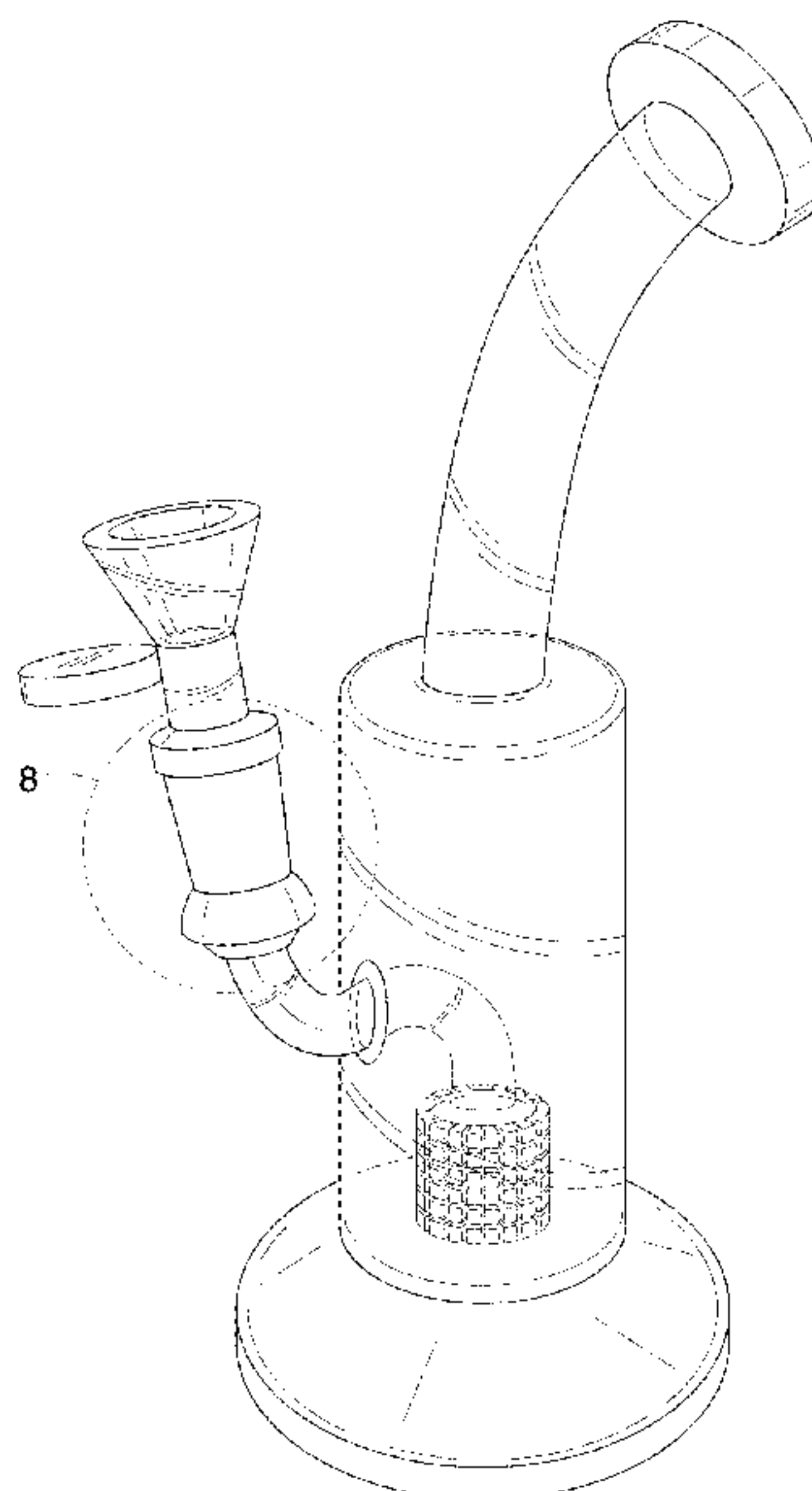
(57) **CLAIM**

The ornamental design for a water pipe, as shown and described.

DESCRIPTION

FIG. 1 is a right perspective view of a water pipe, showing my design.
FIG. 2 is a front elevation view thereof.
FIG. 3 is a rear elevation view thereof.
FIG. 4 is a right side elevation view thereof.
FIG. 5 is a left side elevation view thereof.
FIG. 6 is a top plan view thereof.
FIG. 7 is a bottom plan view thereof; and,
FIG. 8 is an enlarged view of an area labeled 8 in FIG. 1.
The broken lines shown in FIGS. 1 and 8 are for purposes of illustrating the enlarged view and are for annotative purposes only. The broken lines form no part of the claimed design.

1 Claim, 8 Drawing Sheets



(56)

References Cited

U.S. PATENT DOCUMENTS

D820,513	S *	6/2018	Camitta	D27/162
10,004,264	B2 *	6/2018	Rado	H05B 1/0244
D825,843	S *	8/2018	Hoch	D27/163
D838,410	S *	1/2019	Reimann	D27/162
D843,647	S *	3/2019	Camitta	D27/162
D844,227	S *	3/2019	Hoch	D27/162
D854,740	S *	7/2019	Opp	D27/162
D863,671	S *	10/2019	Reimann	D27/162
10,477,889	B2 *	11/2019	Goldstein	A24F 1/32
D874,717	S *	2/2020	Nhep	D27/162
D877,974	S *	3/2020	Tucci	
D883,462	S *	5/2020	Wei	D23/366
D893,697	S *	8/2020	Xiao	D23/366
10,743,580	B2 *	8/2020	Kane	A24F 47/008
D895,894	S *	9/2020	Bajpai	D27/194
10,820,626	B2 *	11/2020	Benjamignan	A24F 1/30
2014/0326256	A1 *	11/2014	McKay	A24F 1/30
					131/173
2017/0361040	A1 *	12/2017	Trzeciecki	A61M 11/042

* cited by examiner

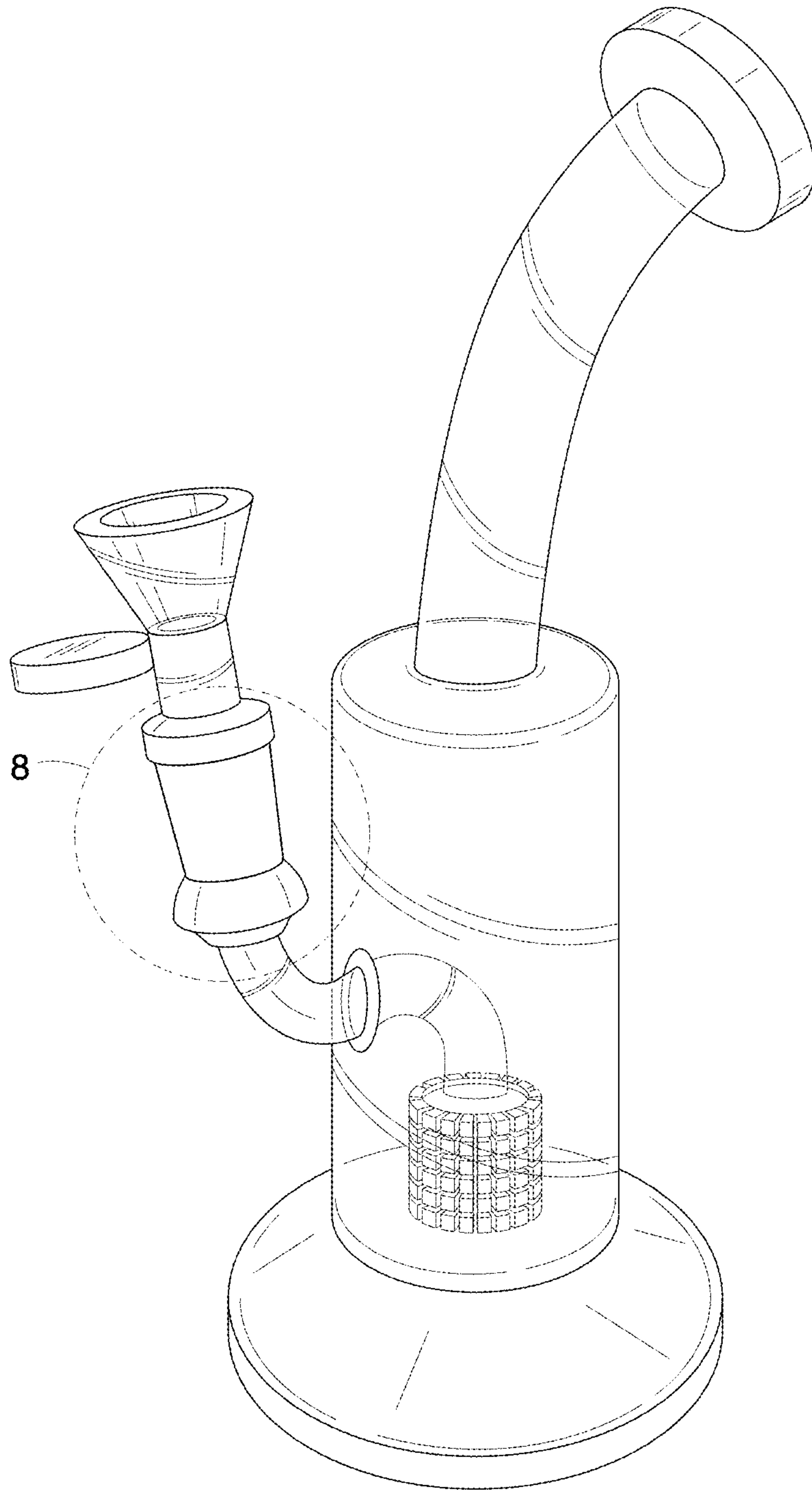


FIG. 1

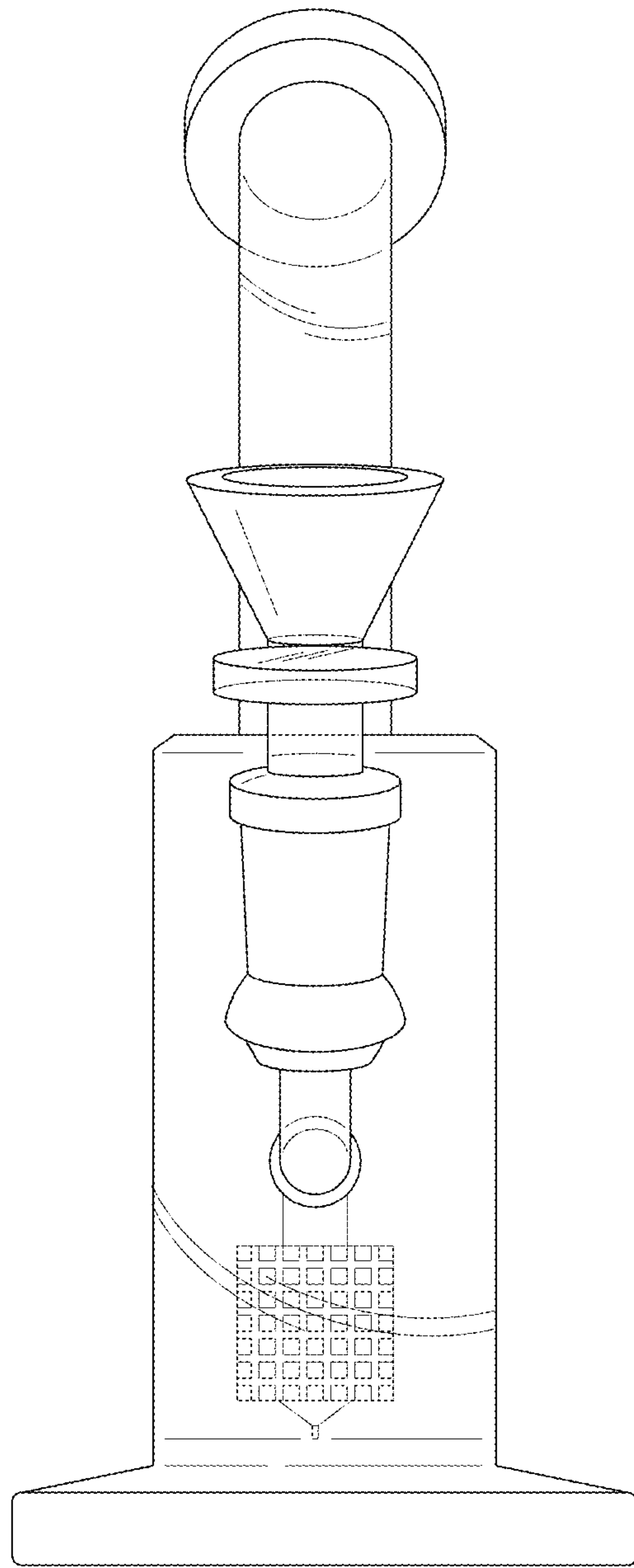


FIG.2

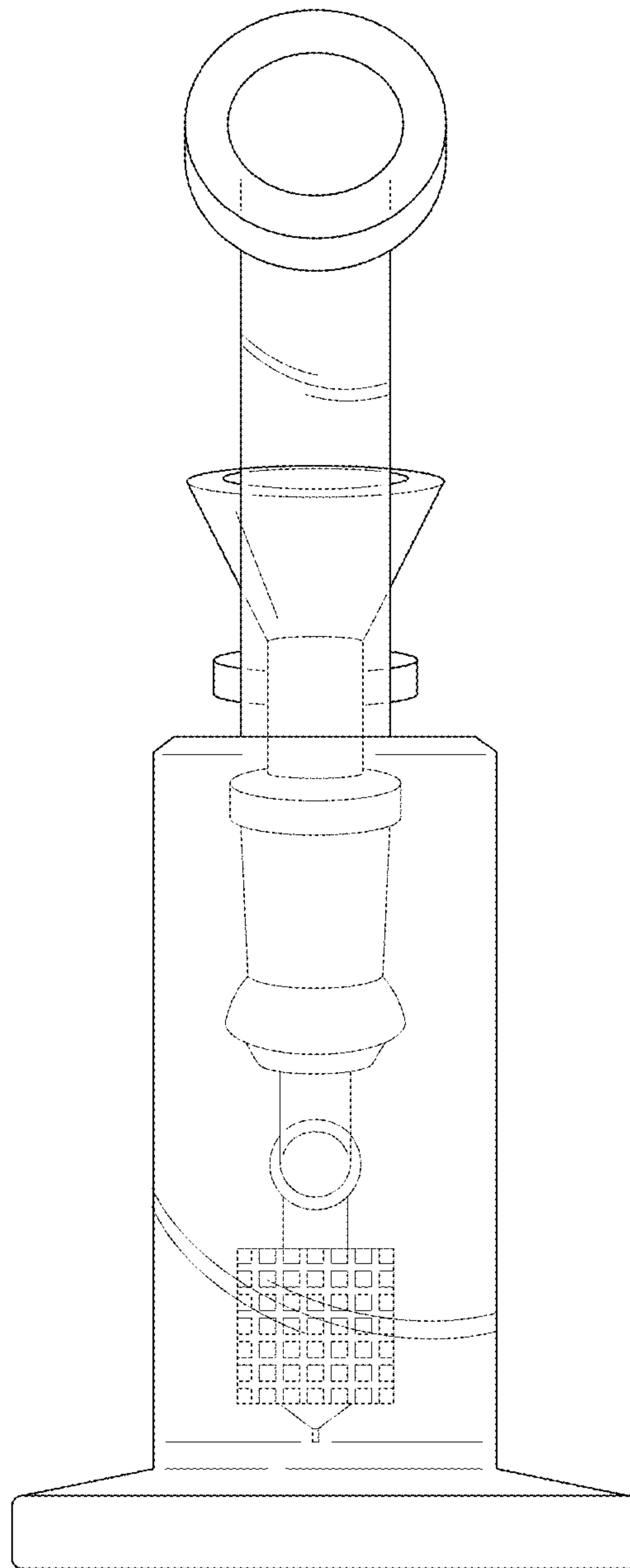


FIG.3

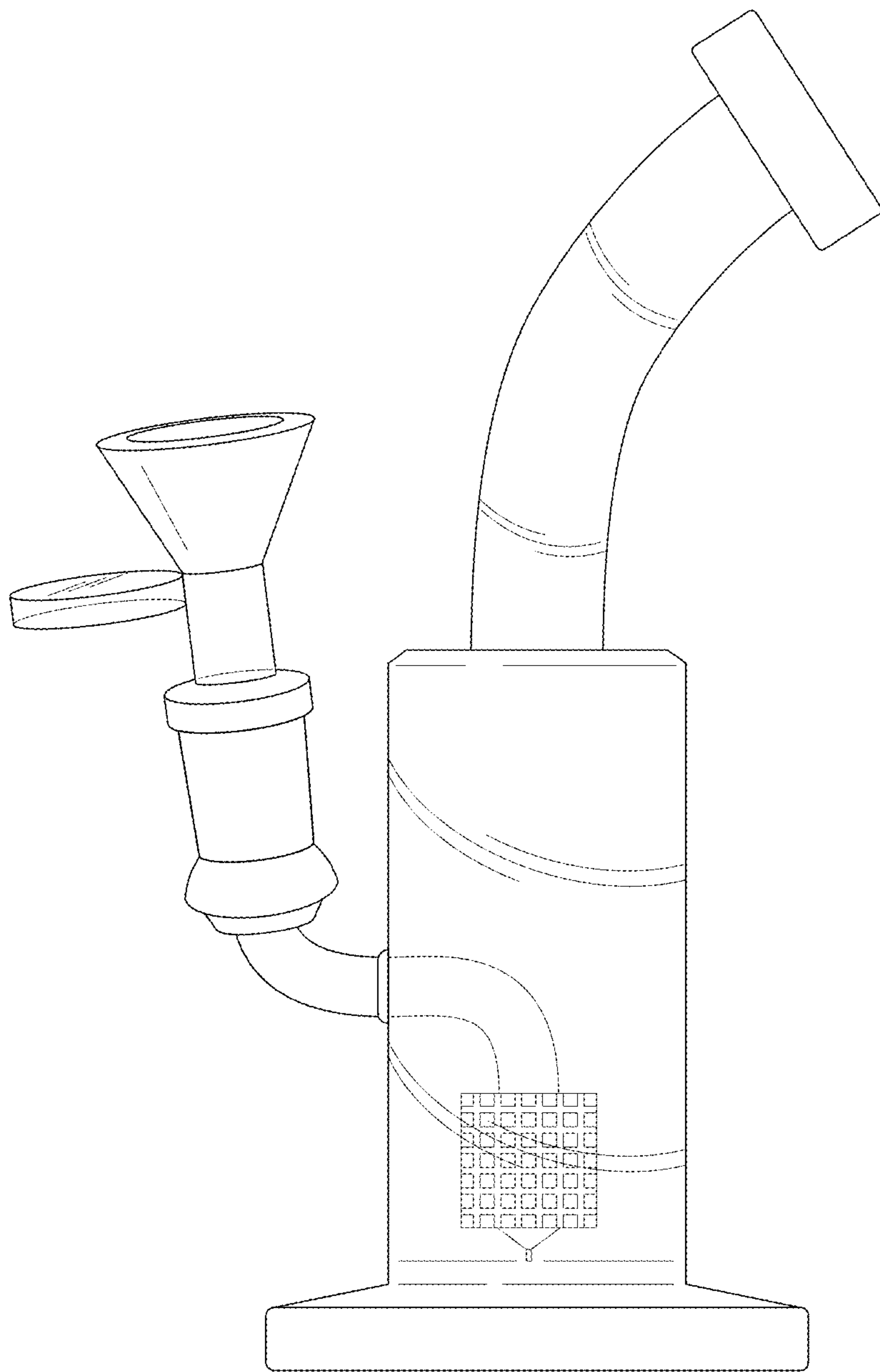


FIG.4

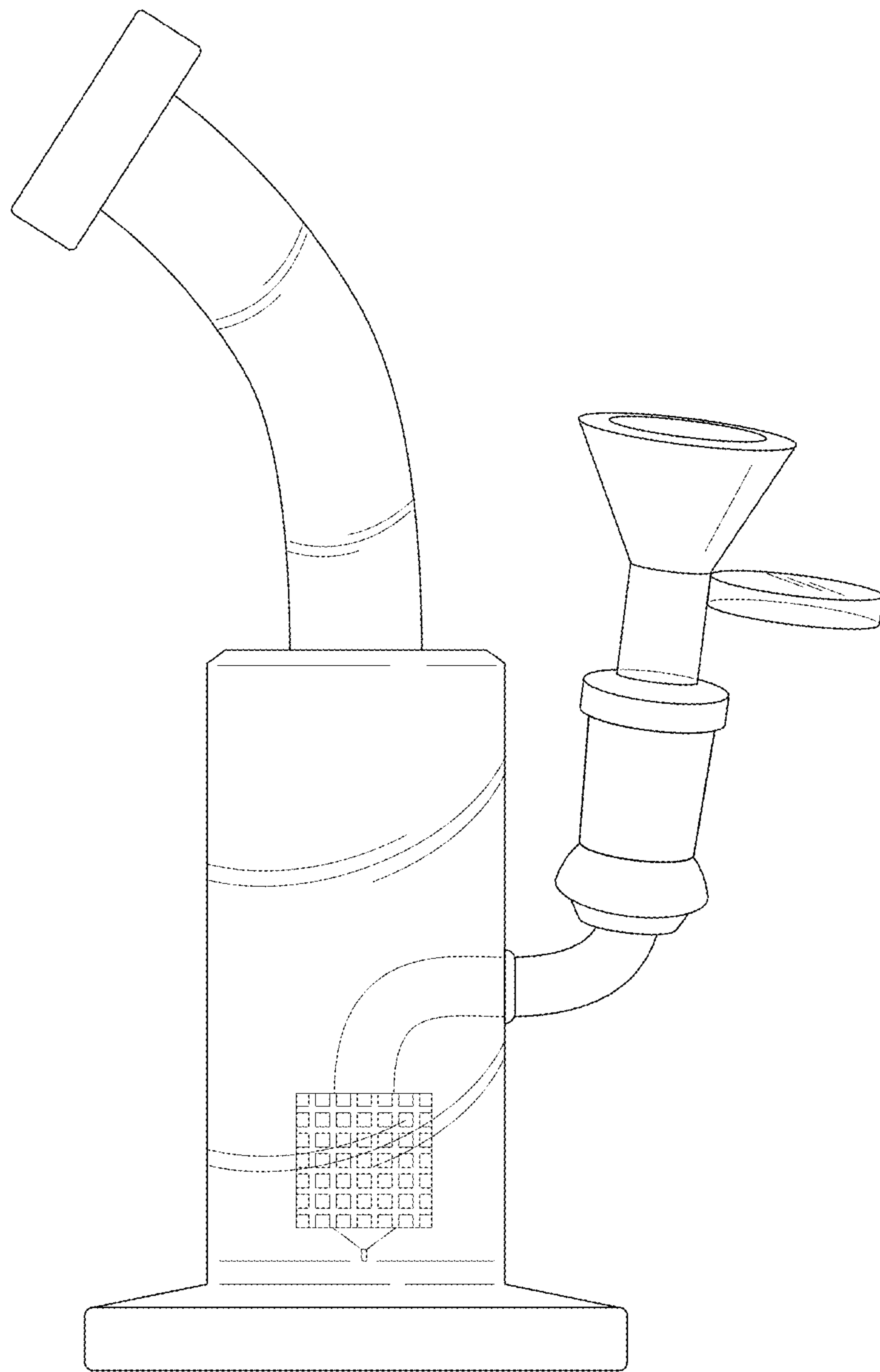


FIG.5

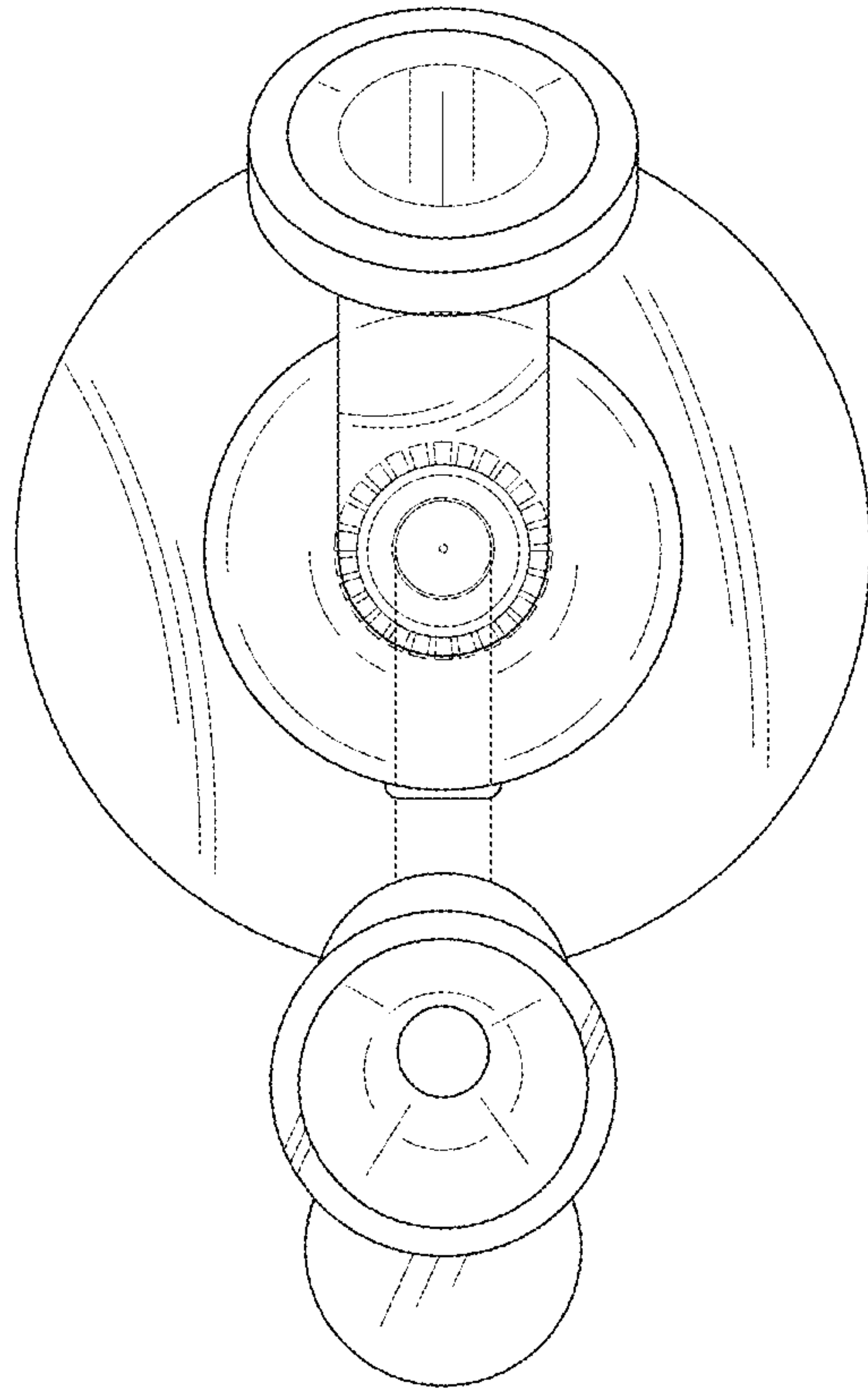


FIG.6

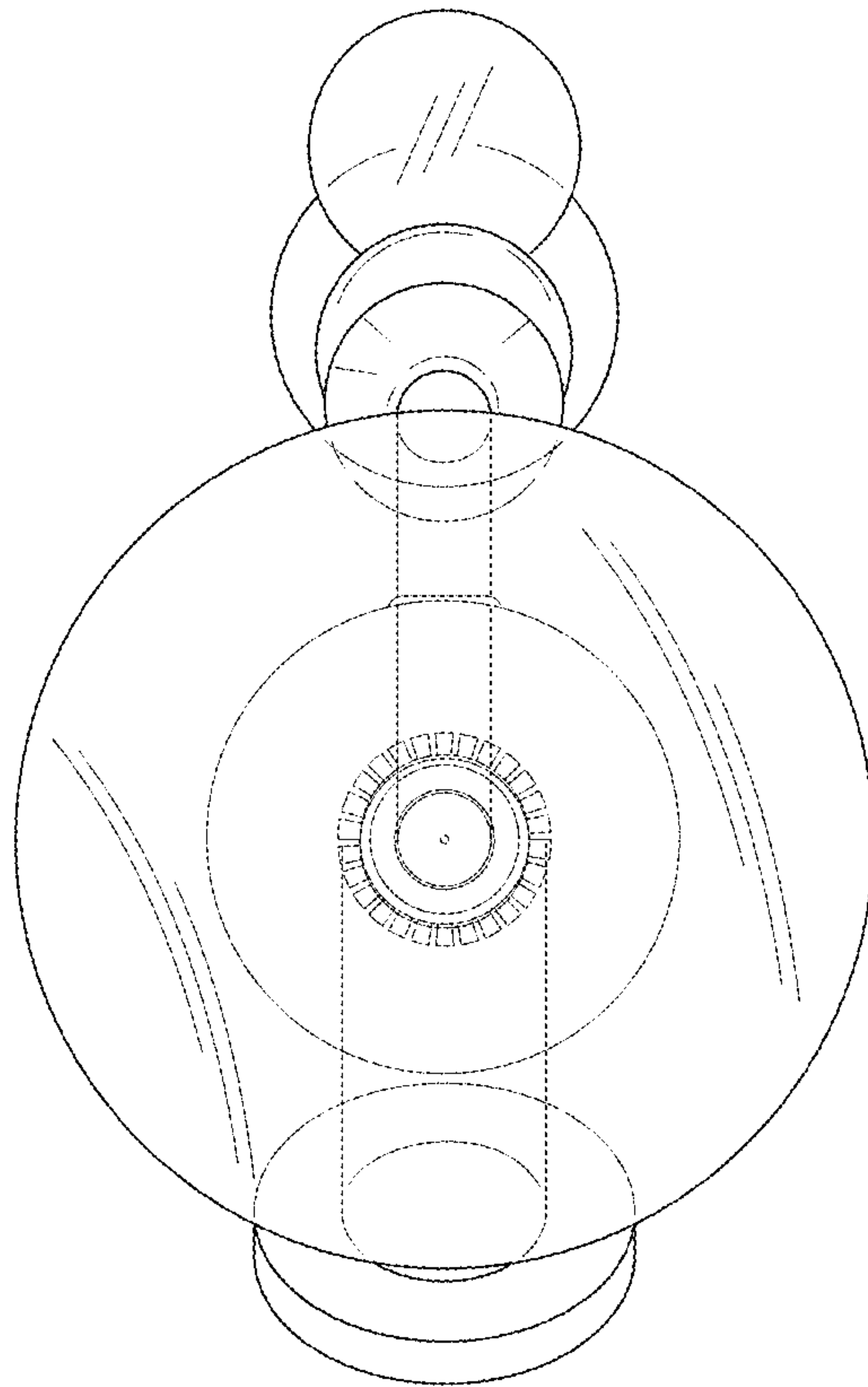


FIG.7

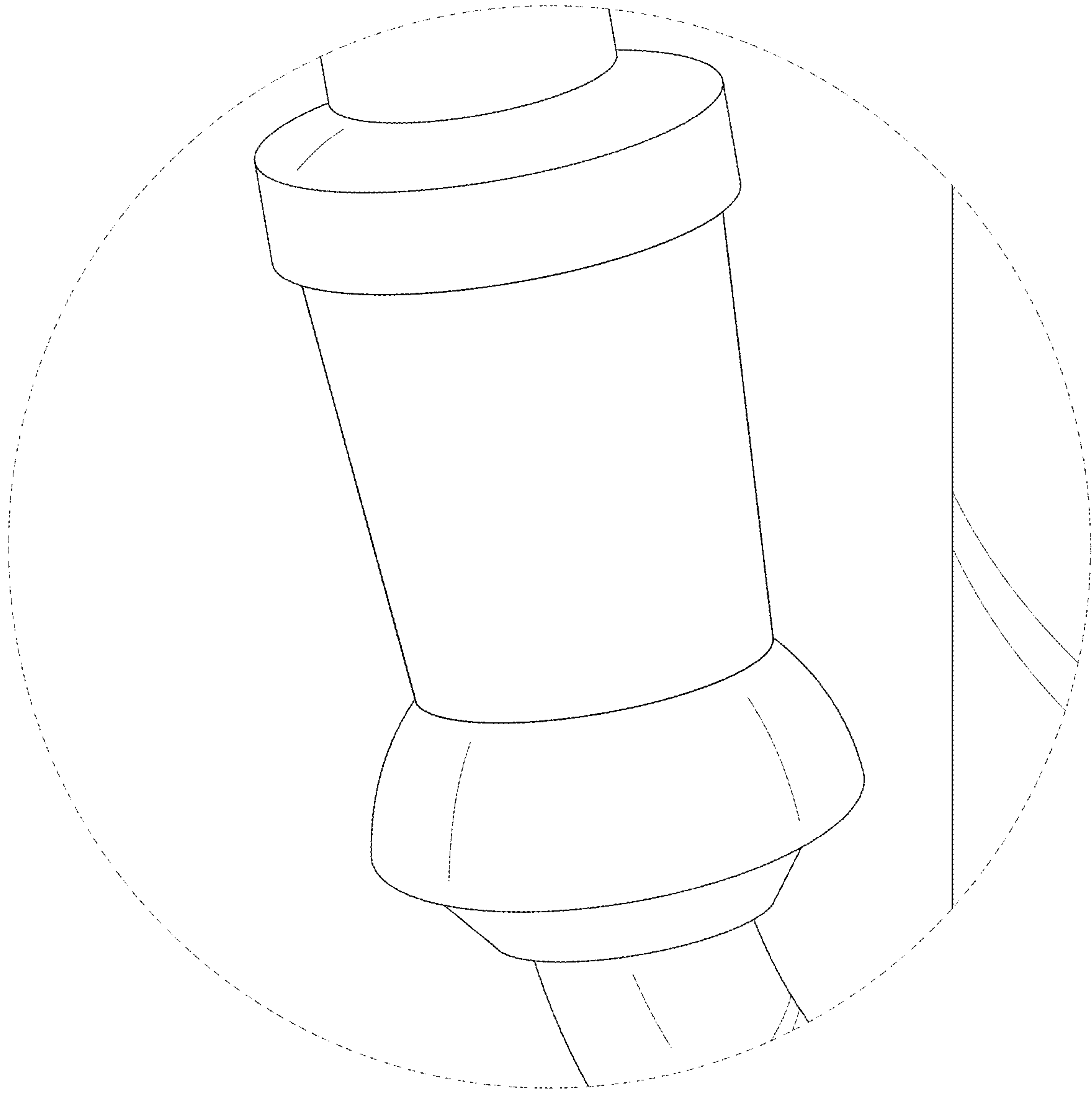


FIG.8