



US00D914958S

(12) **United States Design Patent**  
**Zheng**

(10) **Patent No.:** **US D914,958 S**

(45) **Date of Patent:** **\*\* Mar. 30, 2021**

(54) **MUSIC STAR LIGHT**

(71) Applicant: **SHENZHEN BOLONG TECHNOLOGY CO., LTD.**, Shenzhen (CN)

(72) Inventor: **Huazhu Zheng**, Shenzhen (CN)

(\*\*) Term: **15 Years**

(21) Appl. No.: **29/756,679**

(22) Filed: **Oct. 30, 2020**

(51) **LOC (13) Cl.** ..... **26-03**

(52) **U.S. Cl.**  
USPC ..... **D26/110**

(58) **Field of Classification Search**  
USPC ..... D26/93, 104, 106, 110, 112  
CPC ..... F21V 3/00; F21V 5/007; F21W 2121/00;  
F21W 2131/30; F21S 6/00; F21S 10/00;  
F21S 10/06

See application file for complete search history.

(56) **References Cited**

**U.S. PATENT DOCUMENTS**

D561,925 S \* 2/2008 Levine ..... D26/72  
D567,994 S \* 4/2008 Chan ..... D26/104  
D577,458 S \* 9/2008 Chan ..... D26/104  
D660,998 S 5/2012 Rehahn

D689,221 S \* 9/2013 Isaac ..... D26/24  
D714,485 S \* 9/2014 Johnson ..... D26/94  
D851,315 S 6/2019 Chen  
D861,966 S \* 10/2019 Wang ..... D26/110  
D885,643 S 5/2020 Chen  
D898,271 S \* 10/2020 Zheng ..... D26/110  
D900,376 S \* 10/2020 Wang ..... D26/104  
D901,747 S \* 11/2020 Lin ..... D26/94

\* cited by examiner

*Primary Examiner* — Brian N. Vinson  
(74) *Attorney, Agent, or Firm* — HYIP

(57) **CLAIM**

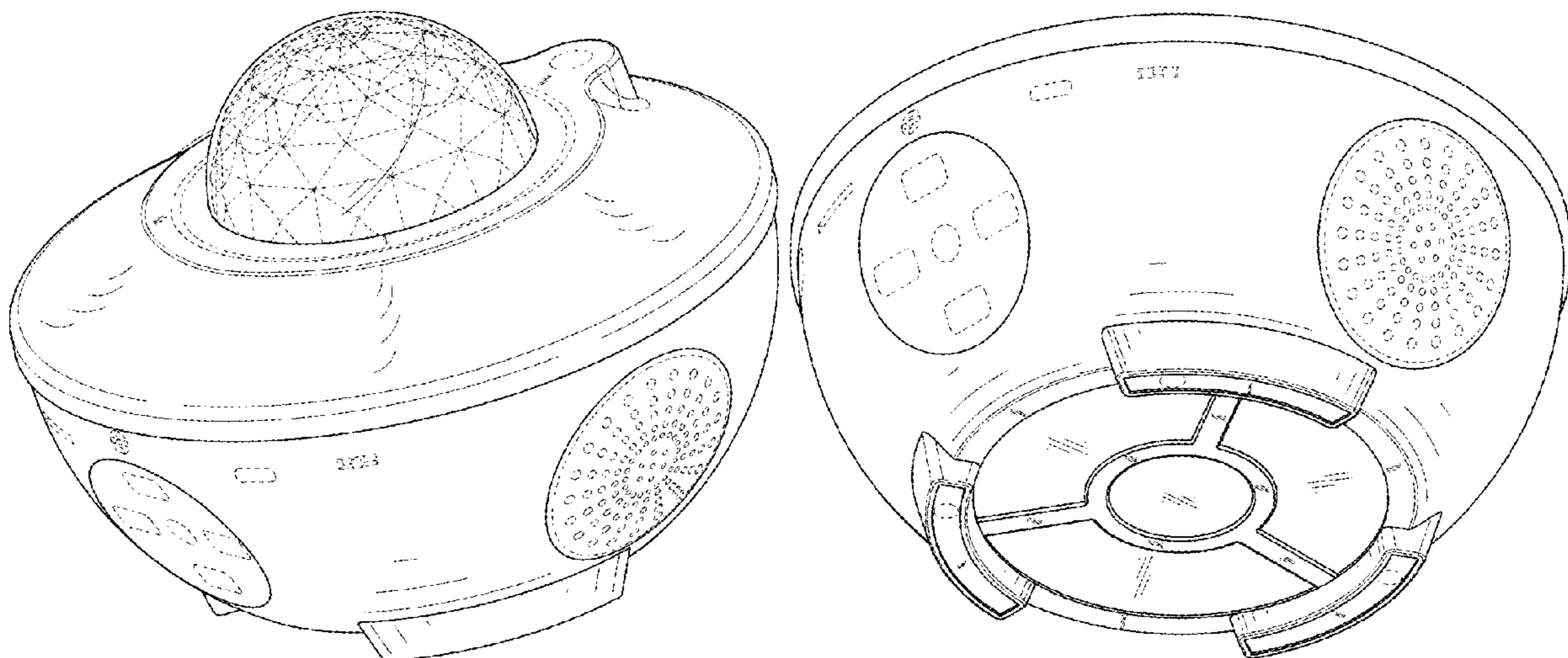
The ornamental design for a music star light, as shown and described.

**DESCRIPTION**

FIG. 1 is a first perspective view of a music star light showing my new design;  
FIG. 2 is a second perspective view thereof;  
FIG. 3 is a front view thereof;  
FIG. 4 is a back view thereof;  
FIG. 5 is a left side view thereof;  
FIG. 6 is a right side view thereof;  
FIG. 7 is a top view thereof; and,  
FIG. 8 is a bottom view thereof.

The broken lines shown in the drawings depict portions of the music star light in which the design is embodied that form no part of the claimed design.

**1 Claim, 8 Drawing Sheets**



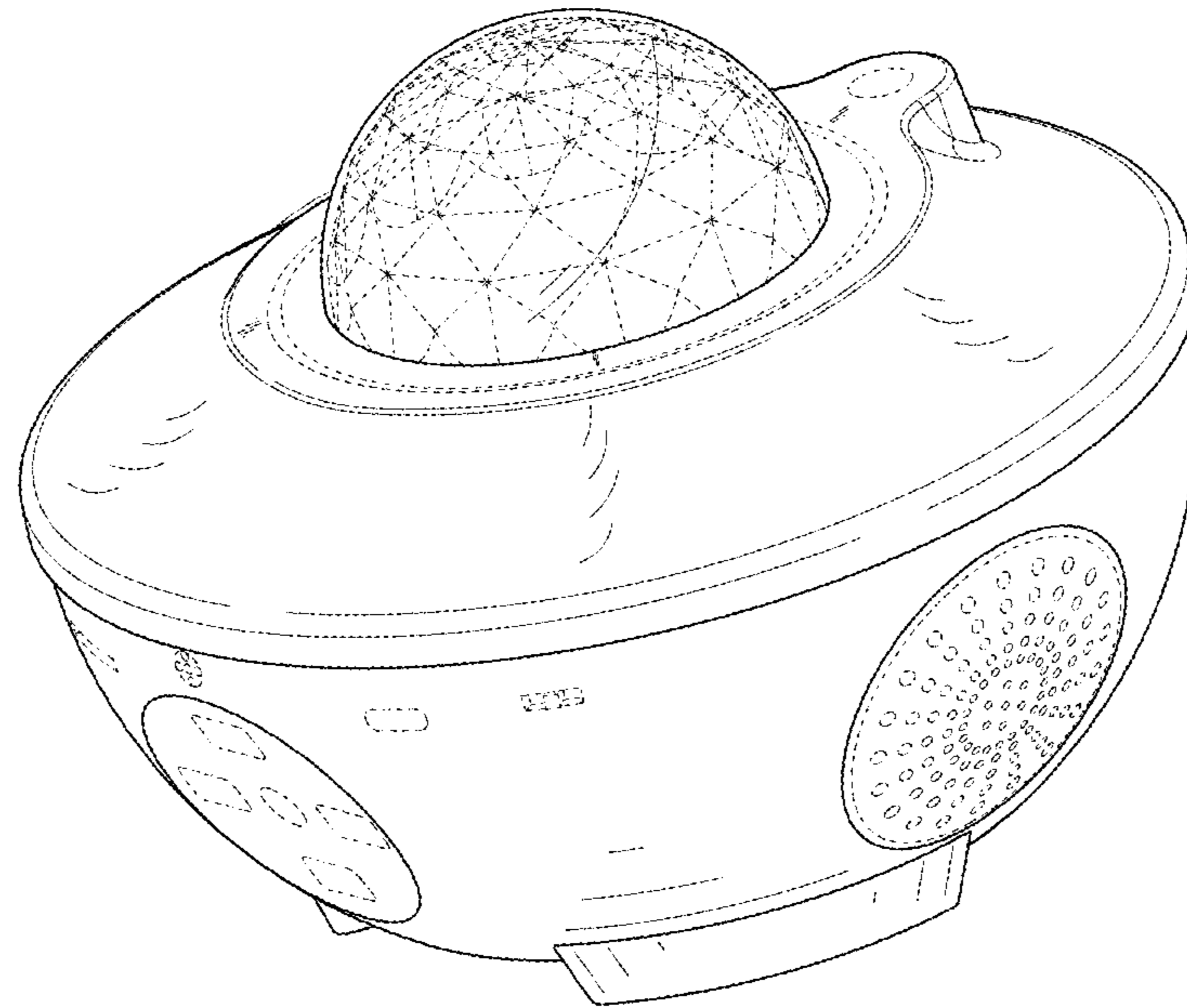


FIG. 1

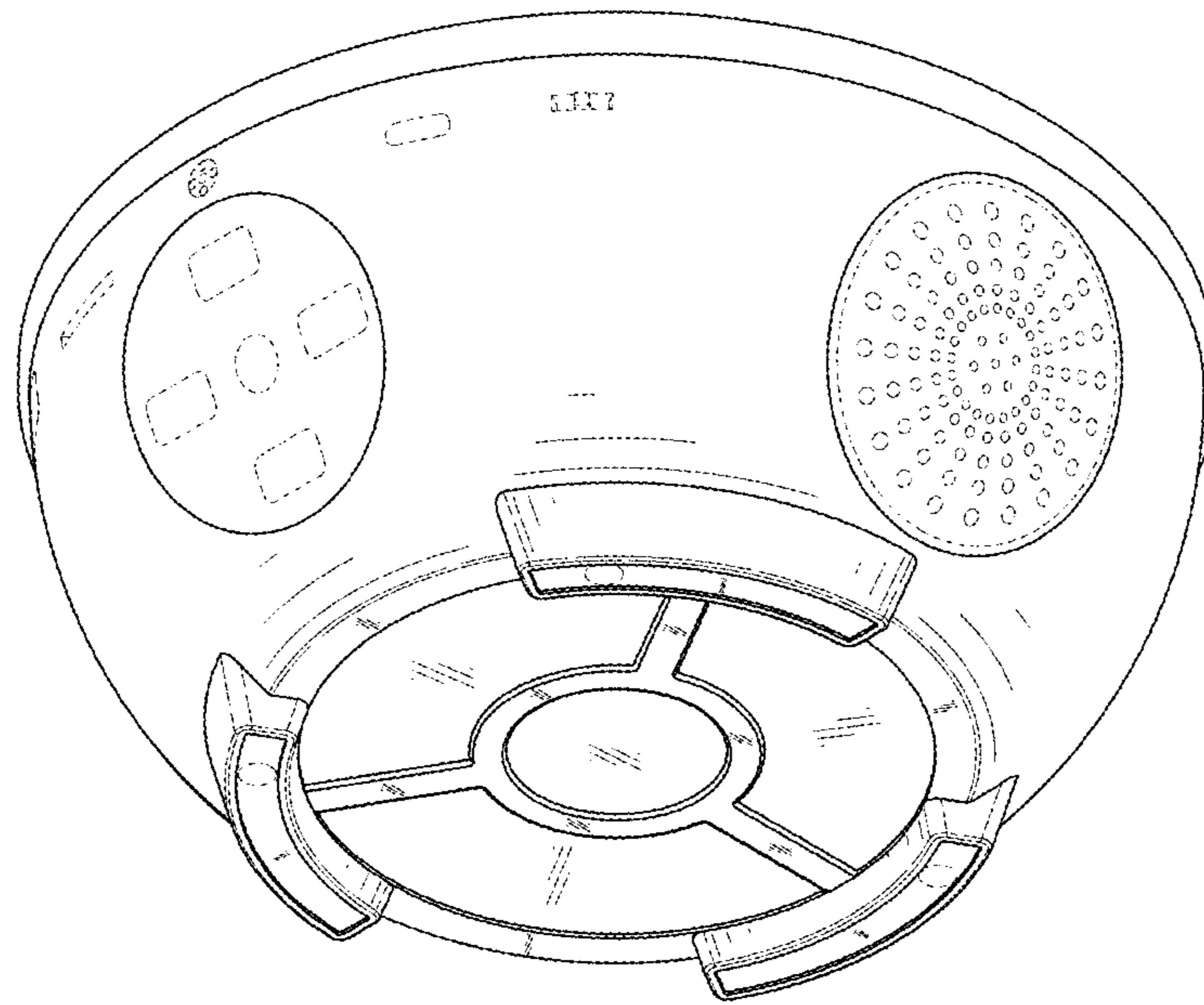


FIG. 2

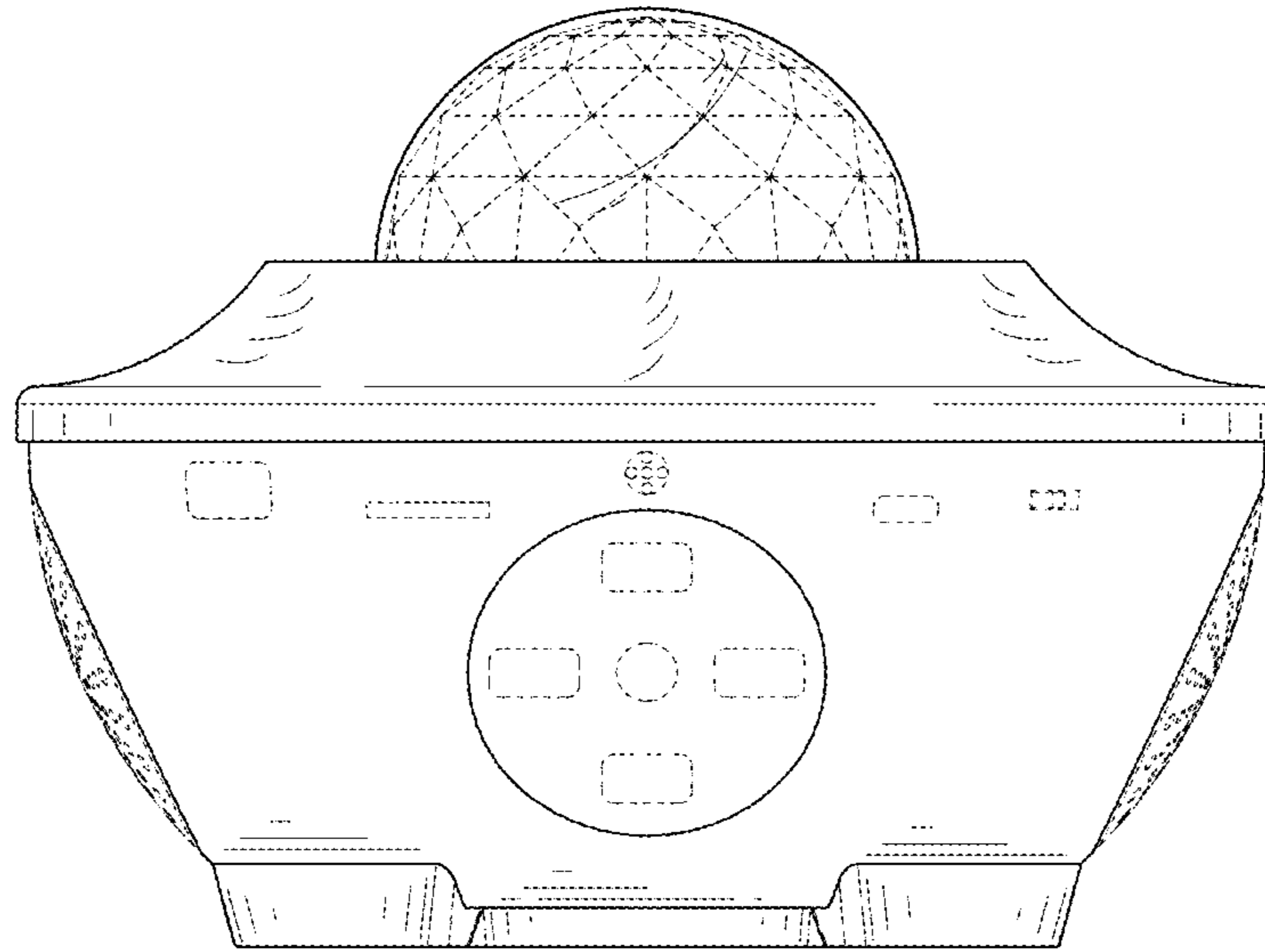


FIG. 3

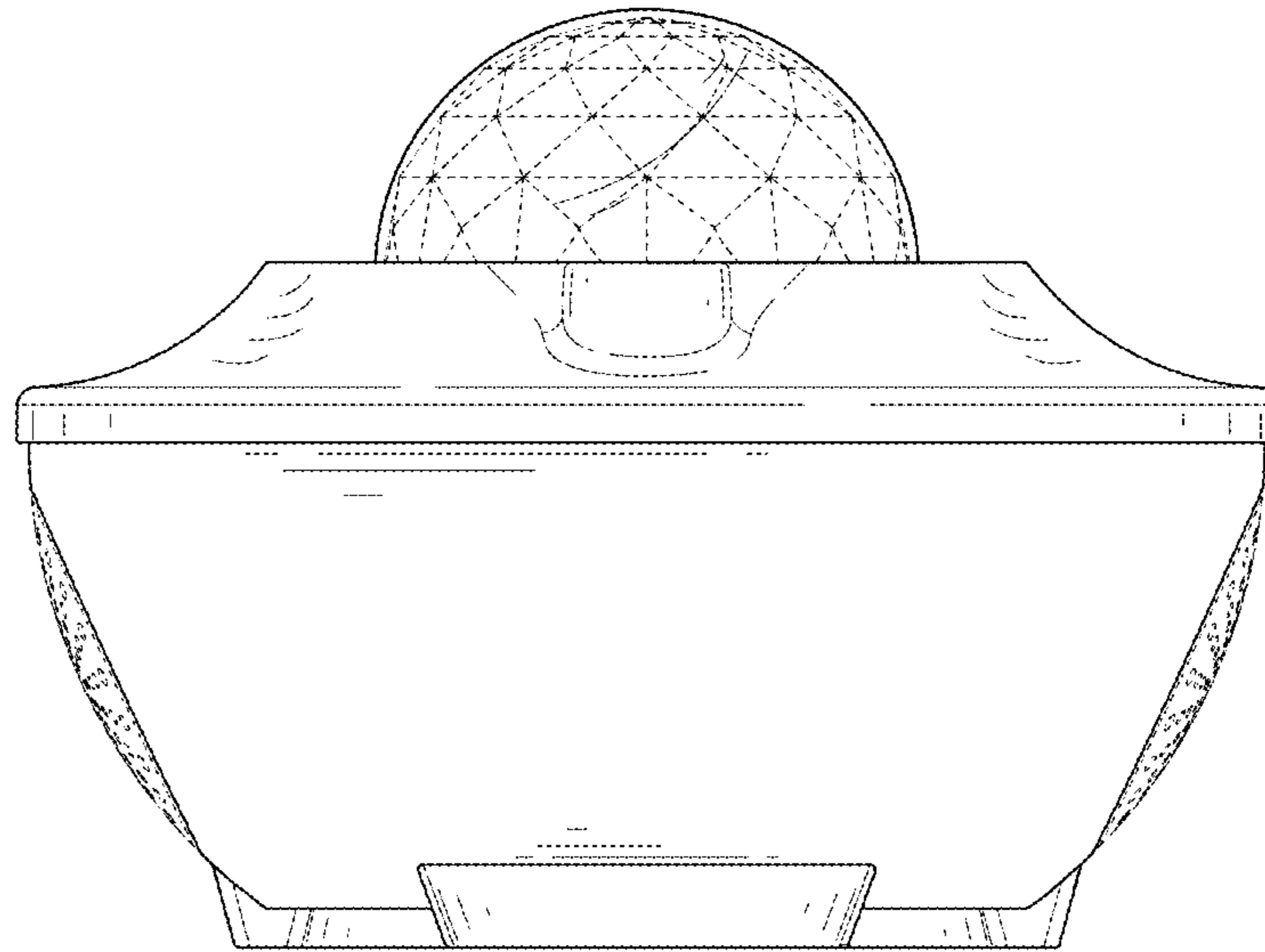


FIG. 4

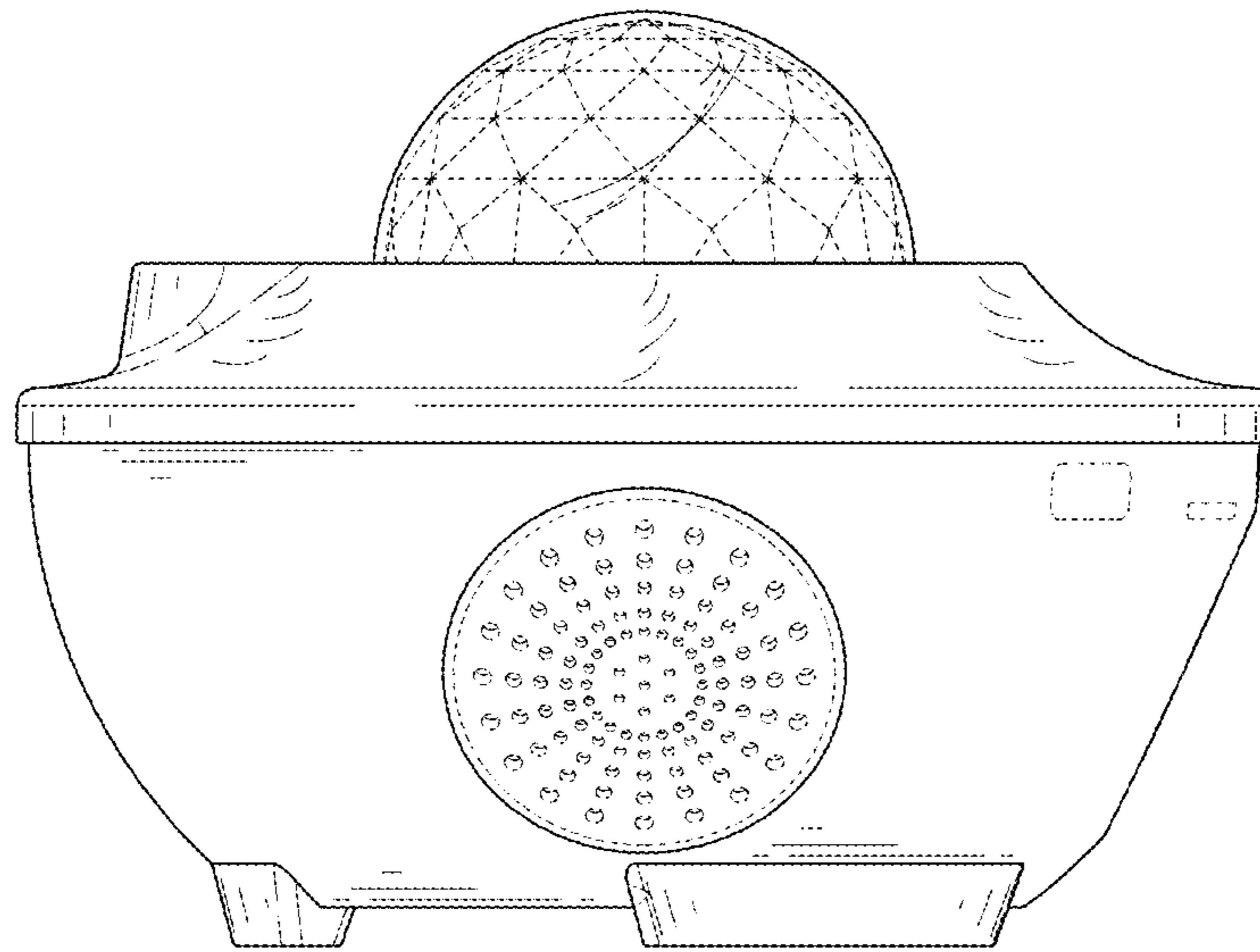


FIG. 5

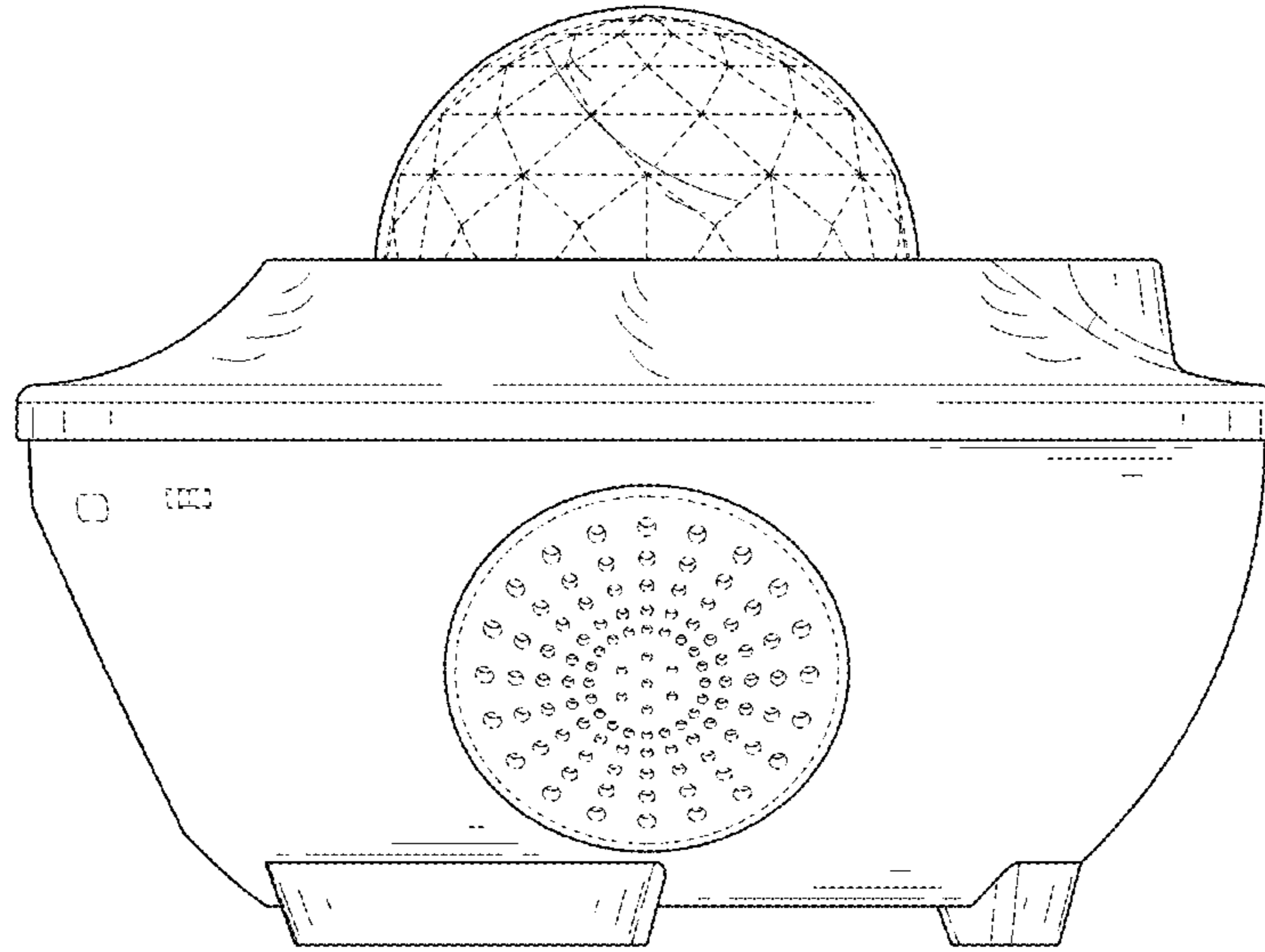


FIG. 6

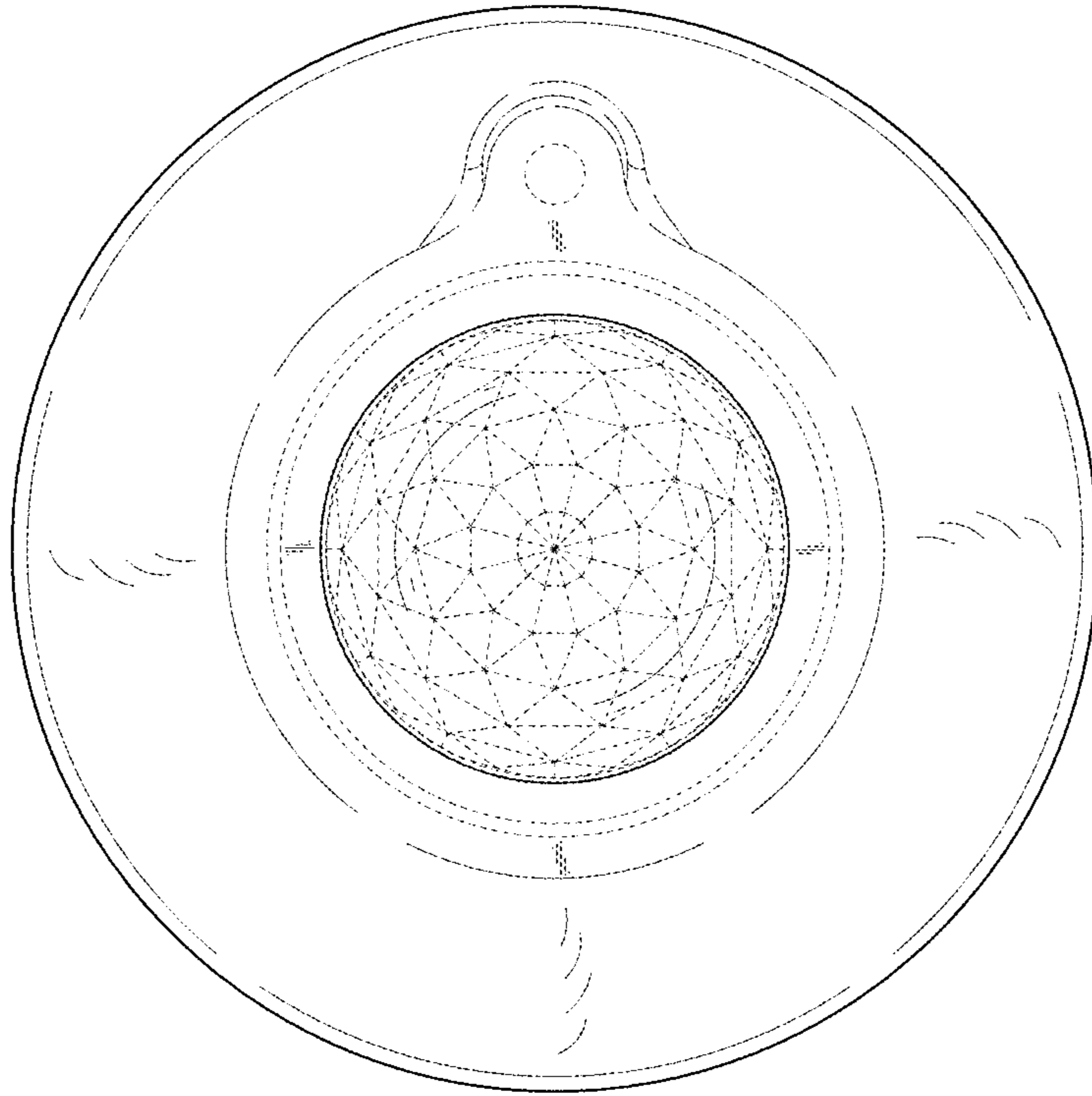


FIG. 7



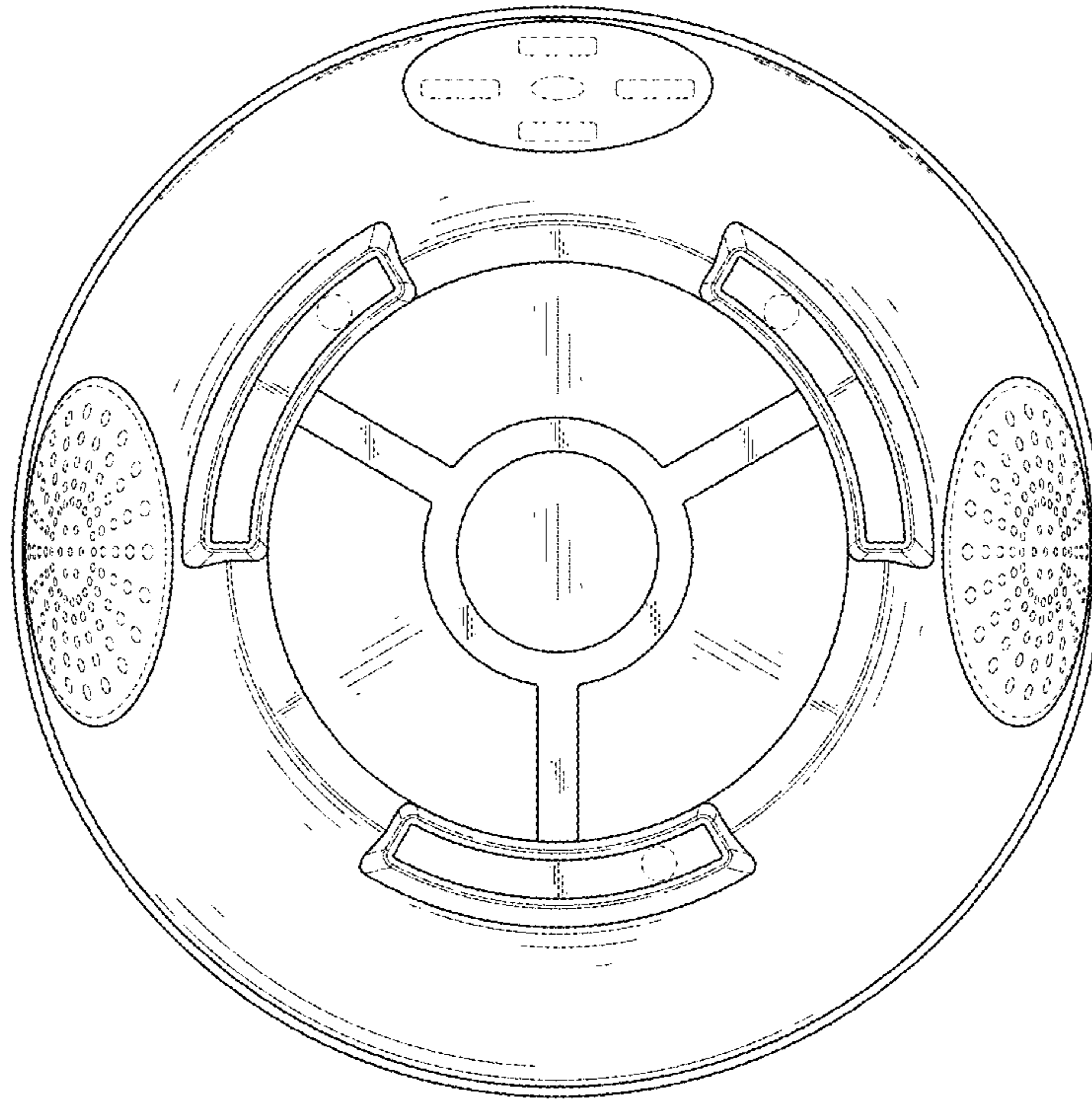


FIG. 8