



US00D914956S

(12) **United States Design Patent**
Chen

(10) **Patent No.:** **US D914,956 S**

(45) **Date of Patent:** **** Mar. 30, 2021**

(54) **TABLE LAMP**

(71) Applicant: **Yongchuan Chen**, Guangzhou (CN)

(72) Inventor: **Yongchuan Chen**, Guangzhou (CN)

(**) Term: **15 Years**

(21) Appl. No.: **29/746,980**

(22) Filed: **Aug. 19, 2020**

(51) **LOC (13) Cl.** **26-03**

(52) **U.S. Cl.**
USPC **D26/107**

(58) **Field of Classification Search**
USPC D26/104, 107, 110
CPC .. F21S 6/00; F21S 6/002; F21V 21/02; F21V
21/116; F21W 2121/00; F21W 2131/30
See application file for complete search history.

(56) **References Cited**

U.S. PATENT DOCUMENTS

D385,646 S *	10/1997	Chan	D26/107
D411,026 S *	6/1999	Schaak	D26/107
D480,827 S	10/2003	Hsieh		
D675,763 S *	2/2013	Levine	D26/107
8,783,936 B2 *	7/2014	Chien	F21V 33/0024 362/641
D742,573 S	11/2015	Kern et al.		
D819,261 S	5/2018	Akkad		

D835,329 S *	12/2018	Edgar	D26/107
D882,858 S *	4/2020	Sun	D26/107
D892,391 S	8/2020	Tong		
D903,930 S *	12/2020	Chen	D26/107

* cited by examiner

Primary Examiner — Brian N. Vinson

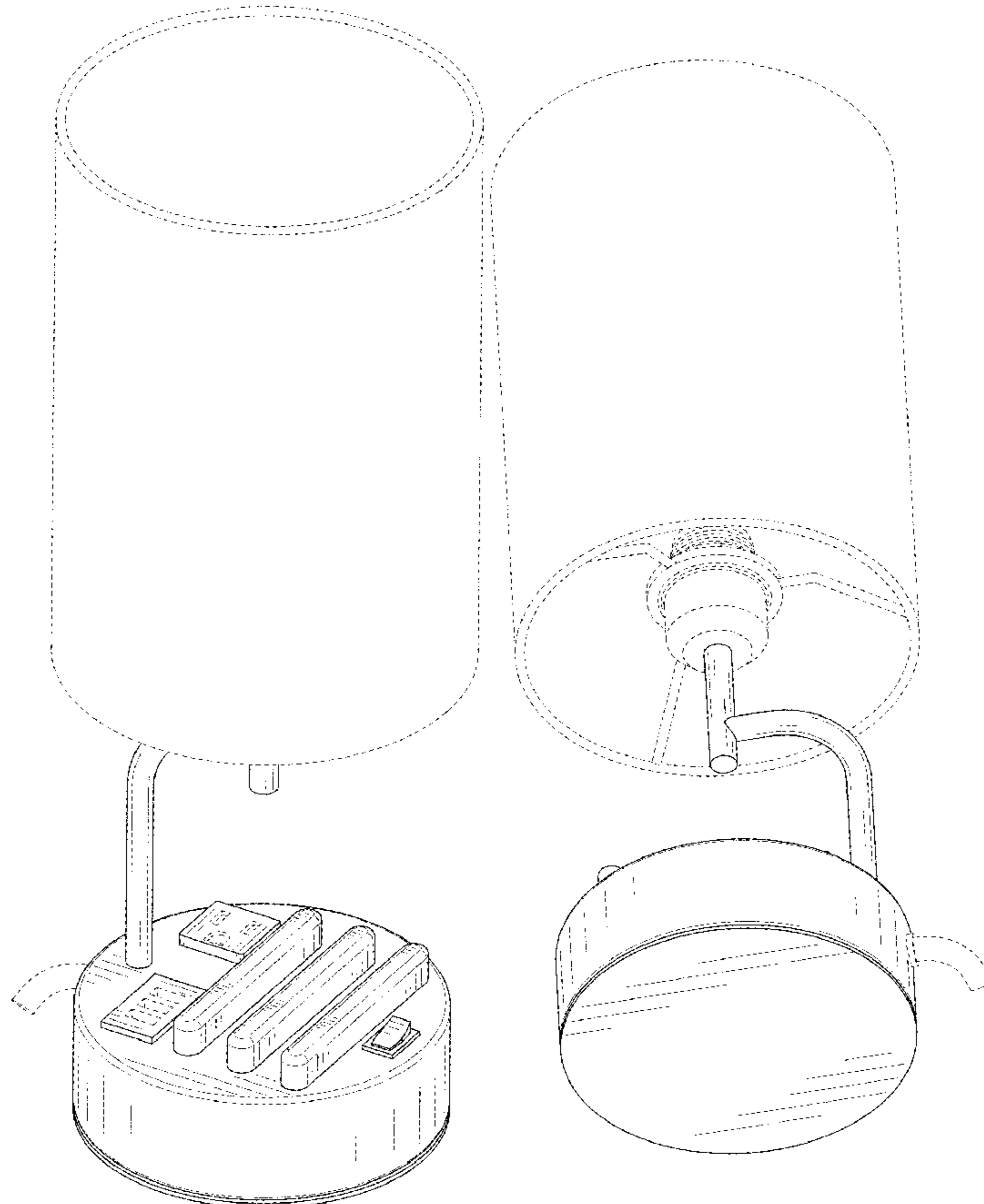
(57) **CLAIM**

The ornamental design for a table lamp, as shown and described.

DESCRIPTION

FIG. 1 is a perspective view of a table lamp showing my new design;
FIG. 2 is similar to FIG. 1, viewed from another aspect;
FIG. 3 is a front elevational view thereof;
FIG. 4 is a rear elevational view thereof;
FIG. 5 is a left side elevational view thereof;
FIG. 6 is a right side elevational view thereof;
FIG. 7 is a top plan view thereof; and,
FIG. 8 is a bottom plan view thereof.
The broken lines in the drawings depict portions of the table lamp that form no part of the claimed design.

1 Claim, 8 Drawing Sheets



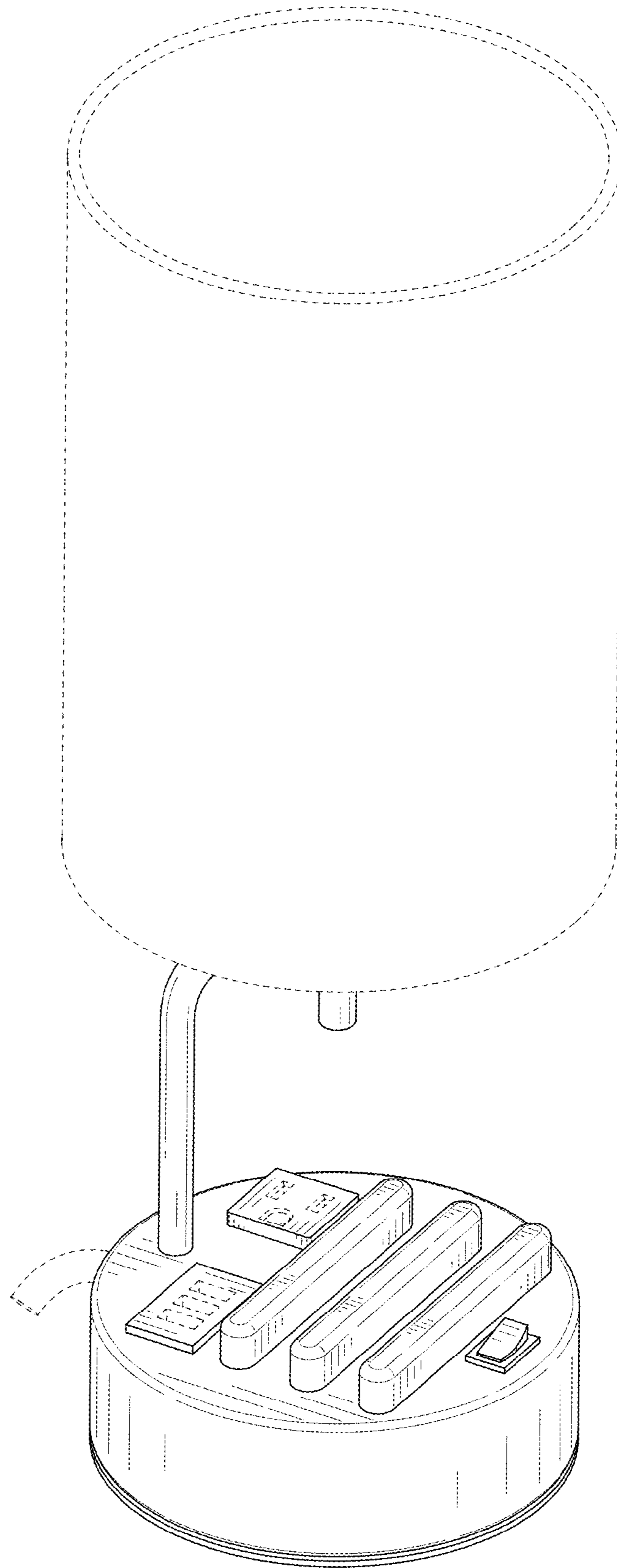


FIG. 1

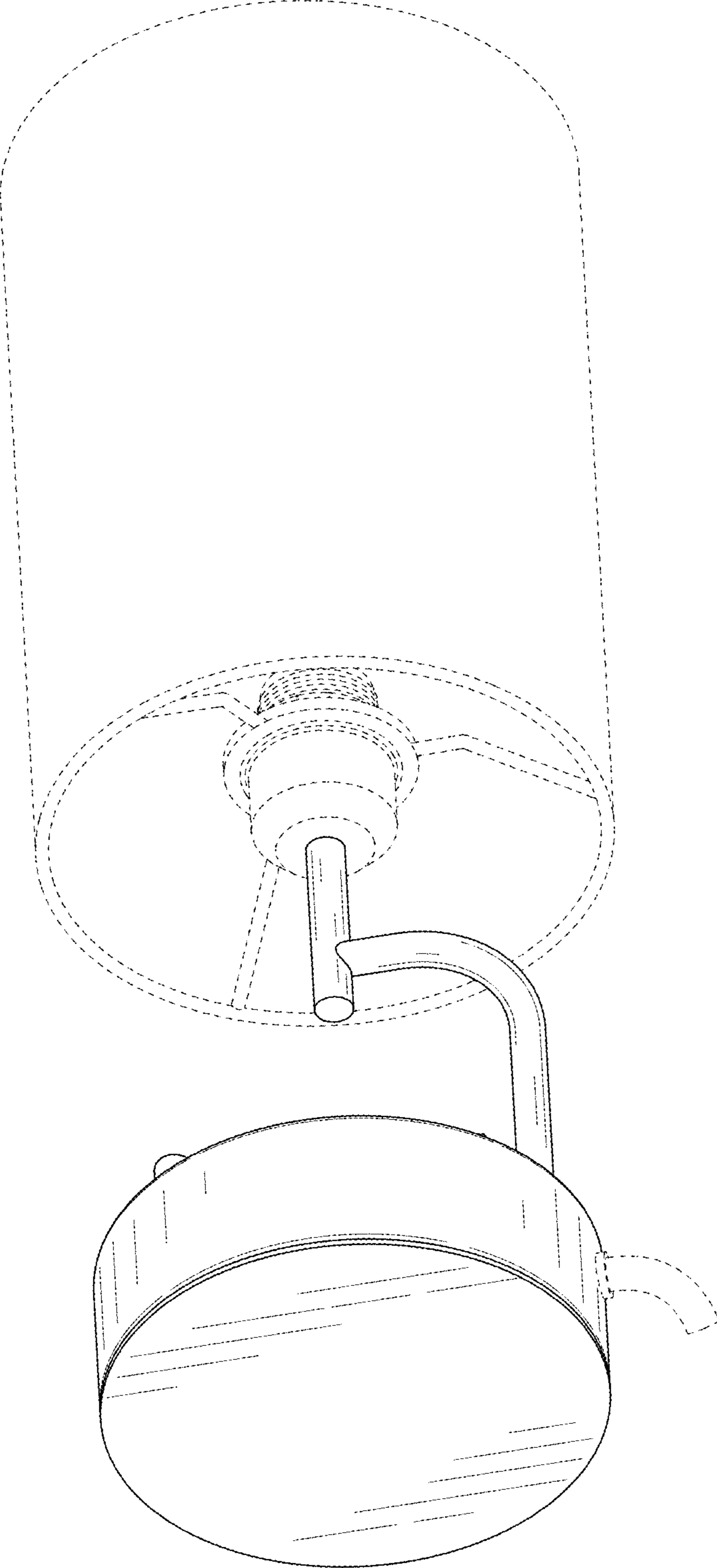


FIG. 2

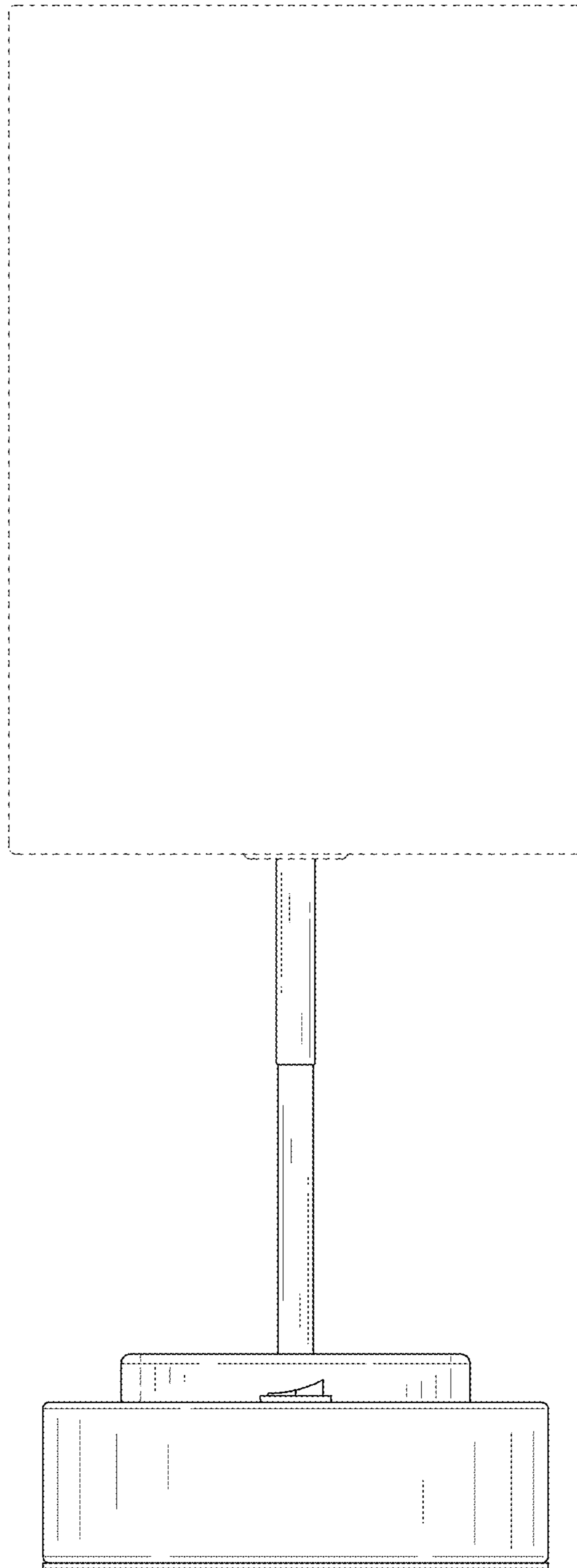


FIG. 3

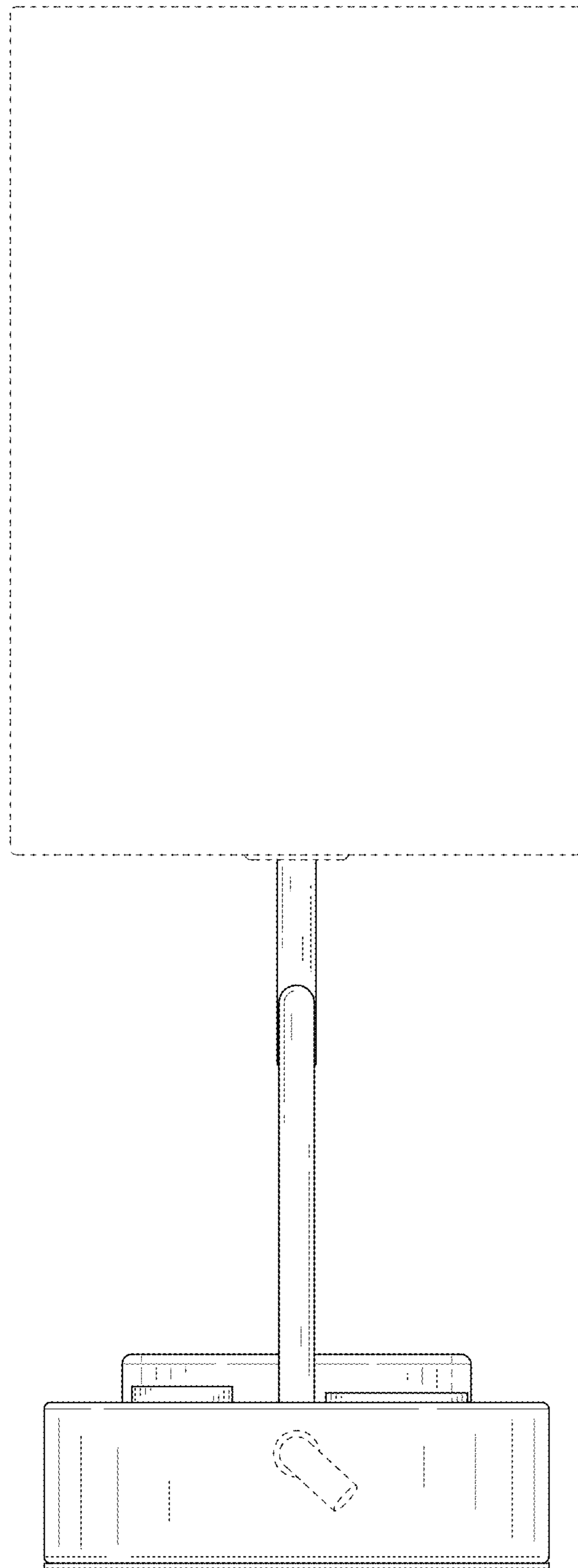


FIG. 4

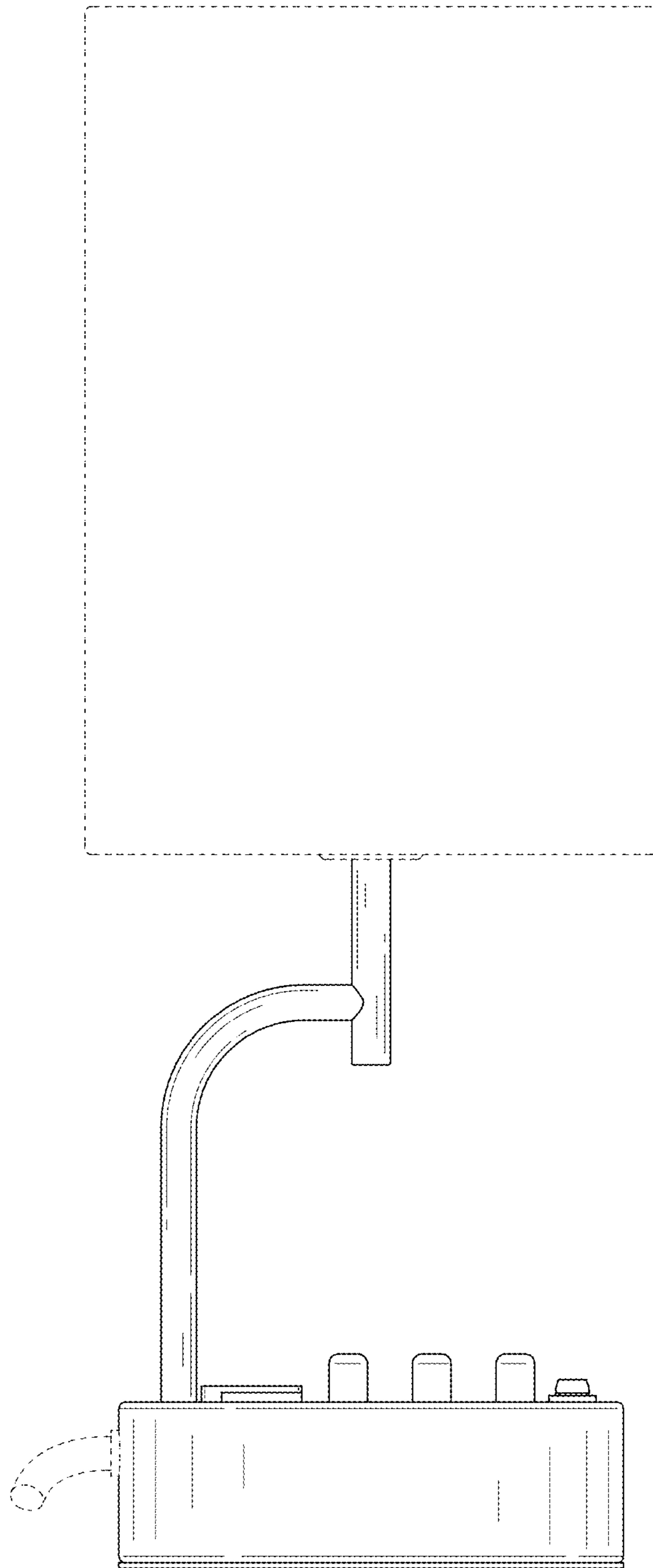


FIG. 5

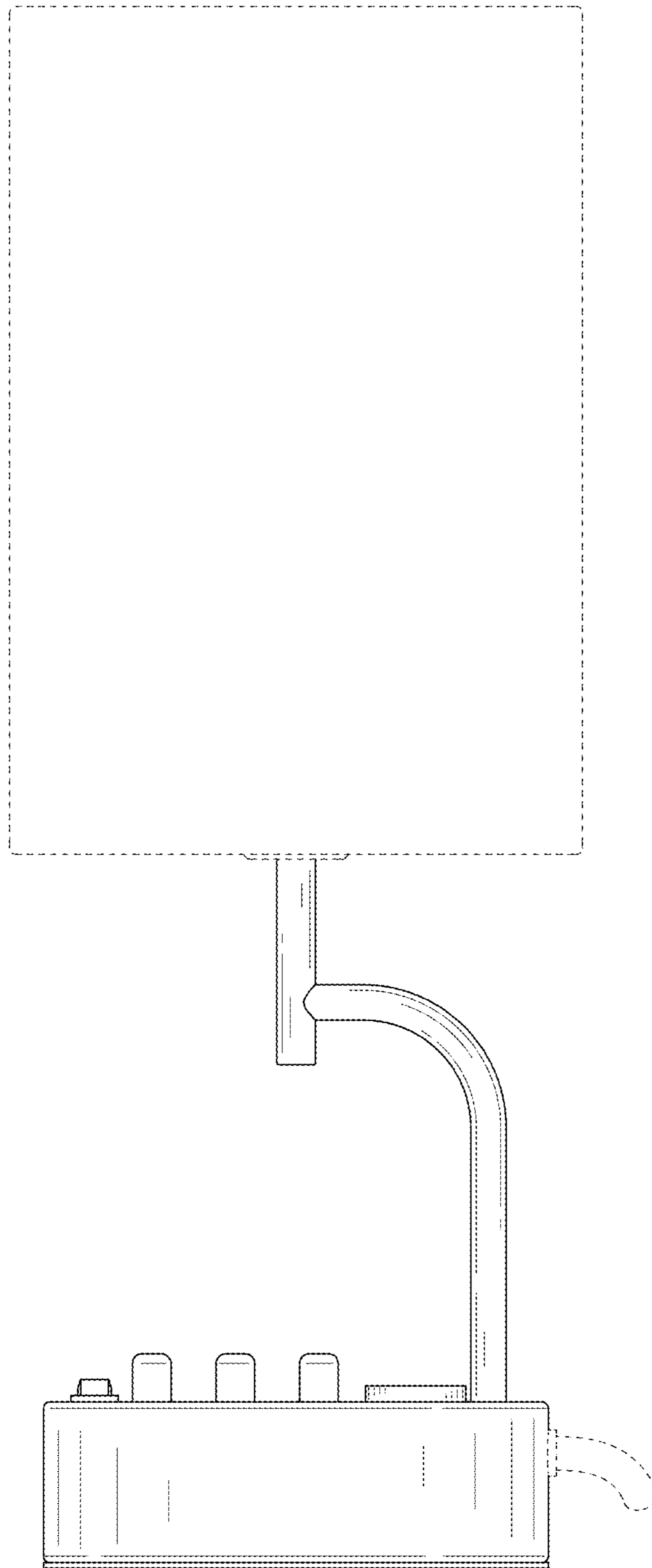


FIG. 6

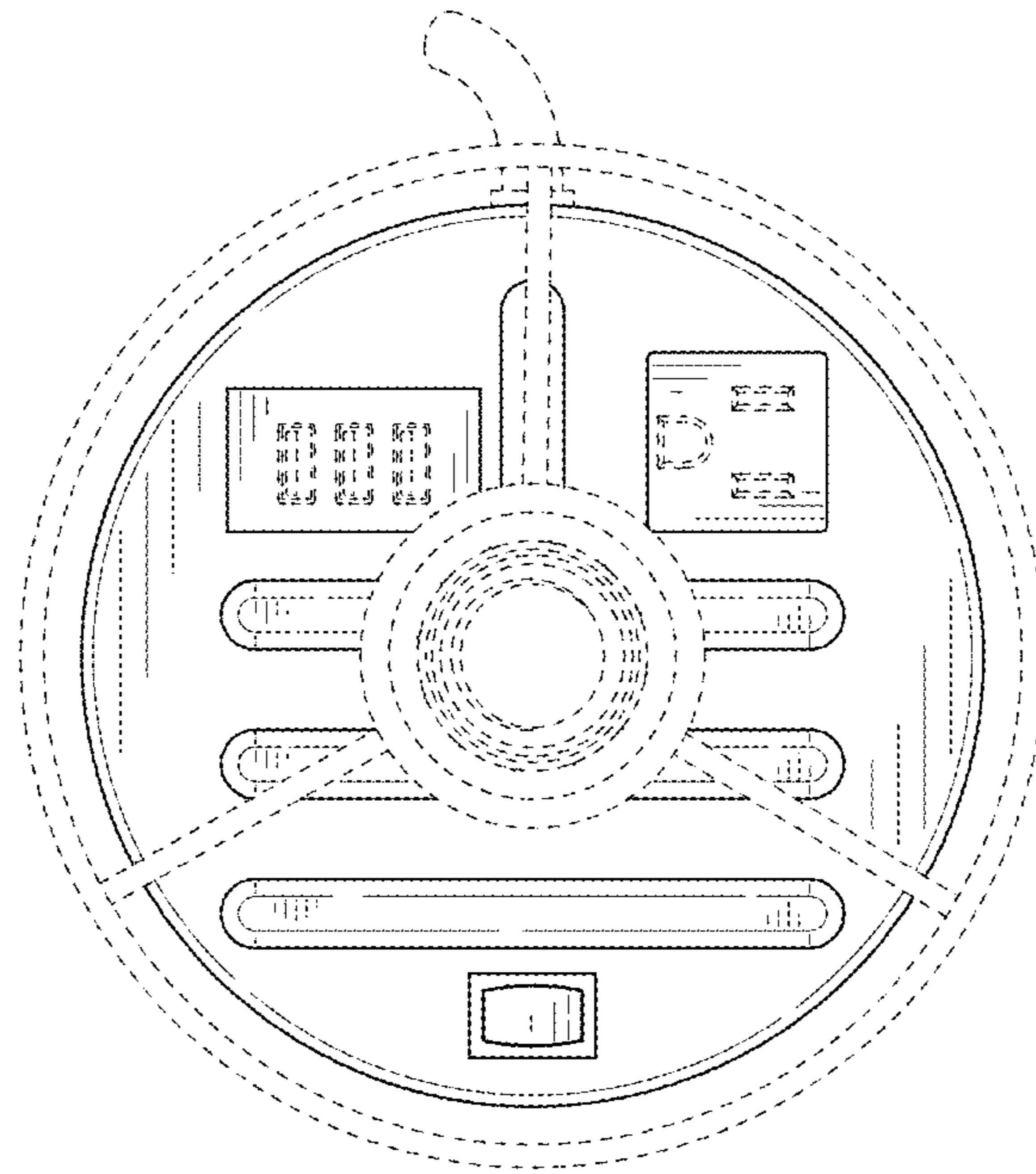


FIG. 7

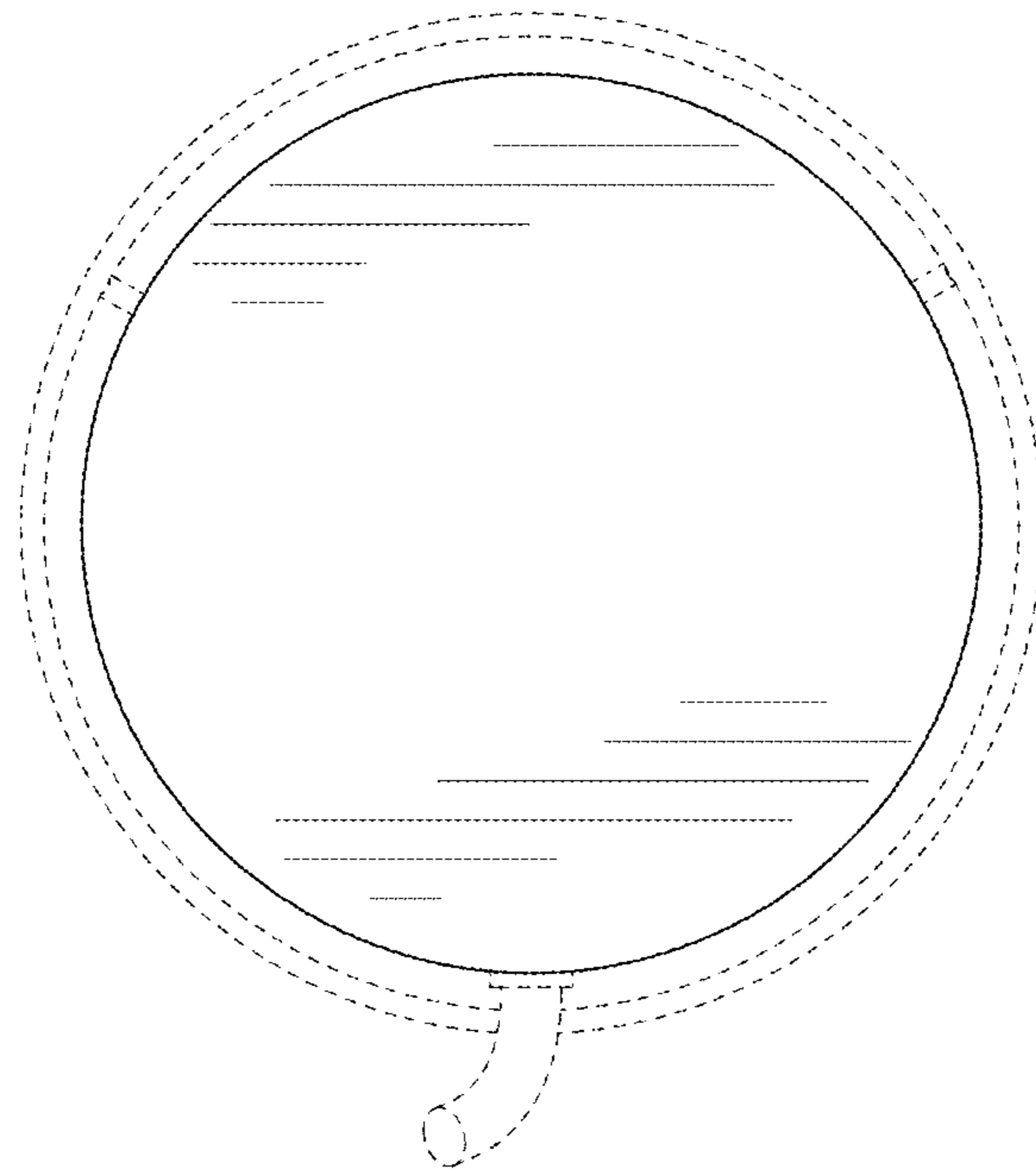


FIG. 8