



US00D914955S

(12) **United States Design Patent**
Deng

(10) **Patent No.:** **US D914,955 S**

(45) **Date of Patent:** **** Mar. 30, 2021**

(54) **DESK LAMP**

(71) Applicant: **FOSHAN BOCHUANG ZHIGUANG CO., LTD.**, Foshan (CN)

(72) Inventor: **Wei Deng**, Foshan (CN)

(73) Assignee: **FOSHAN BOCHUANG ZHIGUANG CO., LTD.**, Foshan (CN)

(**) Term: **15 Years**

(21) Appl. No.: **29/745,630**

(22) Filed: **Aug. 7, 2020**

(51) **LOC (13) Cl.** **26-03**

(52) **U.S. Cl.**
USPC **D26/107**

(58) **Field of Classification Search**
USPC D26/93, 107, 108
CPC F21Y 2101/02; F21S 6/003; F21V 21/26;
F21V 21/02
See application file for complete search history.

(56) **References Cited**

U.S. PATENT DOCUMENTS

D757,342 S * 5/2016 Cai D26/107
D843,636 S 3/2019 Tong

D871,648 S 12/2019 Tong
D873,474 S * 1/2020 Wang D26/107
D873,475 S 1/2020 Wang et al.
D882,858 S * 4/2020 Sun D26/107
D899,669 S * 10/2020 Liu D26/108
D903,930 S * 12/2020 Chen D26/107

* cited by examiner

Primary Examiner — Brian N. Vinson

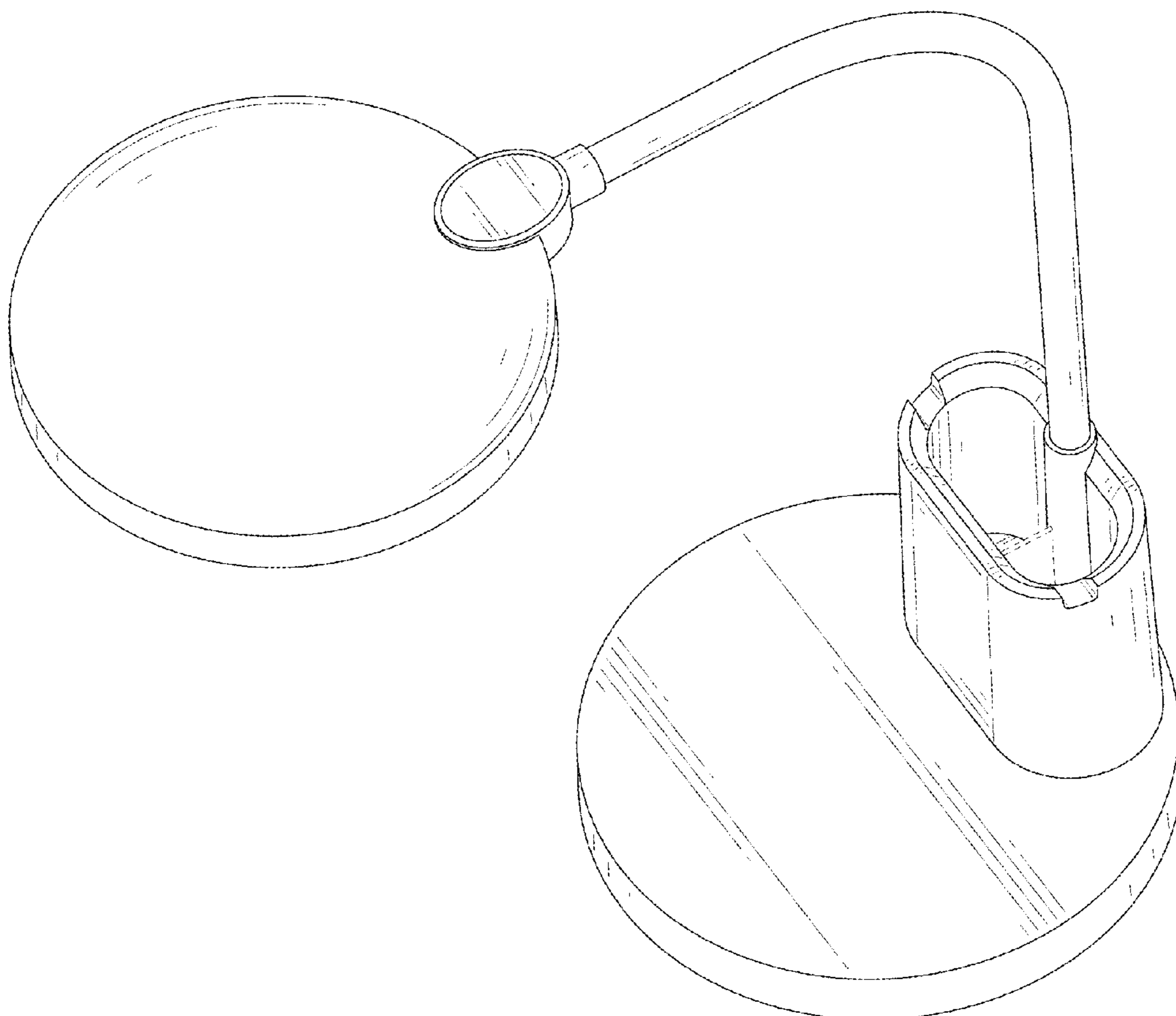
(57) **CLAIM**

The ornamental design for a desk lamp, as shown and described.

DESCRIPTION

FIG. 1 is a perspective view of a desk lamp showing my new design;
FIG. 2 is another perspective view thereof;
FIG. 3 is a front elevational view thereof;
FIG. 4 is a rear elevational view thereof;
FIG. 5 is a left side elevational view thereof;
FIG. 6 is a right side elevational view thereof;
FIG. 7 is a top plan view thereof; and,
FIG. 8 is a bottom plan view thereof.
The broken lines in the drawings depict portions of the desk lamp that form no part of the claimed design.

1 Claim, 8 Drawing Sheets



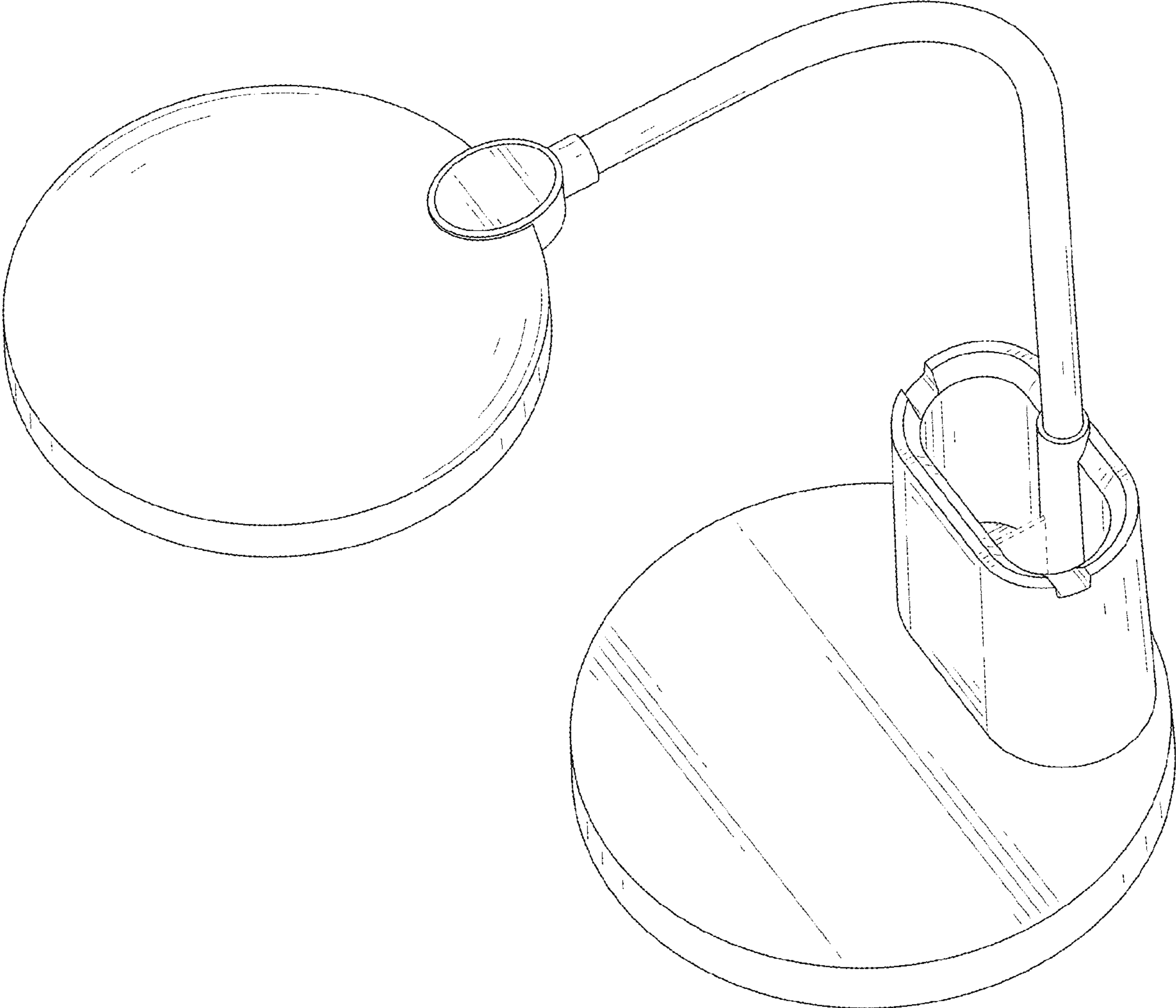


FIG. 1

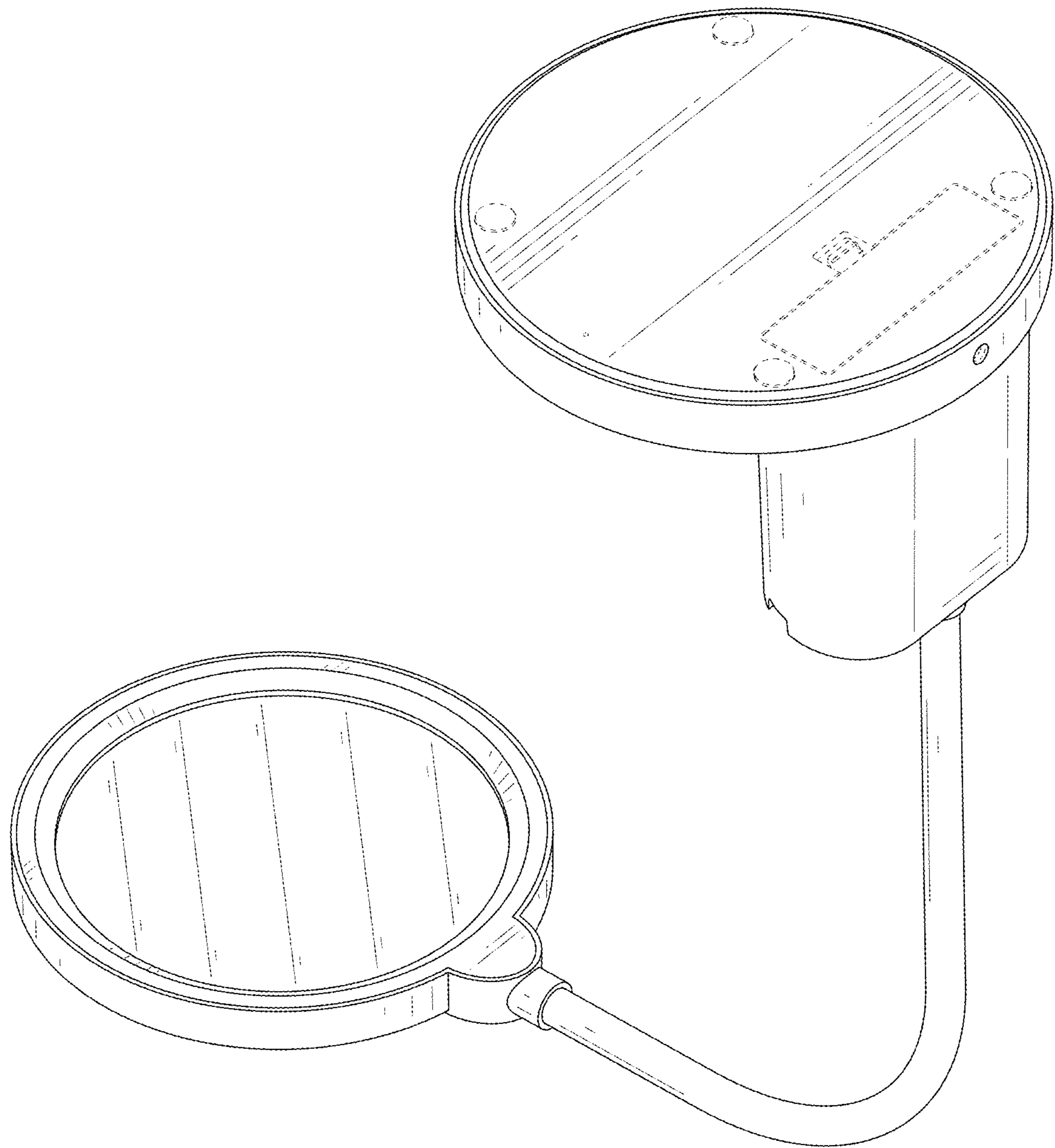


FIG. 2

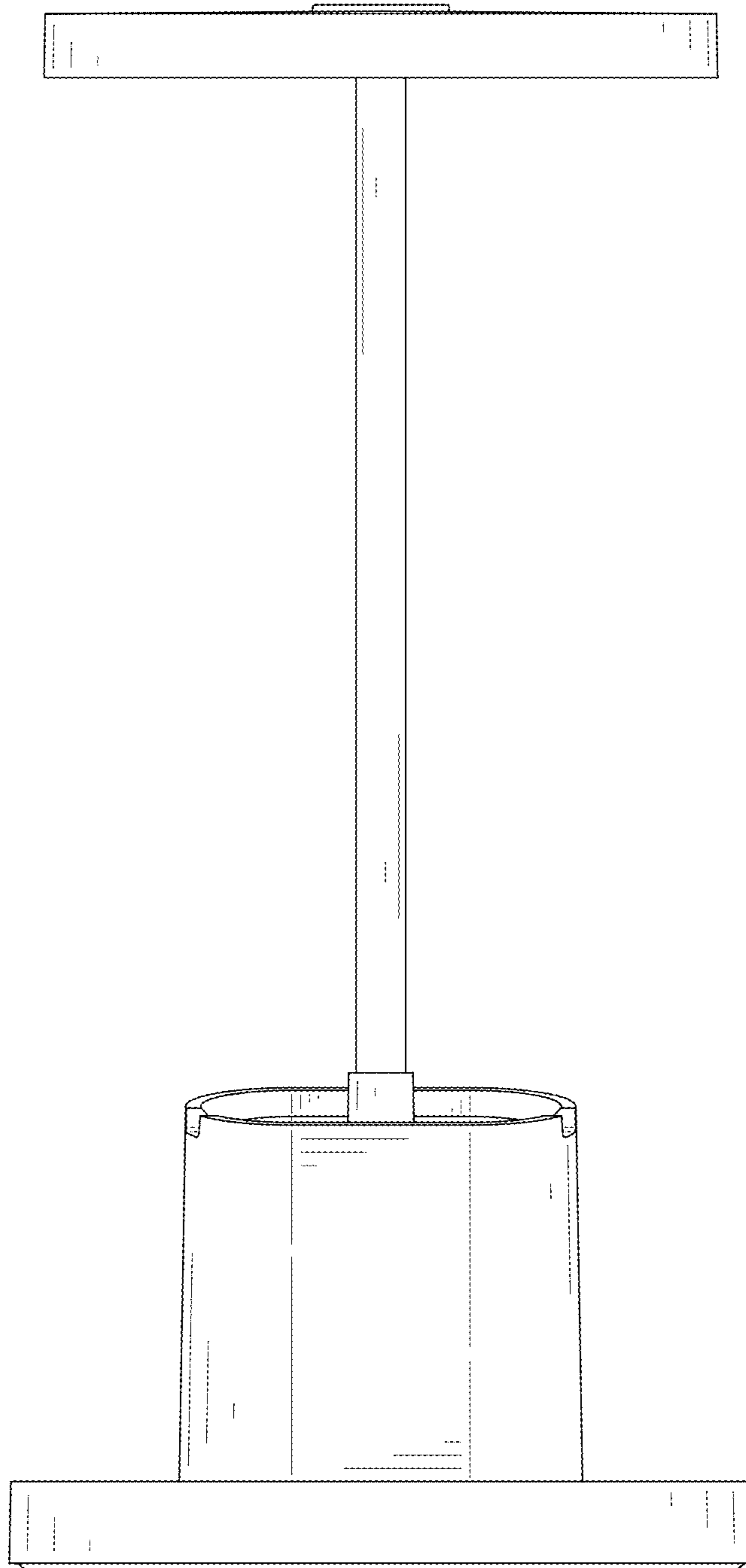


FIG. 3

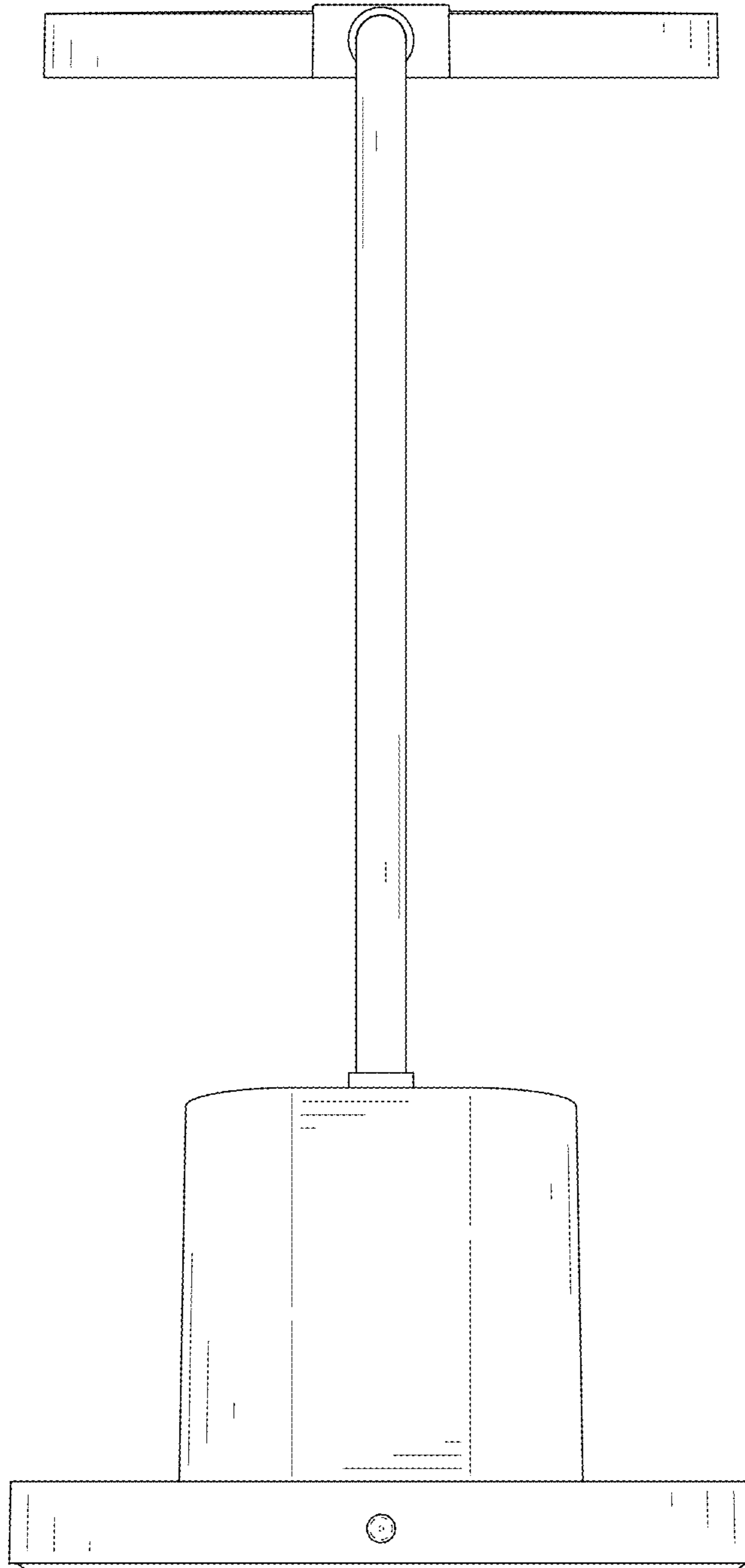


FIG. 4

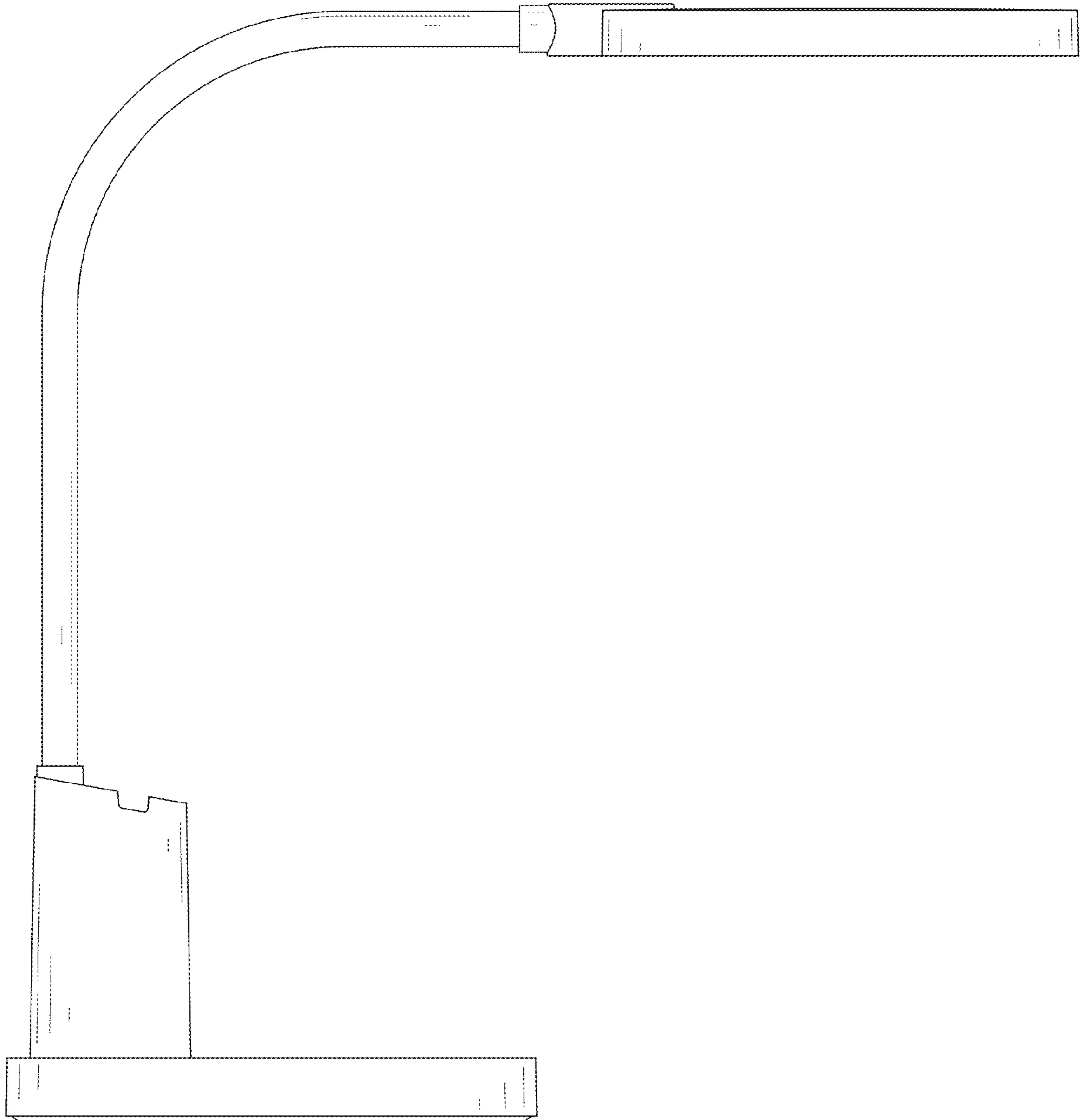


FIG. 5

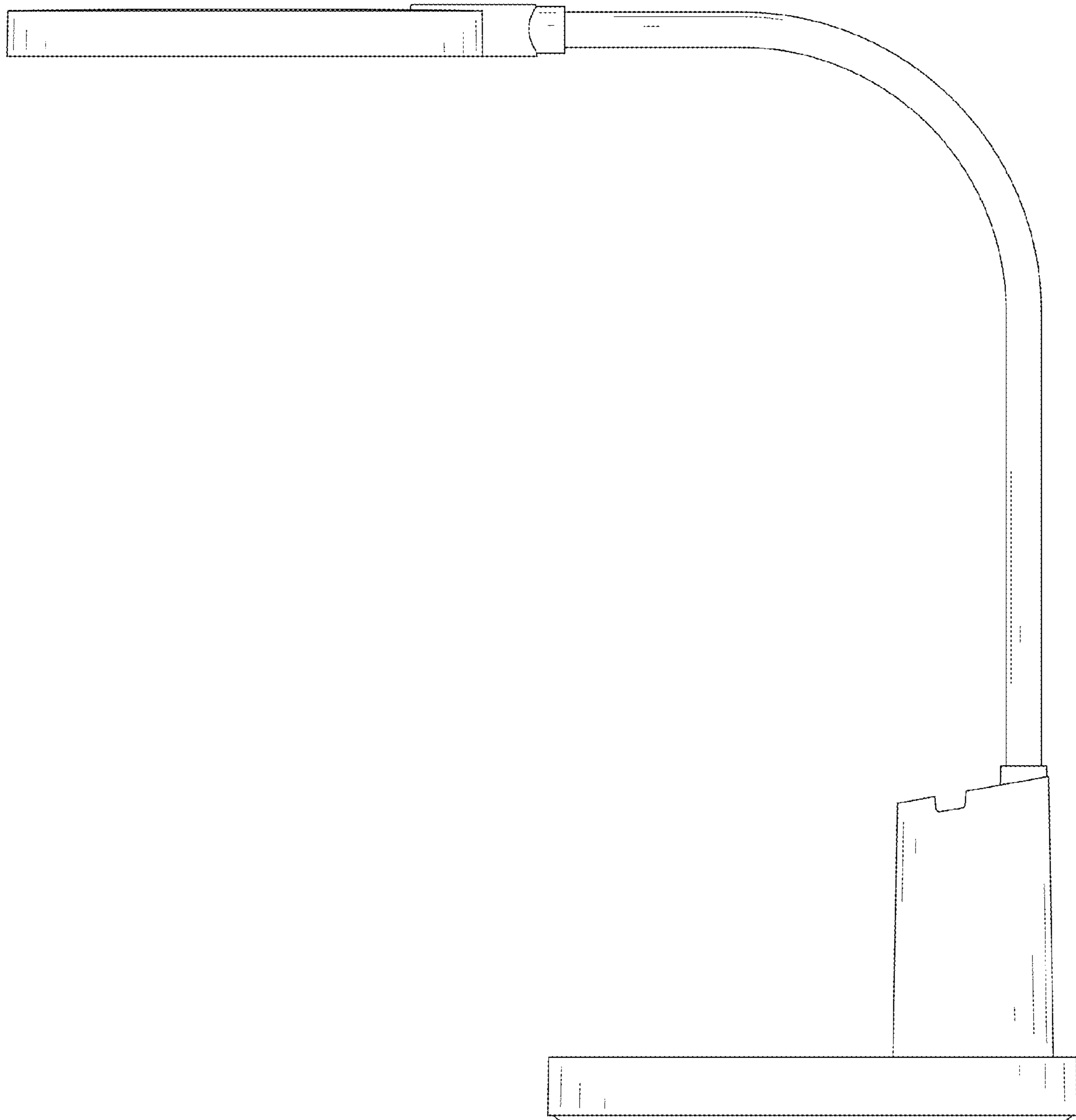


FIG. 6

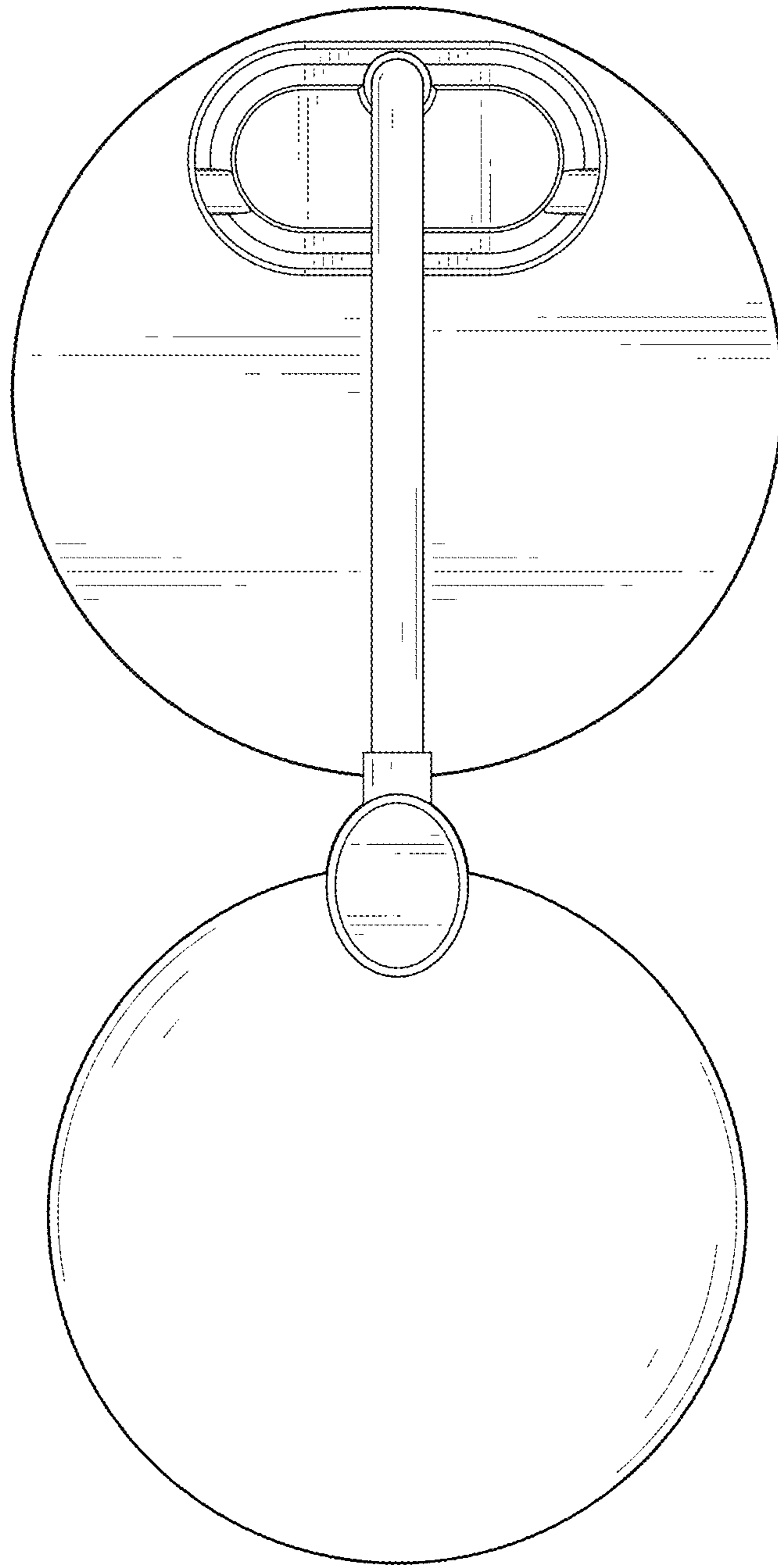


FIG. 7

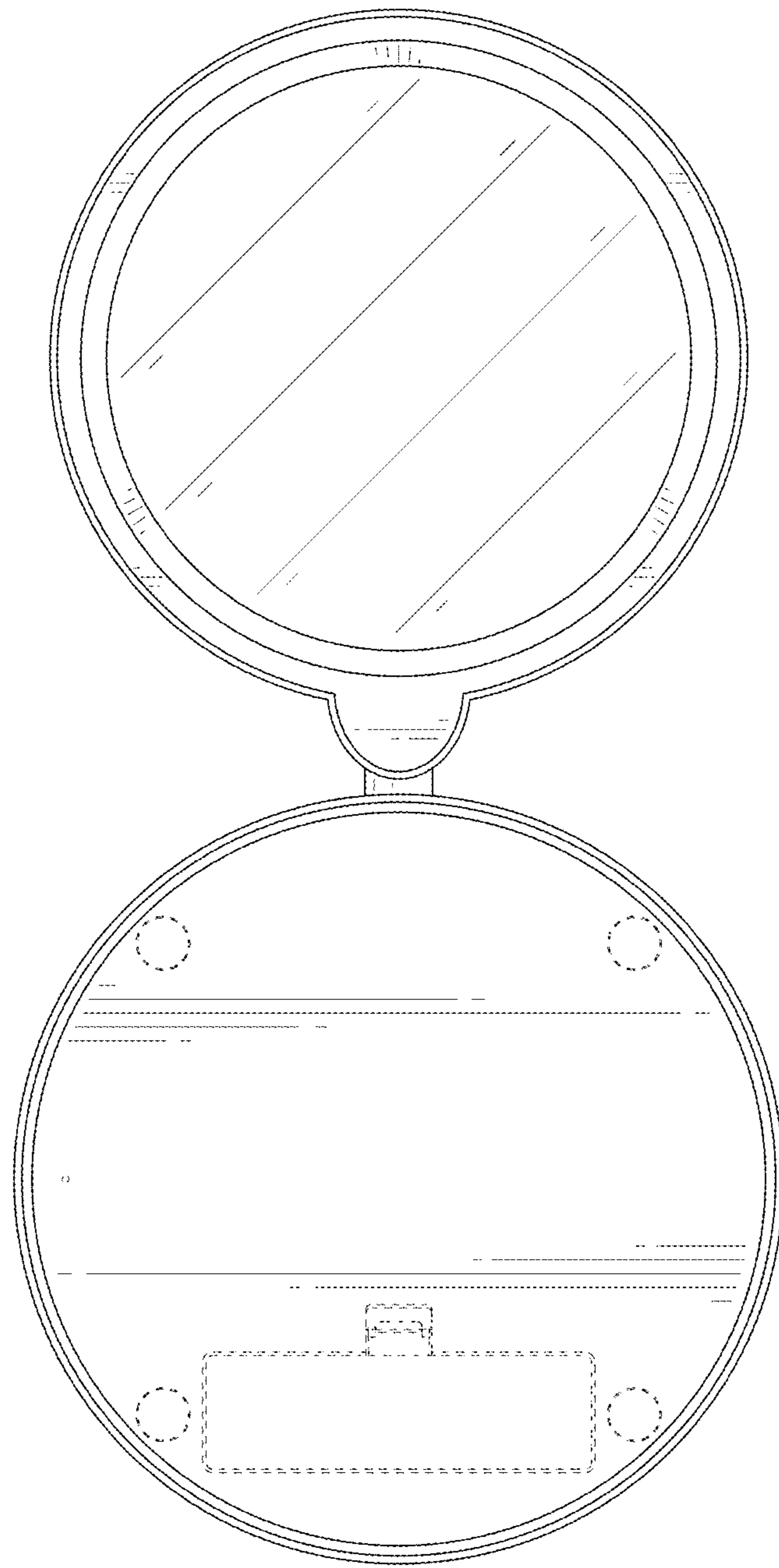


FIG. 8