



US00D914953S

(12) **United States Design Patent**
Yang

(10) **Patent No.:** **US D914,953 S**

(45) **Date of Patent:** **** Mar. 30, 2021**

(54) **LIGHT**

(71) Applicant: **DONGGUAN POWERME PLASTIC MFG. CO., LTD.**, Shenzhen (CN)

(72) Inventor: **Guowei Yang**, Dongguan (CN)

(73) Assignee: **DONGGUAN POWERME PLASTIC MFG. CO., LTD.**, Dongguan (CN)

(**) Term: **15 Years**

(21) Appl. No.: **29/751,920**

(22) Filed: **Sep. 24, 2020**

(51) **LOC (13) Cl.** **26-03**

(52) **U.S. Cl.**
USPC **D26/106**

(58) **Field of Classification Search**
USPC D26/93, 106
CPC F21V 3/00; F21V 5/007; F21W 2121/00;
F21W 2131/30; F21W 2131/406; F21S
6/00; F21S 6/002; F21S 10/00; F21S
10/06

See application file for complete search history.

(56) **References Cited**

U.S. PATENT DOCUMENTS

- 4,754,380 A * 6/1988 Wang G09F 13/0404
362/244
- D328,503 S * 8/1992 Masahara D26/104

- D411,634 S * 6/1999 Connelly D26/104
- D434,518 S * 11/2000 Rivers D26/110
- D485,003 S * 1/2004 Olson D26/104
- D589,204 S * 3/2009 Sabernig D26/104
- D820,488 S * 6/2018 Kinsen Ka Fai D26/37
- D838,030 S 1/2019 Scarso
- D857,267 S * 8/2019 Sherry D26/37
- D858,830 S * 9/2019 Grandadam D26/37
- D890,980 S 7/2020 Toikka

* cited by examiner

Primary Examiner — Brian N. Vinson

(57) **CLAIM**

The ornamental design for a light, as shown and described.

DESCRIPTION

FIG. 1 is a perspective view of a light showing my new design;

FIG. 2 is another perspective view thereof;

FIG. 3 is a front elevational view thereof;

FIG. 4 is a rear elevational view thereof;

FIG. 5 is a left side elevational view thereof;

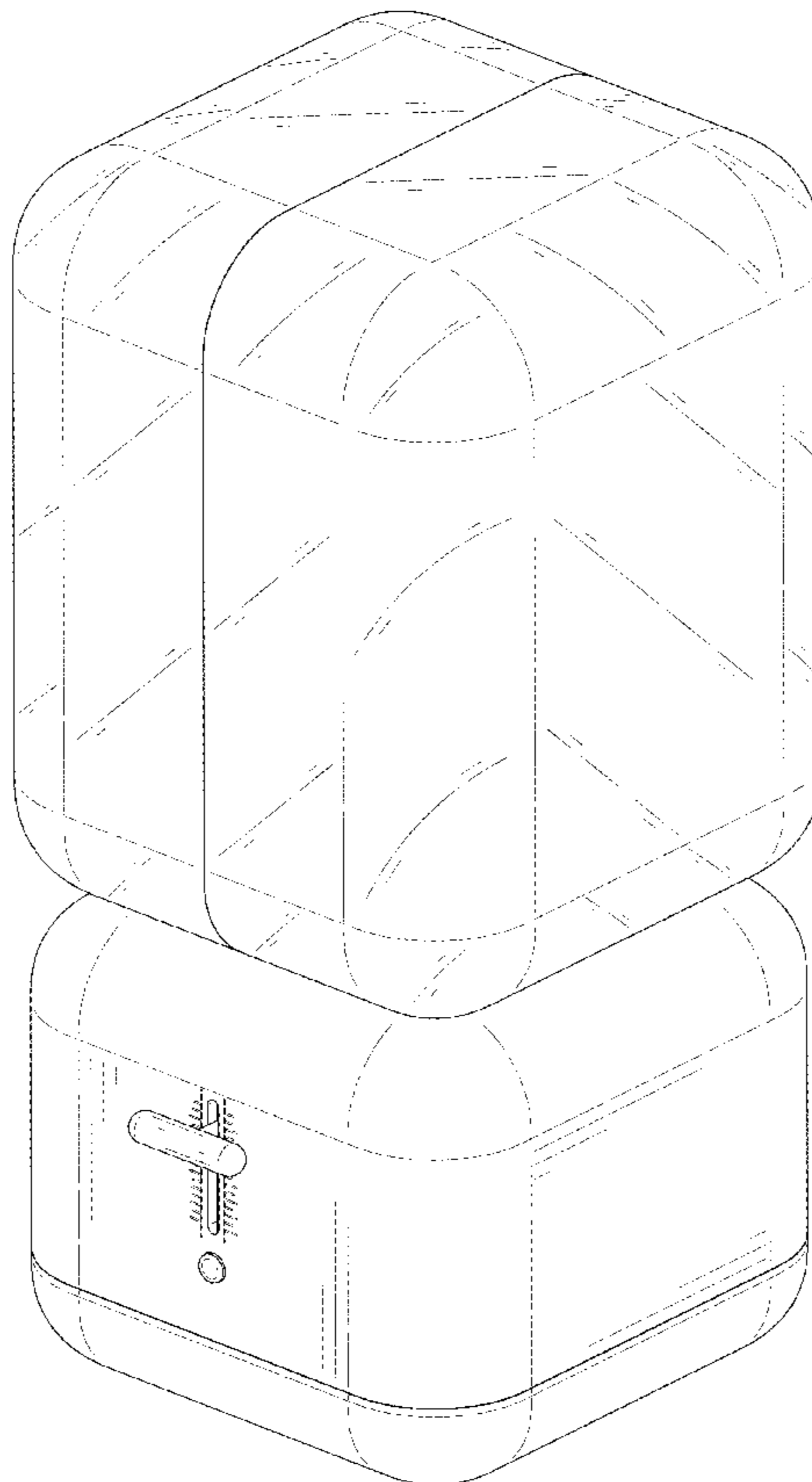
FIG. 6 is a right side elevational view thereof;

FIG. 7 is a top plan view thereof; and,

FIG. 8 is a bottom plan view thereof.

The broken lines in the drawings depict portions of the light that form no part of the claimed design.

1 Claim, 8 Drawing Sheets



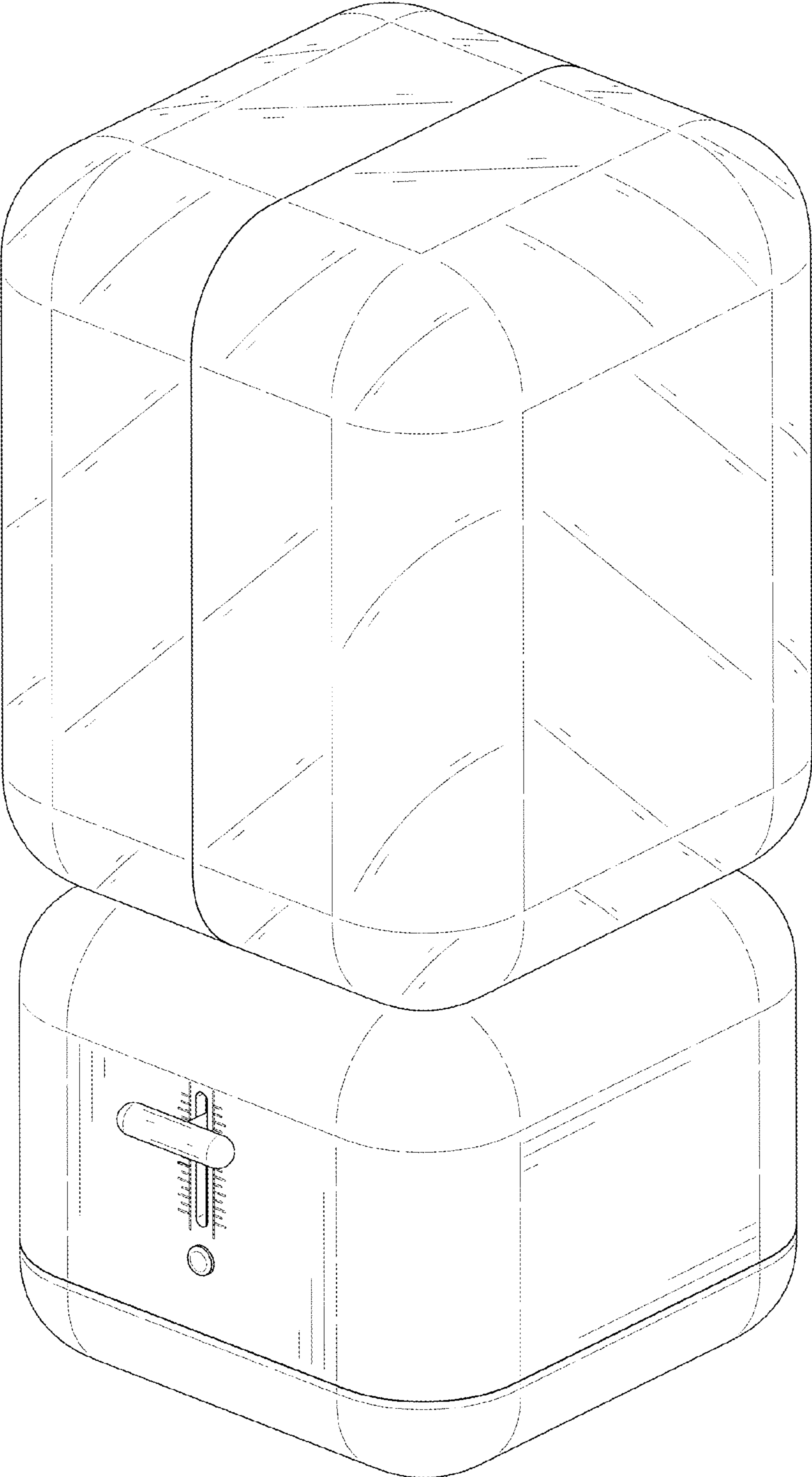


FIG. 1

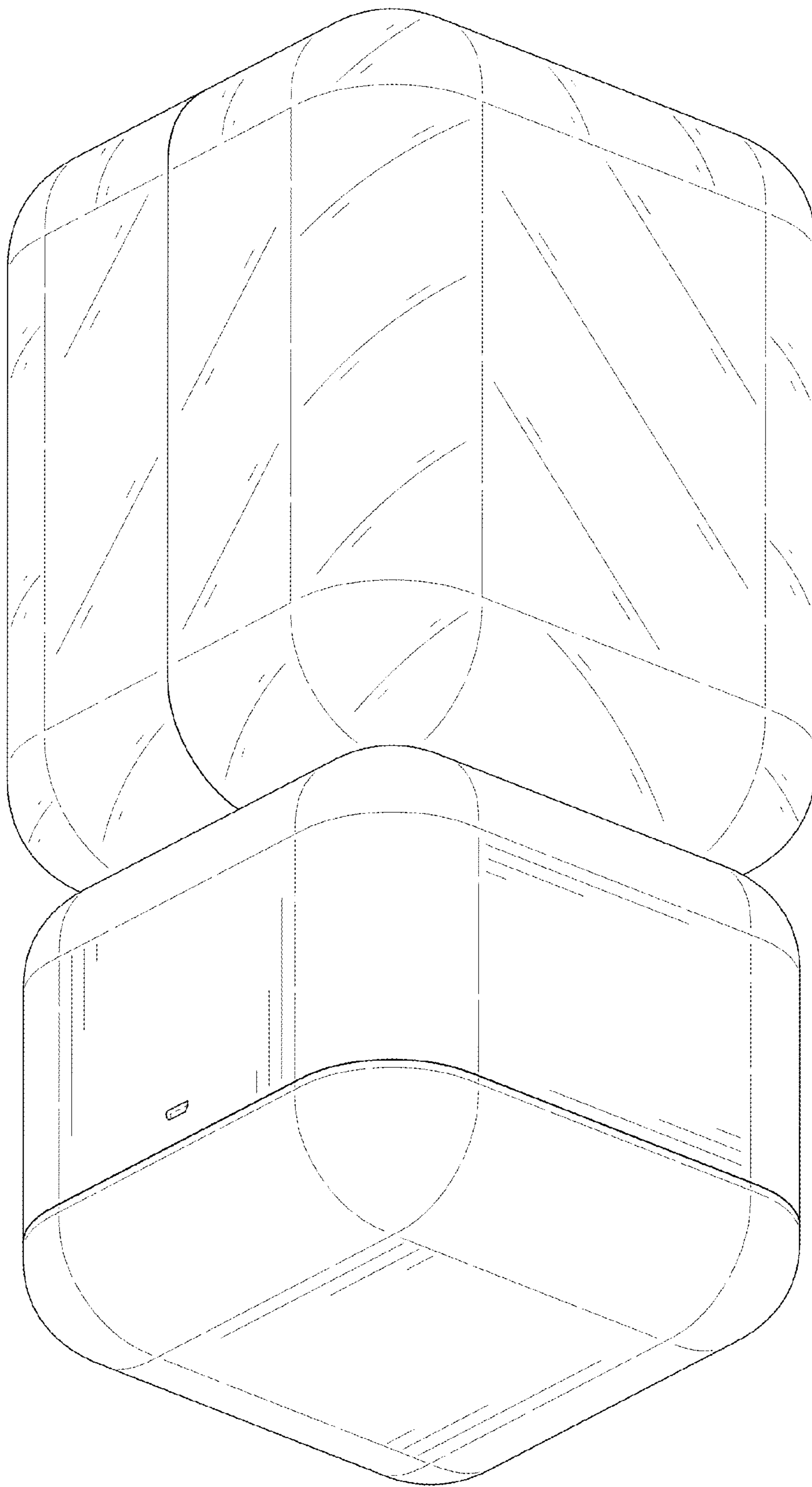


FIG. 2

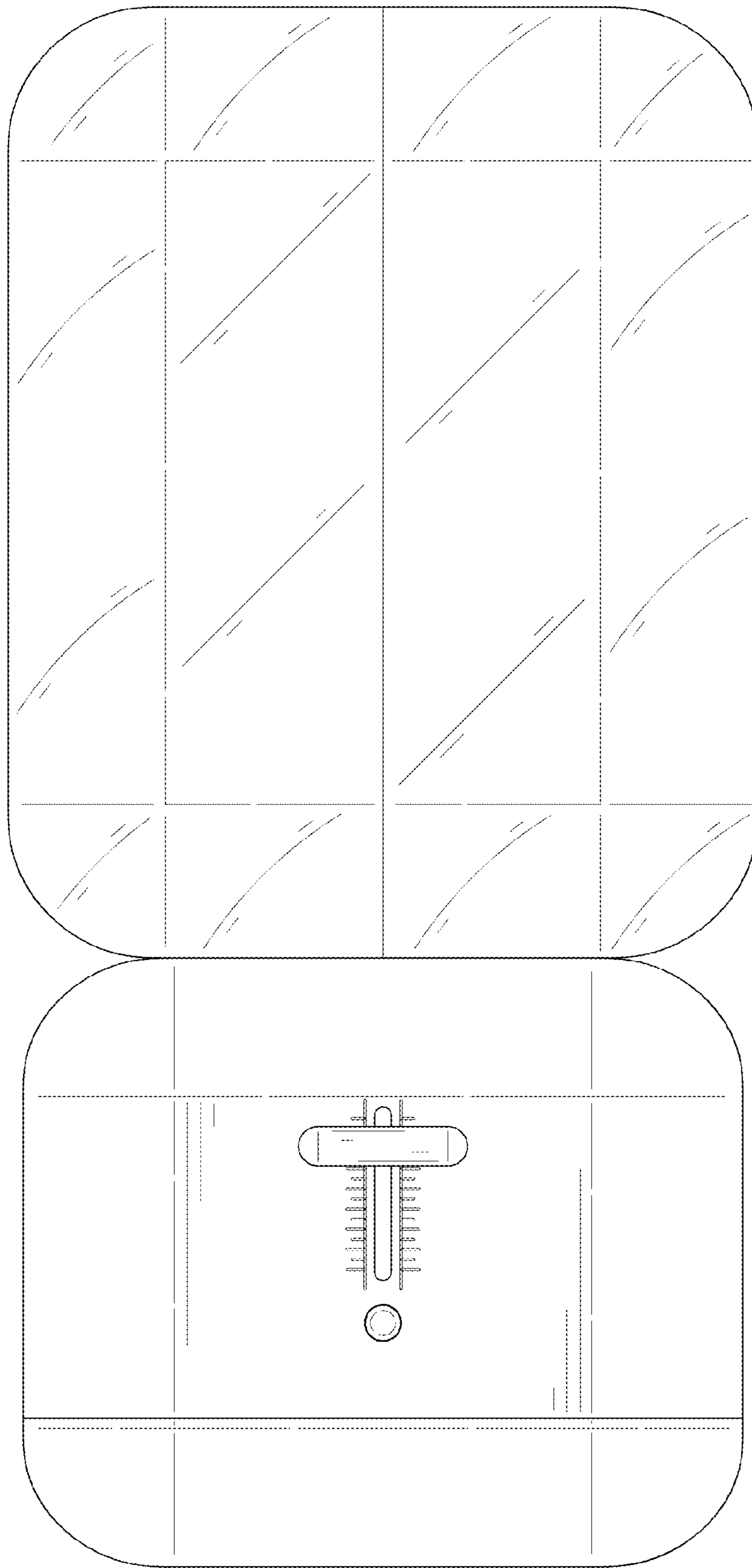


FIG. 3

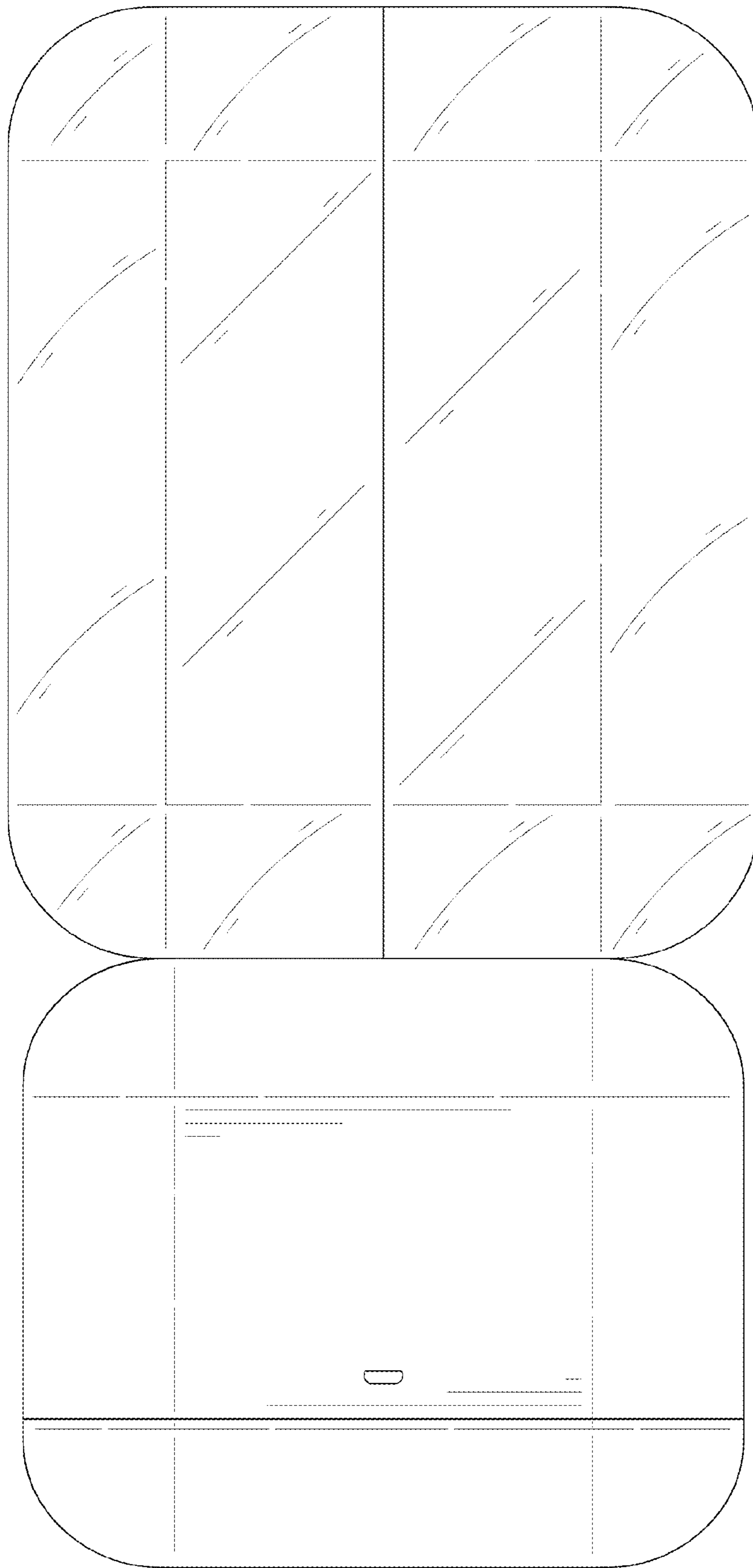


FIG. 4

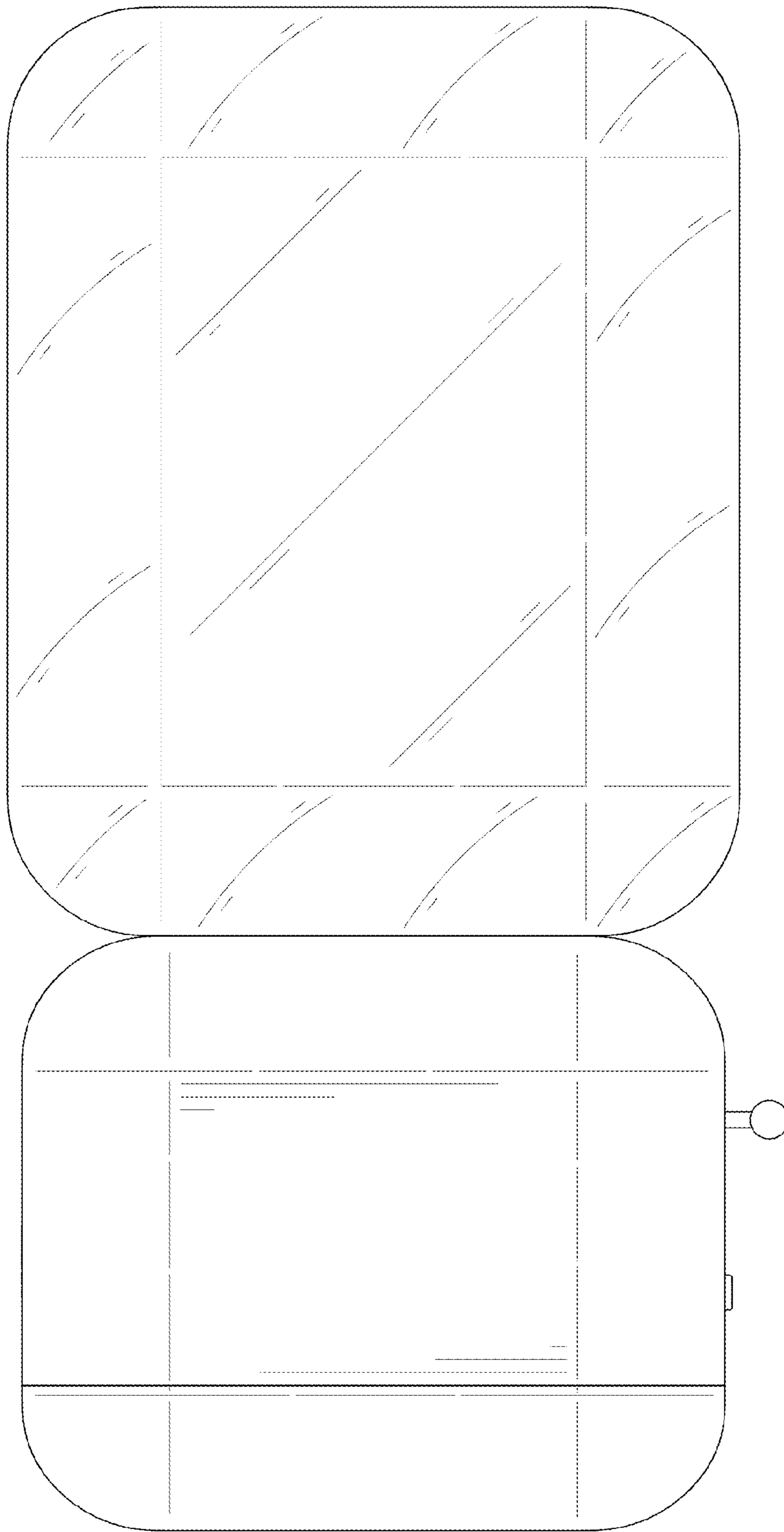


FIG. 5

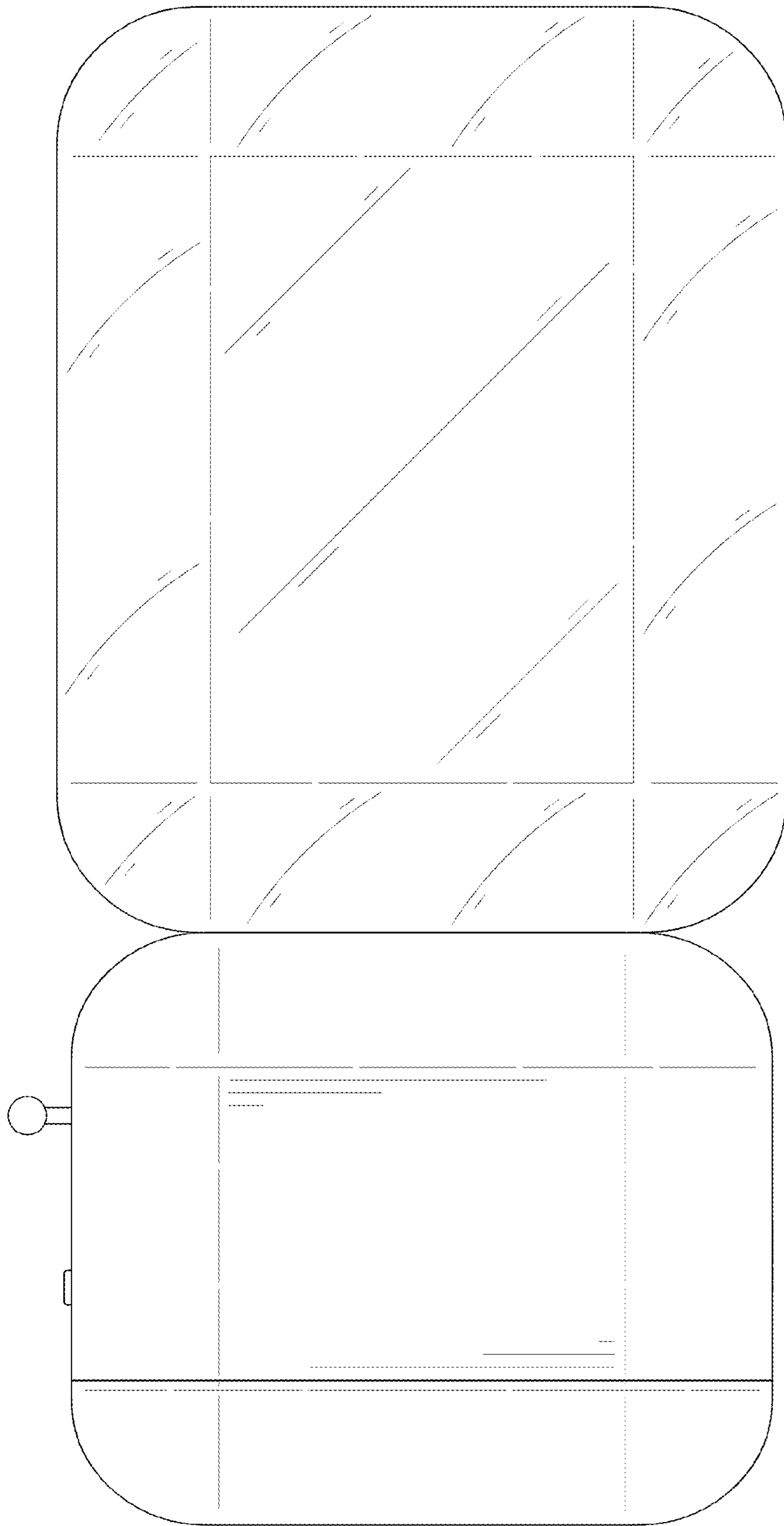


FIG. 6

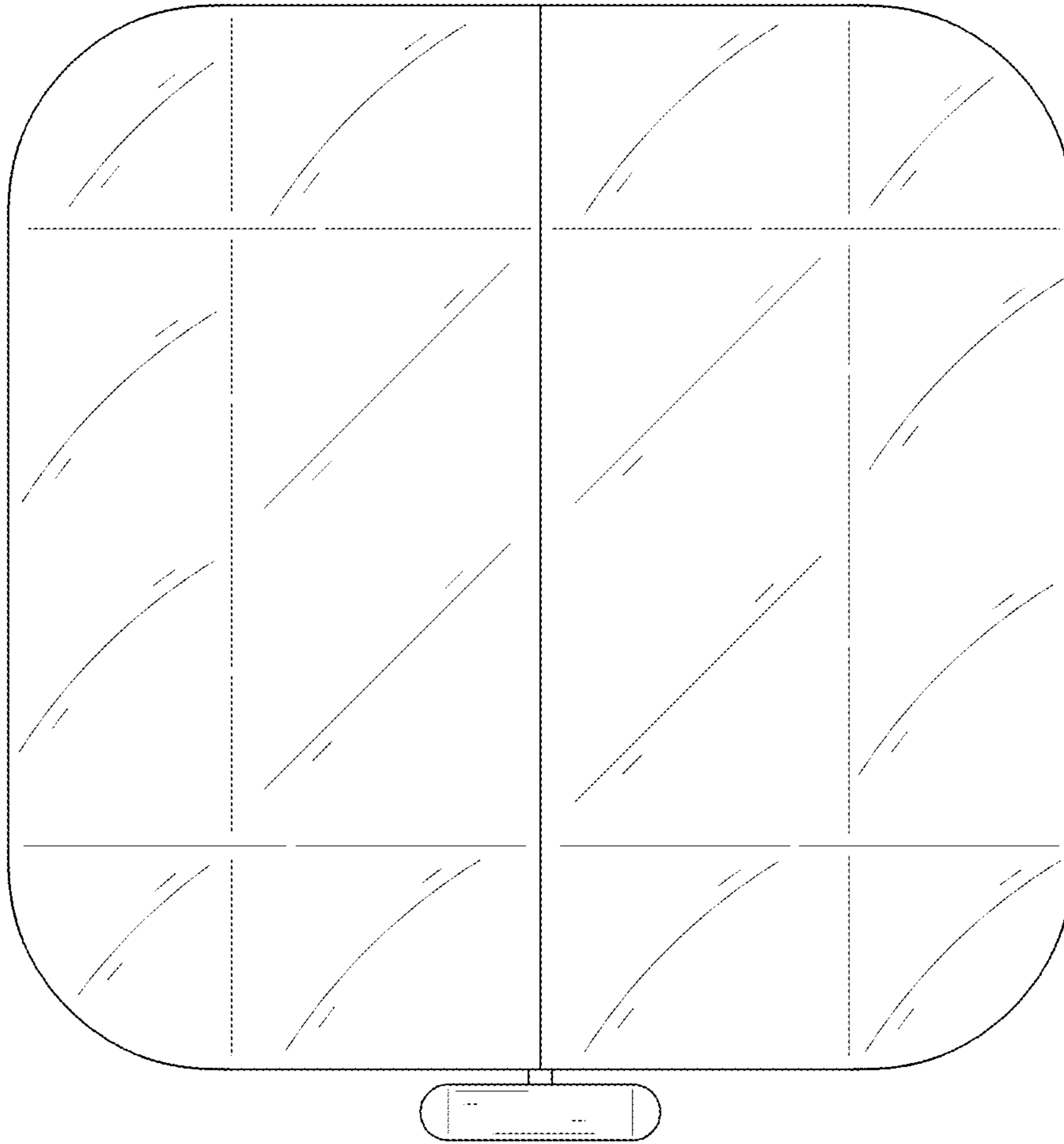


FIG. 7

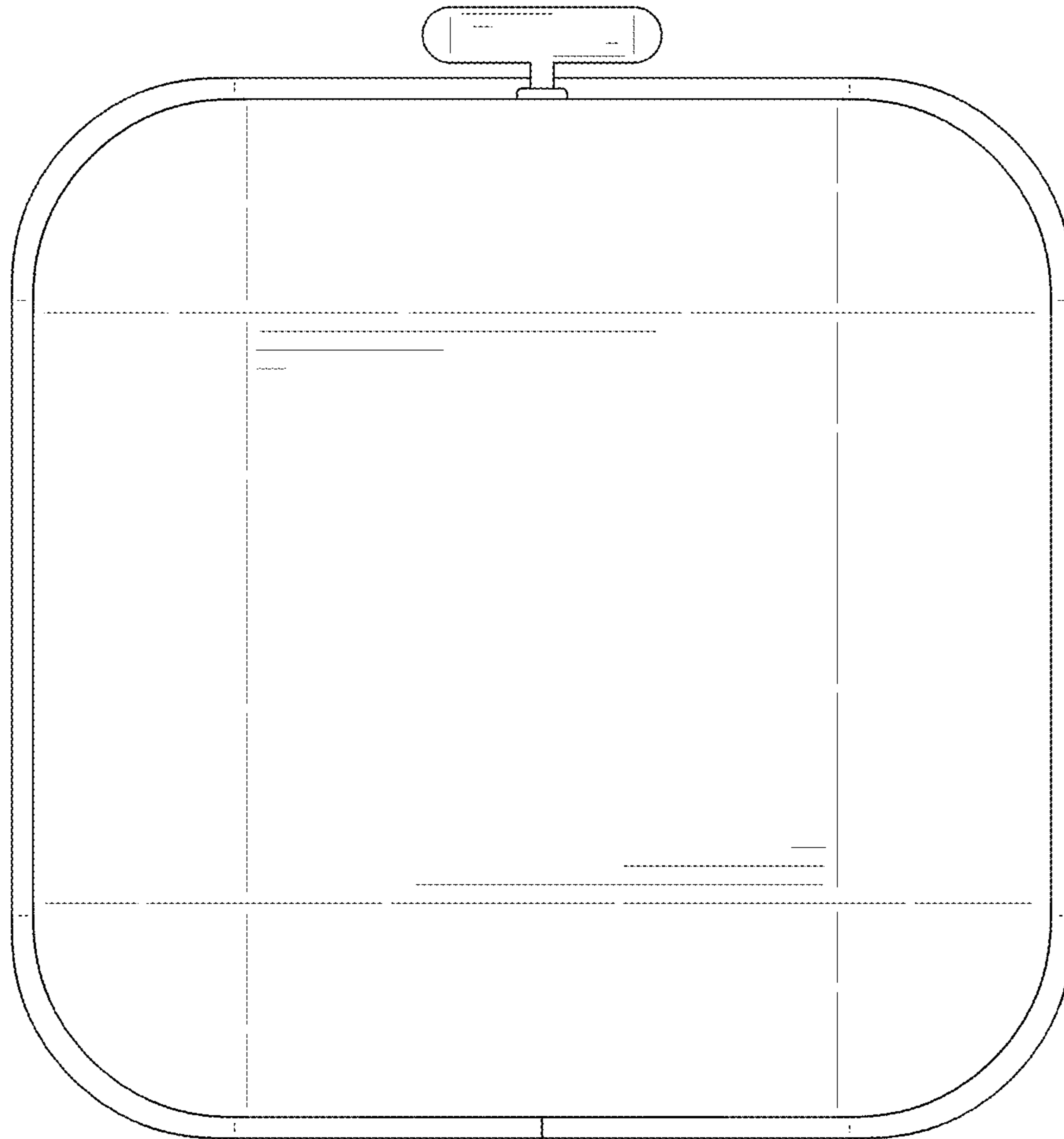


FIG. 8