



US00D914951S

(12) **United States Design Patent**
Lin

(10) **Patent No.:** **US D914,951 S**
(45) **Date of Patent:** **** Mar. 30, 2021**

(54) **DESK LAMP**

(71) Applicant: **Xiaodong Lin**, Shenzhen (CN)

(72) Inventor: **Xiaodong Lin**, Shenzhen (CN)

(**) Term: **15 Years**

(21) Appl. No.: **29/751,307**

(22) Filed: **Sep. 21, 2020**

(51) **LOC (13) Cl.** **26-03**

(52) **U.S. Cl.**
USPC **D26/101**

(58) **Field of Classification Search**
USPC D26/93, 94, 101, 107, 108; D11/118,
D11/158

CPC .. F21S 6/00; F21S 6/002; A41G 1/007; F21V
1/24; F21V 1/00; F21V 1/02; F21V 1/12;
F21V 1/20; F21V 1/22

See application file for complete search history.

(56) **References Cited**

U.S. PATENT DOCUMENTS

5,962,088 A * 10/1999 Tanaka A41G 1/007
428/18

D505,638 S * 5/2005 Tabor D11/118

D507,989 S * 8/2005 Lamb D11/118
D744,151 S * 11/2015 Wu D26/101
D790,108 S 6/2017 Starck
D869,055 S 12/2019 Anastassiades
D898,270 S * 10/2020 Shao D26/101

* cited by examiner

Primary Examiner — Brian N. Vinson

(57) **CLAIM**

The ornamental design for a desk lamp, as shown and described.

DESCRIPTION

FIG. 1 is a perspective view of a desk lamp showing my new design;

FIG. 2 is another perspective view thereof;

FIG. 3 is a front elevational view thereof;

FIG. 4 is a rear elevational view thereof;

FIG. 5 is a left side elevational view thereof;

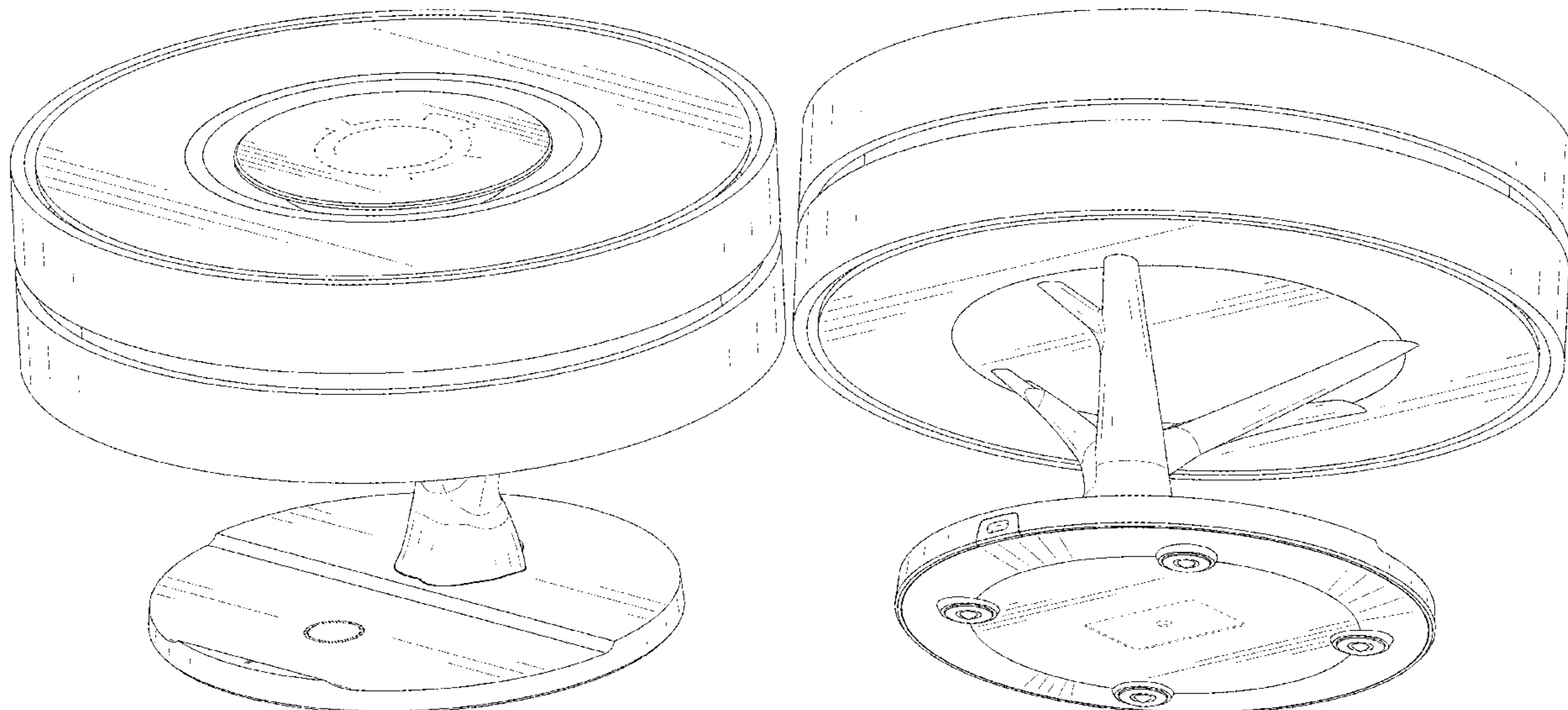
FIG. 6 is a right side elevational view thereof;

FIG. 7 is a top plan view thereof; and,

FIG. 8 is a bottom plan view thereof.

The broken lines in the drawings depict portions of the desk lamp that form no part of the claimed design.

1 Claim, 8 Drawing Sheets



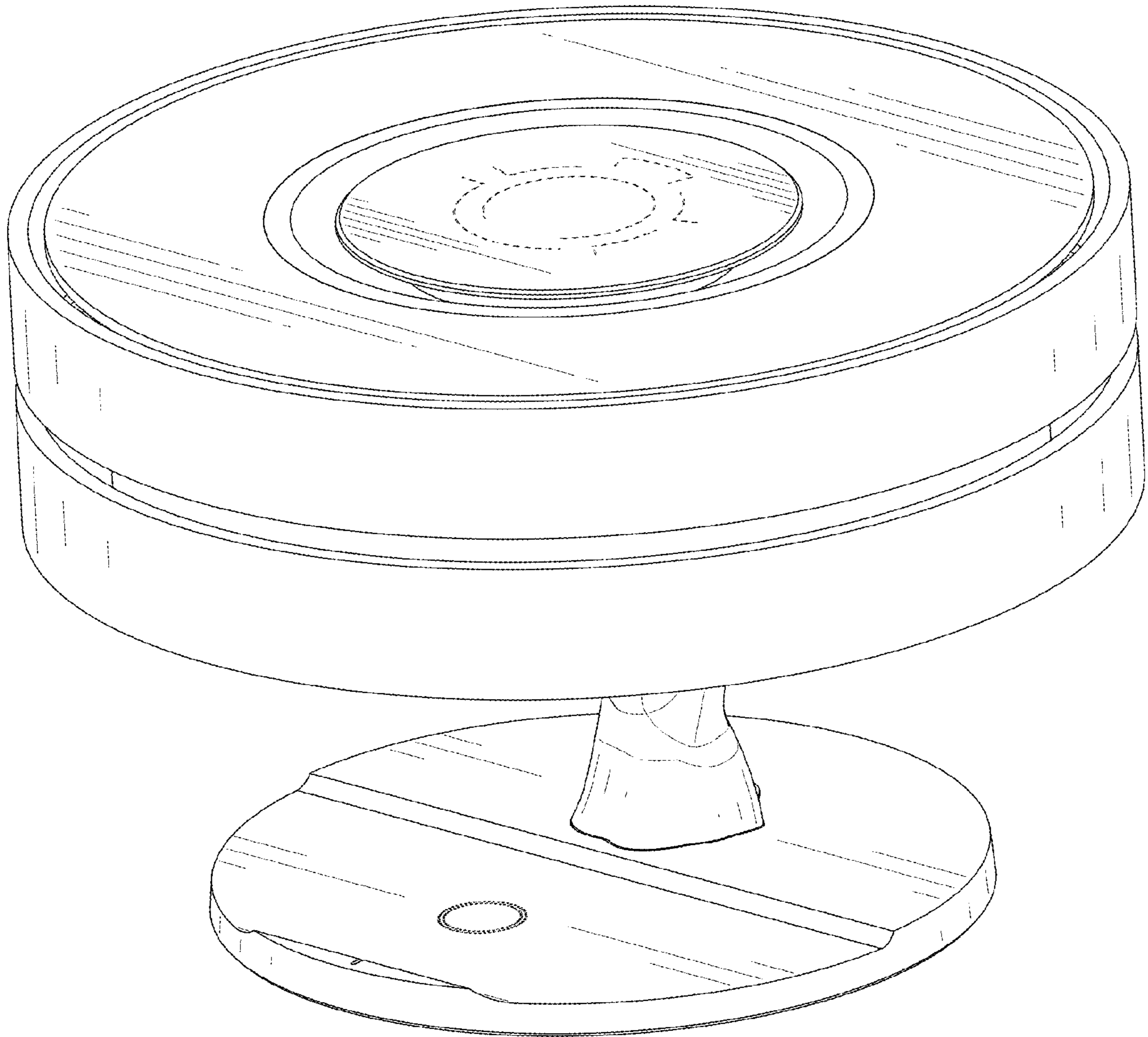


FIG. 1

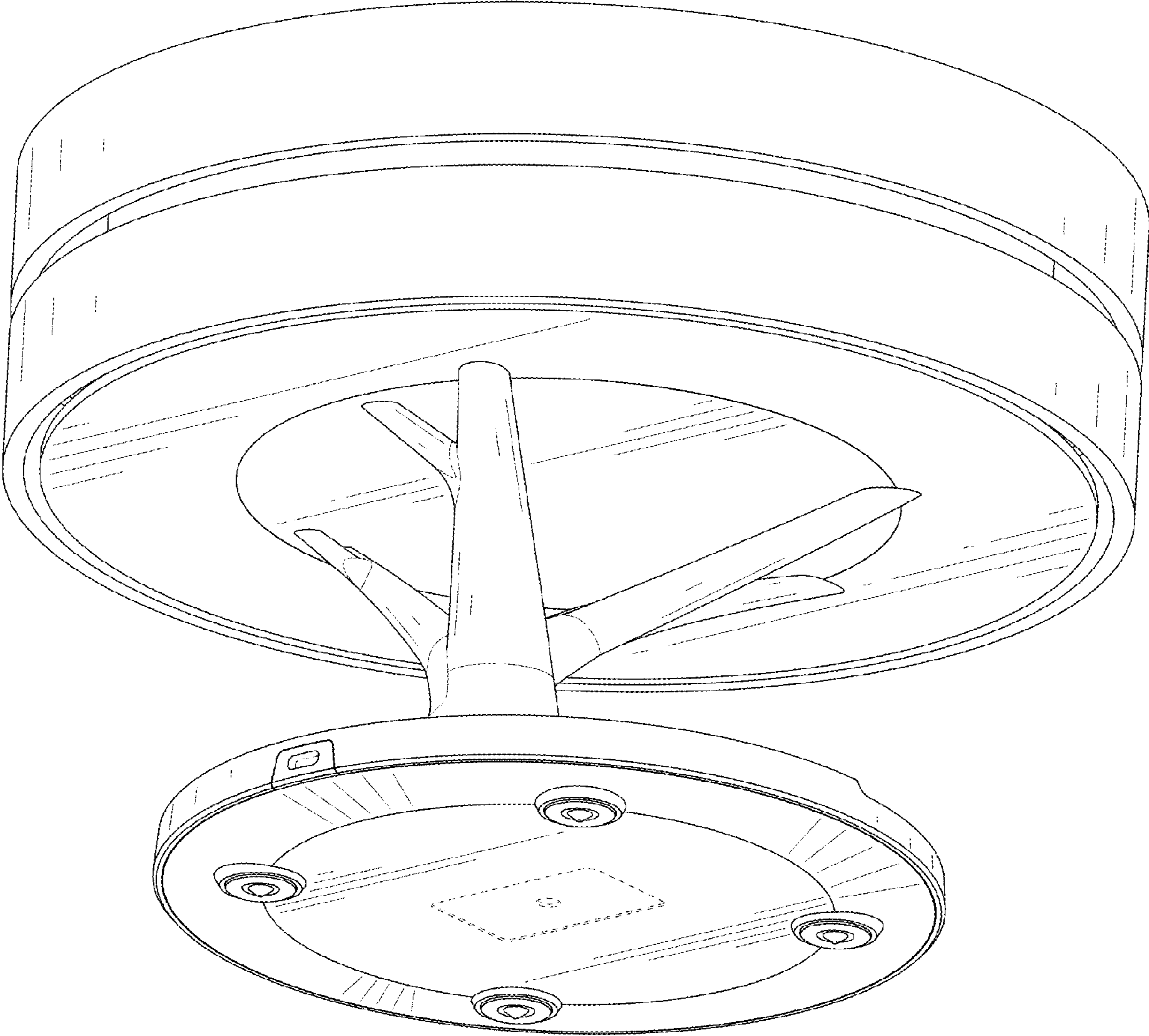


FIG. 2

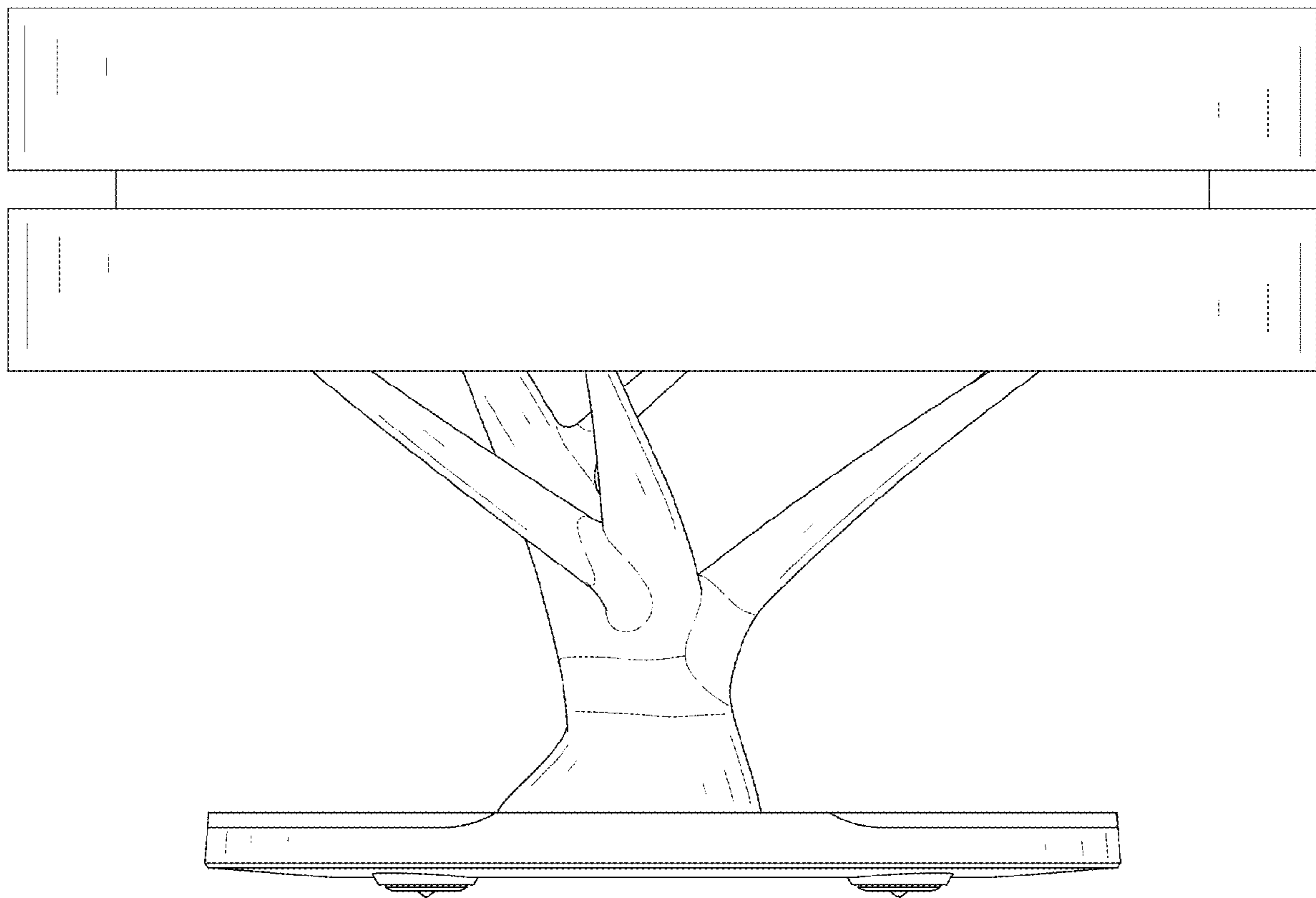


FIG. 3

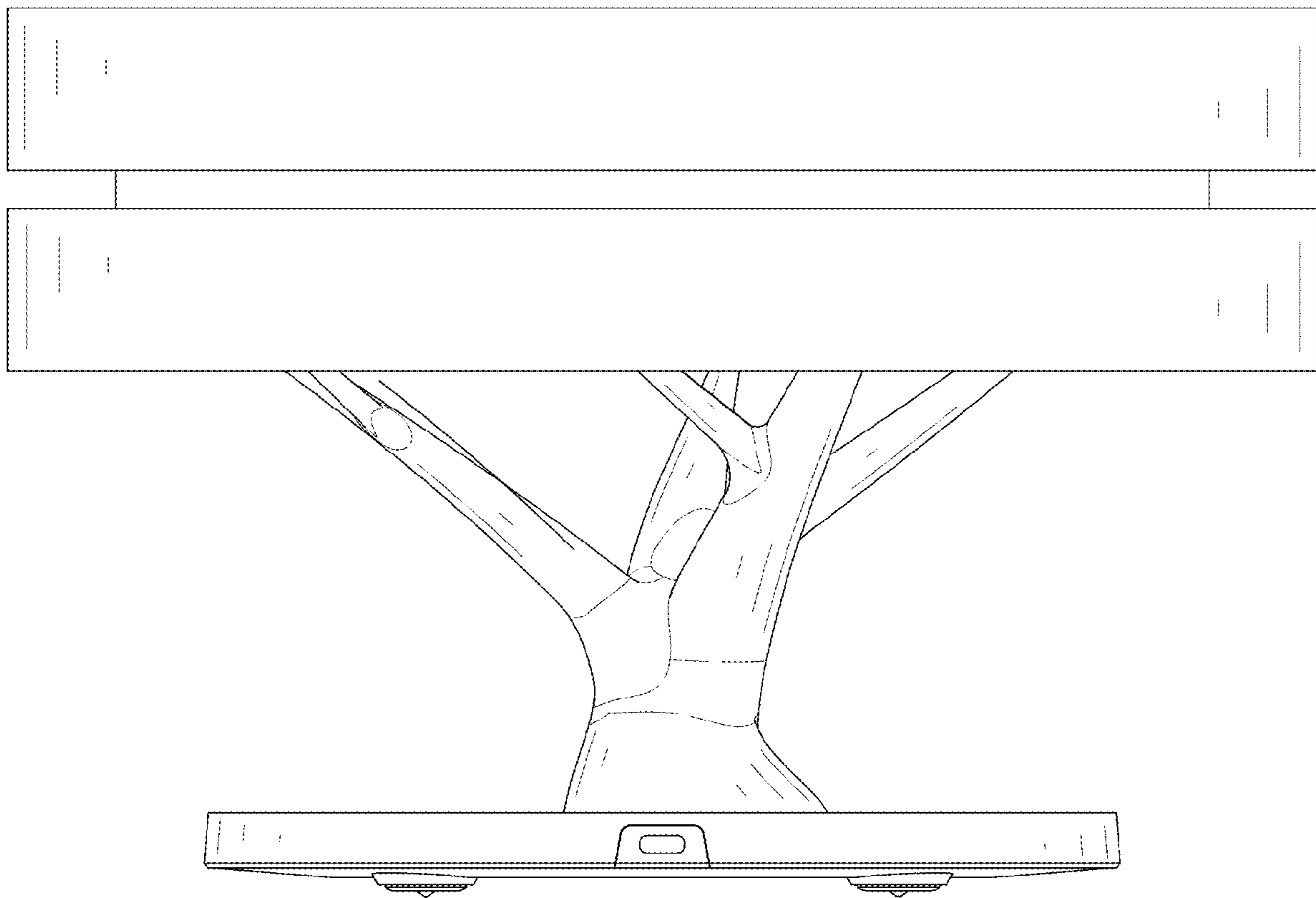


FIG. 4

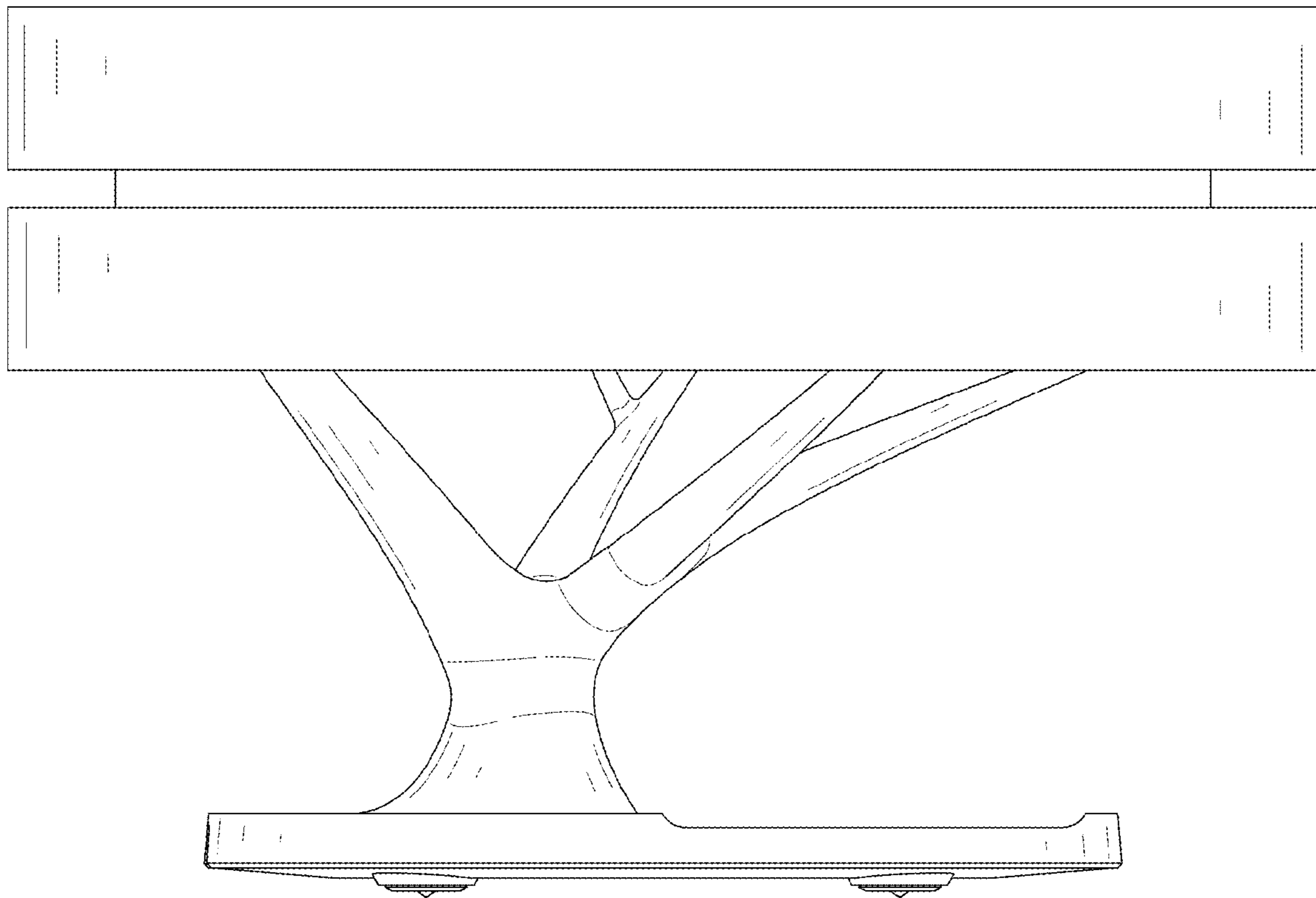


FIG. 5

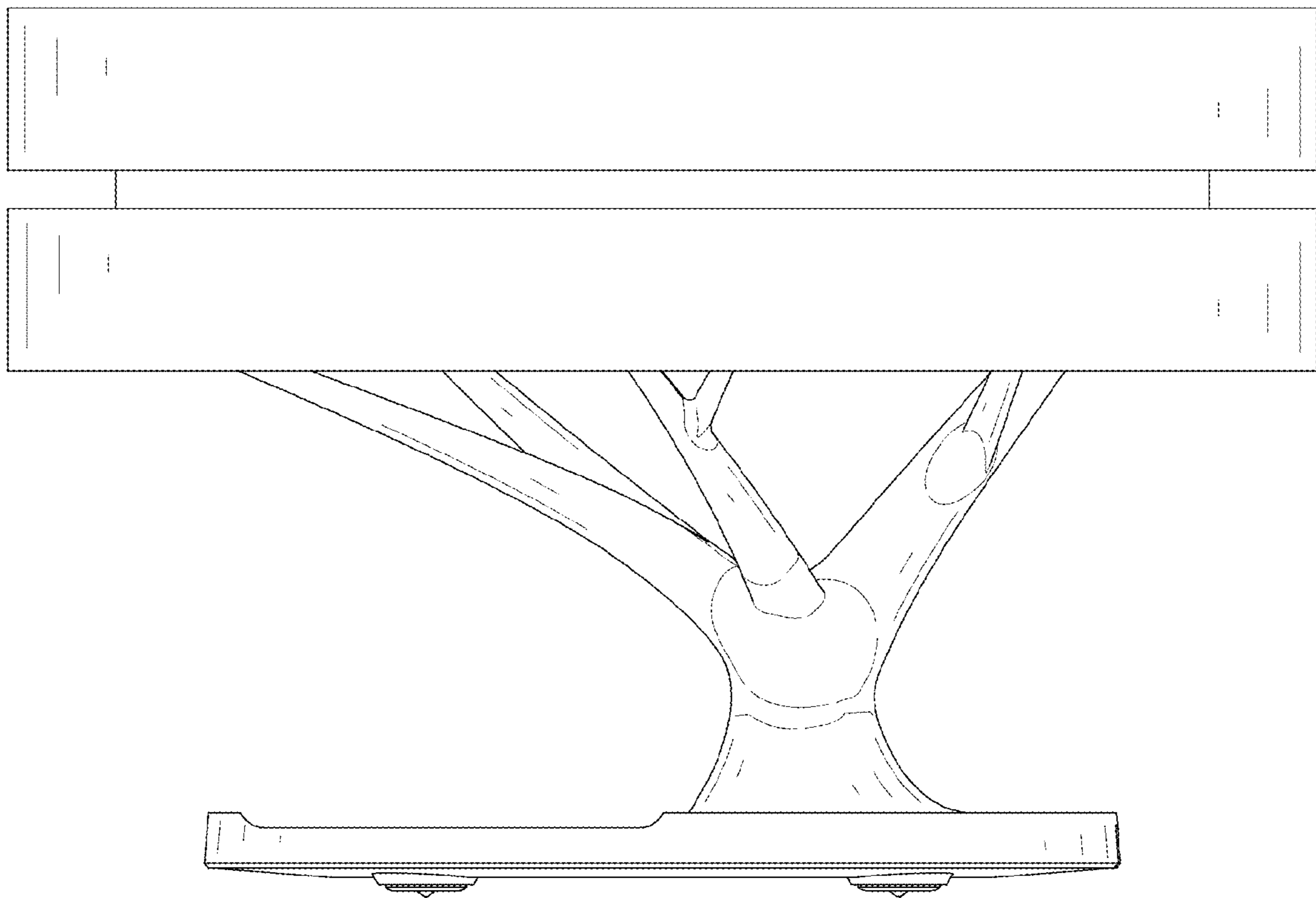


FIG. 6

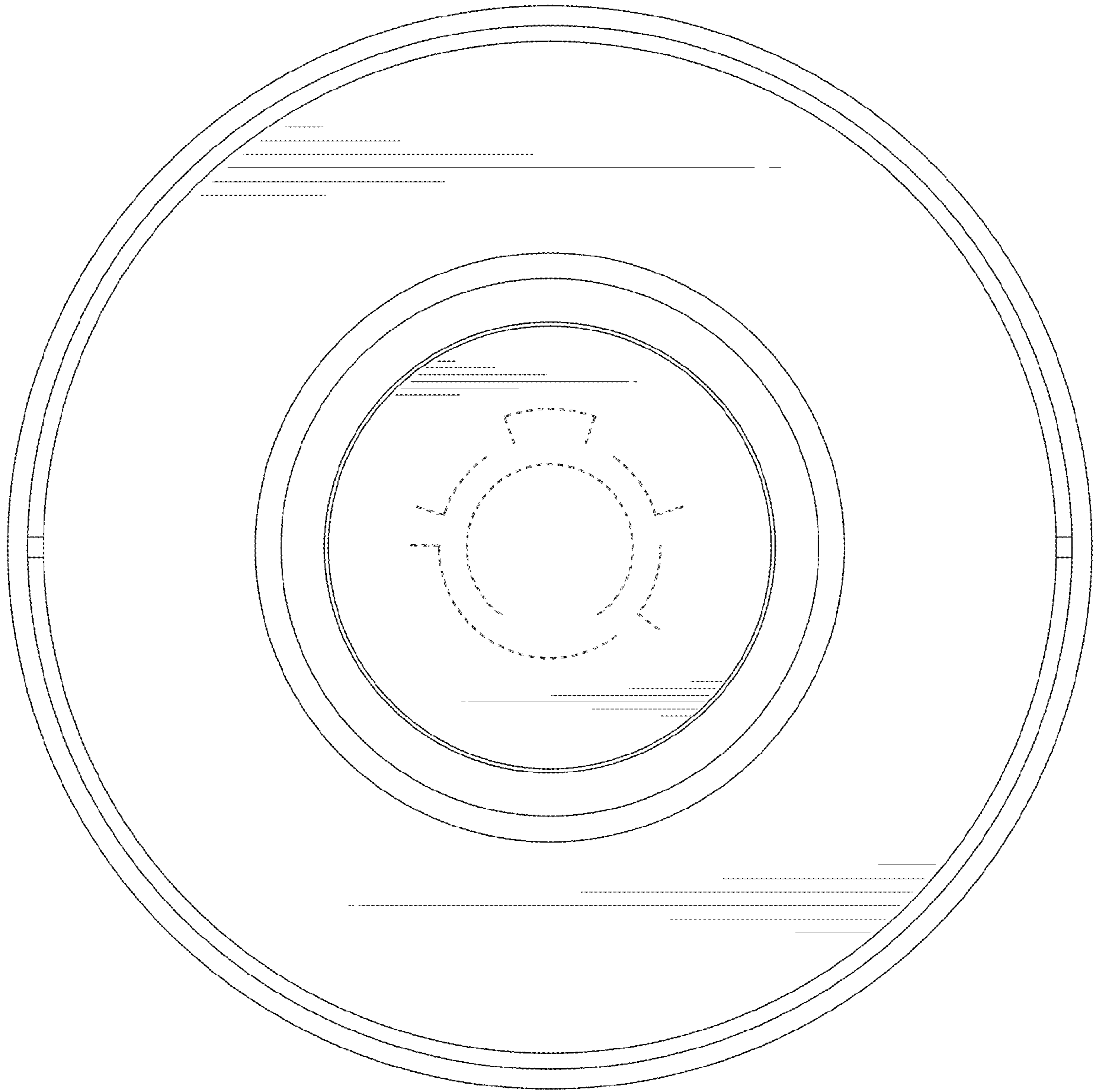


FIG. 7

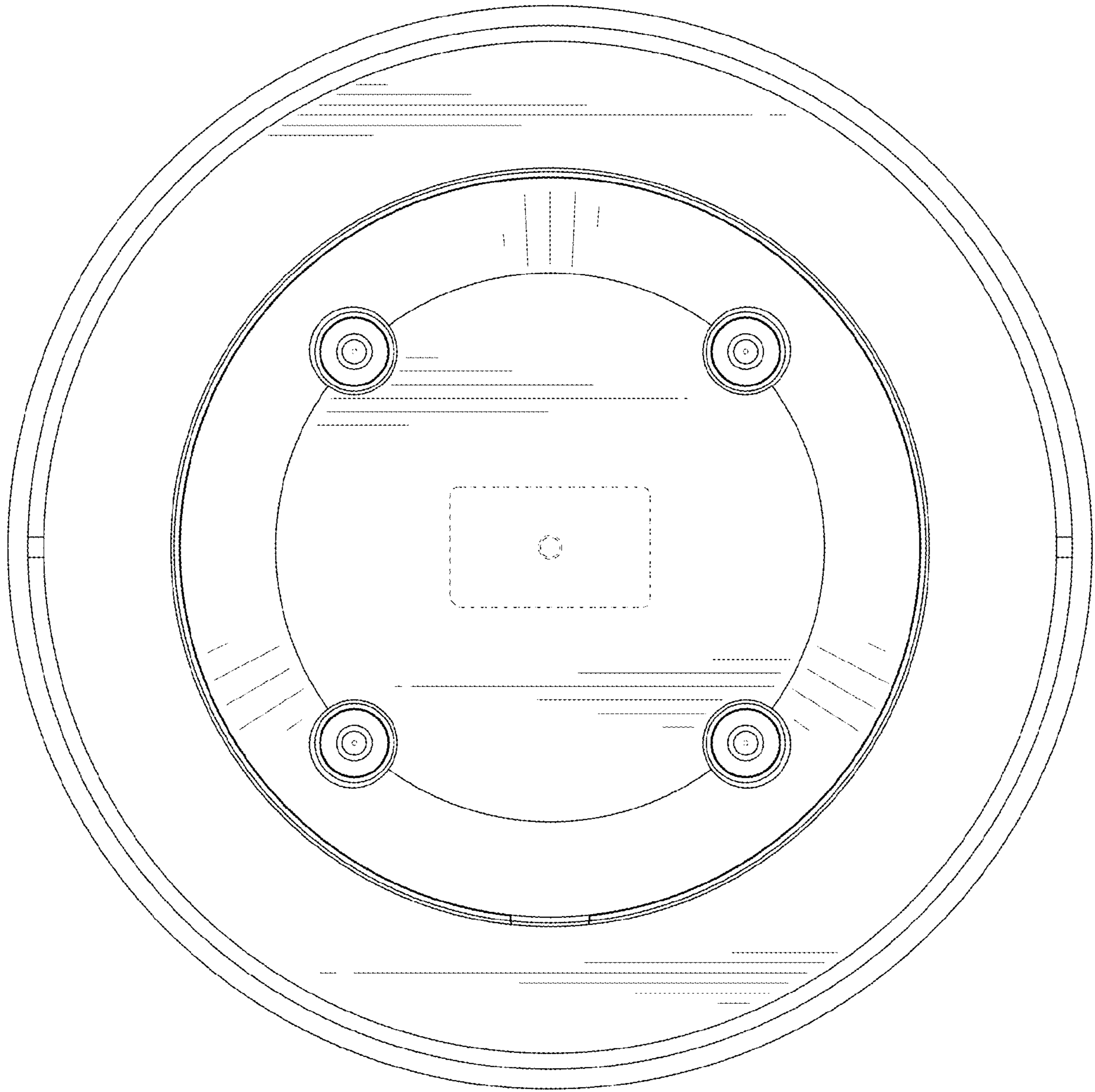


FIG. 8