



US00D914946S

(12) **United States Design Patent**
Siminoff et al.

(10) **Patent No.:** **US D914,946 S**
(45) **Date of Patent:** **** Mar. 30, 2021**

(54) **FLOOD LIGHT**

D713,578 S 9/2014 Chen
D713,581 S 9/2014 Chen
D742,053 S 10/2015 Sussman
D745,201 S 12/2015 Lee

(71) Applicant: **Amazon Technologies, Inc.**, Seattle, WA (US)

(Continued)

(72) Inventors: **Mark Siminoff**, Mountain View, CA (US); **Alexsandra M. Bowers**, Mayfield, OH (US); **Ryan D. Hruska**, North Royalton, OH (US); **Christopher Loew**, Palo Alto, CA (US); **James Siminoff**, Pacific Palisades, CA (US)

FOREIGN PATENT DOCUMENTS

JP D1385931 4/2010
JP D1503391 7/2014

(Continued)

(73) Assignee: **Amazon Technologies, Inc.**, Seattle, WA (US)

OTHER PUBLICATIONS

Taiwanese Office Action dated Apr. 24, 2020 for Taiwanese Patent Application No. 108305696, a counterpart of U.S. Appl. No. 29/684,398, 3 pages.

(Continued)

(**) Term: **15 Years**

Primary Examiner — Brian N. Vinson

(21) Appl. No.: **29/735,251**

(74) *Attorney, Agent, or Firm* — Lee & Hayes, P.C.

(22) Filed: **May 19, 2020**

Related U.S. Application Data

(62) Division of application No. 29/684,398, filed on Mar. 20, 2019, now Pat. No. Des. 888,310.

(51) **LOC (13) Cl.** **26-03**

(52) **U.S. Cl.**
USPC **D26/63**

(58) **Field of Classification Search**
USPC D26/24, 51, 61, 63, 65, 72, 80
CPC F21S 8/04; F21S 8/00; F21V 21/00; F21V 17/02; F21V 14/02; F21V 21/30; F21V 21/14; F21V 21/26; F21W 2131/10
See application file for complete search history.

(56) **References Cited**

U.S. PATENT DOCUMENTS

5,258,899 A 11/1993 Chen
5,649,761 A 7/1997 Sandell et al.
D392,065 S * 3/1998 Morrow D10/106.1
D392,406 S 3/1998 Morrow et al.
D632,414 S 2/2011 Croce

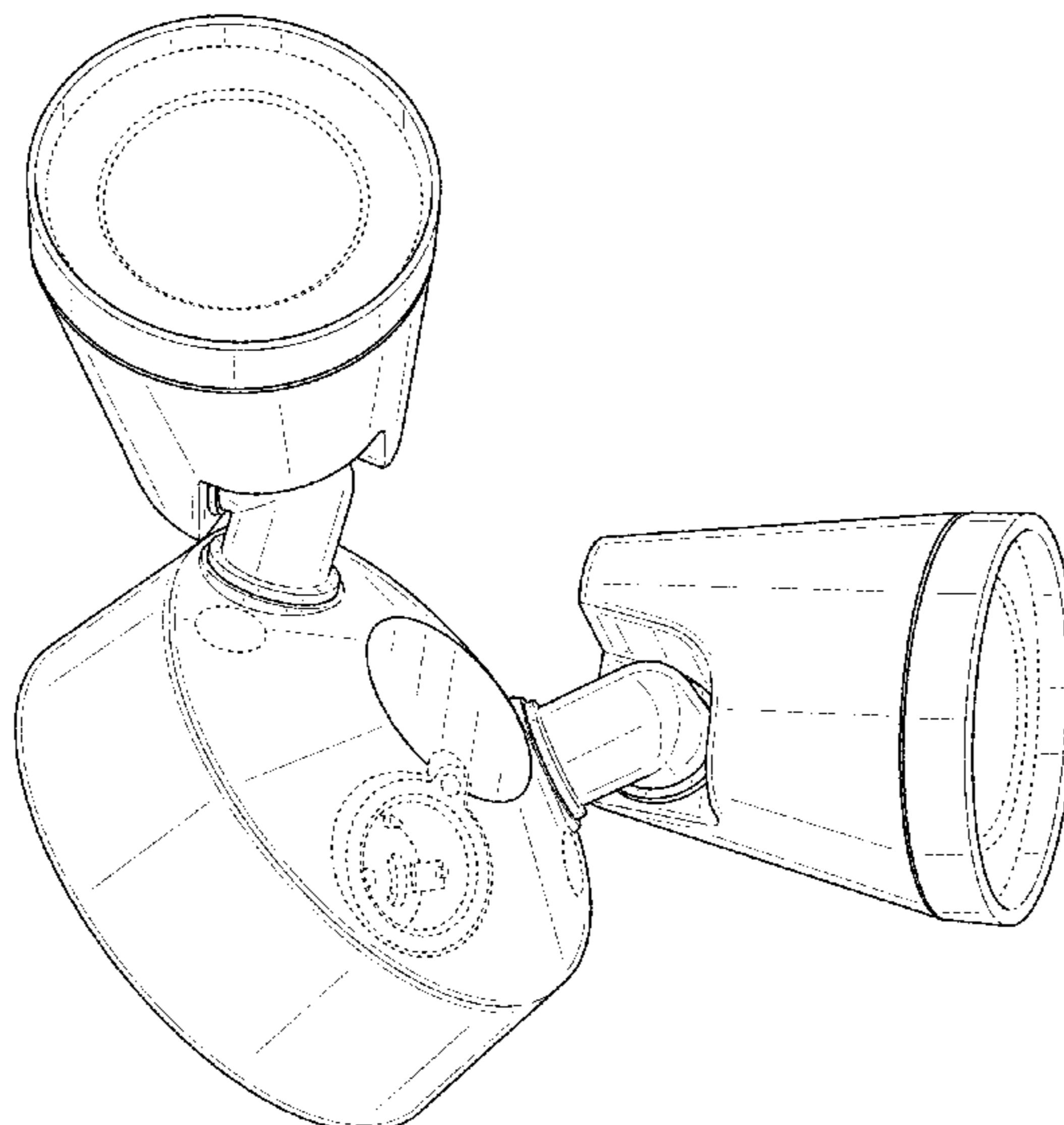
(57) **CLAIM**

The ornamental design for a flood light, as shown and described.

DESCRIPTION

FIG. 1 is a front, left, bottom perspective view of a flood light according to the present design;
FIG. 2 is a back, right, top perspective view thereof;
FIG. 3 is a front, right, top perspective view thereof;
FIG. 4 is a back, left, bottom perspective view thereof;
FIG. 5 is a front elevation view thereof;
FIG. 6 is a back elevation view thereof;
FIG. 7 is a left-side elevation view thereof;
FIG. 8 is a right-side elevation view thereof;
FIG. 9 is a top plan view thereof; and,
FIG. 10 is a bottom plan view thereof.
The dashed lines depict portions of the flood light that form no part of the claimed design.

1 Claim, 10 Drawing Sheets



(56)

References Cited

U.S. PATENT DOCUMENTS

D765,901	S	*	9/2016	Chen	D26/63
D769,499	S		10/2016	Gough		
D810,982	S		2/2018	Liang		
D866,035	S	*	11/2019	Tan	D26/63
D869,038	S	*	12/2019	Recker	D26/63
D869,721	S	*	12/2019	Recker	D26/63
D878,656	S	*	3/2020	Recker	D26/63
D888,310	S	*	6/2020	Siminoff	D26/63
D889,720	S	*	7/2020	Zhu	D26/63
D889,721	S	*	7/2020	Tan	D26/63
D892,379	S	*	8/2020	Recker	D26/63
D894,461	S	*	8/2020	Recker	D26/63
D894,462	S	*	8/2020	Recker	D26/63
D896,424	S	*	9/2020	Wang	D26/63

FOREIGN PATENT DOCUMENTS

TW	D154478	7/2013
TW	D198513	7/2019

OTHER PUBLICATIONS

Taiwanese Office Action dated Apr. 24, 2020 for Taiwanese Patent Application No. 108305697, a counterpart of U.S. Appl. No. 29/684,398, 3 pages.

Taiwanese Office Action dated Apr. 24, 2020 for Taiwanese Patent Application No. 108305698, a counterpart of U.S. Appl. No. 29/684,398, 3 pages.

Taiwanese Office Action dated Apr. 24, 2020 for Taiwanese Patent Application No. 108305699, a counterpart of U.S. Appl. No. 29/684,398, 3 pages.

* cited by examiner

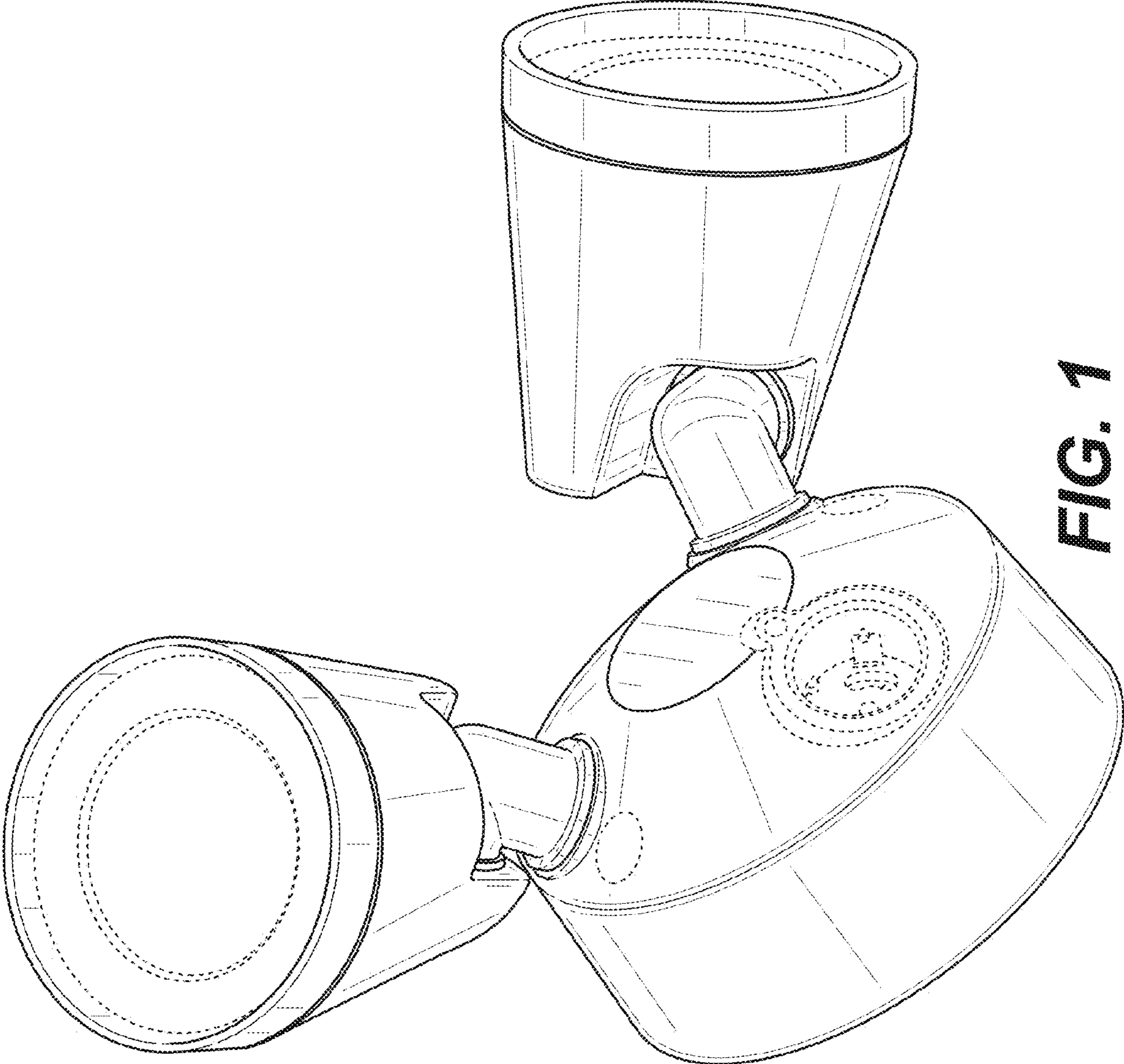


FIG. 1

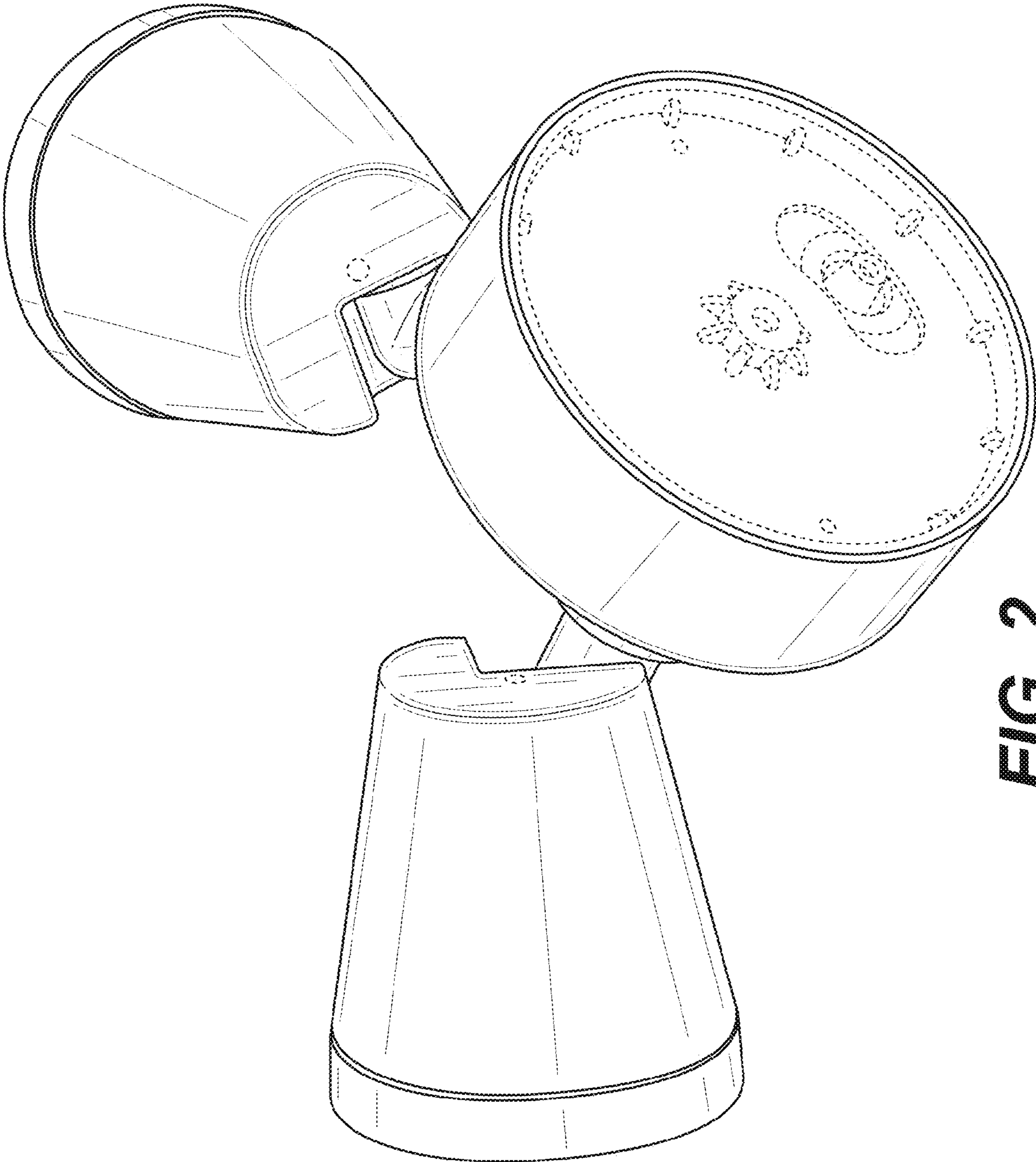


FIG. 2

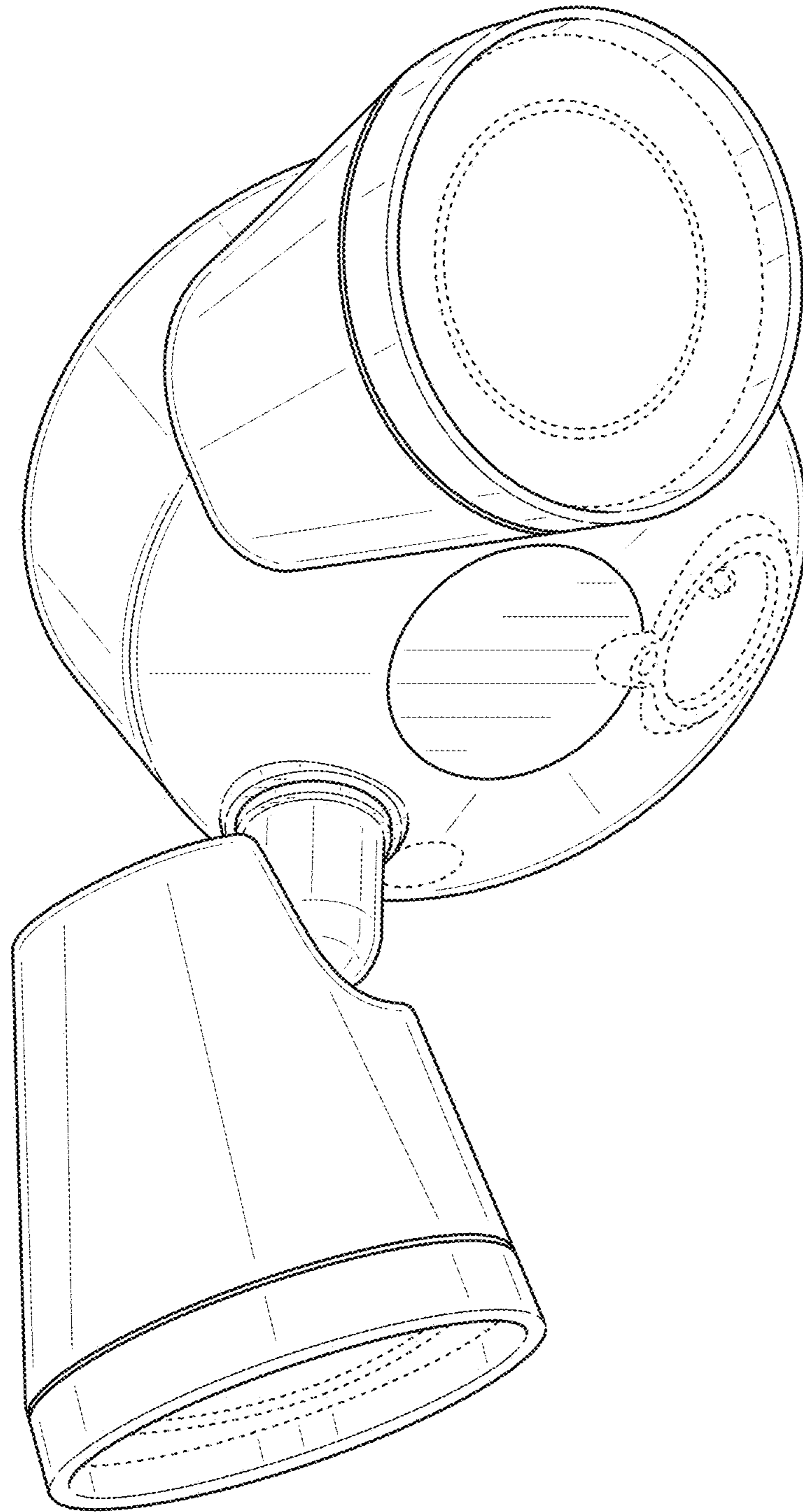


FIG. 3

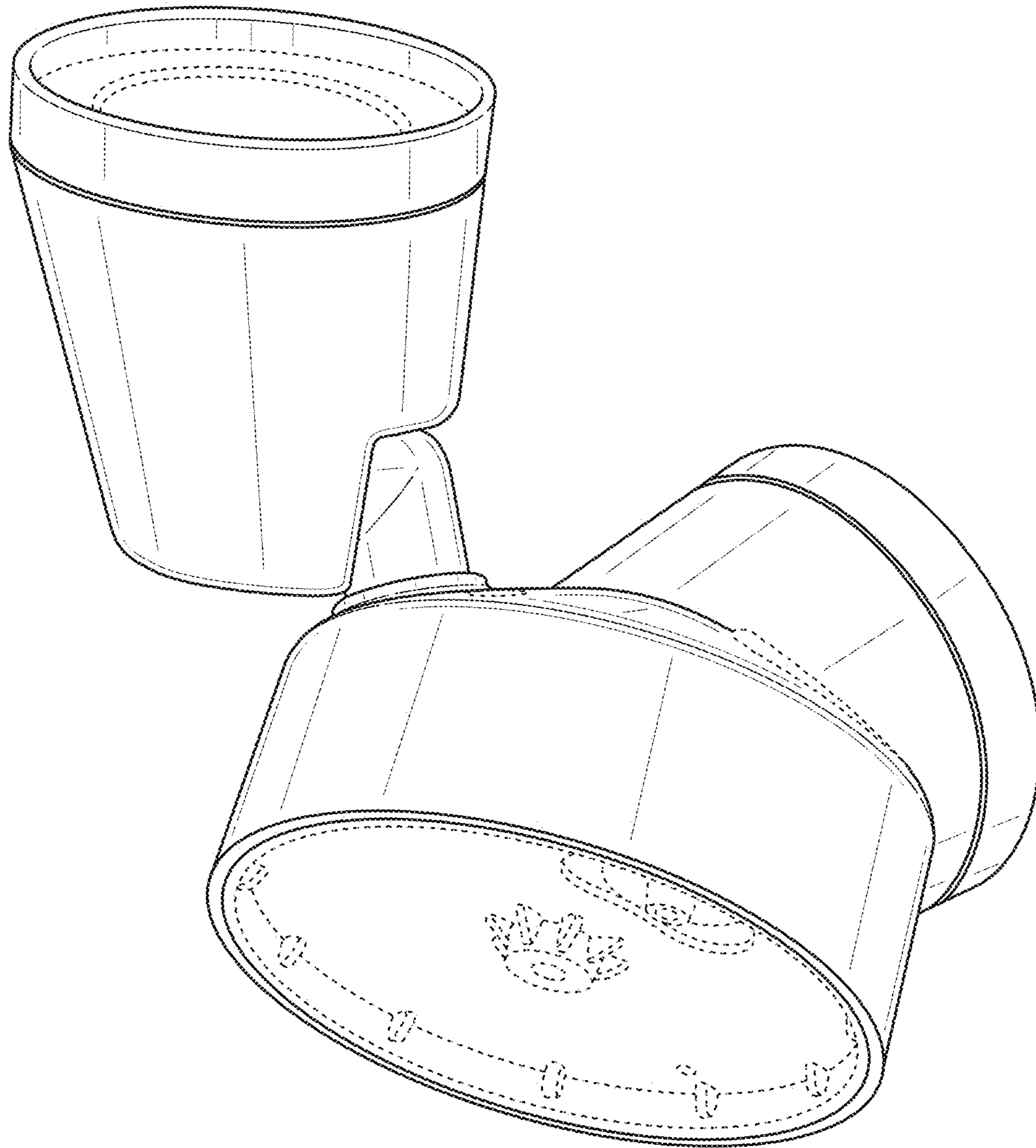


FIG. 4

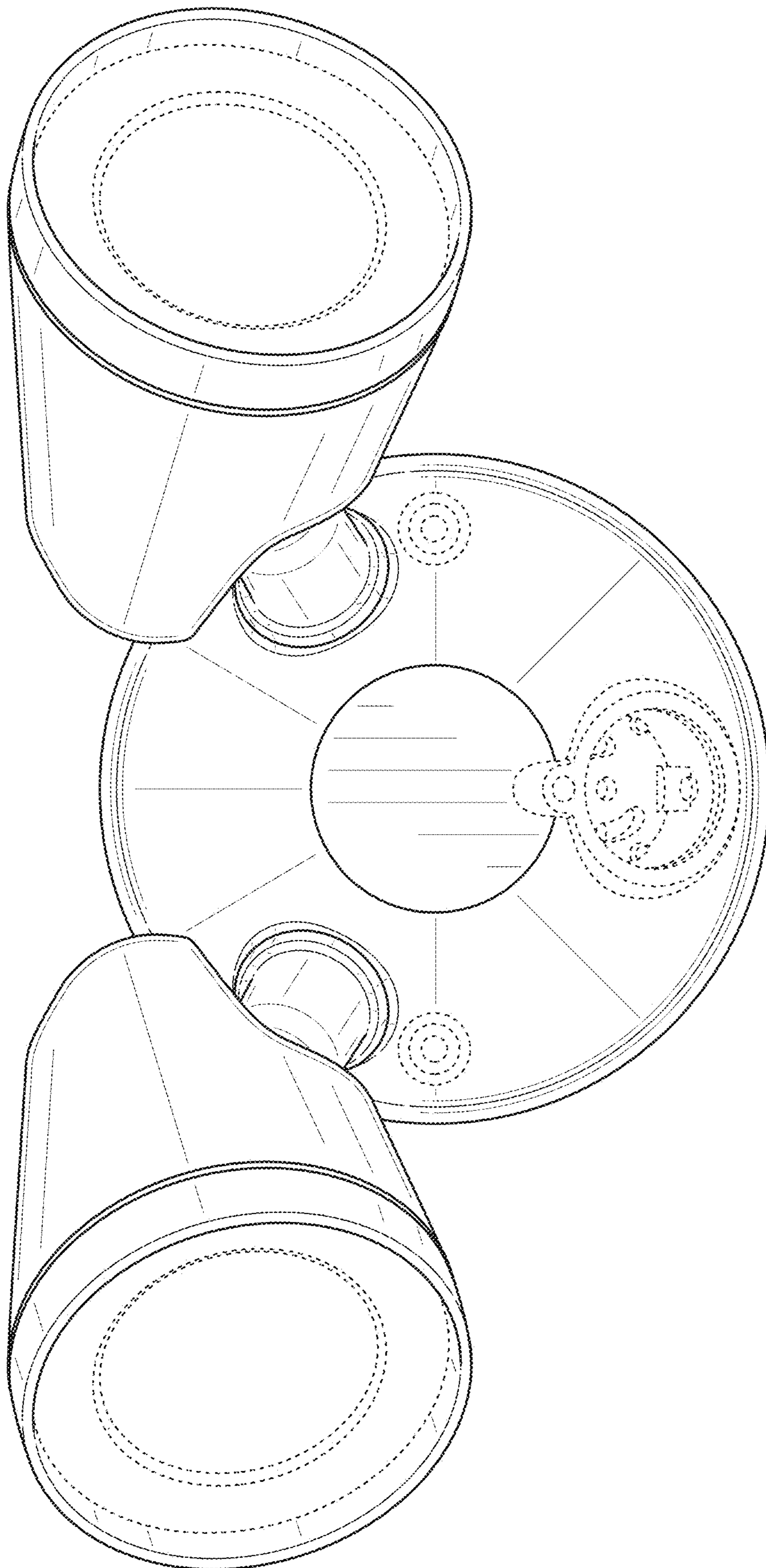


FIG. 5

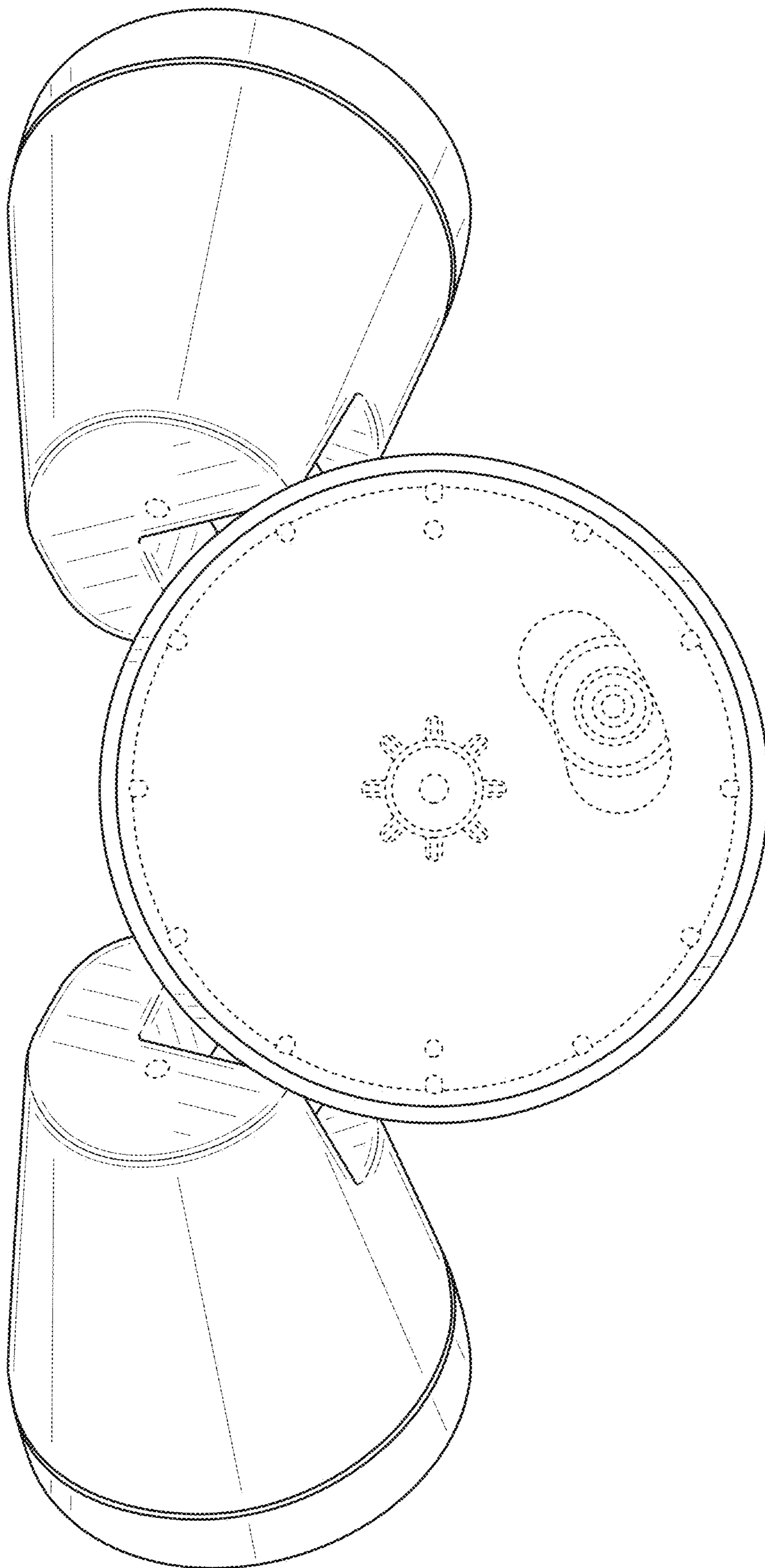


FIG. 6

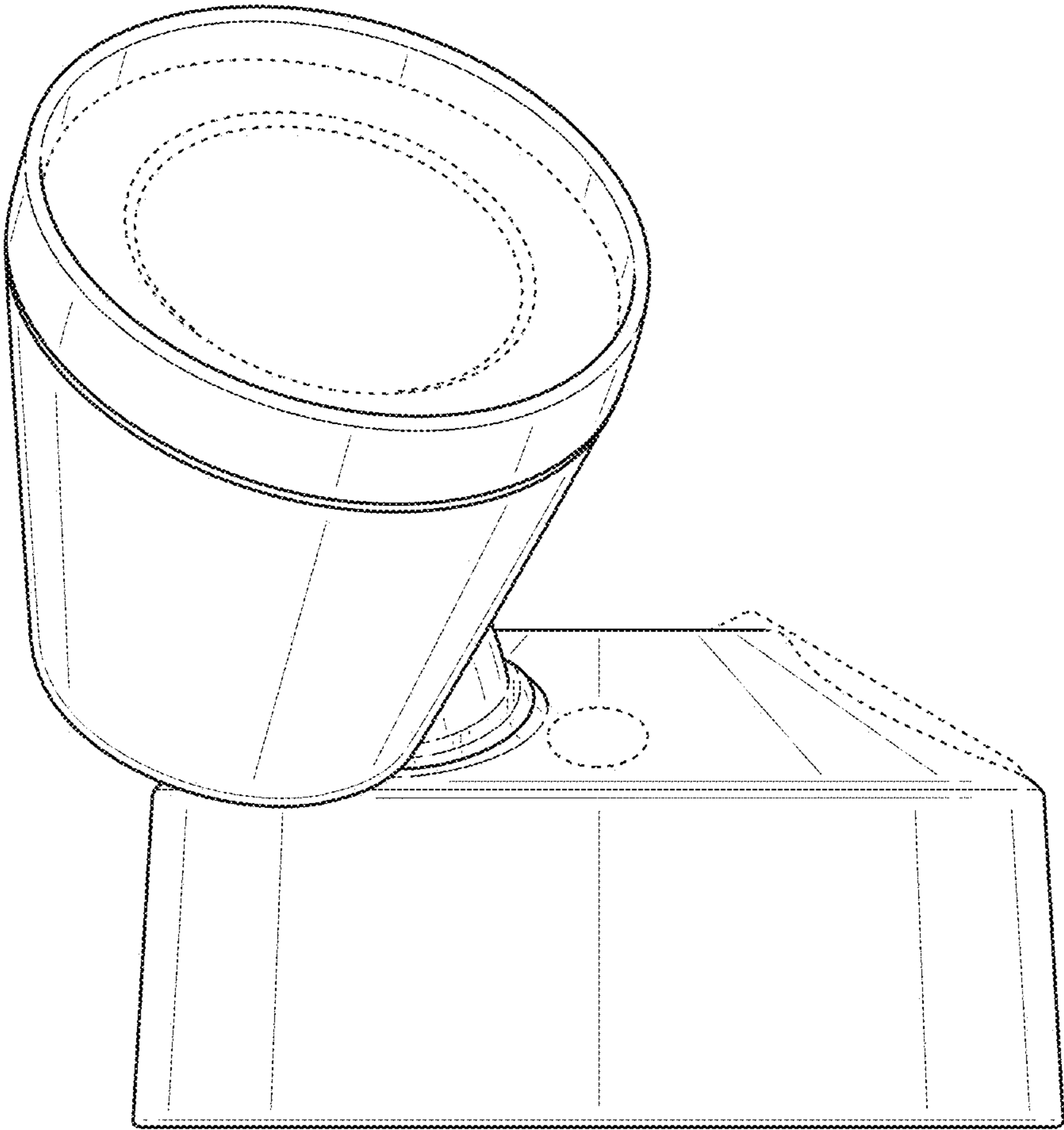


FIG. 7

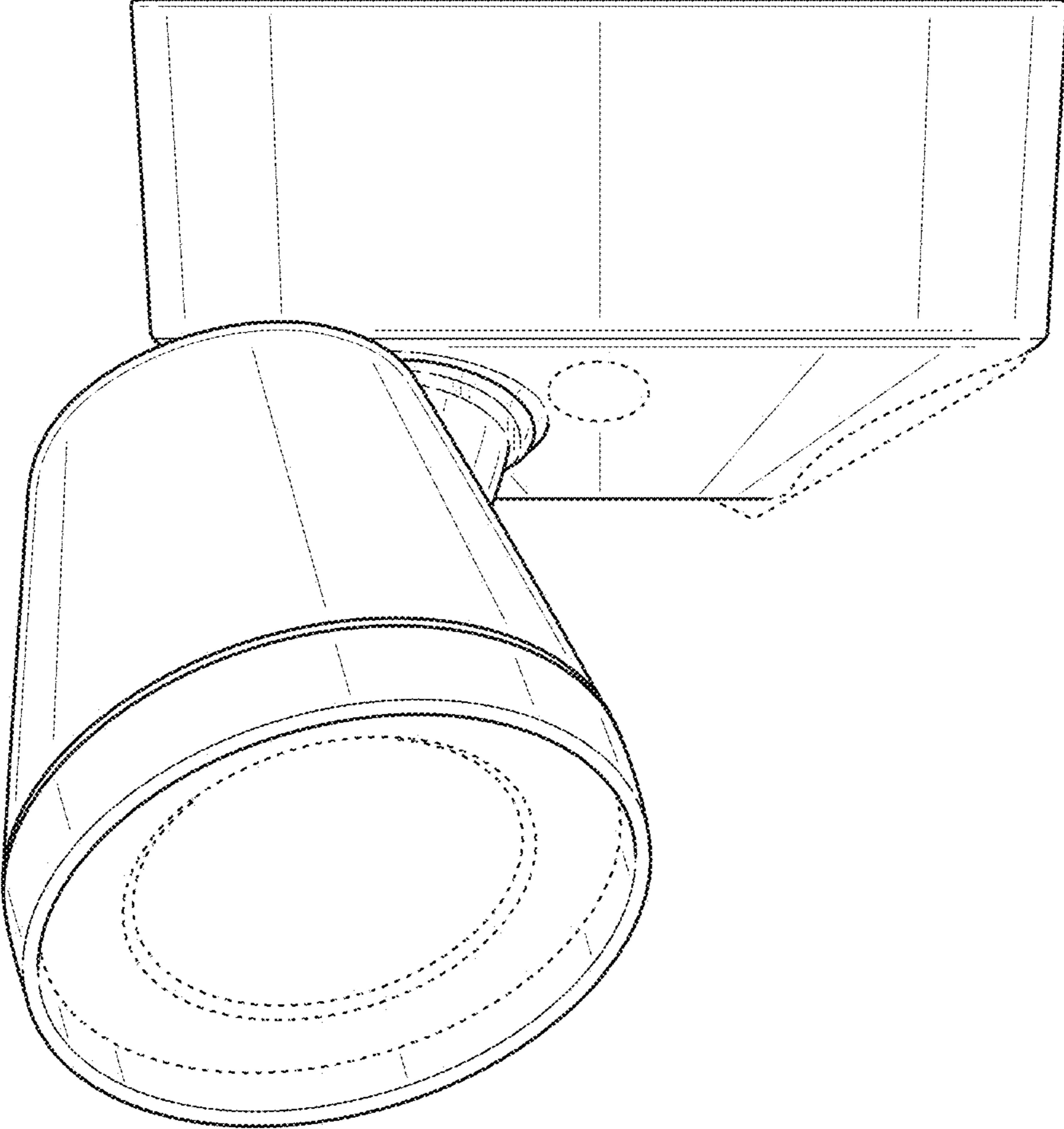


FIG. 8

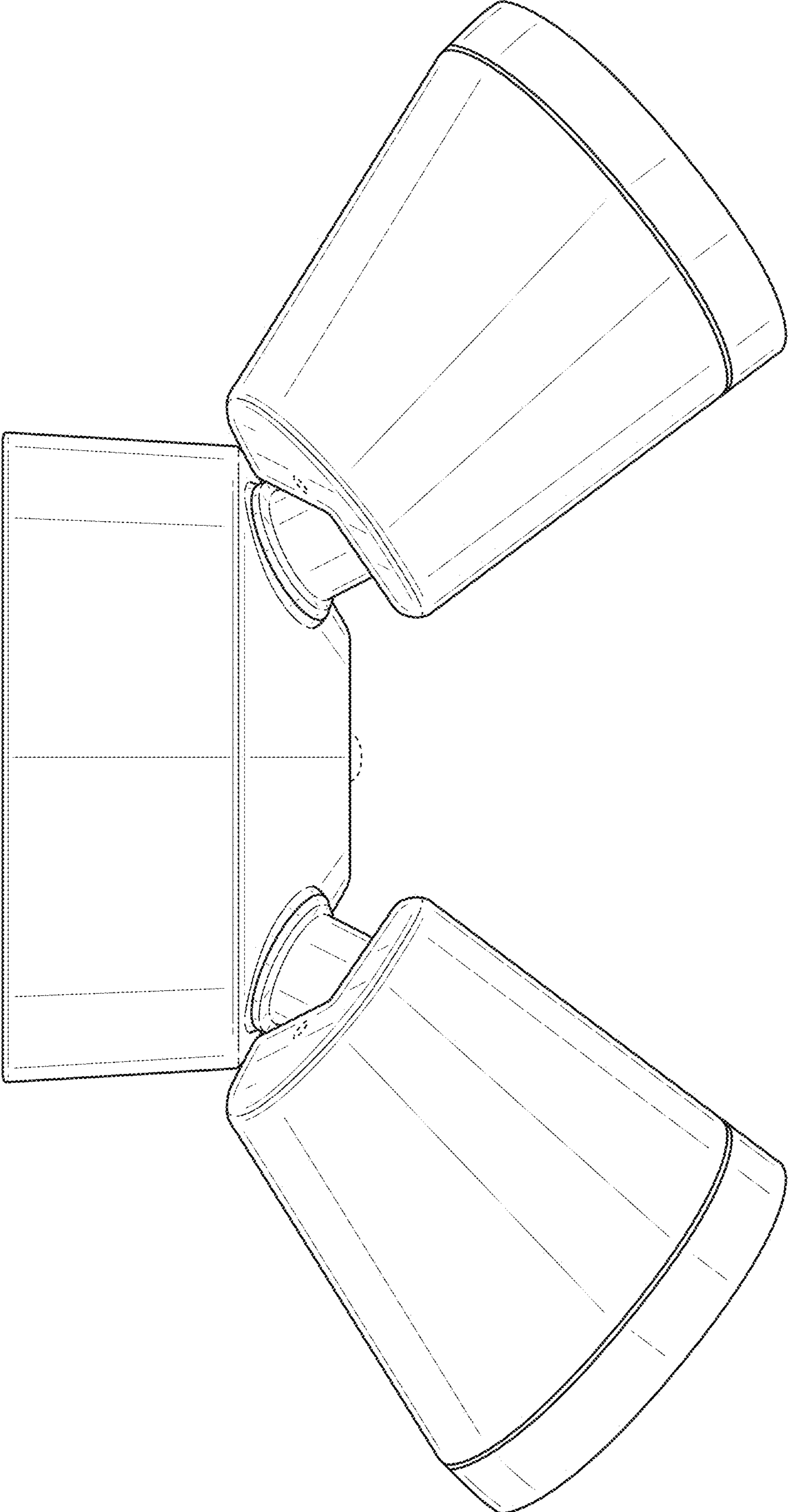


FIG. 9

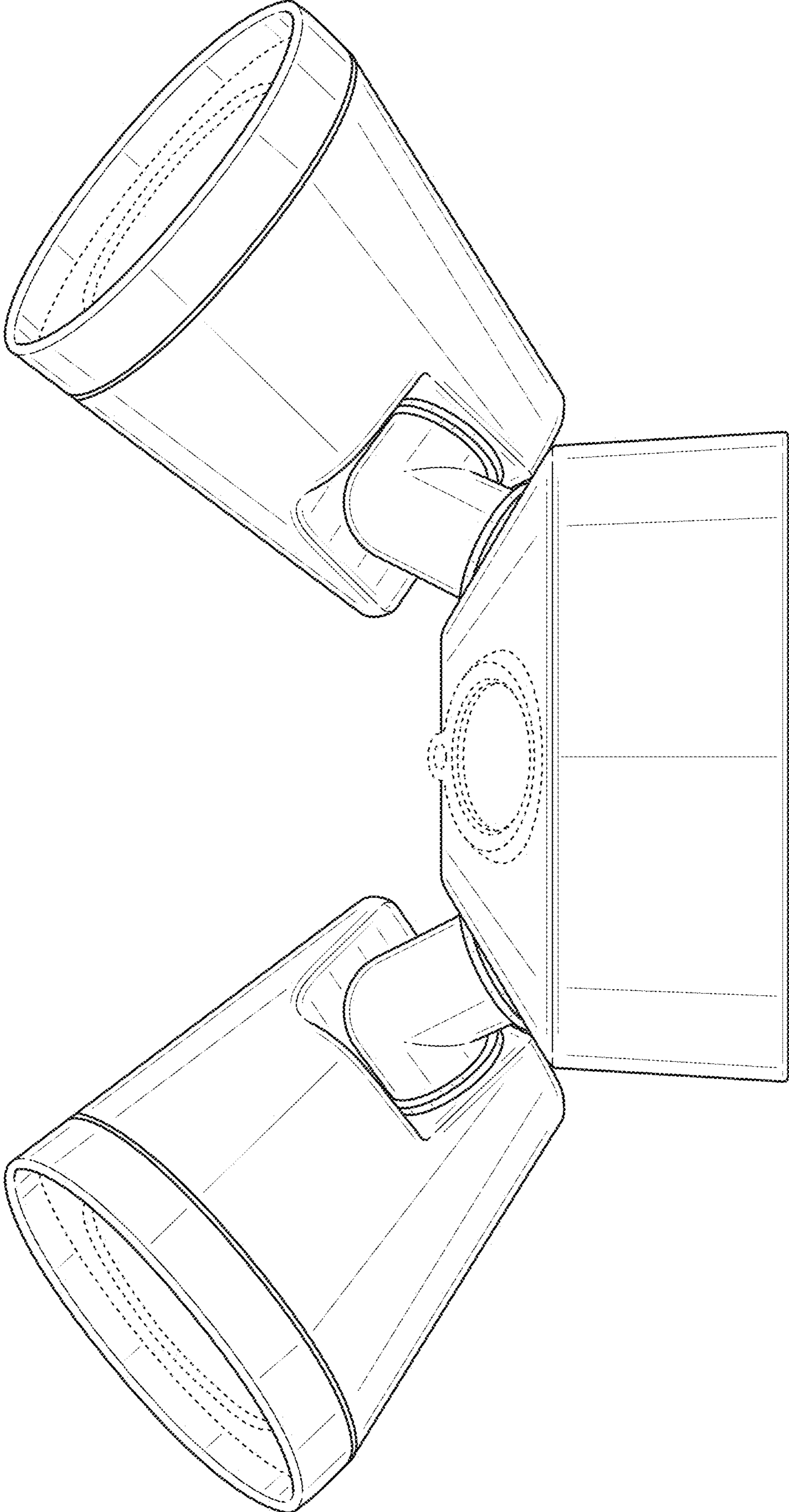


FIG. 10