



US00D914945S

(12) **United States Design Patent**
Wu

(10) **Patent No.:** **US D914,945 S**

(45) **Date of Patent:** **** Mar. 30, 2021**

(54) **LAMP**

(71) Applicant: **Huazhi Wu**, Shenzhen (CN)

(72) Inventor: **Huazhi Wu**, Shenzhen (CN)

(73) Assignee: **Shenzhen Mei Guang Yuan Technology Co., Ltd**, Shenzhen (CN)

(**) Term: **15 Years**

(21) Appl. No.: **29/733,149**

(22) Filed: **Apr. 30, 2020**

(51) **LOC (13) Cl.** **26-03**

(52) **U.S. Cl.**
USPC **D26/63**

(58) **Field of Classification Search**
USPC D26/61, 63
CPC F21V 14/00; F21V 21/00; F21V 21/14;
F21W 2131/10
See application file for complete search history.

(56) **References Cited**

U.S. PATENT DOCUMENTS

D617,931 S * 6/2010 Chen D26/63
D769,508 S * 10/2016 Rosello Gratacos D26/63

D815,769 S * 4/2018 Gong D26/63
D845,530 S * 4/2019 Yu D26/63
D858,841 S * 9/2019 Deng D26/63
D893,074 S * 8/2020 Finocchiaro D26/63
D894,460 S * 8/2020 Yu D26/63
D895,186 S * 9/2020 Merovitz D26/63
2015/0131288 A1 * 5/2015 Zhang F21S 8/00
362/277

* cited by examiner

Primary Examiner — Brian N. Vinson

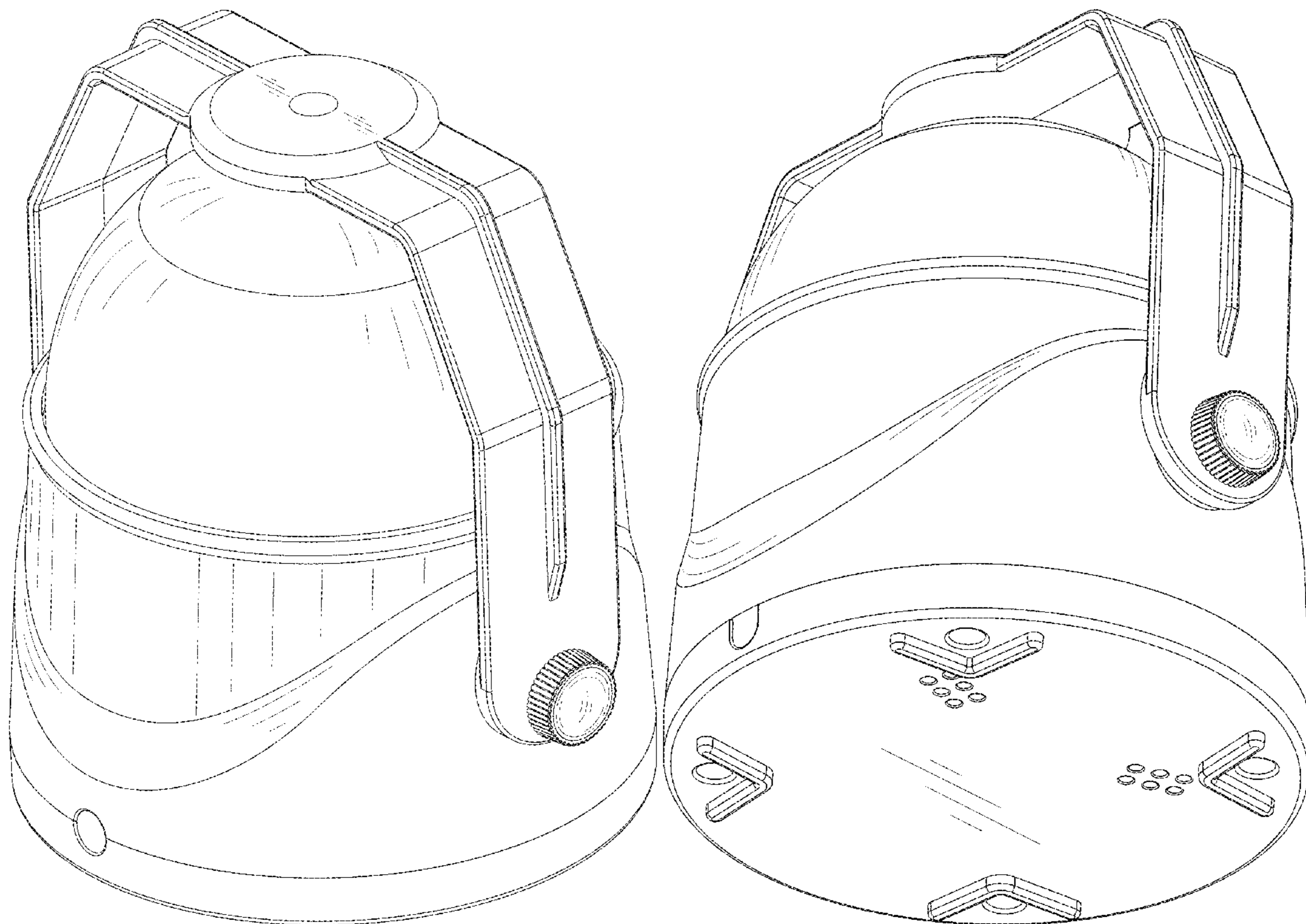
(57) **CLAIM**

The ornamental design for a lamp, as shown and described.

DESCRIPTION

FIG. 1 is a rear, top perspective view of a lamp showing my new design;
FIG. 2 is a front, bottom perspective view thereof;
FIG. 3 is a front elevational view thereof;
FIG. 4 is a rear elevational view thereof;
FIG. 5 is a left side elevational view thereof;
FIG. 6 is a right side elevational view thereof;
FIG. 7 is a top plan view thereof; and,
FIG. 8 is a bottom plan view thereof.

1 Claim, 8 Drawing Sheets



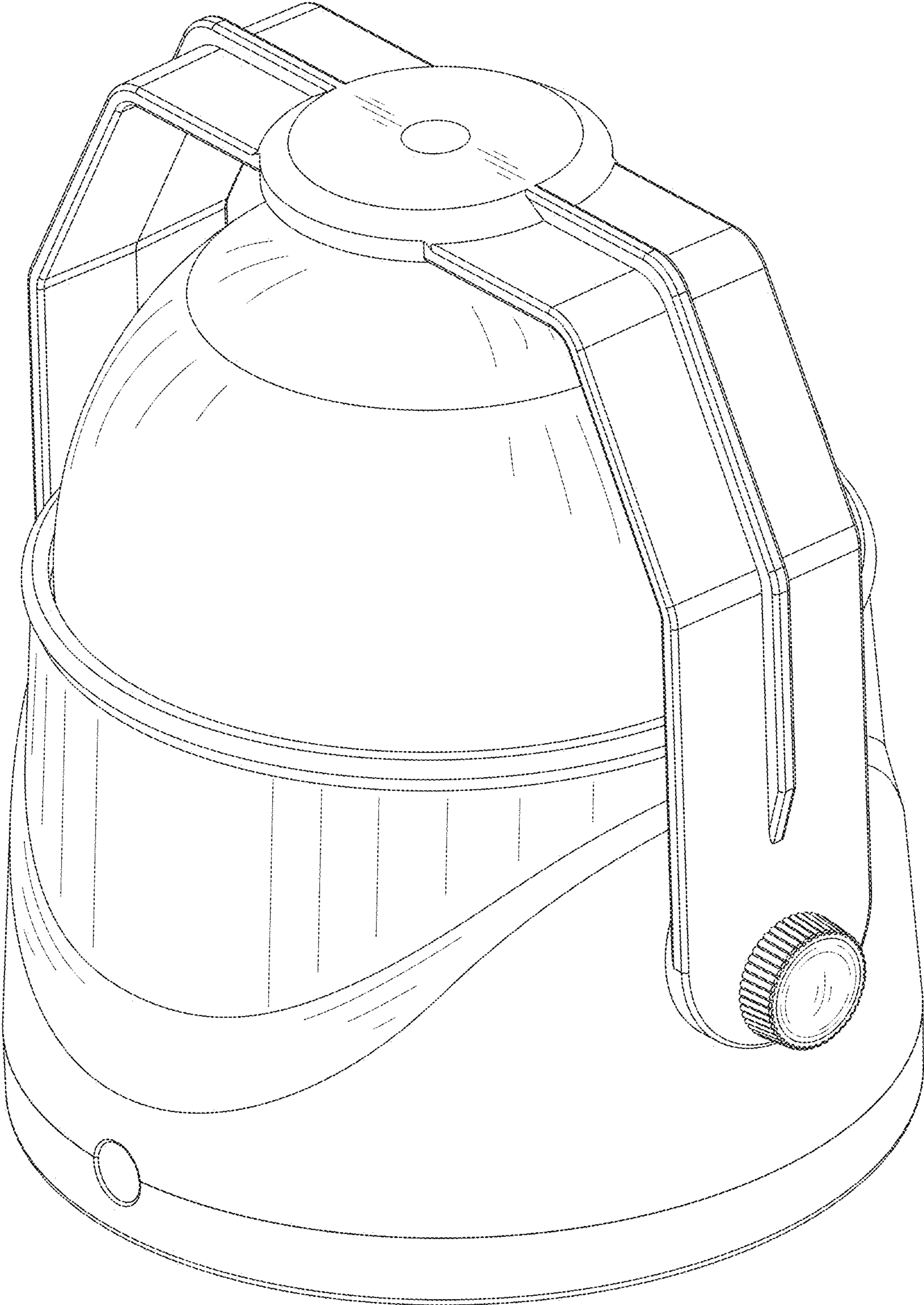


FIG. 1

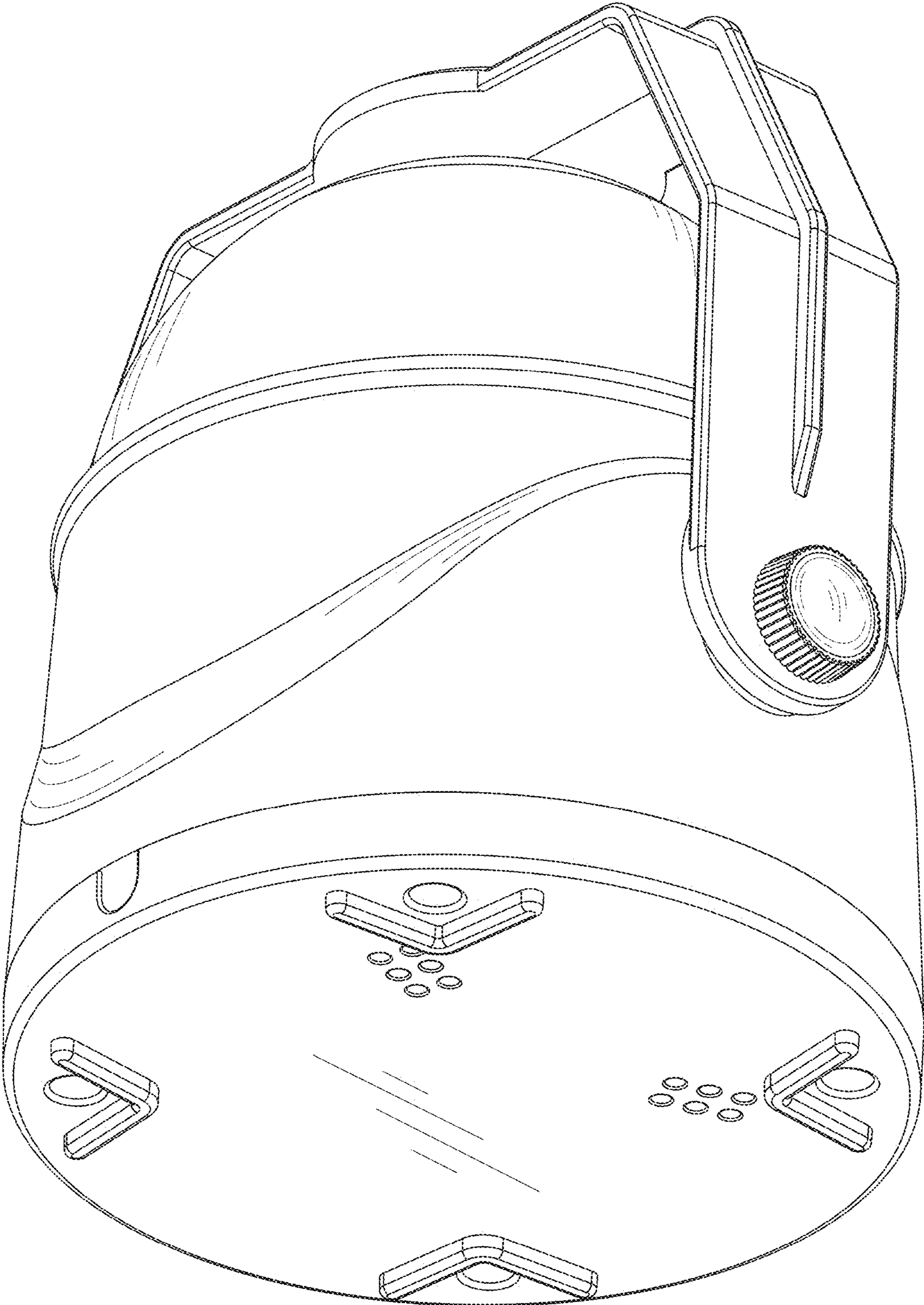


FIG. 2

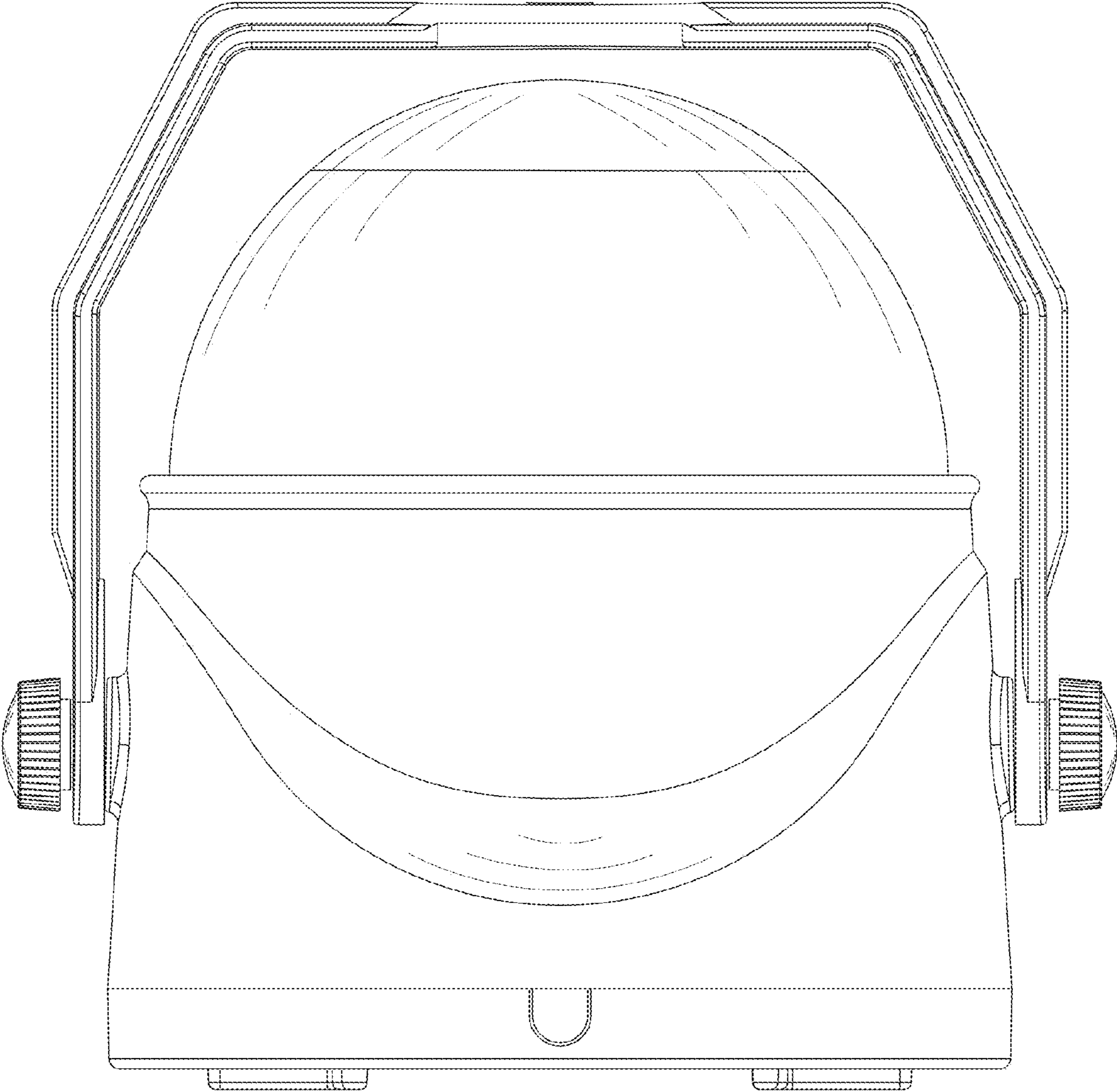


FIG. 3

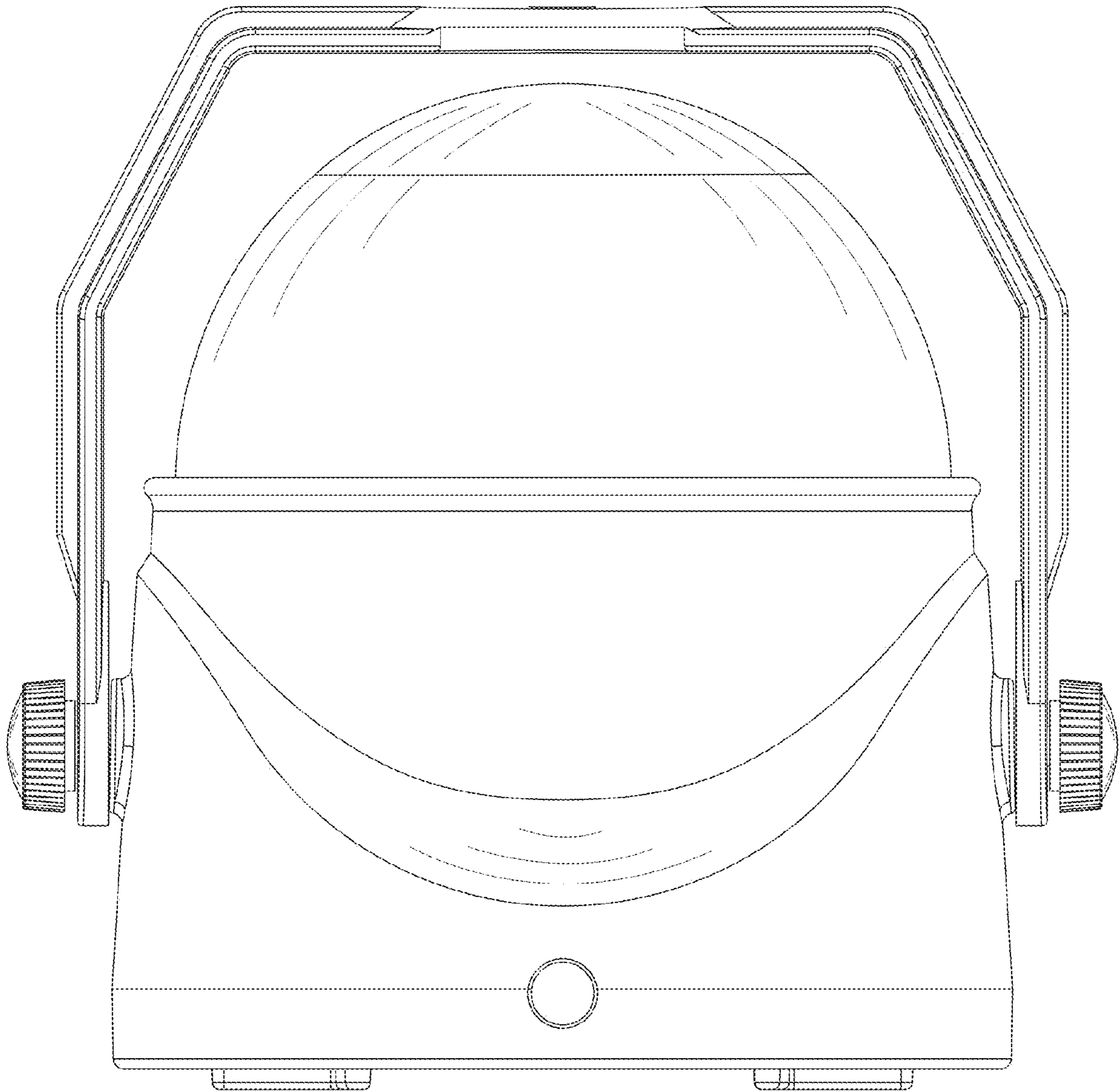


FIG. 4

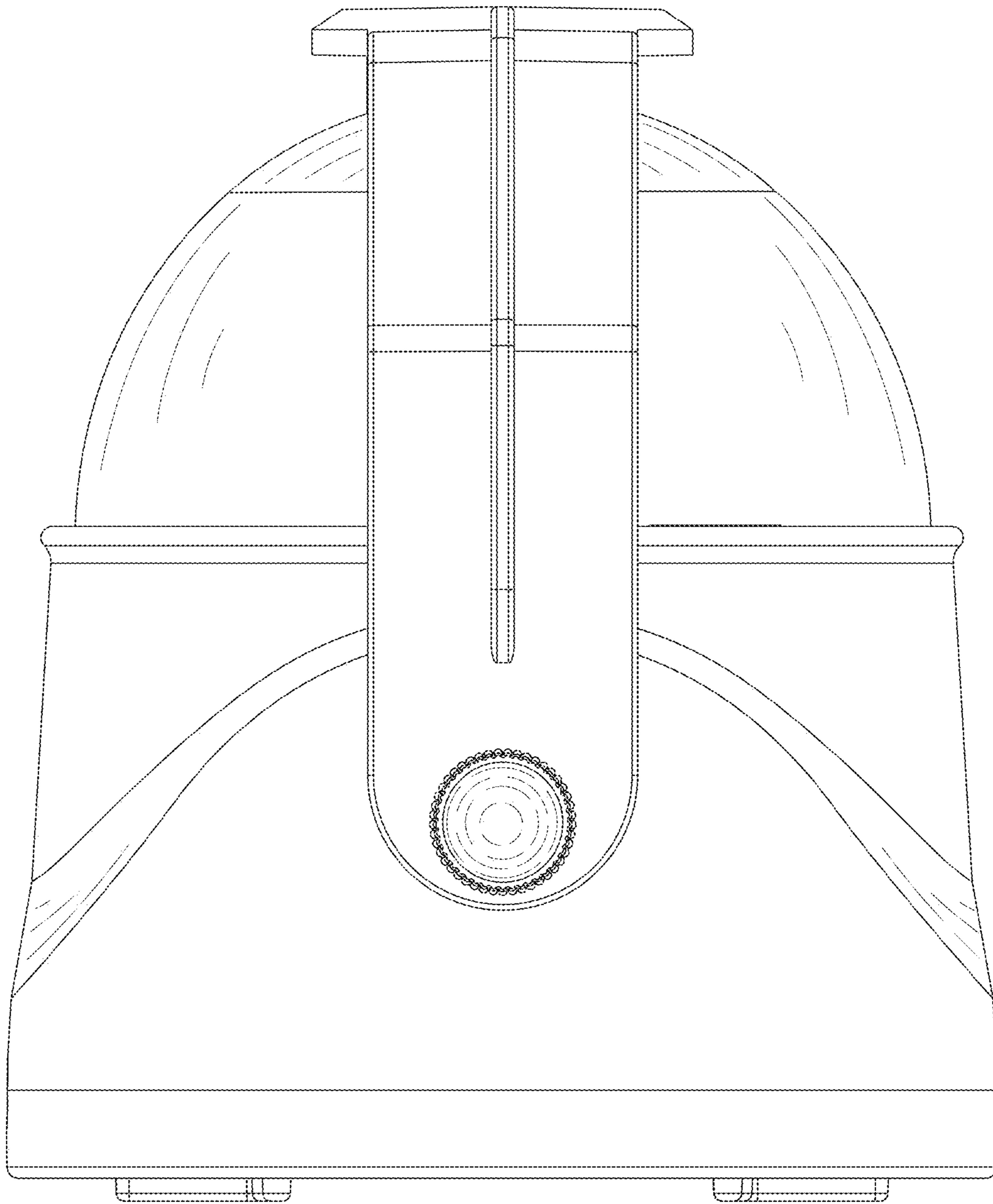


FIG. 5

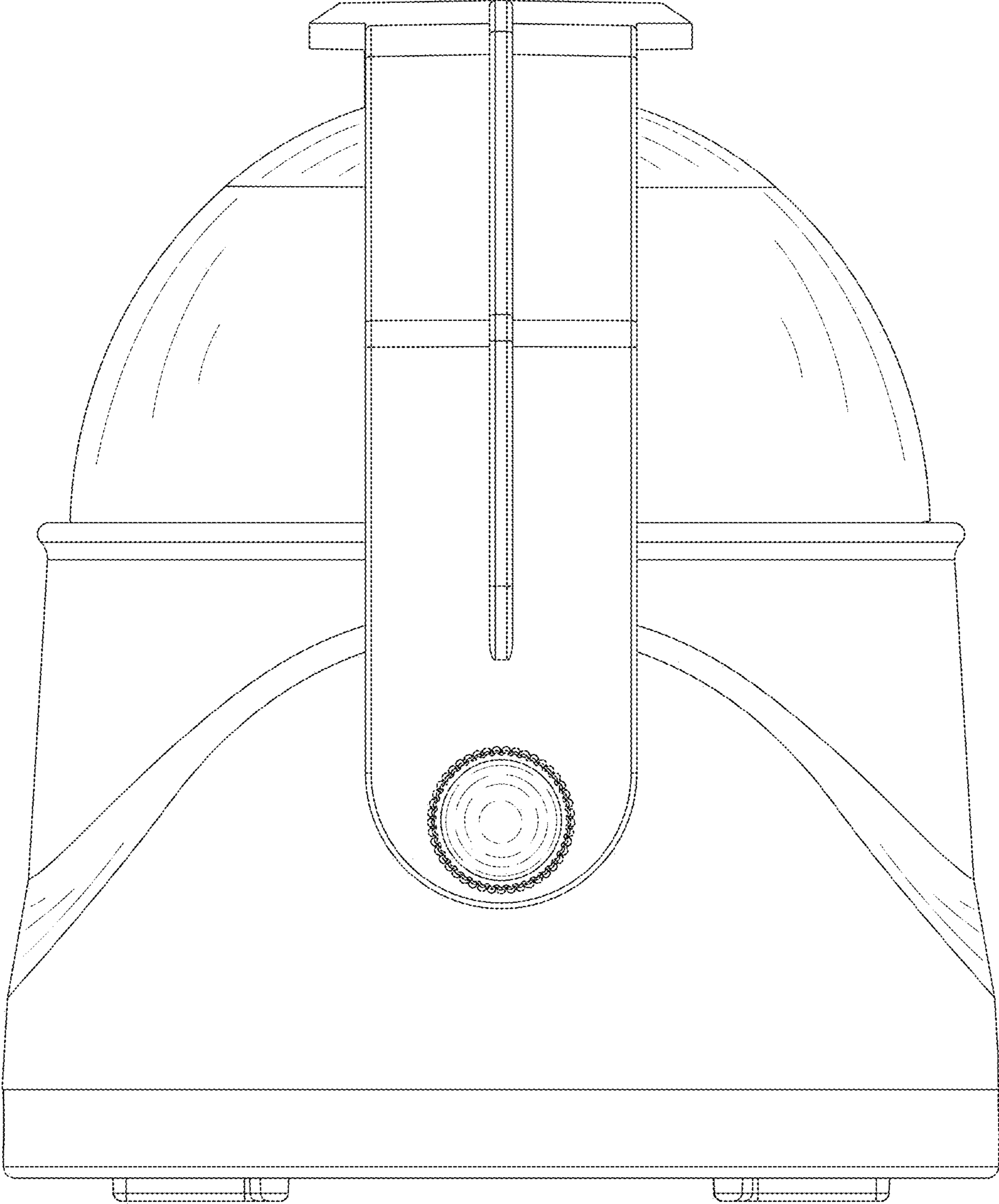


FIG. 6

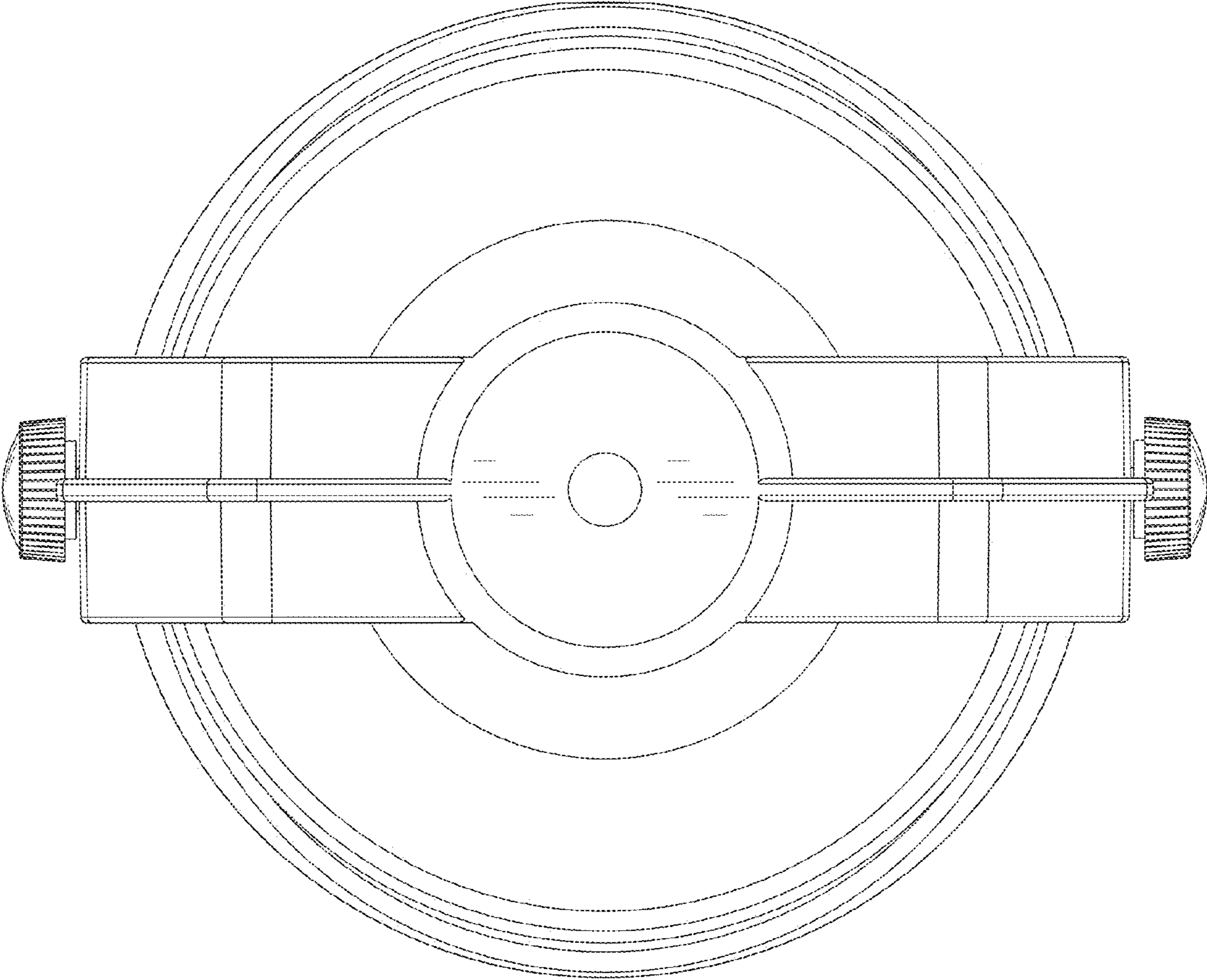


FIG. 7

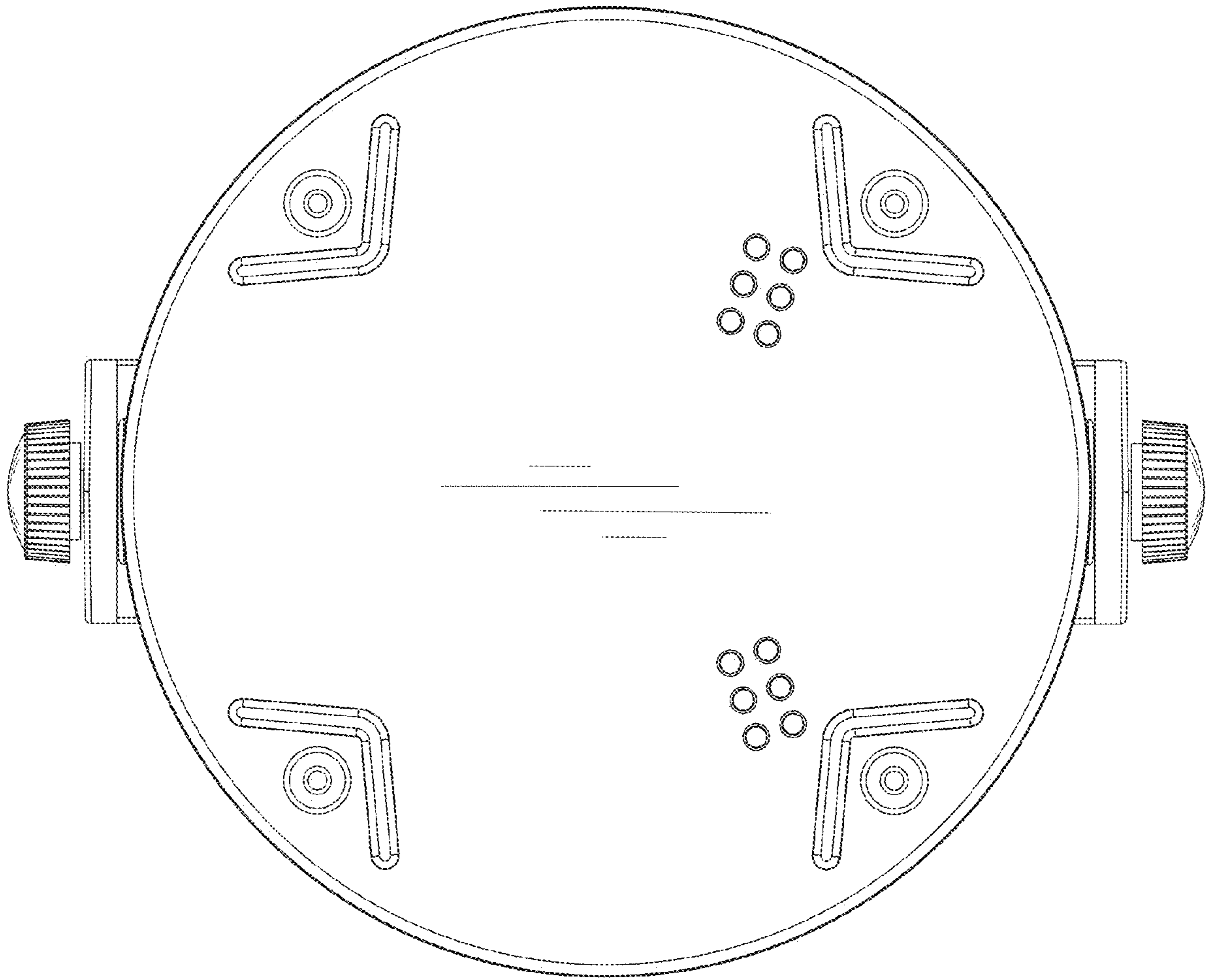


FIG. 8