



US00D914944S

(12) **United States Design Patent**
Gowing

(10) **Patent No.:** **US D914,944 S**

(45) **Date of Patent:** **** Mar. 30, 2021**

(54) **FLOOD LIGHT**

(71) Applicant: **Amazon Technologies, Inc.**, Seattle,
WA (US)

(72) Inventor: **Blake W. Gowing**, Chesterland, OH
(US)

(73) Assignee: **Amazon Technologies, Inc.**, Seattle,
WA (US)

(**) Term: **15 Years**

(21) Appl. No.: **29/722,159**

(22) Filed: **Jan. 27, 2020**

(51) **LOC (13) Cl.** **26-03**

(52) **U.S. Cl.**
USPC **D26/63**

(58) **Field of Classification Search**
USPC D26/24, 51, 61, 63, 65, 72, 80
CPC F21S 8/04; F21S 8/00; F21V 21/00; F21V
17/02; F21V 14/02; F21V 21/30; F21V
21/14; F21V 21/26; F21W 2131/10
See application file for complete search history.

(56) **References Cited**

U.S. PATENT DOCUMENTS

D392,065 S * 3/1998 Morrow D10/106.1
D765,901 S * 9/2016 Chen D26/63
D866,035 S * 11/2019 Tan D26/63

D869,038 S * 12/2019 Recker D26/63
D869,721 S * 12/2019 Recker D26/63
D878,656 S * 3/2020 Recker D26/63
D888,310 S * 6/2020 Siminoff D26/63
D889,720 S * 7/2020 Zhu D26/63
D889,721 S * 7/2020 Tan D26/63
D892,379 S * 8/2020 Recker D26/63
D894,461 S * 8/2020 Recker D26/63
D894,462 S * 8/2020 Recker D26/63
D896,424 S * 9/2020 Wang D26/63

* cited by examiner

Primary Examiner — Brian N. Vinson

(74) *Attorney, Agent, or Firm* — Lee & Hayes, P.C.

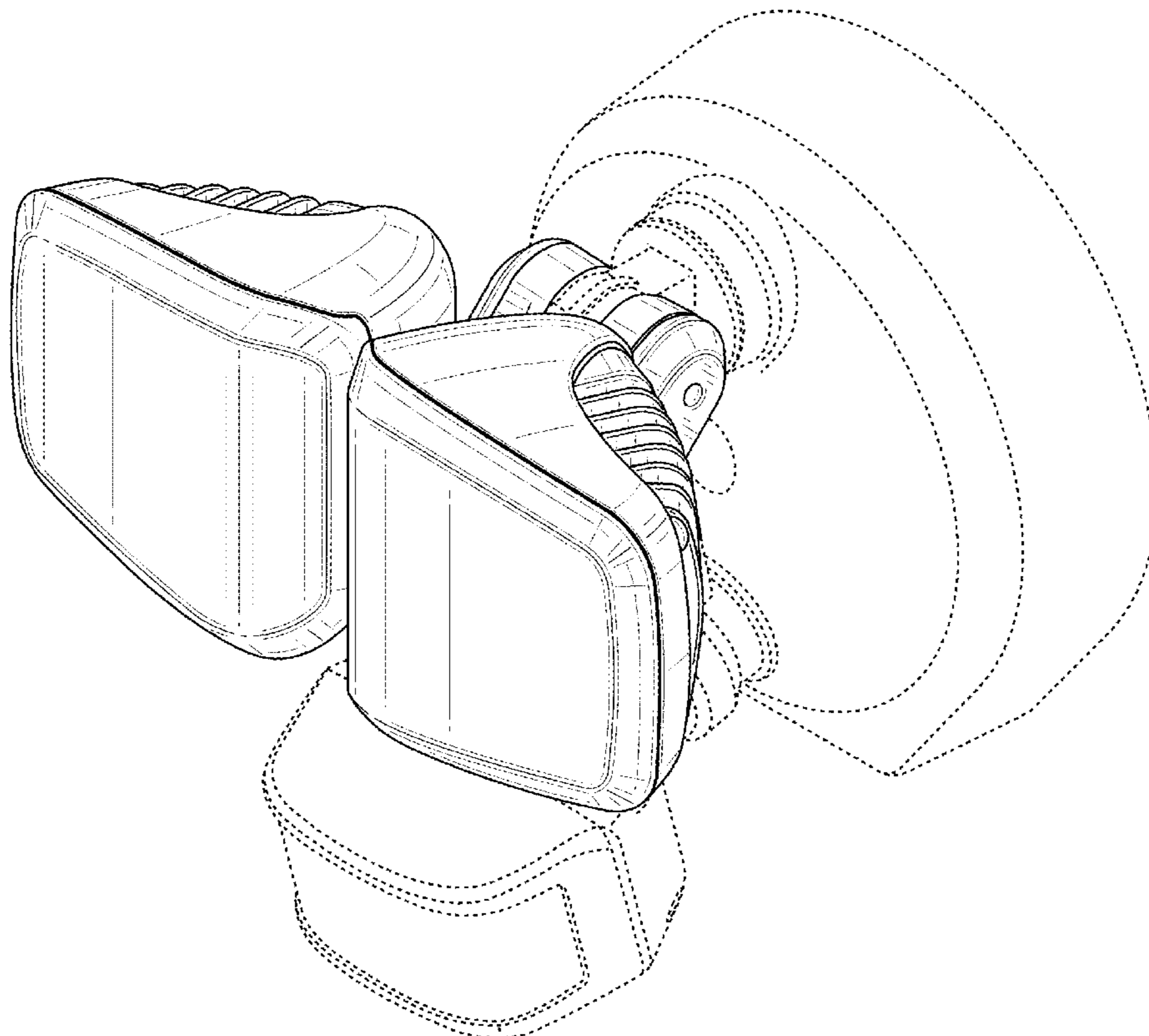
(57) **CLAIM**

The ornamental design for a flood light, as shown and described.

DESCRIPTION

FIG. 1 is a top, front, right-side perspective view of a flood light;
FIG. 2 is a bottom, back, right-side perspective view thereof;
FIG. 3 is a front view thereof;
FIG. 4 is a back view thereof;
FIG. 5 is a left-side view thereof;
FIG. 6 is a right-side view thereof;
FIG. 7 is a top view thereof; and,
FIG. 8 is a bottom view thereof.
The dashed broken lines depict portions of the flood light that form no part of the claimed design.

1 Claim, 8 Drawing Sheets



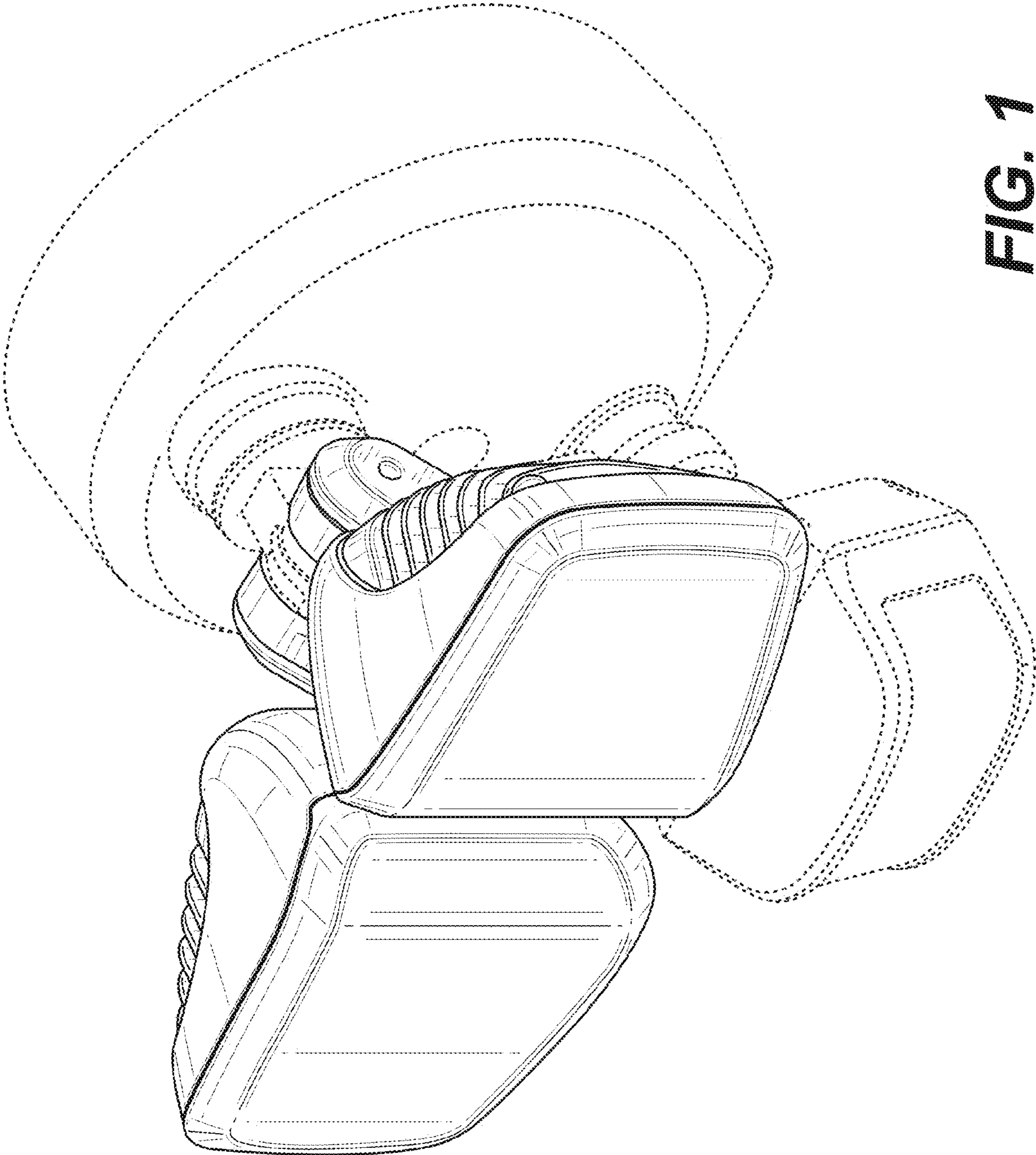


FIG. 1

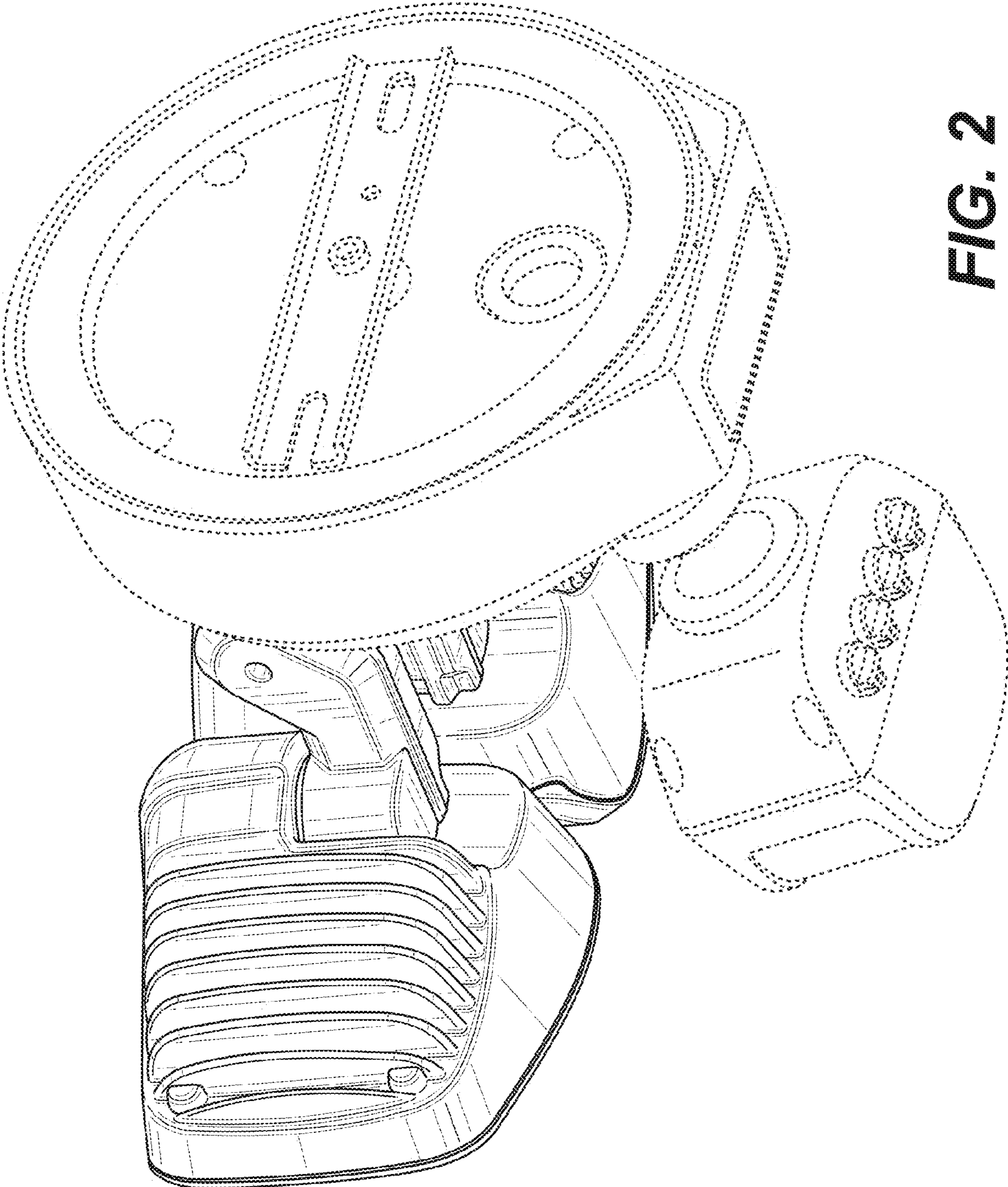


FIG. 2

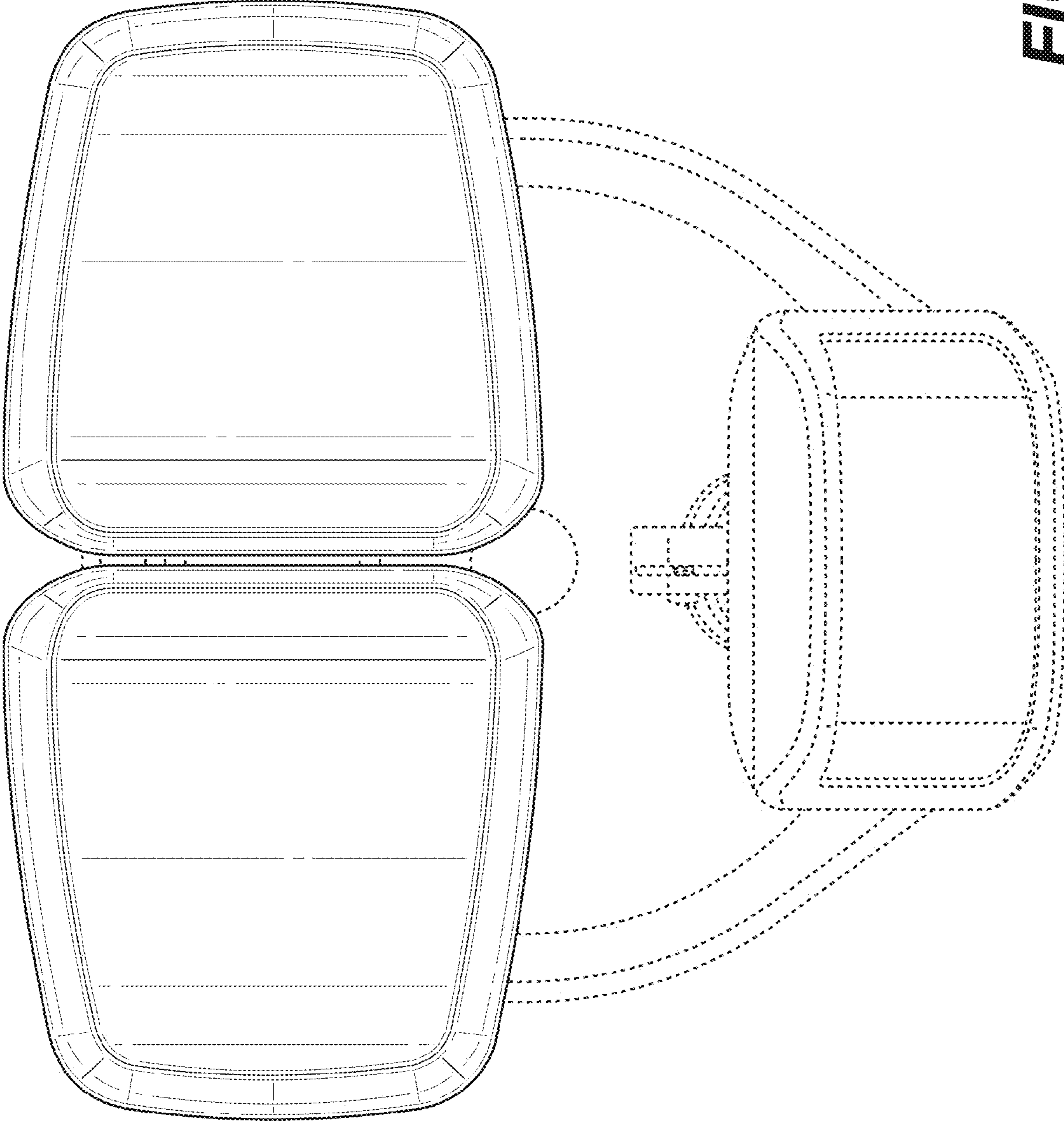


FIG. 3

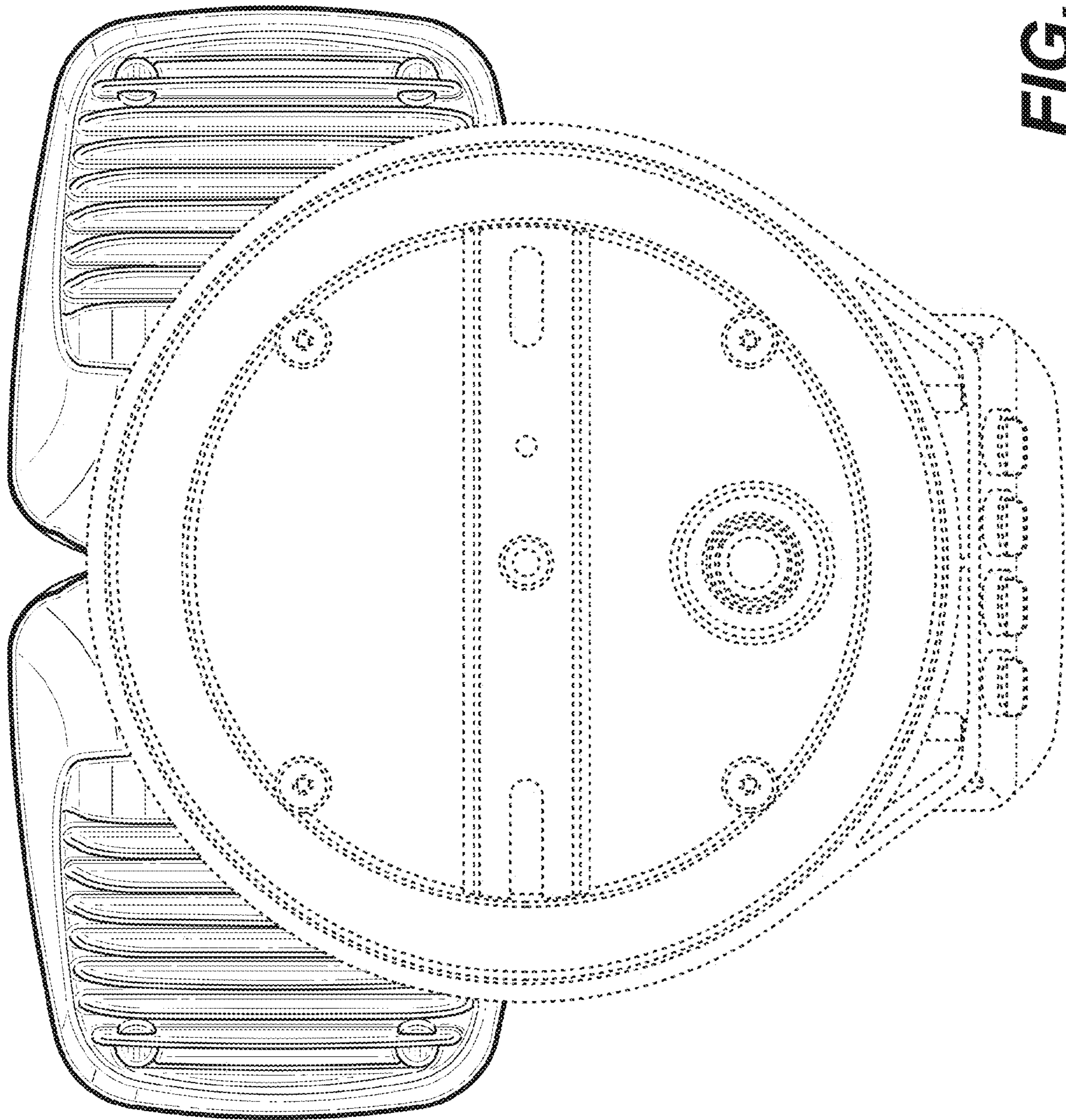
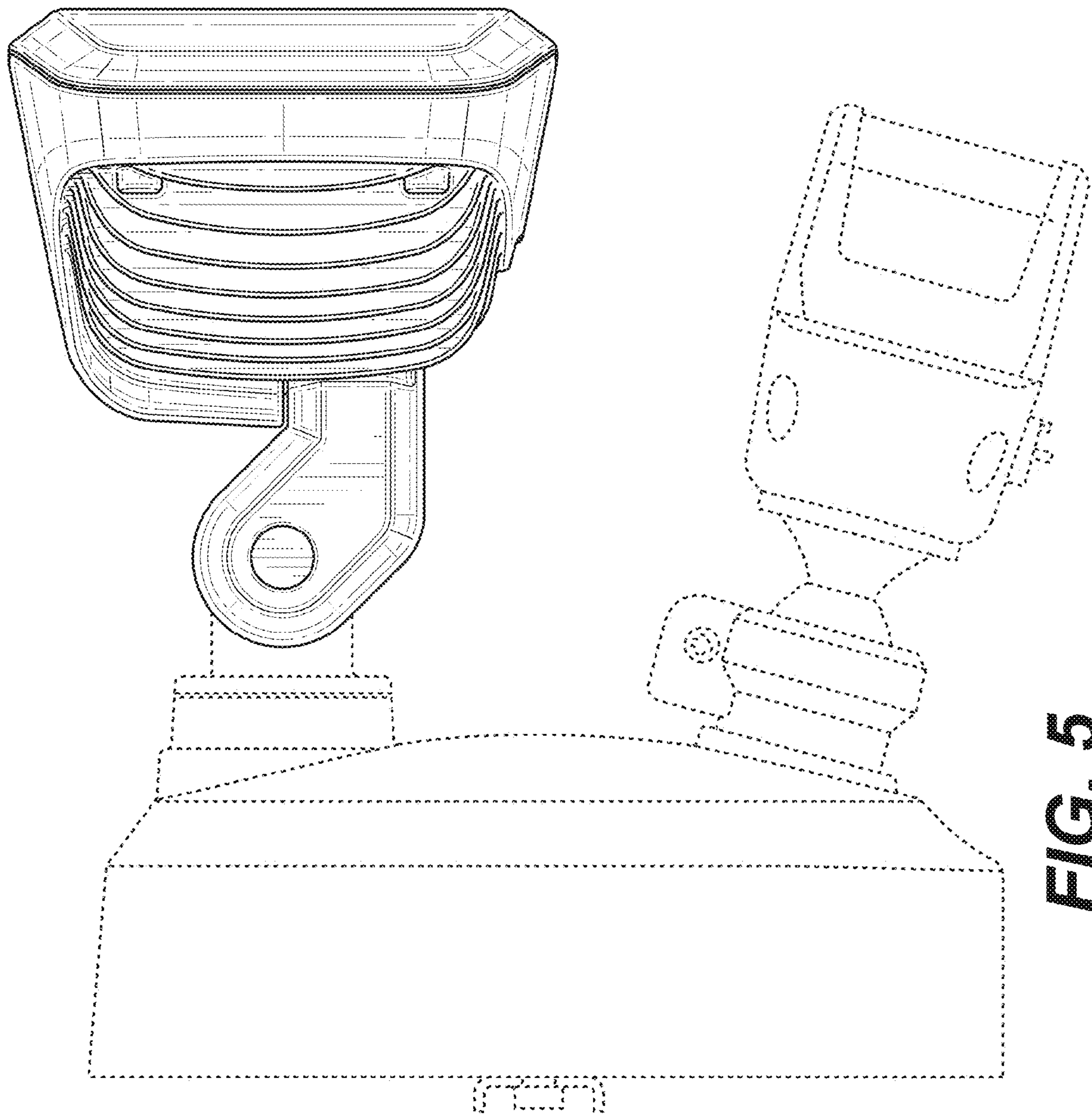


FIG. 4



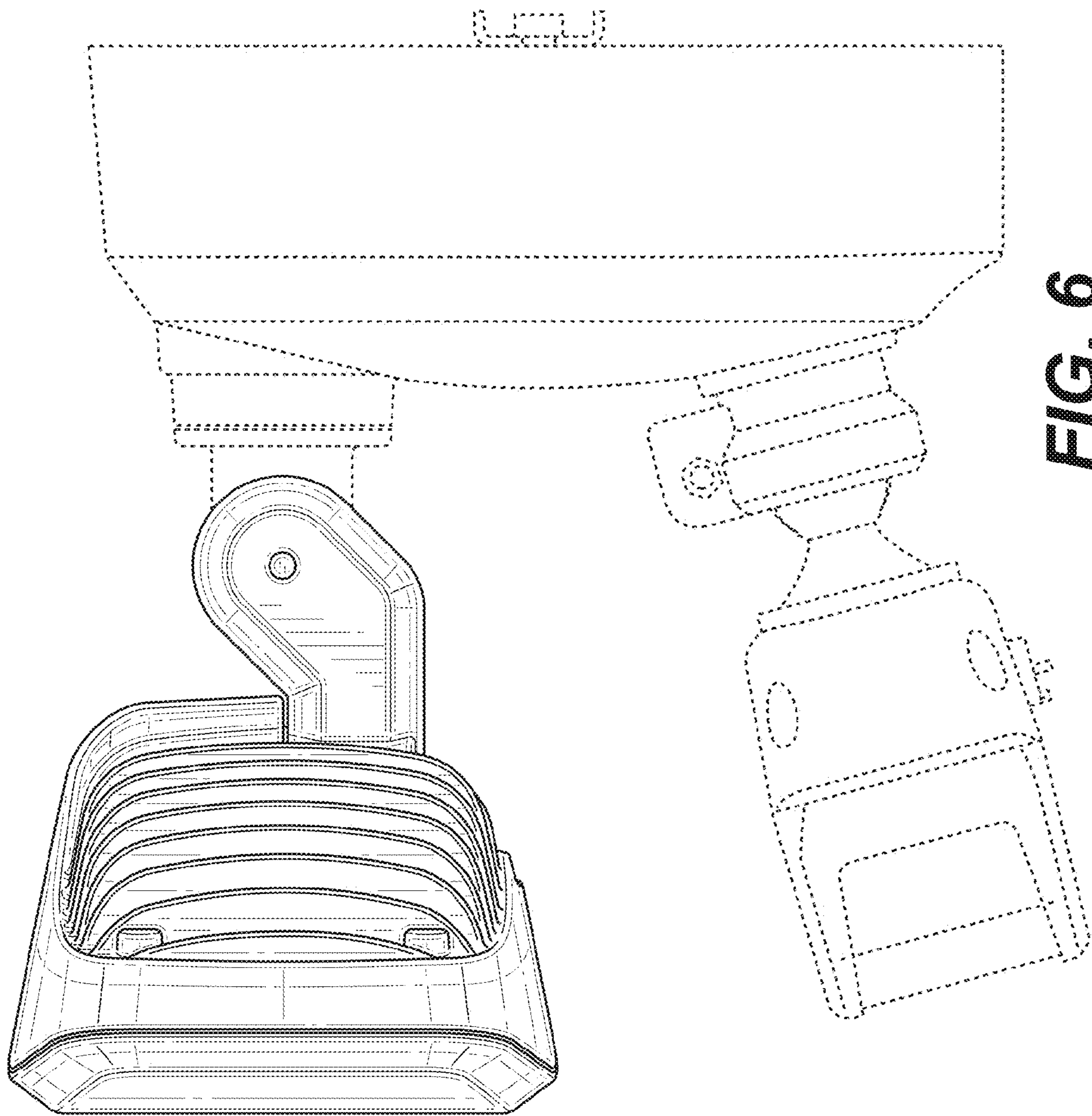


FIG. 6

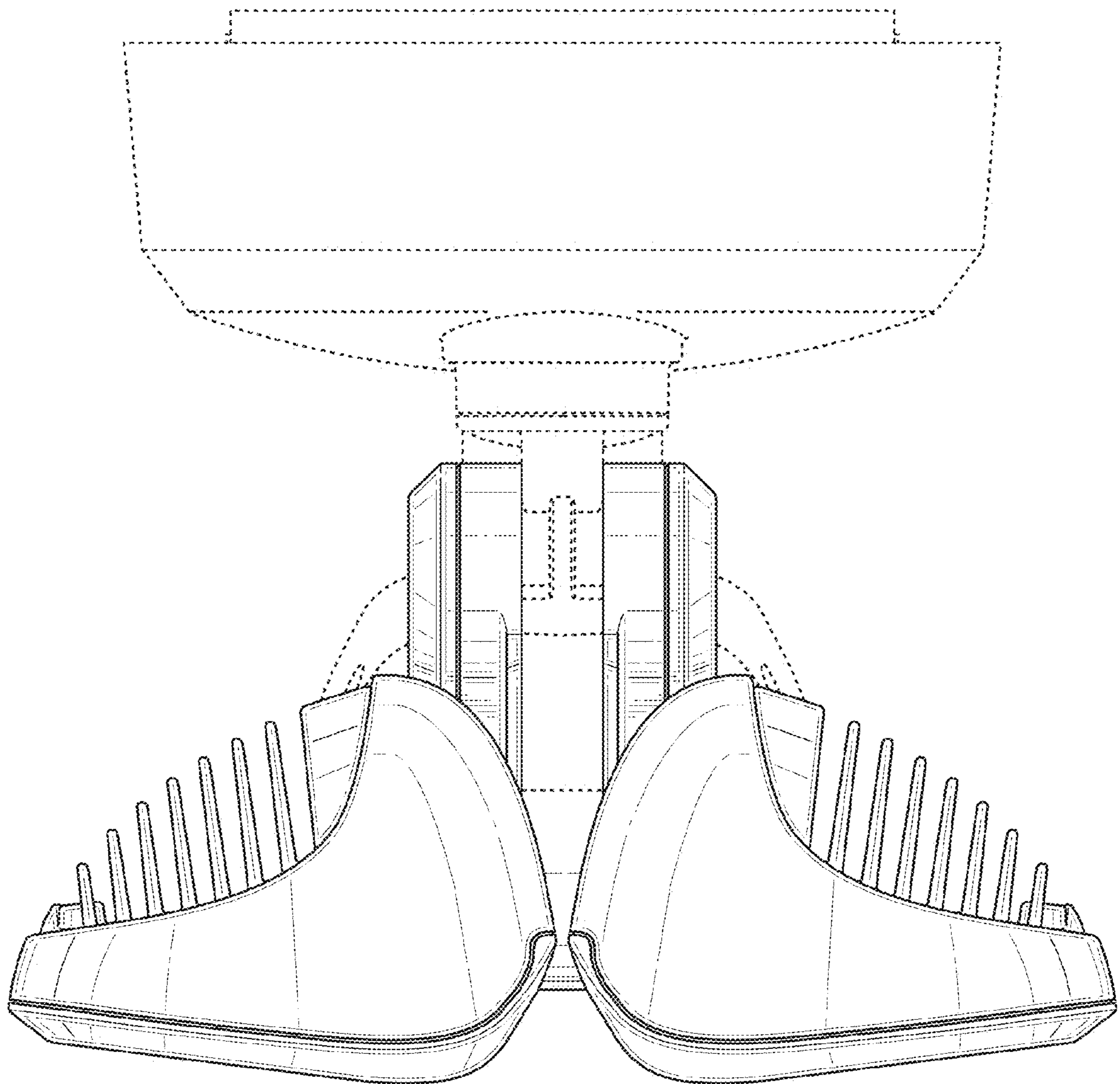


FIG. 7

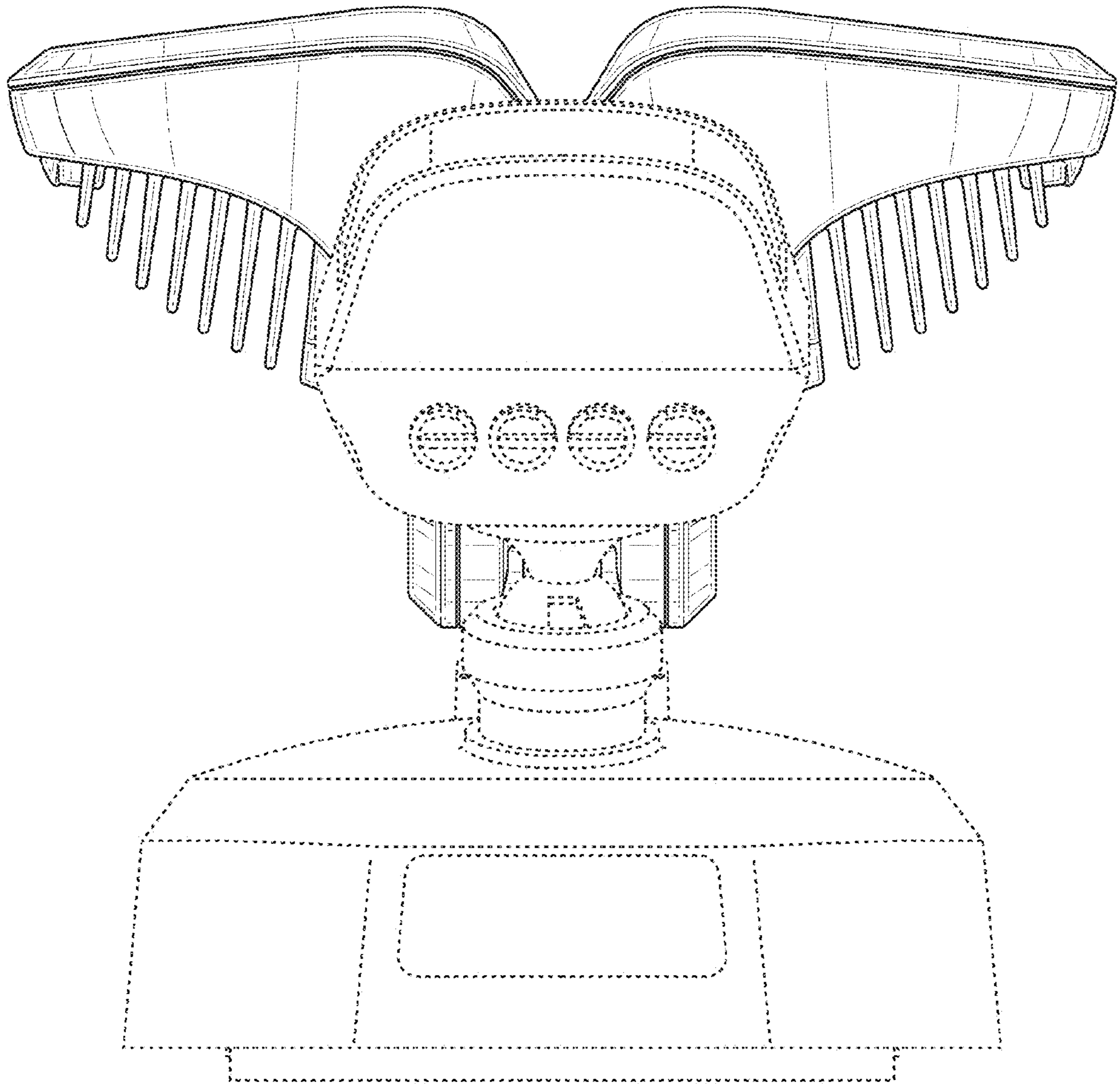


FIG. 8