



US00D914943S

(12) **United States Design Patent**
Wu

(10) **Patent No.:** **US D914,943 S**
(45) **Date of Patent:** **** Mar. 30, 2021**

(54) **UNDERWATER LAMP**

(71) Applicant: **SHENZHEN BSV SOLAR ENERGY CO., LTD**, Shenzhen (CN)

(72) Inventor: **Huiqiang Wu**, Shenzhen (CN)

(**) Term: **15 Years**

(21) Appl. No.: **29/713,745**

(22) Filed: **Nov. 18, 2019**

(30) **Foreign Application Priority Data**

Aug. 19, 2019 (EM) 006736740

(51) **LOC (13) Cl.** **26-03**

(52) **U.S. Cl.**
USPC **D26/63**

(58) **Field of Classification Search**
USPC D26/1, 24, 61, 63, 65, 85, 92, 118
CPC F21V 21/14; F21V 15/01; F21V 14/02;
F21V 21/30; F21V 21/00; F21V 14/00;
F21S 8/00; F21S 8/003; F21S 8/043;
F21Y 2105/001

See application file for complete search history.

(56) **References Cited**

U.S. PATENT DOCUMENTS

D242,945 S * 1/1977 Moore D26/65
D589,636 S * 3/2009 Pinette D26/63

D715,474 S * 10/2014 Janos D26/63
D806,298 S * 12/2017 Recker D26/63
D855,231 S * 7/2019 Huang D26/63
D882,140 S * 4/2020 Yang D26/63
D882,142 S * 4/2020 Huang D26/63
D900,372 S * 10/2020 Peng D26/63

* cited by examiner

Primary Examiner — Brian N. Vinson
(74) *Attorney, Agent, or Firm* — HYIP

(57) **CLAIM**

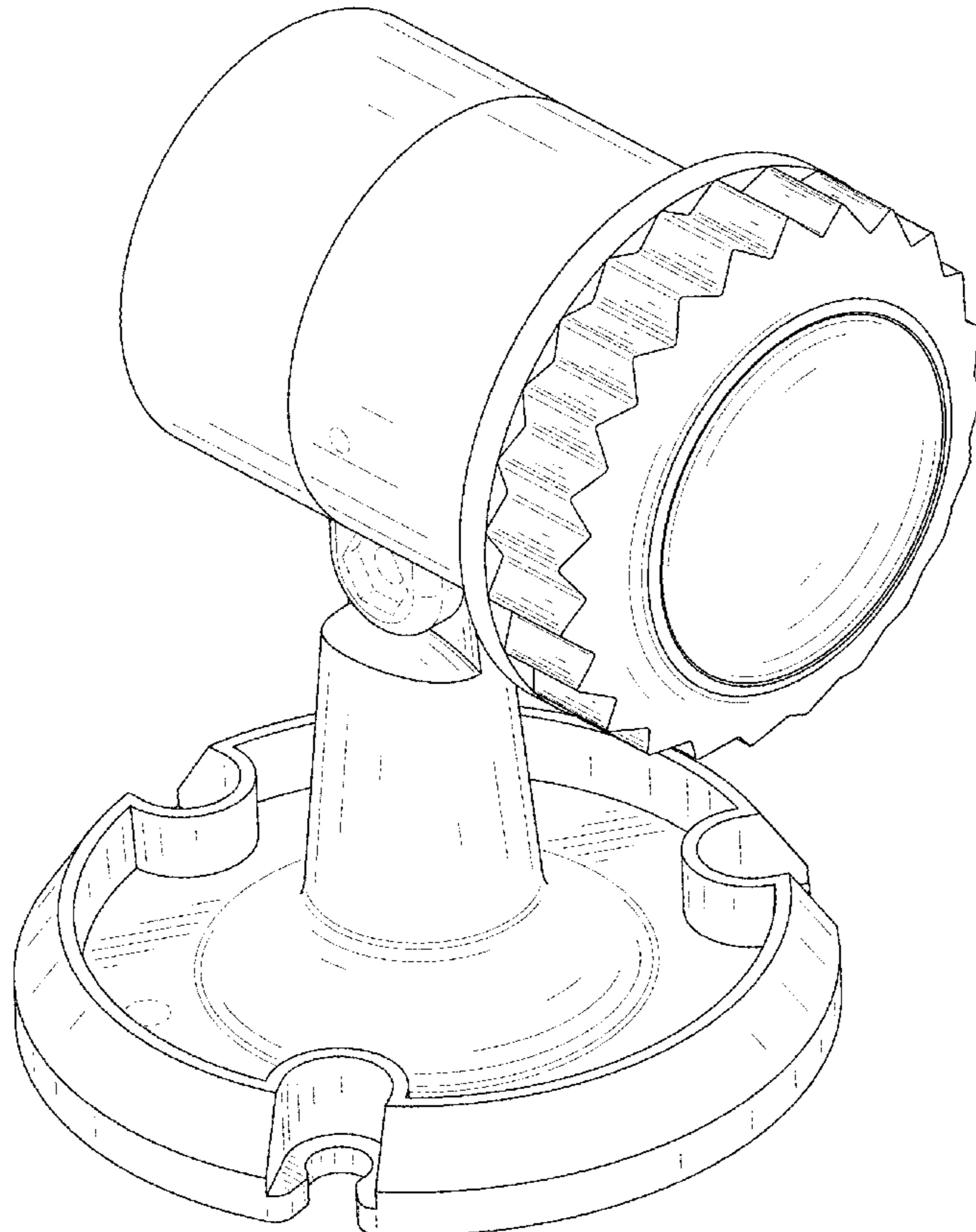
The ornamental design for an underwater lamp, as shown and described.

DESCRIPTION

FIG. 1 is a first perspective view of an underwater lamp showing my new design;
FIG. 2 is a second perspective view thereof;
FIG. 3 is a front view thereof;
FIG. 4 is a back view thereof;
FIG. 5 is a left side view thereof;
FIG. 6 is a right side view thereof;
FIG. 7 is a top view thereof; and,
FIG. 8 is a bottom view thereof.

The broken lines shown in the drawings depict portions of the underwater lamp in which the design is embodied that form no part of the claimed design.

1 Claim, 8 Drawing Sheets



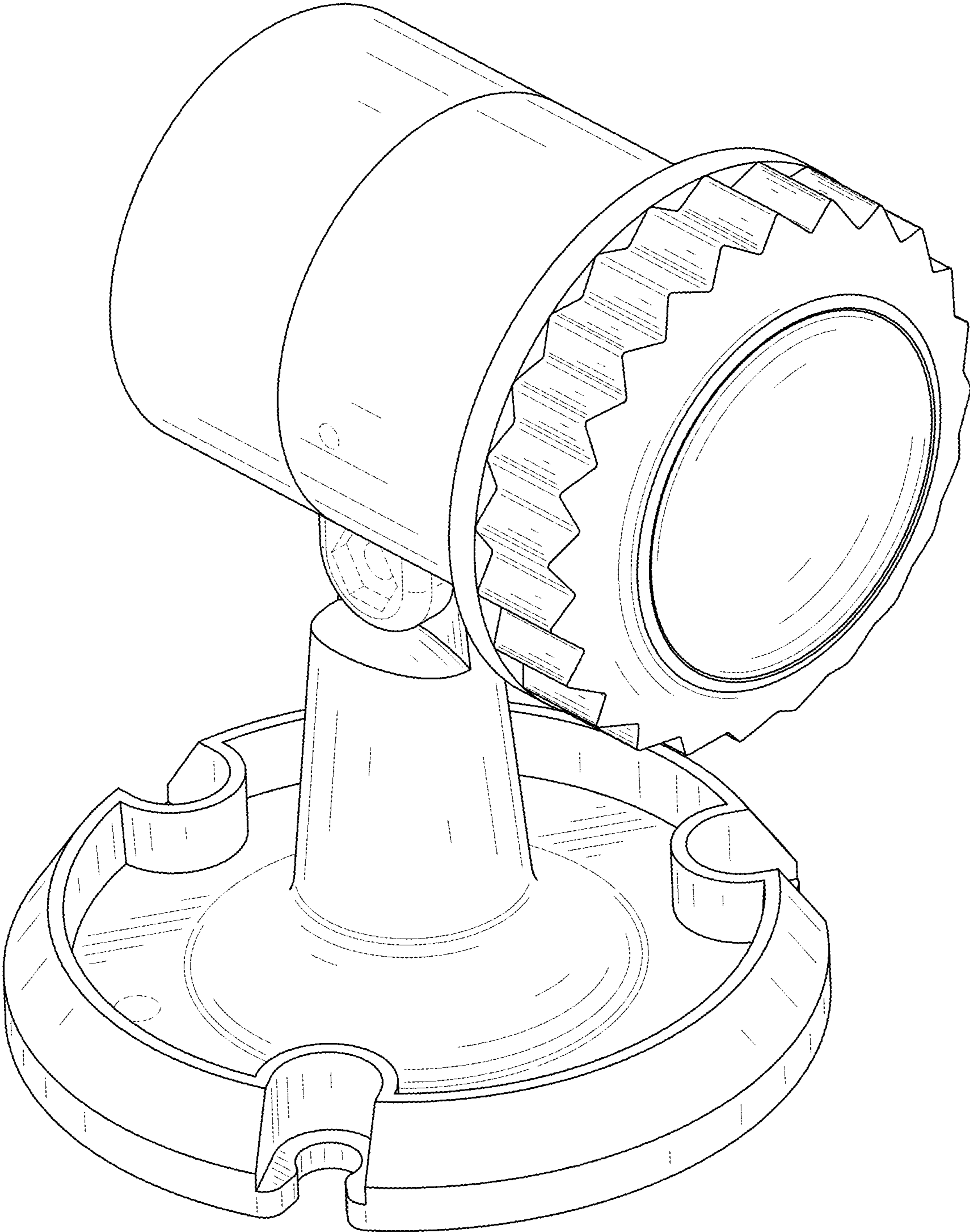


FIG. 1

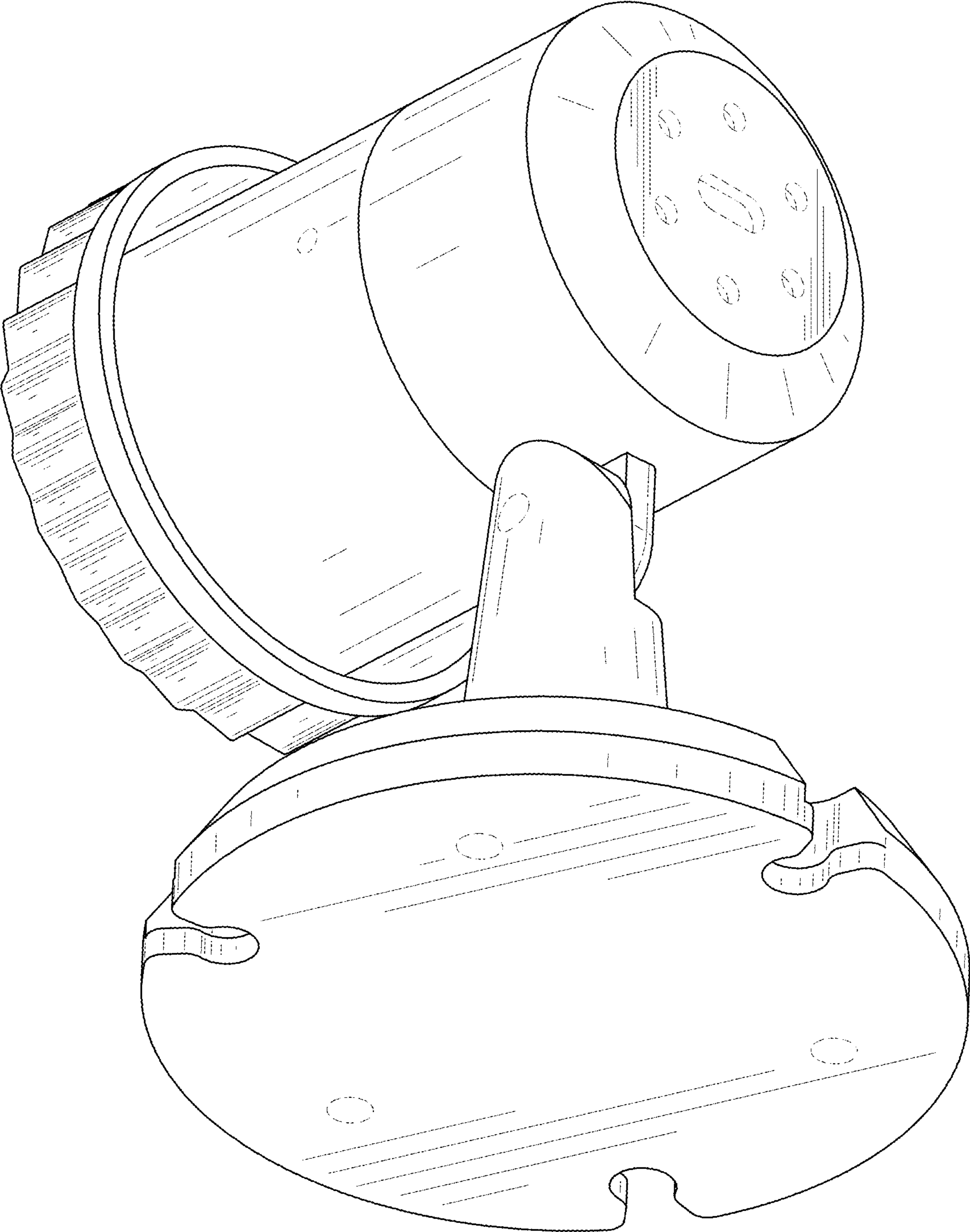


FIG. 2

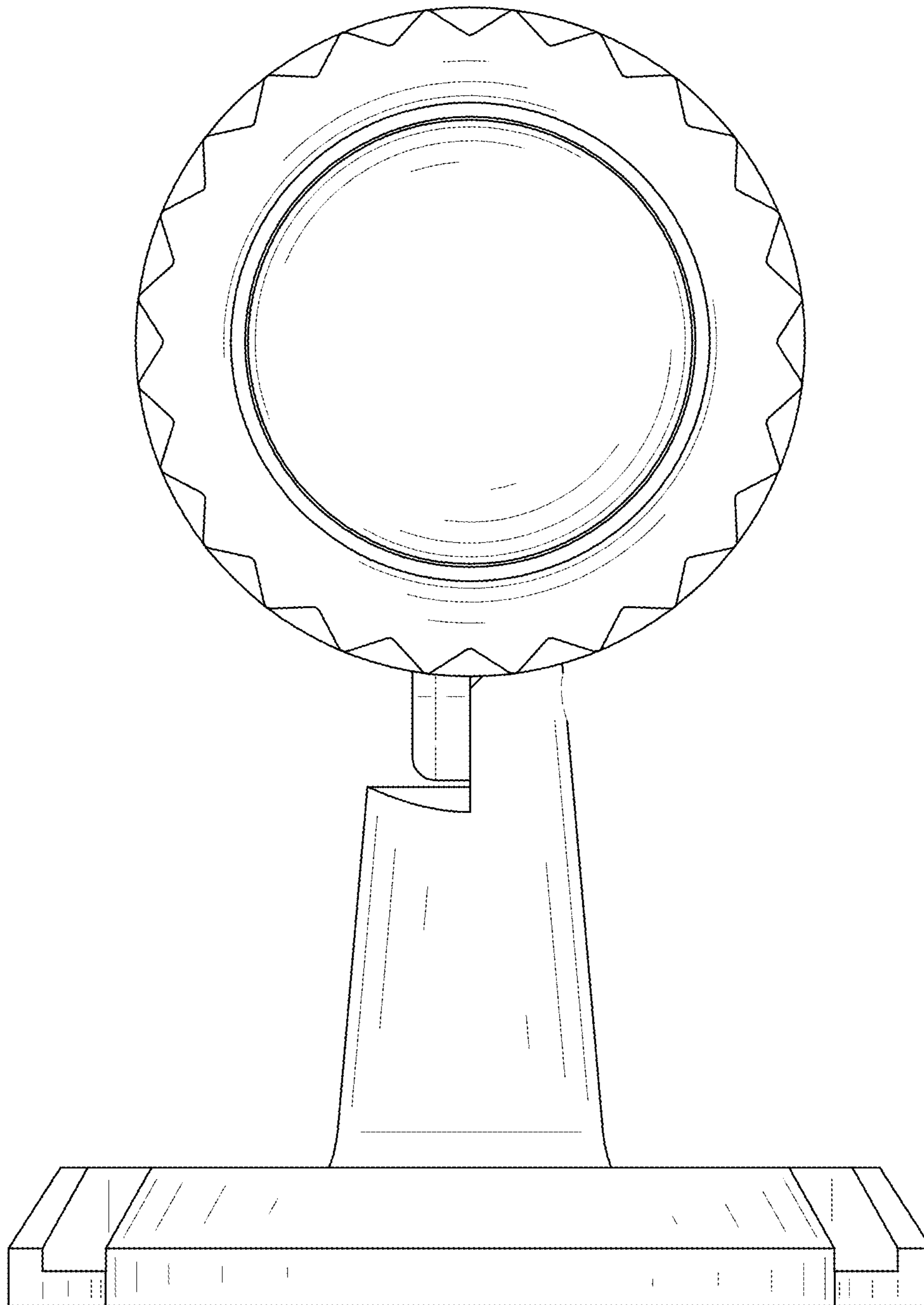


FIG. 3

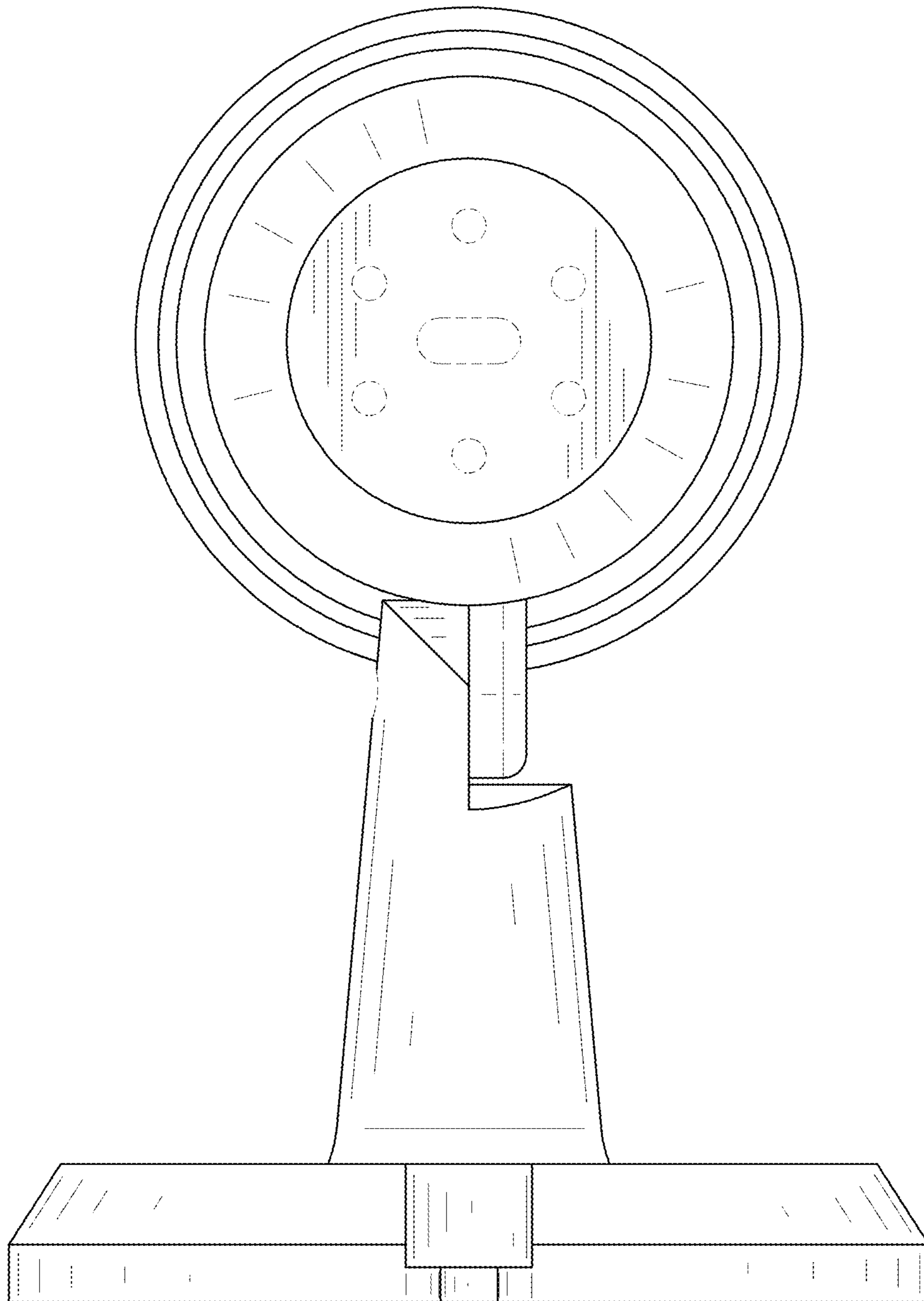


FIG. 4

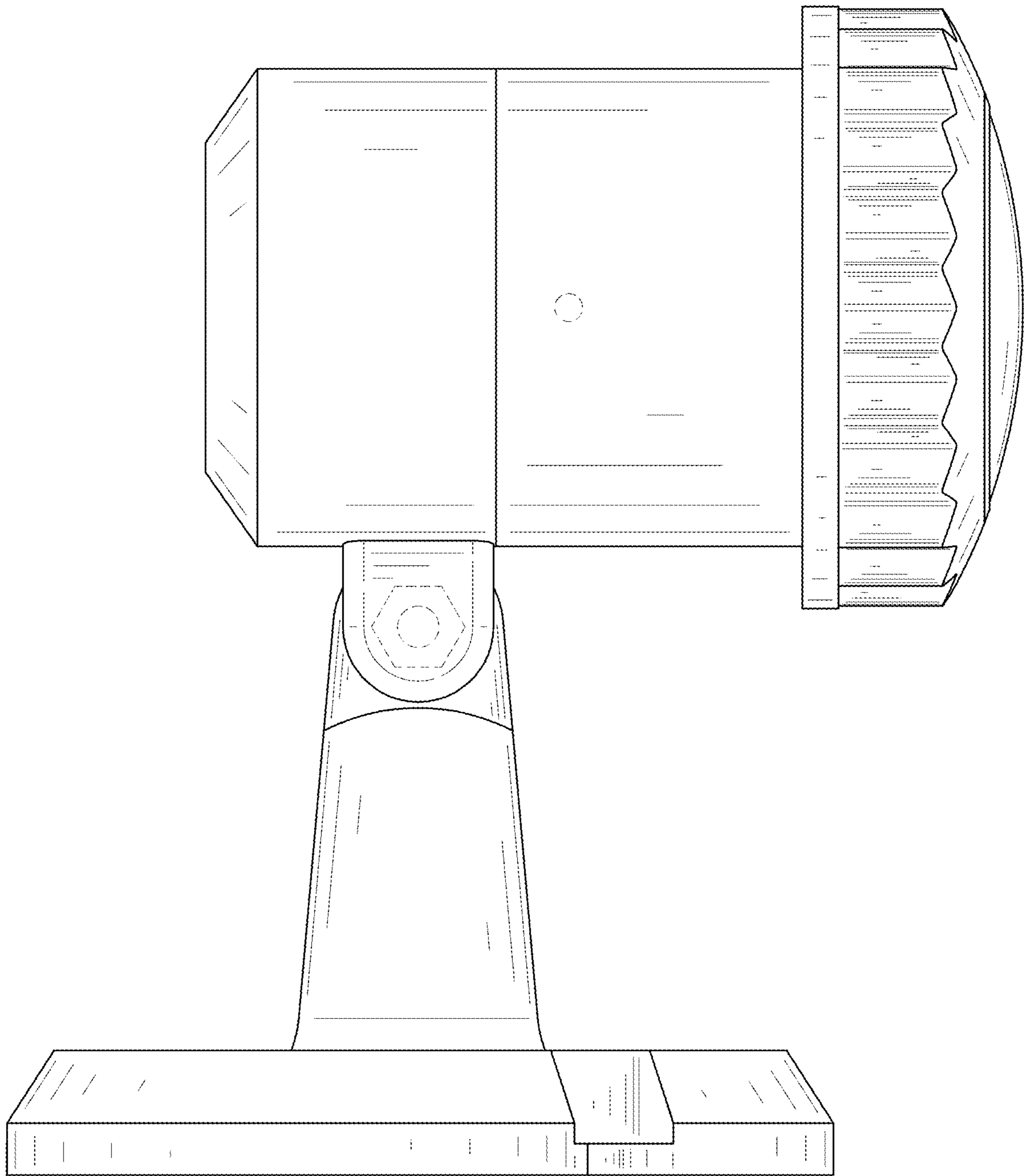


FIG. 5

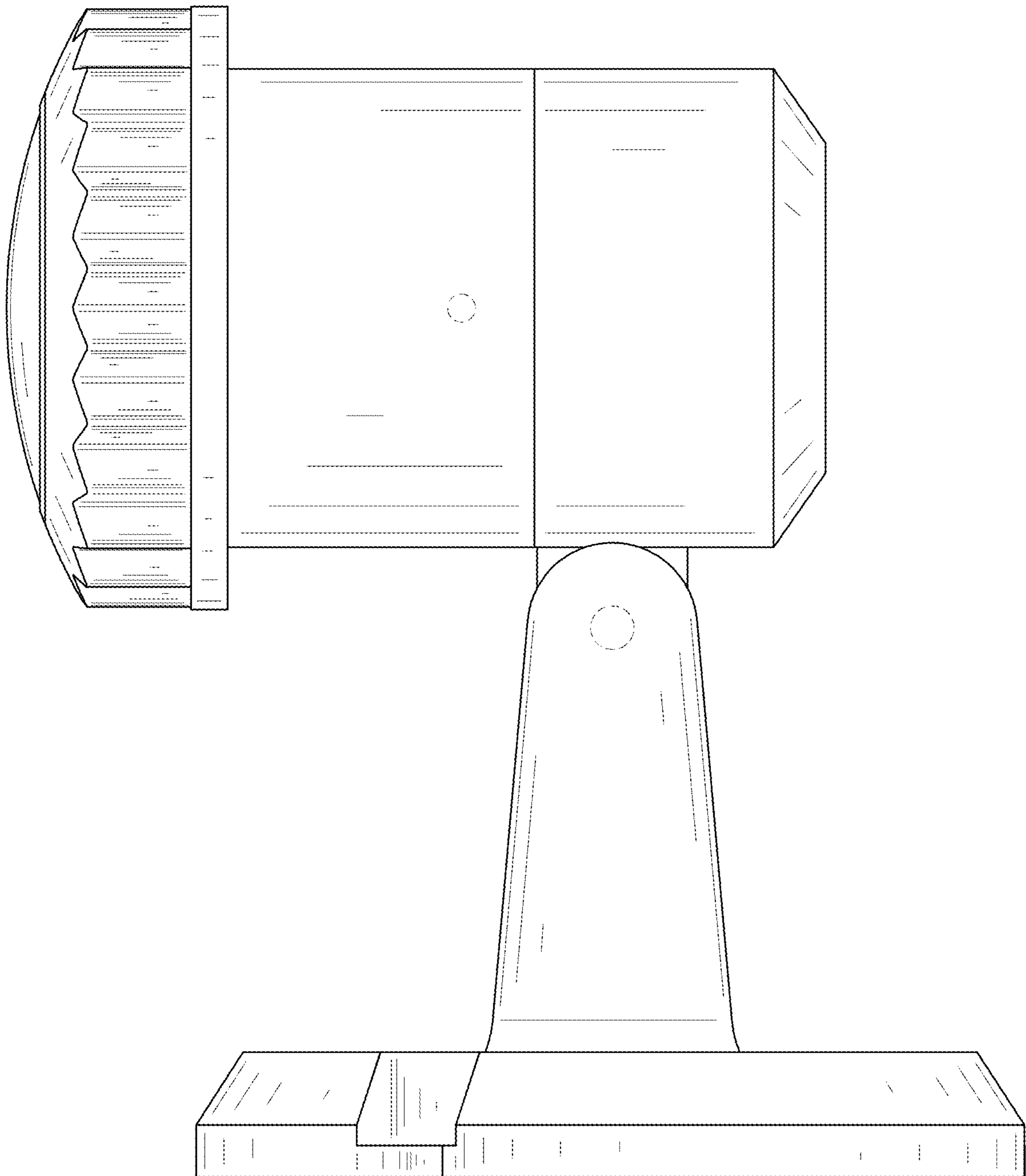


FIG. 6

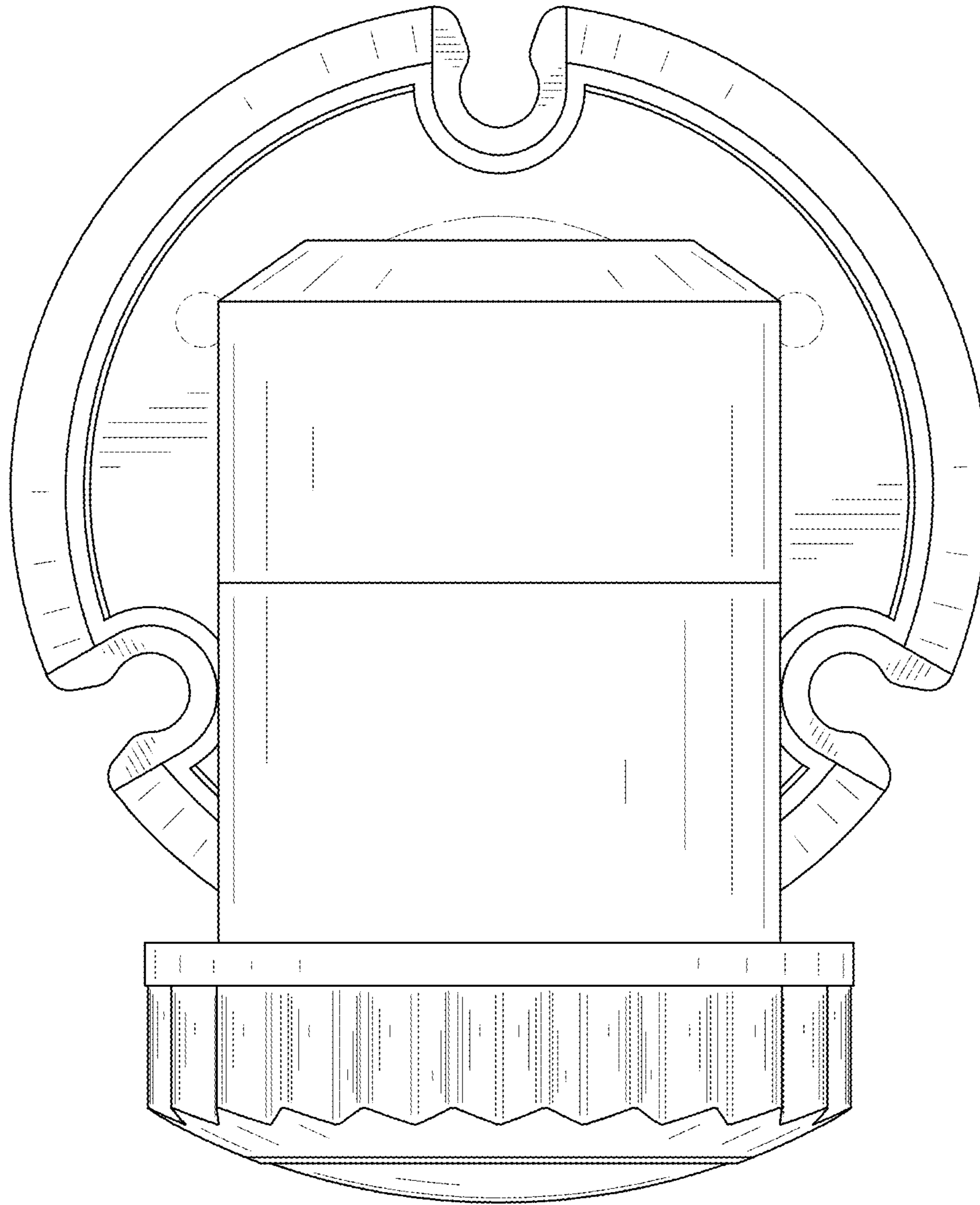


FIG. 7

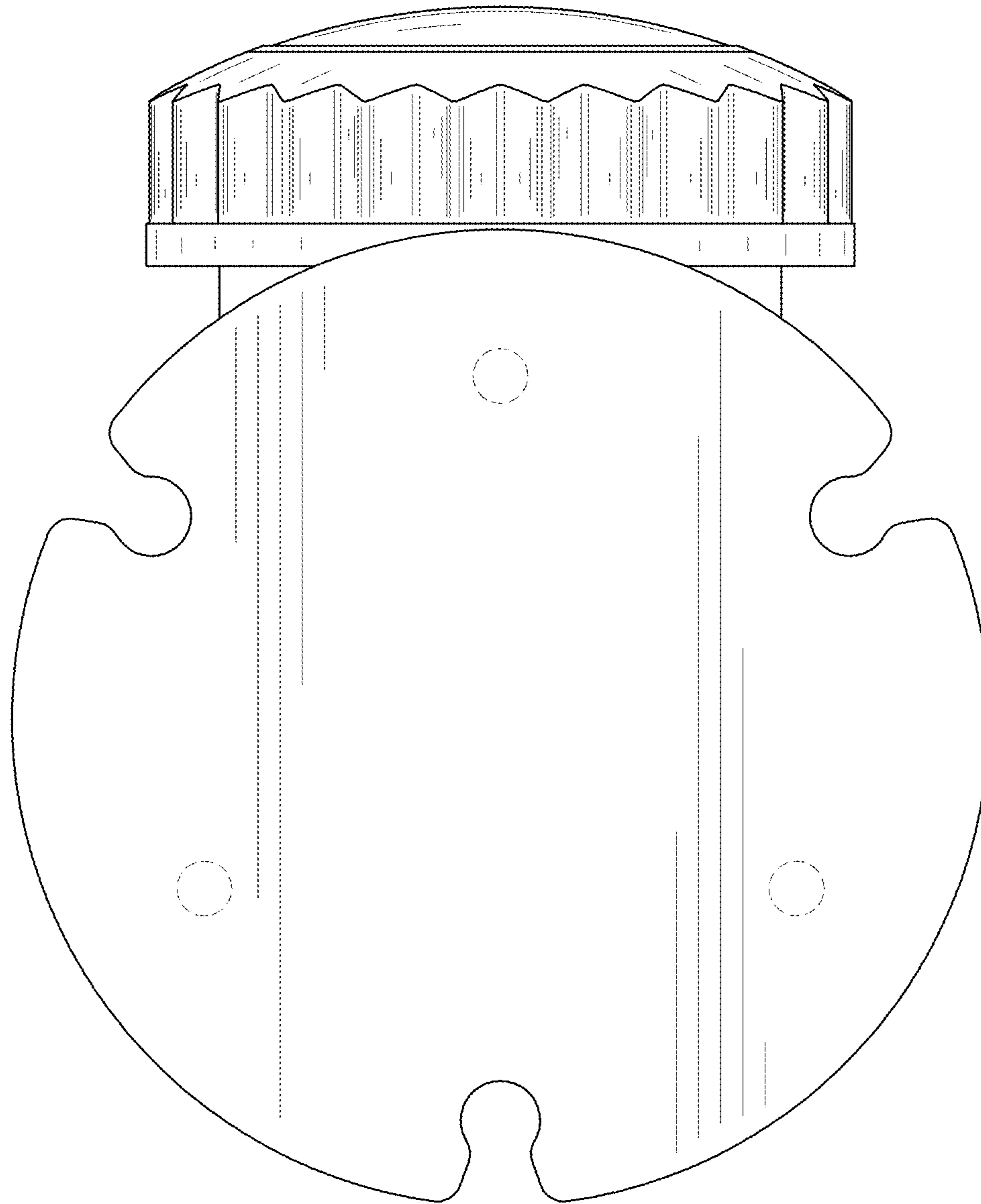


FIG. 8