



US00D914942S

(12) **United States Design Patent**  
**Li**

(10) **Patent No.:** **US D914,942 S**

(45) **Date of Patent:** **\*\* \*Mar. 30, 2021**

(54) **SOLAR SPOTLIGHT**

D841,858 S \* 2/2019 Deng ..... D26/63  
D848,045 S \* 5/2019 Liao ..... D26/63  
D851,799 S \* 6/2019 Liu ..... D26/63

(71) Applicant: **Yulin Li**, Guangdong (CN)

(72) Inventor: **Yulin Li**, Guangdong (CN)

(\*) Notice: This patent is subject to a terminal disclaimer.

(\*\*) Term: **15 Years**

(21) Appl. No.: **29/670,761**

(22) Filed: **Nov. 19, 2018**

(51) **LOC (13) Cl.** ..... **26-03**

(52) **U.S. Cl.**  
USPC ..... **D26/63**

(58) **Field of Classification Search**  
USPC ..... D26/63, 67-70  
CPC .... F21S 6/004; F21S 6/005; F21S 8/08; F21S 8/081; F21S 8/083; F21S 8/088; F21S 9/03; F21S 9/032; F21S 9/035; F21S 9/037; F21W 2131/109; F21W 2111/023; F21V 21/0824

See application file for complete search history.

(56) **References Cited**

**U.S. PATENT DOCUMENTS**

D764,694 S \* 8/2016 Tsai ..... D26/63  
D837,431 S \* 1/2019 Peng ..... D26/63

\* cited by examiner

*Primary Examiner* — Brian N. Vinson

(74) *Attorney, Agent, or Firm* — King & Wood Mallesons LLP

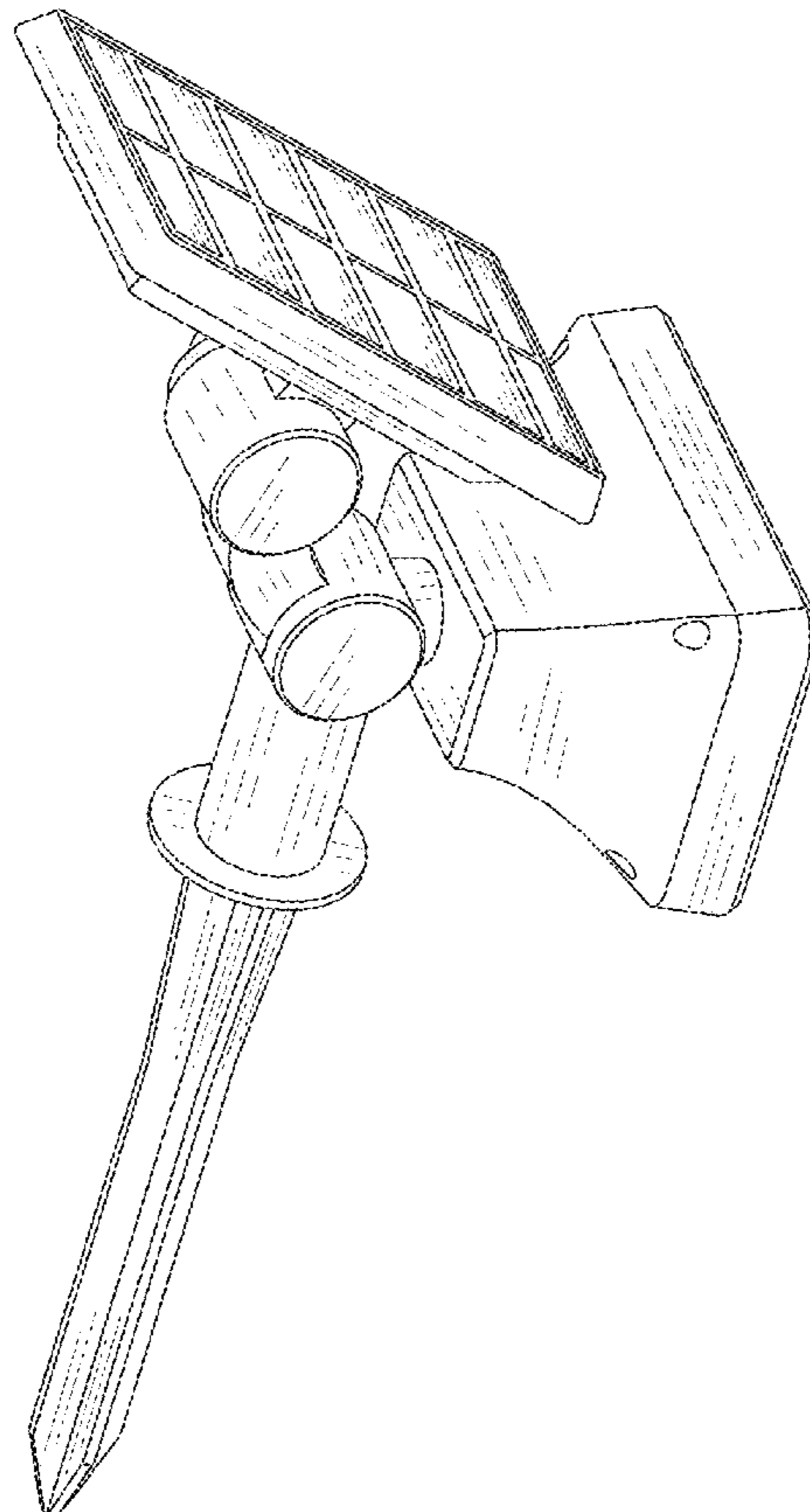
(57) **CLAIM**

I claim the ornamental design for a solar spotlight, as shown and described.

**DESCRIPTION**

FIG. 1 is a perspective view of a solar spotlight showing my new design;  
FIG. 2 is a front elevational view thereof;  
FIG. 3 is a rear elevational view thereof;  
FIG. 4 is a left side elevational view thereof;  
FIG. 5 is a right side elevational view thereof;  
FIG. 6 is a top plan view thereof; and,  
FIG. 7 is a bottom plan view thereof.

**1 Claim, 7 Drawing Sheets**



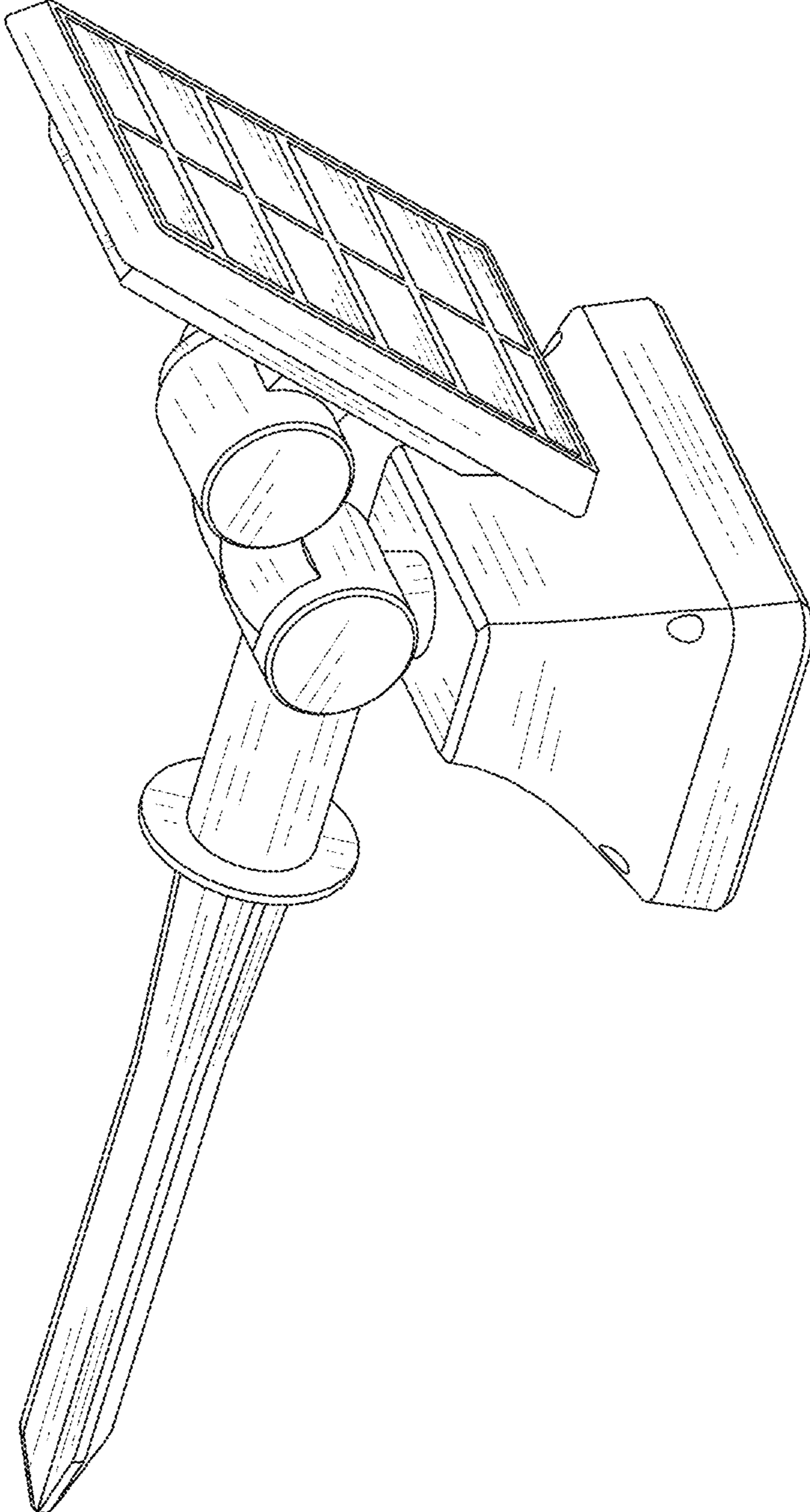


FIG.1

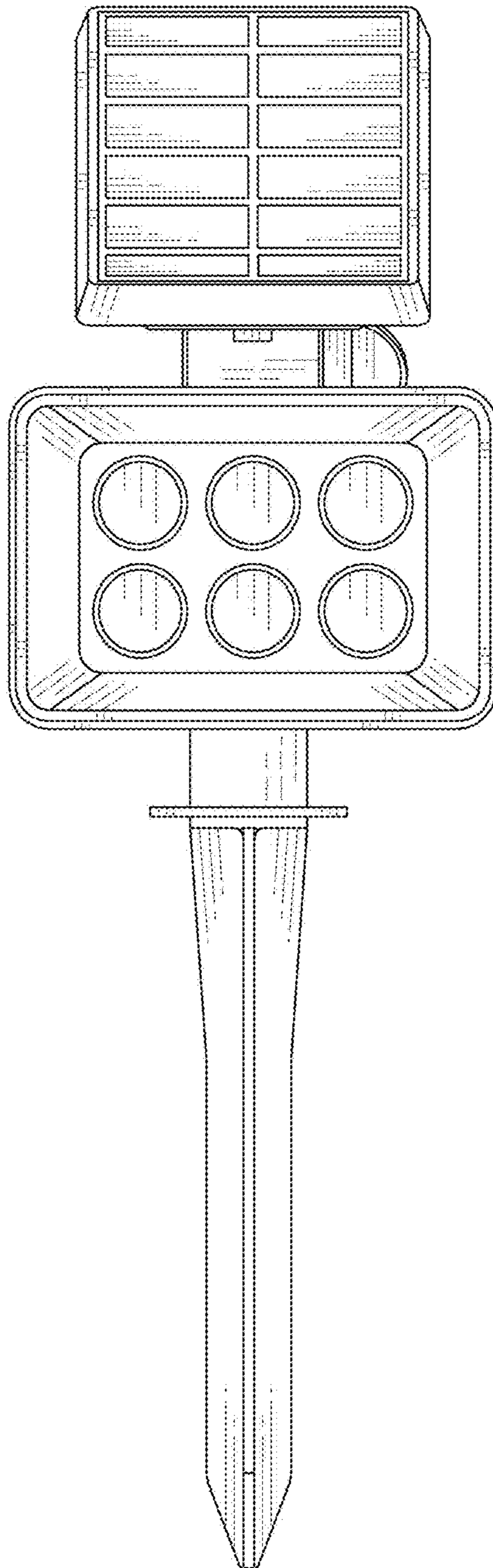


FIG.2

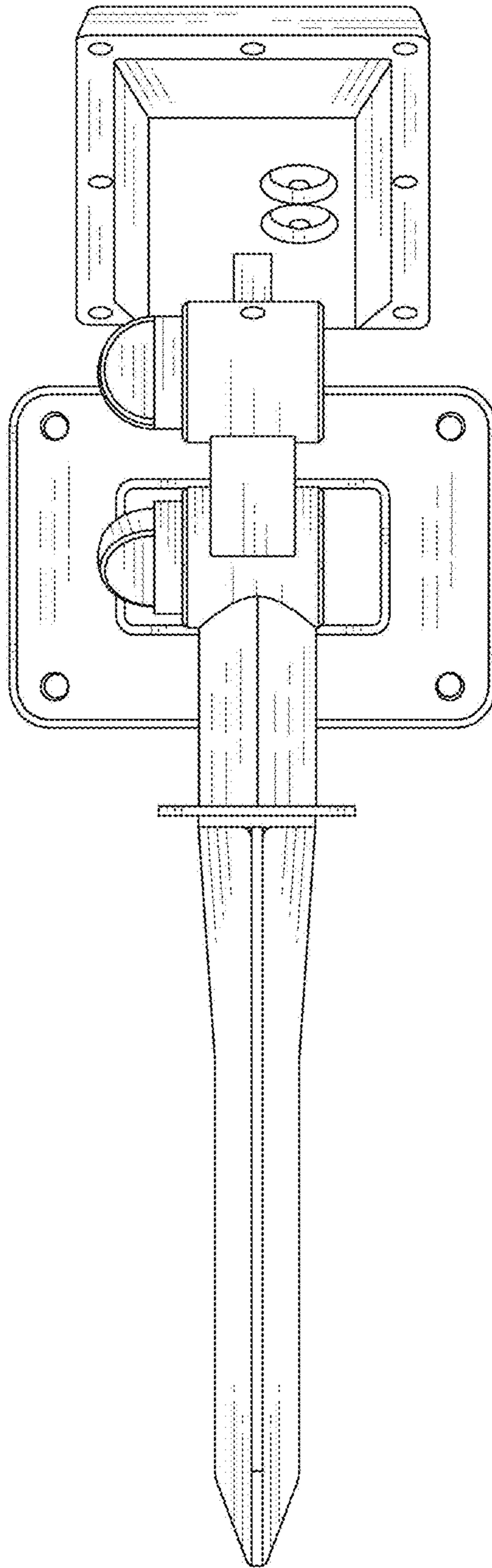


FIG.3

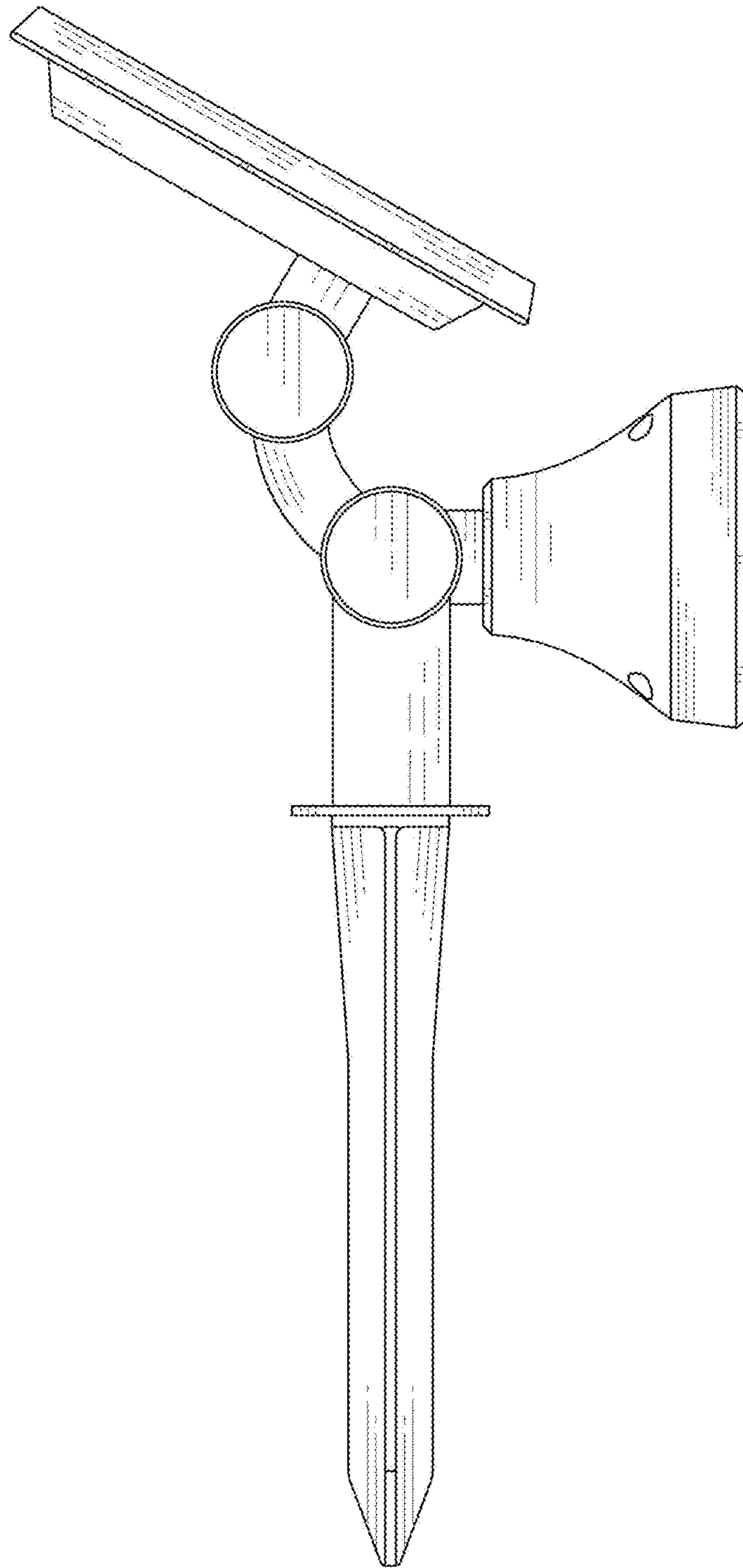


FIG.4



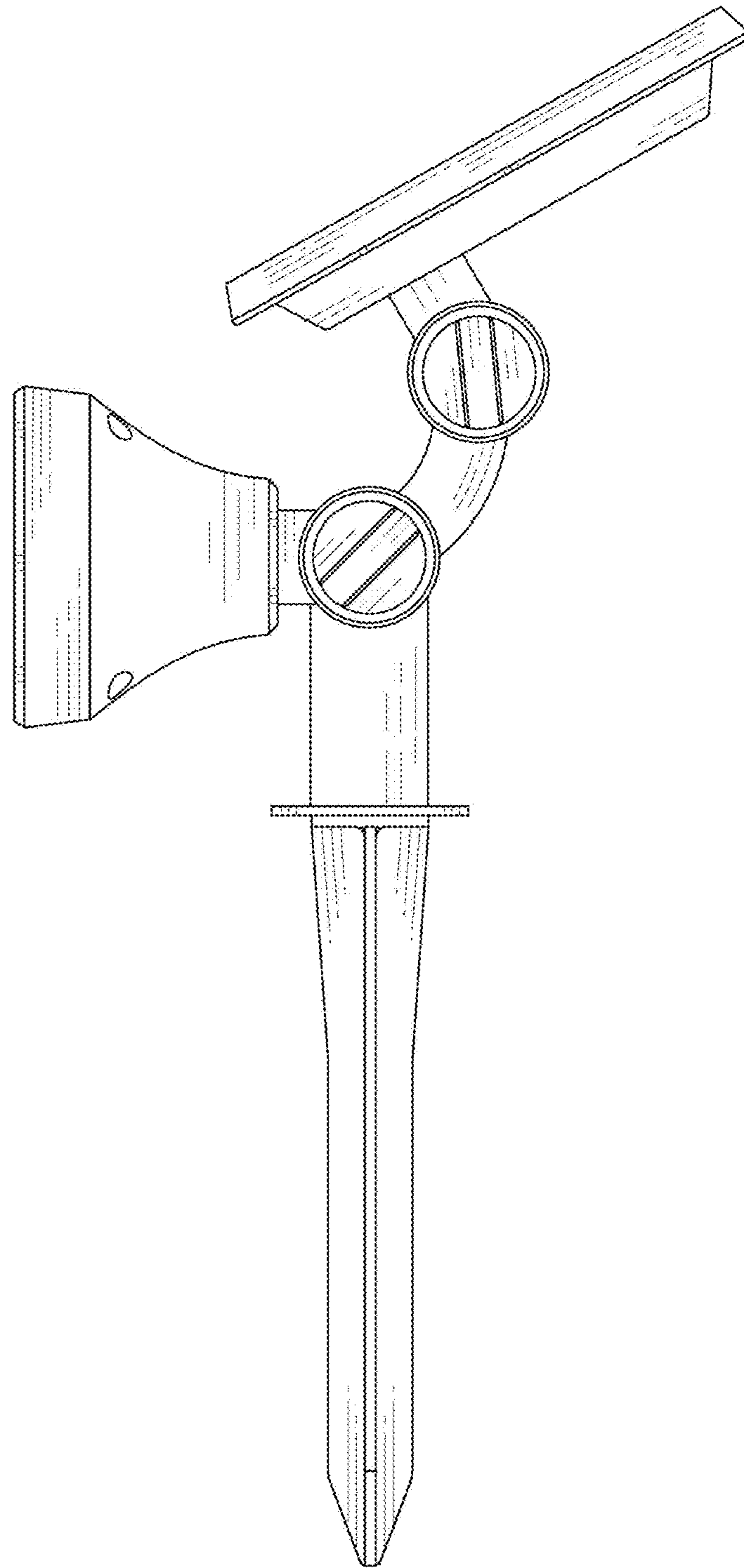


FIG.5

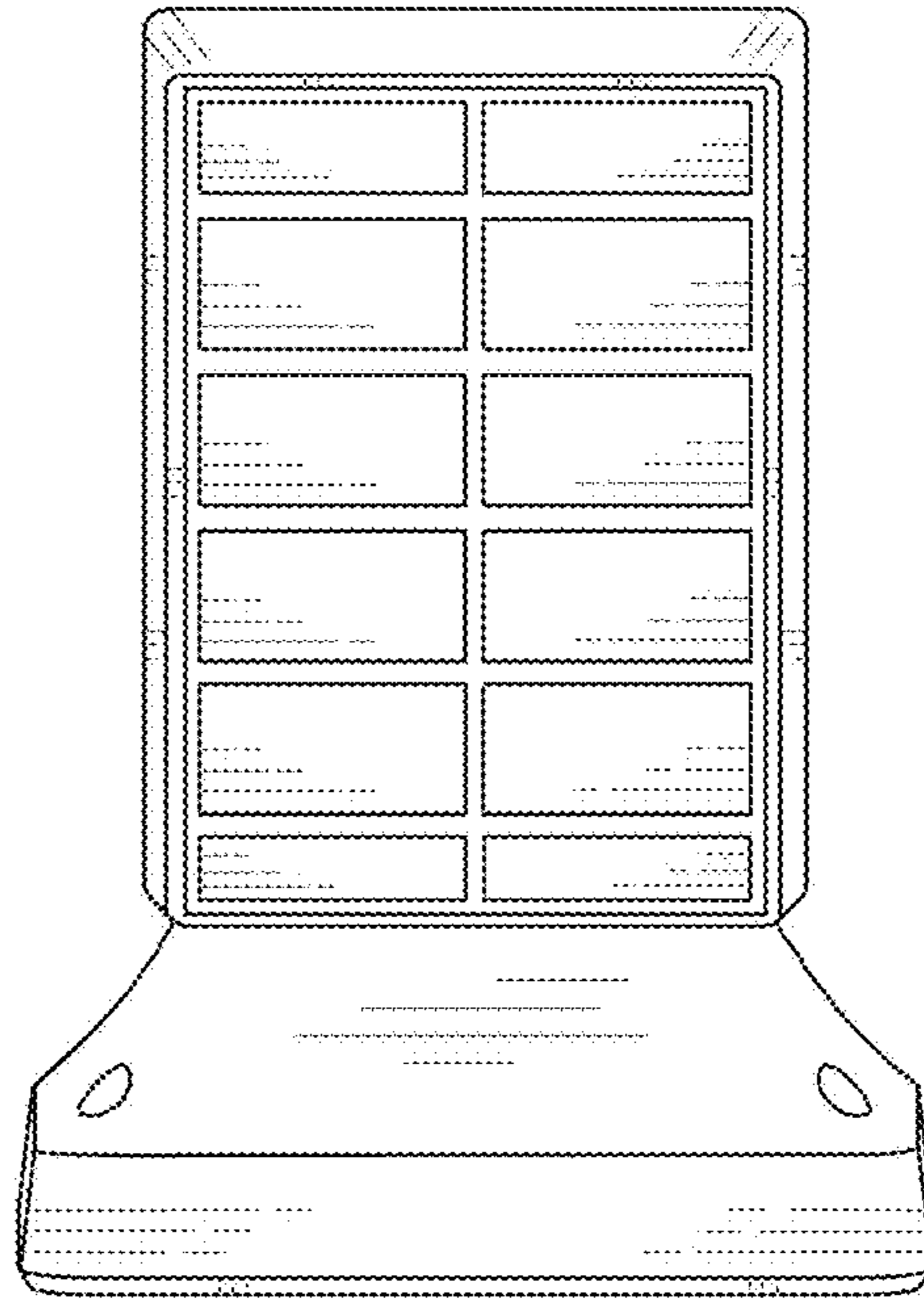


FIG.6

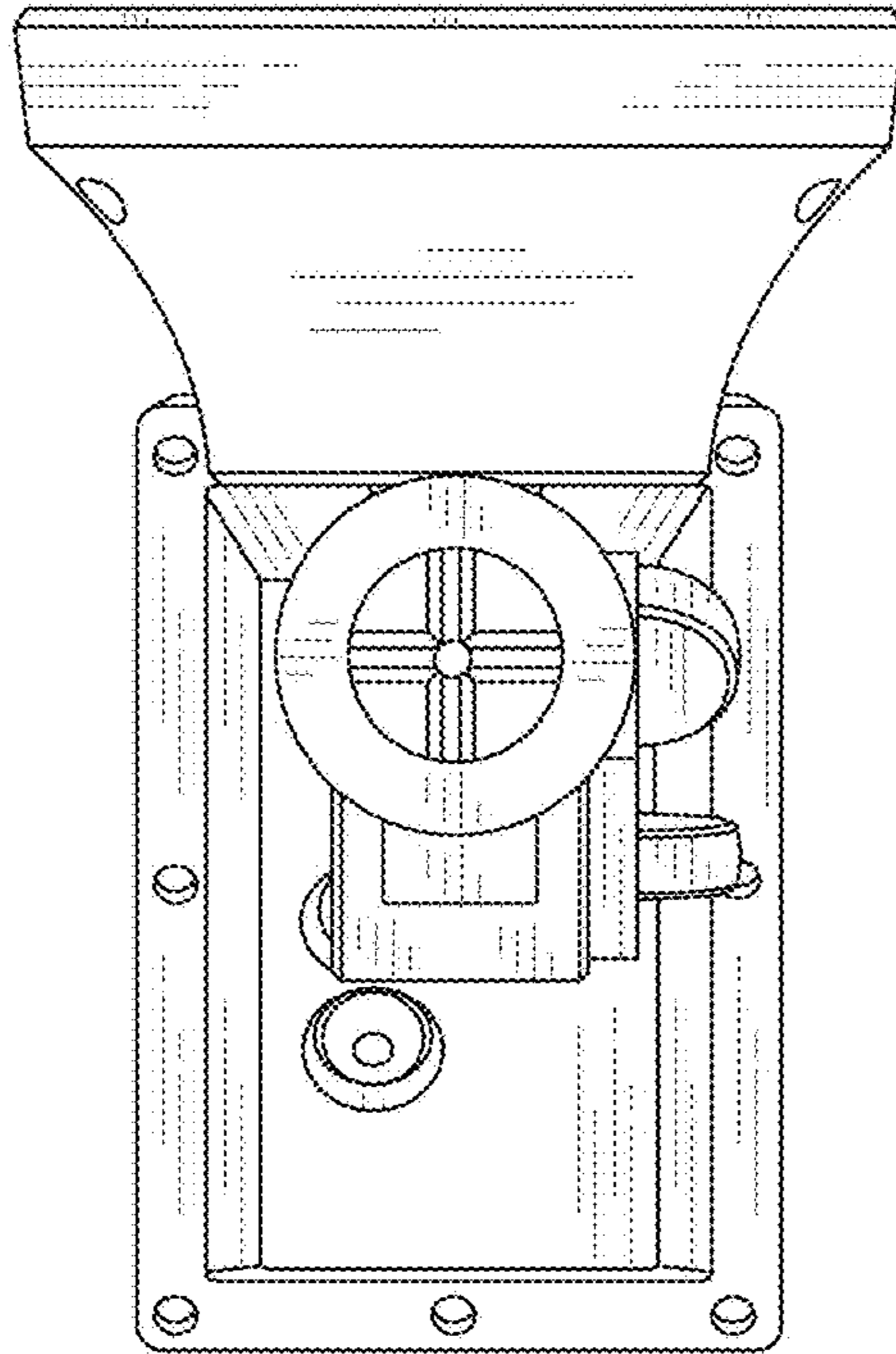


FIG.7