



US00D914940S

(12) **United States Design Patent**
Hamasaki

(10) **Patent No.:** **US D914,940 S**
(45) **Date of Patent:** **** Mar. 30, 2021**

(54) **BICYCLE LIGHT HOUSING**

D884,947 S * 5/2020 Tang D26/60
10,766,554 B1 * 9/2020 Emerson B62J 6/015

(71) Applicant: **Noriaki Hamasaki**, Lake Forest, CA
(US)

* cited by examiner

(72) Inventor: **Noriaki Hamasaki**, Lake Forest, CA
(US)

Primary Examiner — Brian N. Vinson

(**) Term: **15 Years**

(57) **CLAIM**

I claim an ornamental design for a bicycle light housing, as shown and described.

(21) Appl. No.: **29/694,854**

DESCRIPTION

(22) Filed: **Jun. 13, 2019**

(51) **LOC (13) Cl.** **26-03**

(52) **U.S. Cl.**
USPC **D26/60; D26/28**

(58) **Field of Classification Search**
USPC D26/28, 60; D8/334
CPC B62J 6/001; B62J 6/02; B62J 6/003; F21S
4/00; F21S 48/00; F21S 48/20; F21V
21/00; F21V 21/08; F21V 21/088; F21W
2101/023

See application file for complete search history.

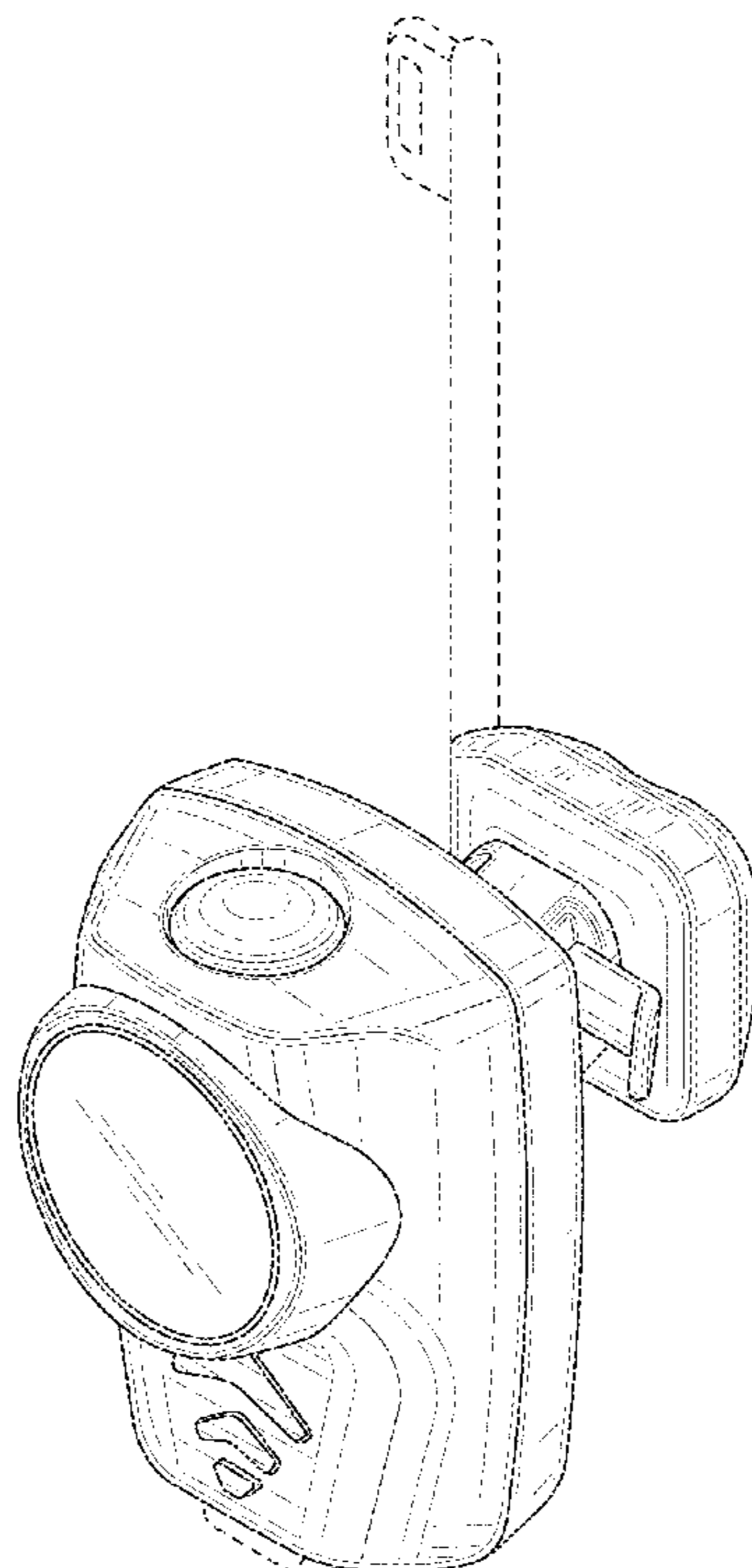
(56) **References Cited**

U.S. PATENT DOCUMENTS

D697,244 S * 1/2014 McKechnie D26/60
9,016,911 B2 * 4/2015 Kurumatani F21V 23/0414
362/473
D760,931 S * 7/2016 Davies D26/28
D766,480 S * 9/2016 Bo D26/60
D768,322 S * 10/2016 Feustel D26/60
D840,079 S * 2/2019 Marshall D26/60
D874,700 S * 2/2020 Shirota D26/60
D882,139 S * 4/2020 Benoit D26/60

FIG. 1 is an upper right top isometric view of the bicycle light housing;
FIG. 2 is a right bottom isometric view of the bicycle light housing;
FIG. 3 is a left top isometric view of the bicycle light housing;
FIG. 4 is a left bottom isometric view of the bicycle light housing;
FIG. 5 is a front elevational view of the bicycle light housing;
FIG. 6 is a back elevational view of the bicycle light housing;
FIG. 7 is a left side elevational view of the bicycle light housing;
FIG. 8 is a right side elevational view of the bicycle light housing; and
FIG. 9 is a top plan view of the bicycle light housing; and,
FIG. 10 is a bottom plan view of the bicycle light housing.
The broken-line disclosures, as shown through the FIGS. 1-10, are understood to represent portions of the article in which the claimed design may be embodied, but which form no part of the claimed design.

1 Claim, 10 Drawing Sheets



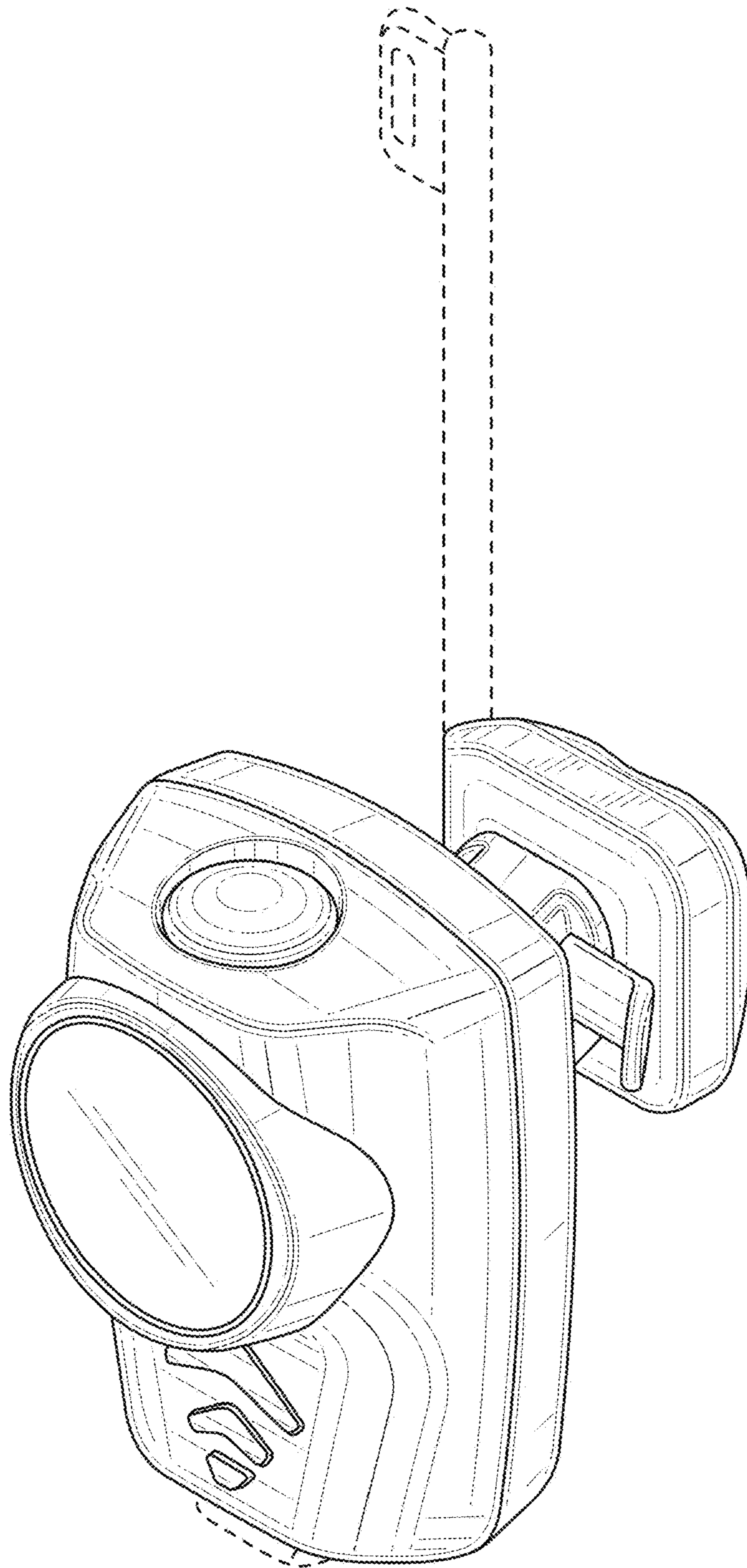


FIG. 1

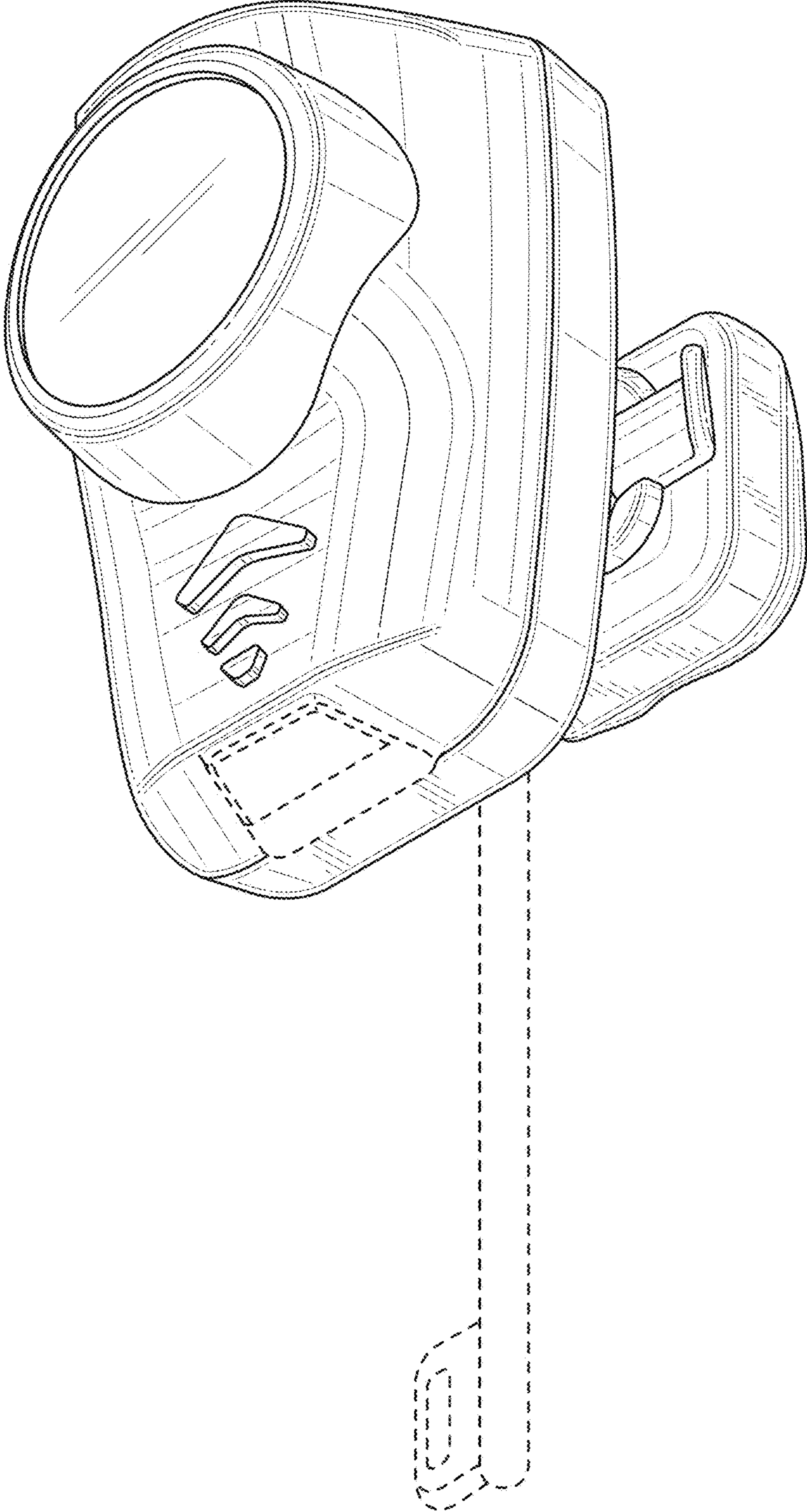


FIG. 2

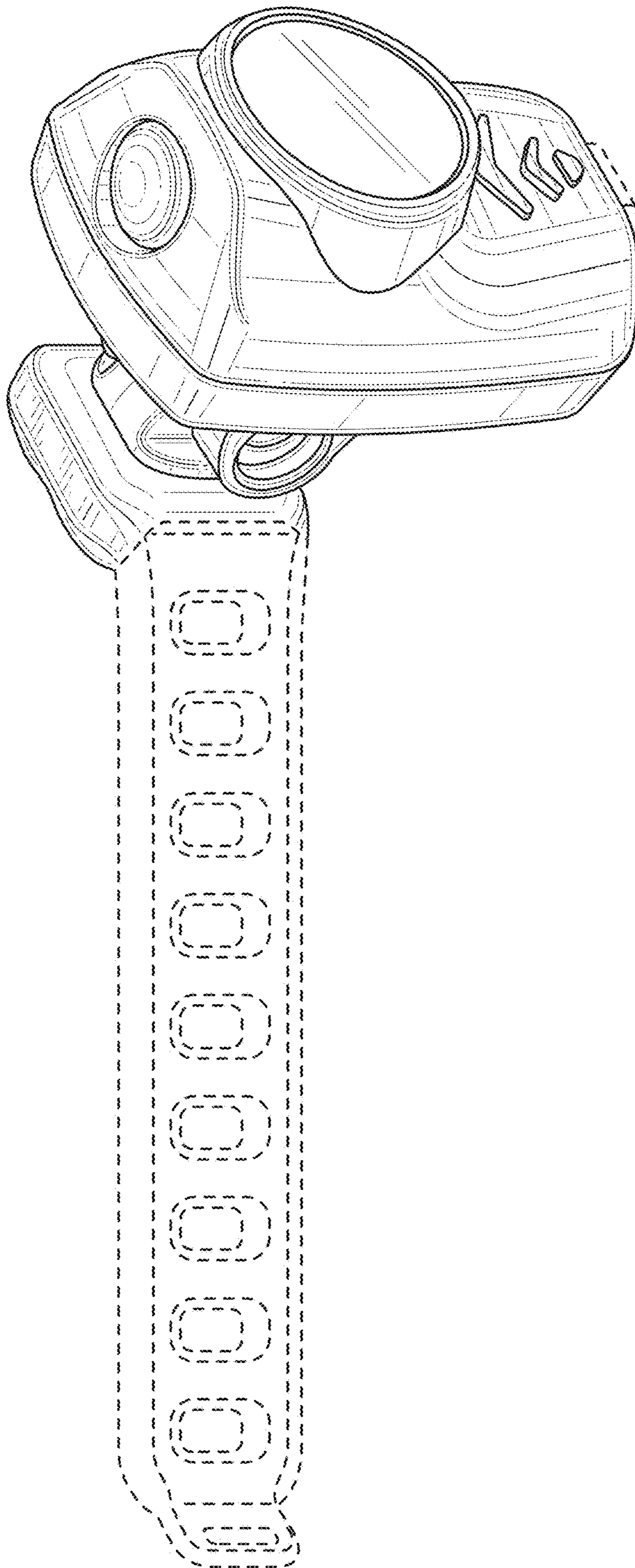


FIG. 3

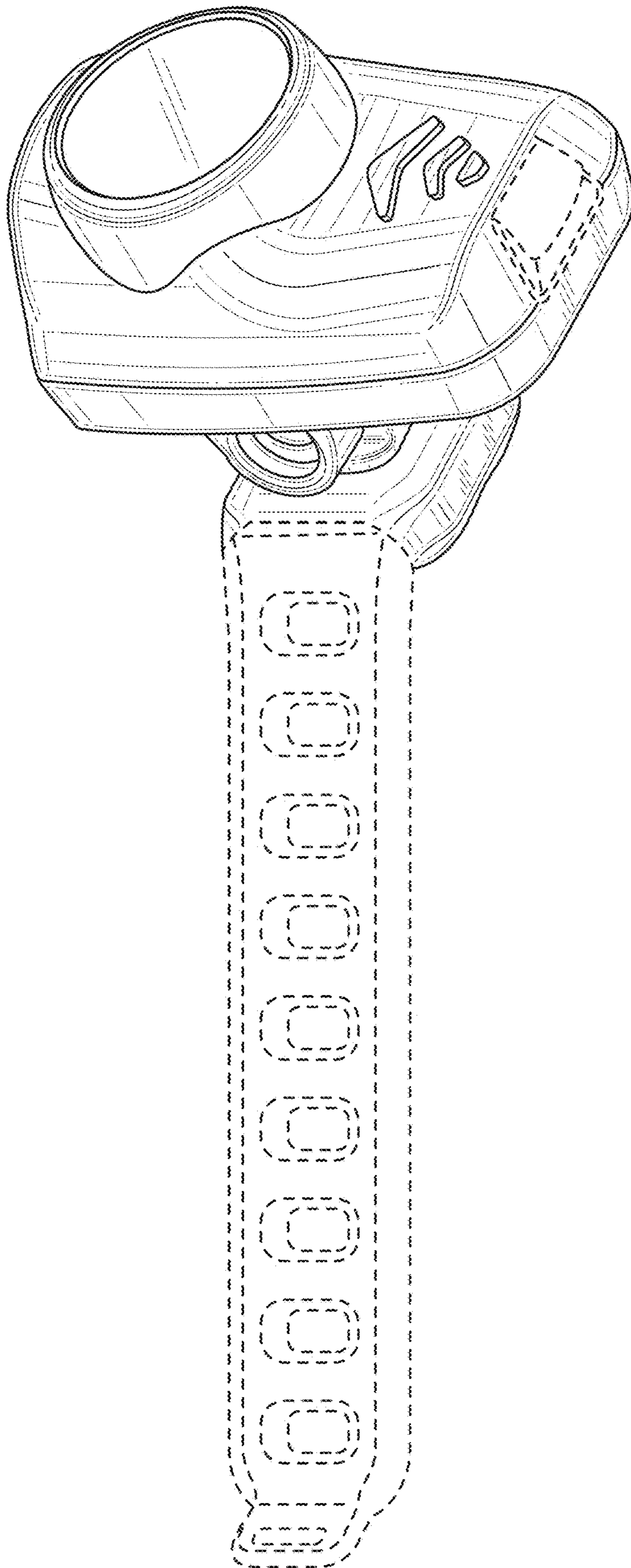


FIG. 4

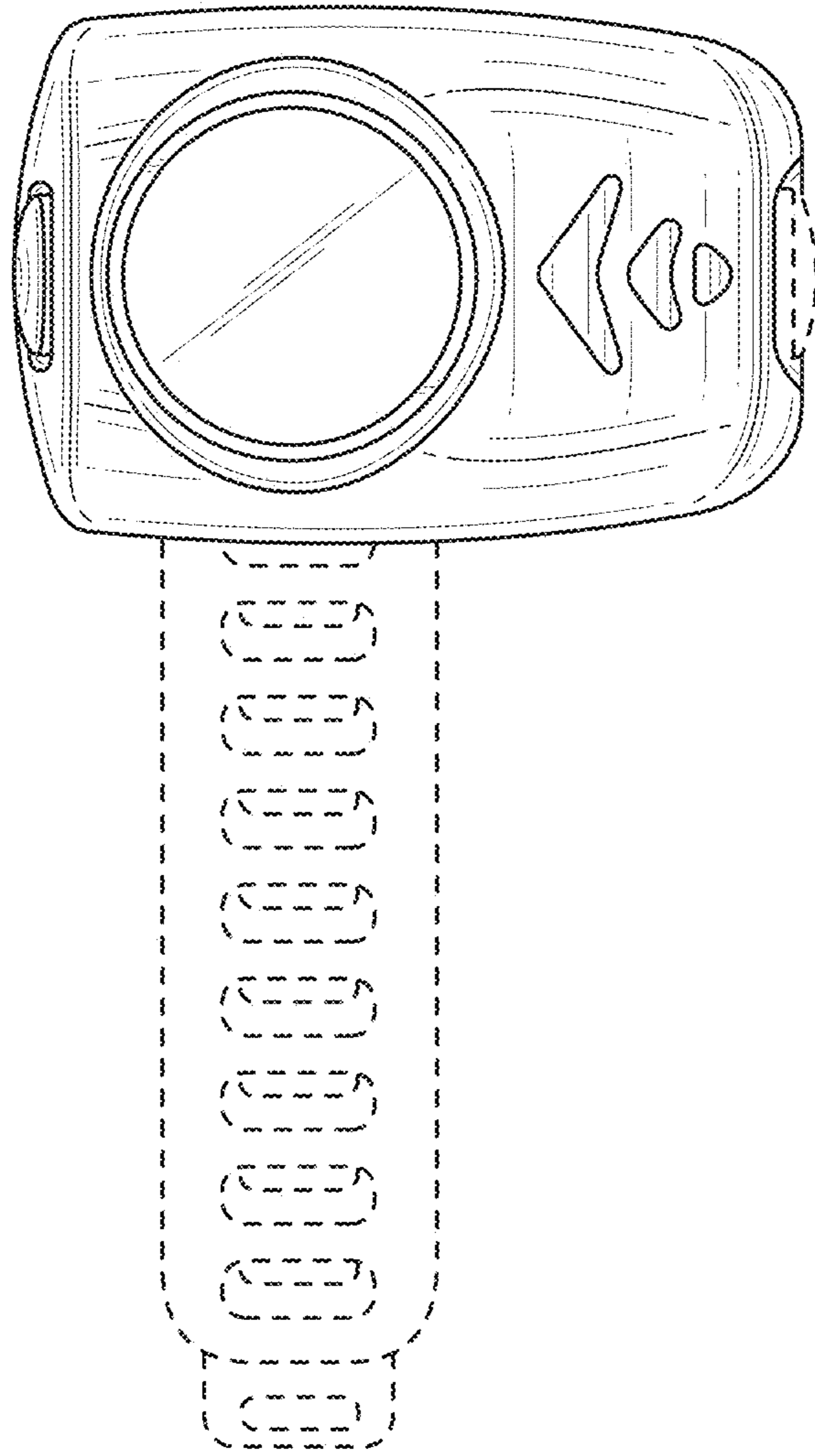


FIG. 5

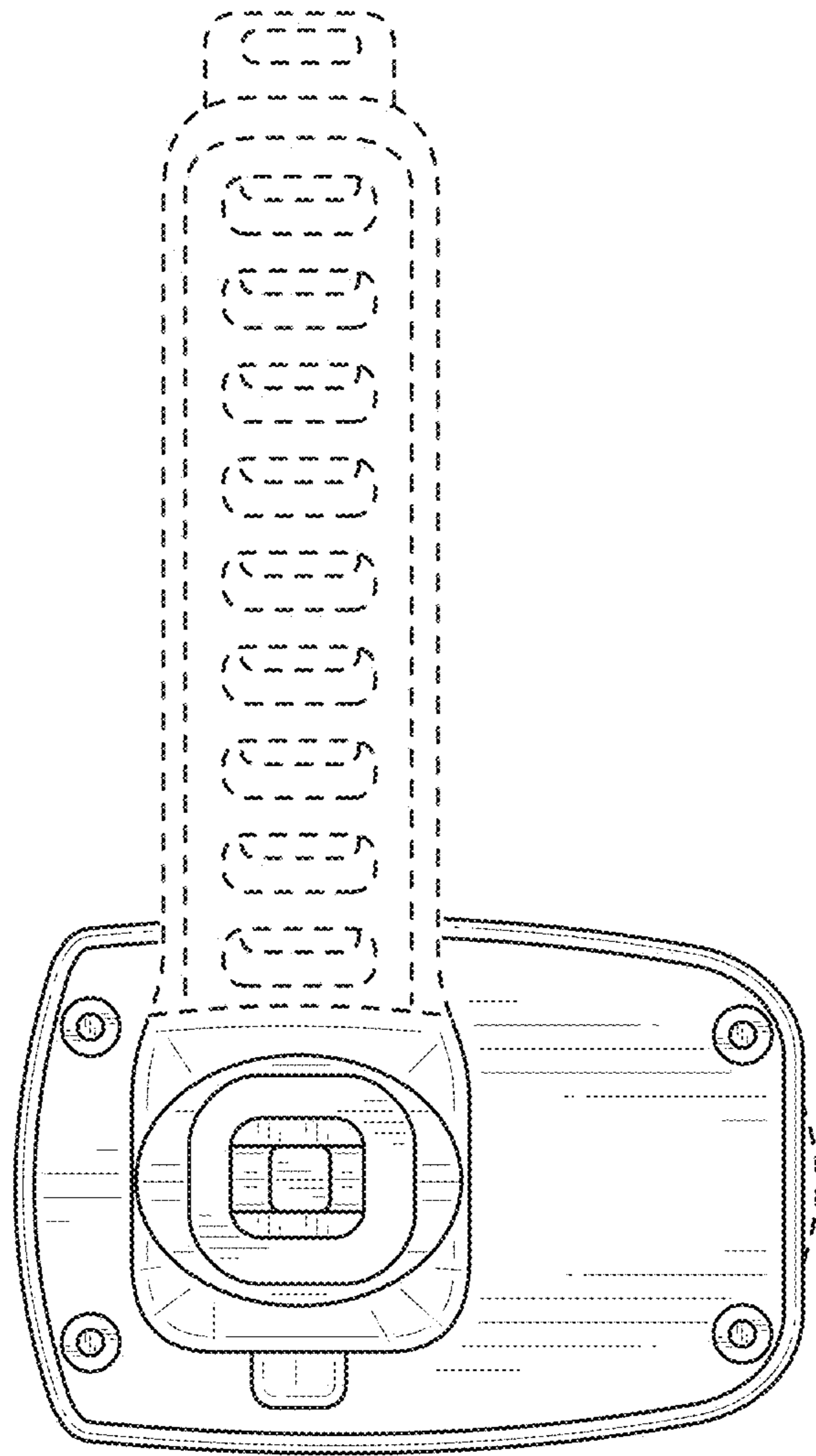


FIG. 6

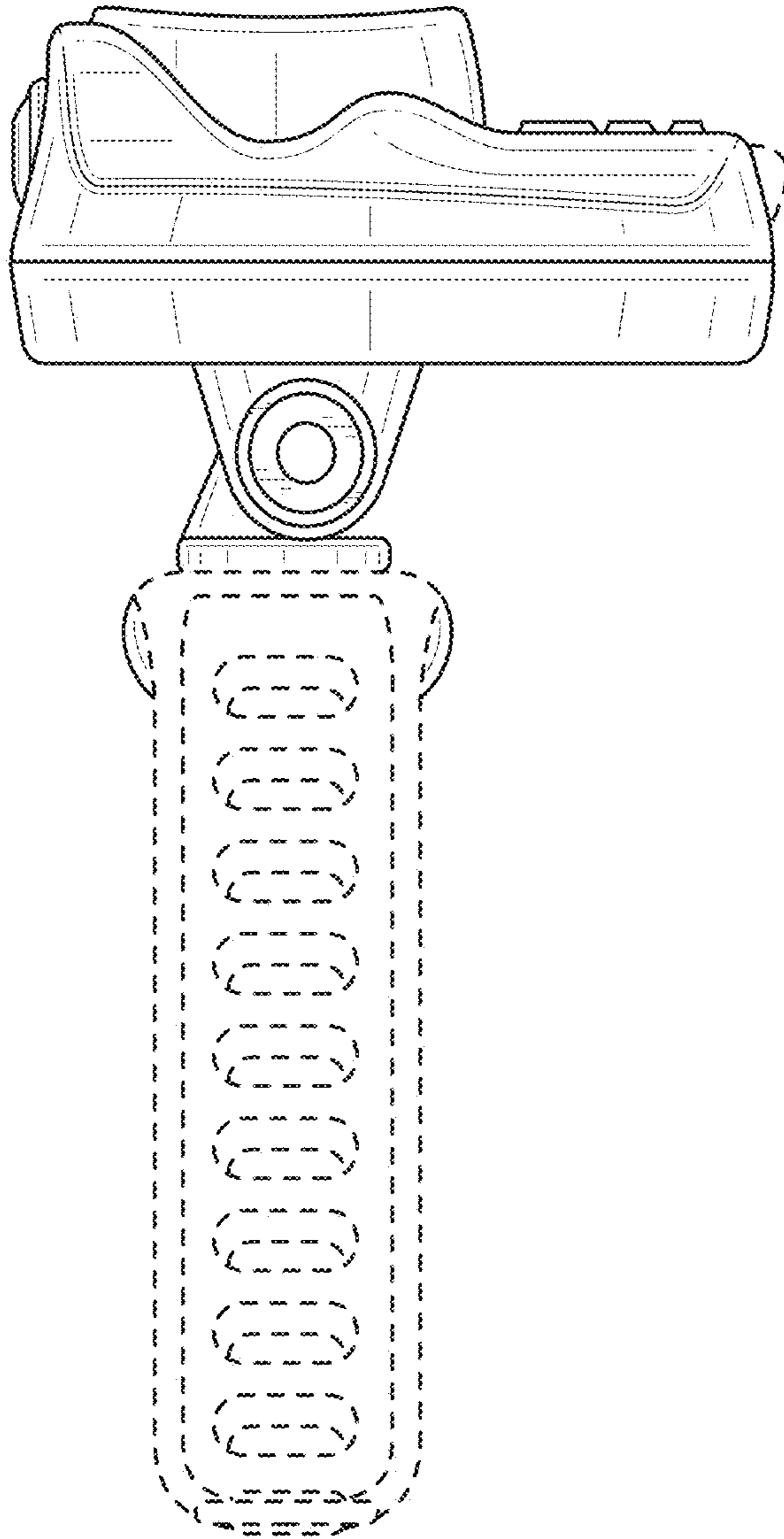


FIG. 7

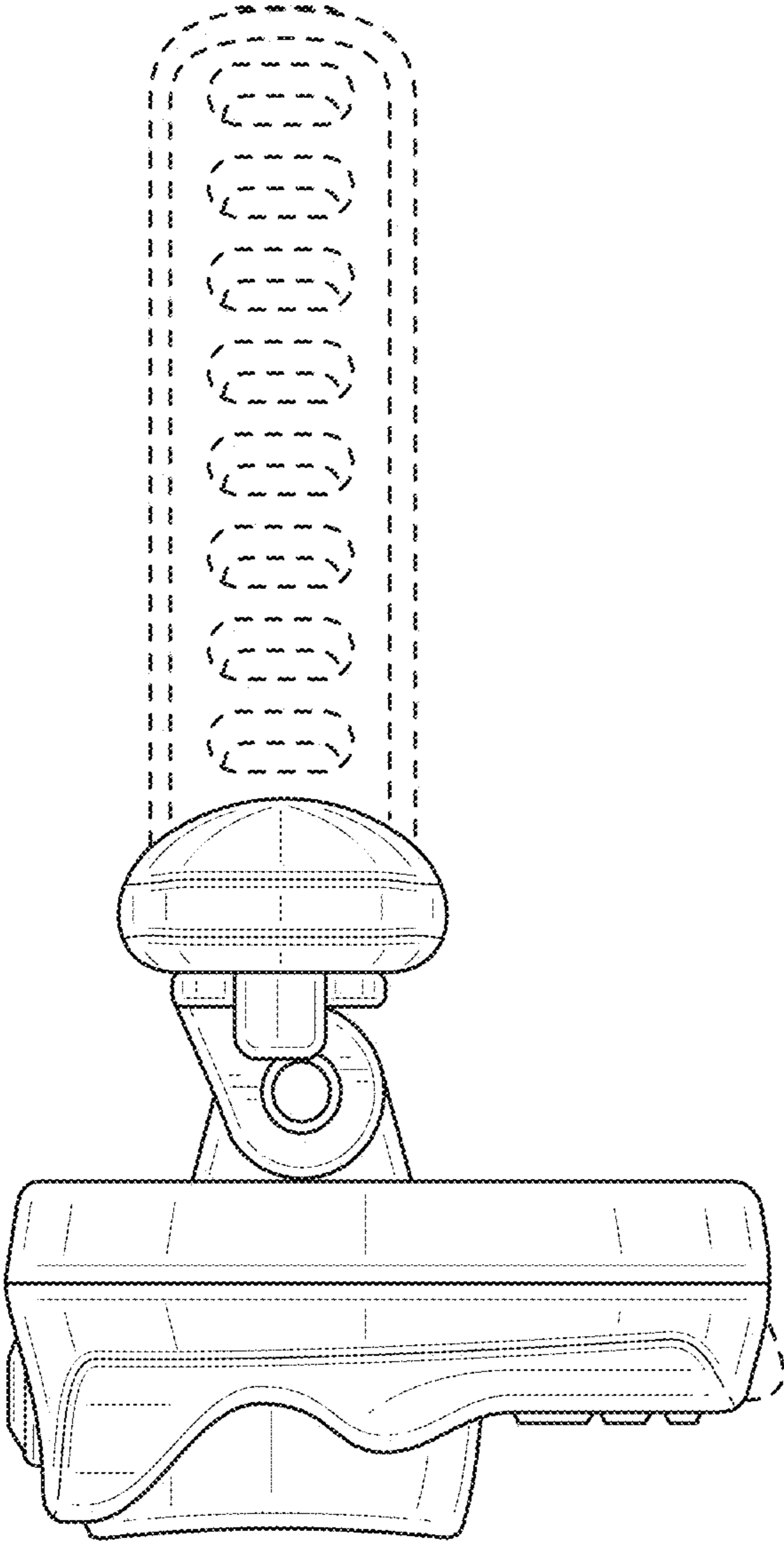


FIG. 8

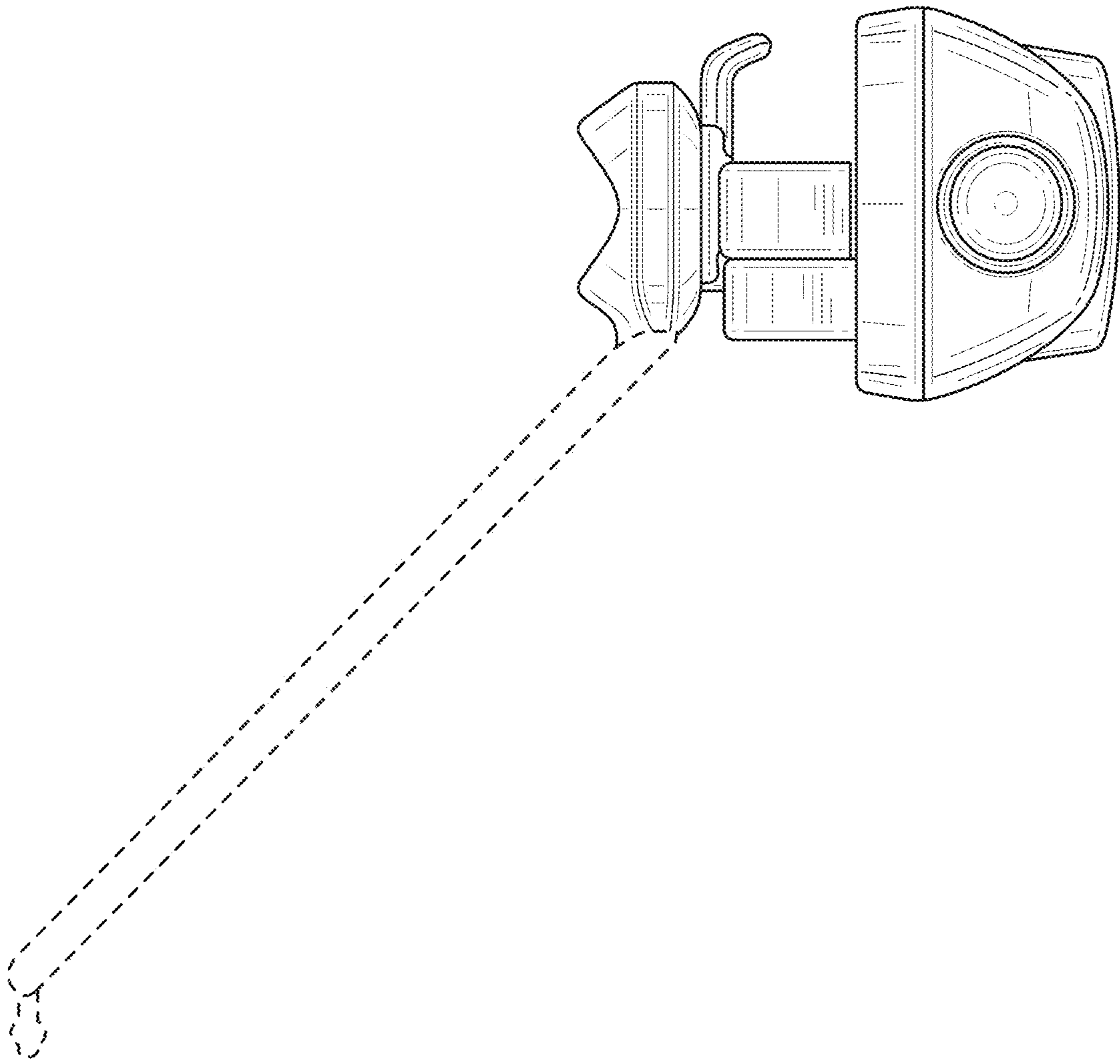


FIG. 9

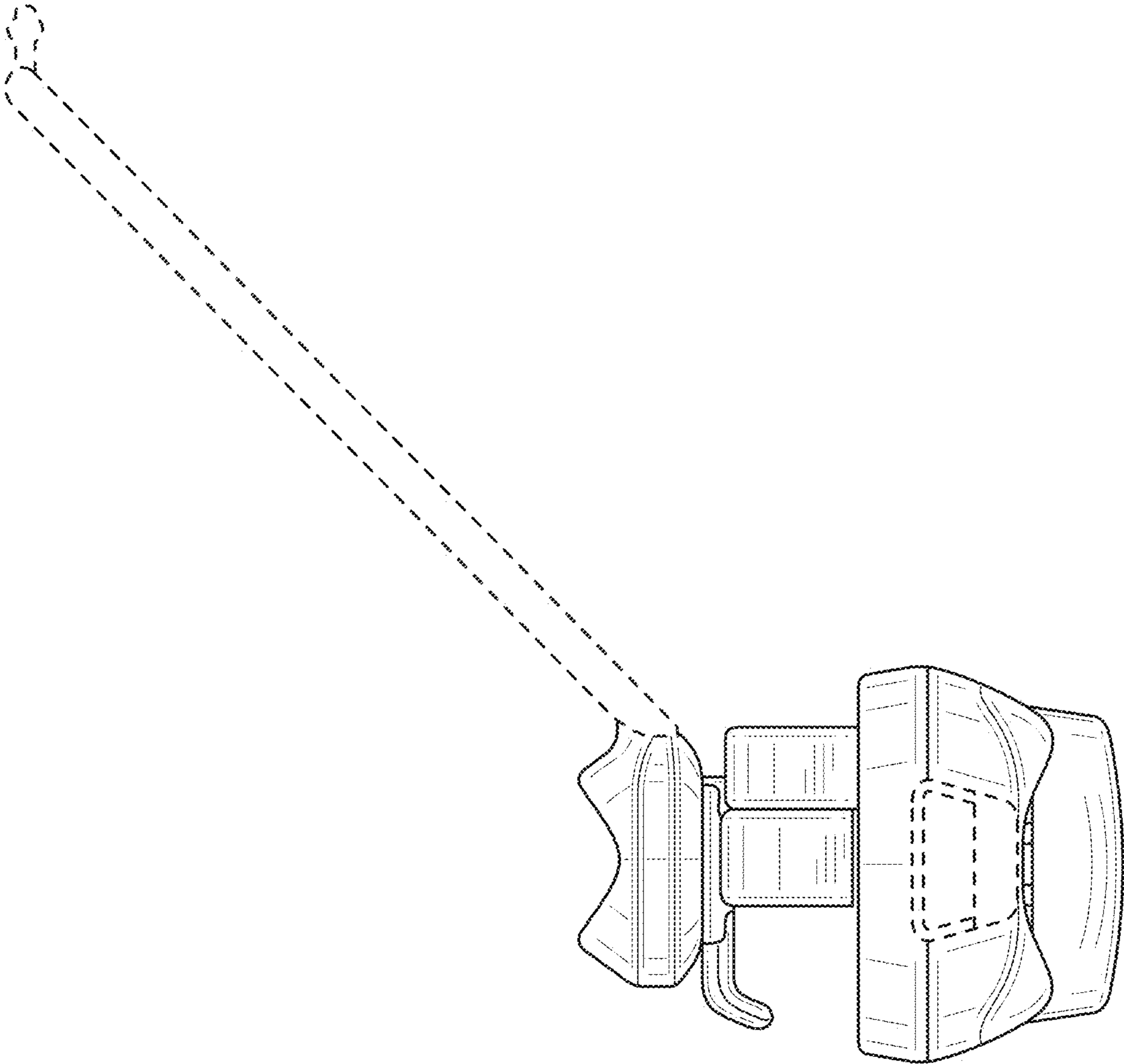


FIG. 10