



US00D914938S

(12) **United States Design Patent**
Qiu

(10) **Patent No.:** **US D914,938 S**

(45) **Date of Patent:** **** Mar. 30, 2021**

(54) **FLASHLIGHT**

(71) Applicant: **NINGBO FUTAI ELECTRIC LIMITED**, Zhejiang (CN)

(72) Inventor: **Fujun Qiu**, Ningbo (CN)

(73) Assignee: **NINGBO FUTAI ELECTRIC LIMITED**, Zhejiang (CN)

(**) Term: **15 Years**

(21) Appl. No.: **29/685,008**

(22) Filed: **Mar. 26, 2019**

(51) **LOC (13) Cl.** **26-02**

(52) **U.S. Cl.**
USPC **D26/49**

(58) **Field of Classification Search**
USPC D26/37-38, 40-42, 46, 49-50
CPC F21L 2003/00; F21L 4/00; F21L 4/005;
F21L 4/02; F21L 4/022; F21L 4/025;
F21L 4/027; F21L 4/04; F21L 4/045;
F21L 4/08; F21L 4/085; F21L 14/02
See application file for complete search history.

(56) **References Cited**

U.S. PATENT DOCUMENTS

D309,952 S *	8/1990	Lee	D26/49
6,193,388 B1 *	2/2001	Halasz	F21V 14/045
				362/205
D489,469 S *	5/2004	Liou	D26/37
D498,552 S *	11/2004	Chen	D26/37
6,814,465 B2 *	11/2004	Forsythe	F21L 4/005
				362/109
D510,450 S *	10/2005	Chen	D26/37
D512,168 S *	11/2005	Suzuki	D26/37
D529,643 S *	10/2006	Kung	D26/37
D546,988 S *	7/2007	Shiu	D26/37
D557,836 S *	12/2007	Shiu	D26/37
RE40,171 E *	3/2008	Halasz	F21L 4/005
				362/205
D567,415 S *	4/2008	Shiu	D26/37
D583,972 S *	12/2008	Shiu	D26/49

D583,973 S *	12/2008	Shiu	D26/49
D586,488 S *	2/2009	Kung	D26/49
D586,489 S *	2/2009	Shiu	D26/49
D596,772 S *	7/2009	Chang	D26/49

(Continued)

OTHER PUBLICATIONS

grainger.com: Tactical LED Handheld Flashlight. Undated online product page. Retrieved on Oct. 27, 2020 from <https://www.grainger.com/product/449U08?gclid=EAlalQobChMlm6_1lYrV7AIV0eaGCh276QivEAQYASABEgLSivD_BwE&cm_mmc=...> (Year: 2020).*

Primary Examiner — Sheryl Lane

Assistant Examiner — Stacey L Hopkins

(74) *Attorney, Agent, or Firm* — Raymond Y. Chan; David and Raymond Patent Firm

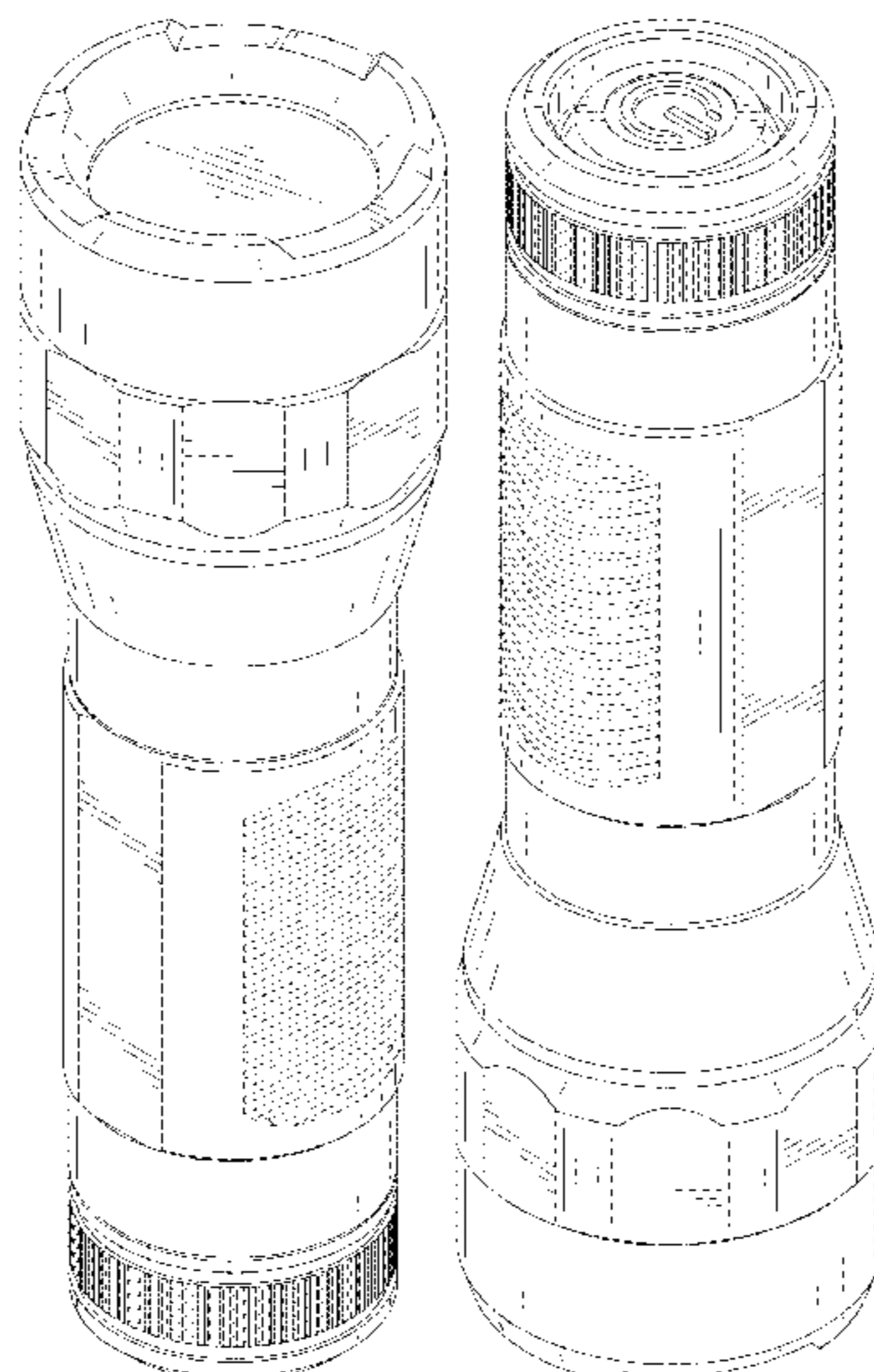
(57) **CLAIM**

The ornamental design for a flashlight, as shown and described.

DESCRIPTION

FIG. 1 is a front view of the flashlight showing my new design;
FIG. 2 is a rear view thereof;
FIG. 3 is a left view thereof;
FIG. 4 is a right view thereof;
FIG. 5 is a top view thereof;
FIG. 6 is a bottom view thereof;
FIG. 7 is a front perspective view thereof;
FIG. 8 is a rear perspective view thereof;
FIG. 9 is a front perspective view thereof, illustrating the flashlight at an operated condition when a handle is pulled to extend its length; and,
FIG. 10 is a front perspective view thereof, illustrating the flashlight at the operated condition.
Throughout the drawings the broken lines depict portions of the flashlight that form no part of the claimed design.

1 Claim, 10 Drawing Sheets



(56)

References Cited

U.S. PATENT DOCUMENTS

D597,235 S * 7/2009 Chang D26/49
 D600,382 S * 9/2009 Chen D26/49
 D600,383 S * 9/2009 Chen D26/49
 D600,384 S * 9/2009 Chen D26/49
 D601,285 S * 9/2009 Chen D26/49
 D601,287 S * 9/2009 Caniparoli D26/49
 7,581,848 B1 * 9/2009 Parsons F21L 4/027
 200/60
 D601,736 S * 10/2009 Swan D26/49
 D603,990 S * 11/2009 Brown D26/49
 7,670,023 B1 * 3/2010 Peterson F21L 4/08
 362/183
 7,784,963 B2 * 8/2010 Galli F21V 29/89
 362/184
 D624,677 S * 9/2010 Deguglimo D26/49
 D625,448 S * 10/2010 Brown D26/49
 D629,543 S * 12/2010 Deguglimo D26/49
 D629,544 S * 12/2010 Deguglimo D26/49
 D629,545 S * 12/2010 Deguglimo D26/49
 D629,546 S * 12/2010 Deguglimo D26/49
 D629,940 S * 12/2010 Osterhout D26/38
 D629,941 S * 12/2010 Robinson D26/49
 7,896,518 B2 * 3/2011 Holmes F21L 4/027
 362/184
 D639,476 S * 6/2011 Robinson D26/49
 D643,561 S * 8/2011 Maglica D26/49
 D645,181 S * 9/2011 Garcia D26/49
 D647,232 S * 10/2011 Liu D26/49
 8,104,915 B1 * 1/2012 Osterhout F21L 4/005
 362/200
 D659,870 S * 5/2012 Cooper D26/49
 D670,418 S * 11/2012 Lee D26/49
 D675,357 S * 1/2013 Shi D26/49
 D675,358 S * 1/2013 Brands D26/49
 D676,994 S * 2/2013 Lee D26/49
 D681,248 S * 4/2013 Opolka D26/49
 D685,939 S * 7/2013 Cooper D26/49
 D685,940 S * 7/2013 Lee D26/49
 D687,987 S * 8/2013 Ancona D26/46
 D701,339 S * 3/2014 Opolka D26/49
 D701,340 S * 3/2014 Opolka D26/49
 D703,358 S * 4/2014 Shiu D26/49
 8,702,267 B2 * 4/2014 Robinson F21V 21/0965
 362/157
 D706,475 S * 6/2014 Lee D26/49
 D706,476 S * 6/2014 Lee D26/49
 D706,969 S * 6/2014 Casciotti D26/49
 D719,286 S * 12/2014 Inskeep D26/49

8,919,988 B2 * 12/2014 Unger F21L 14/02
 362/157
 D725,303 S * 3/2015 Kunzendorf D26/49
 D726,945 S * 4/2015 Kunzendorf D26/49
 D732,721 S * 6/2015 Popper D26/49
 D732,722 S * 6/2015 Kunzendorf D26/49
 9,068,727 B2 * 6/2015 Lee F21V 14/065
 D736,975 S * 8/2015 Tang D22/117
 D743,076 S * 11/2015 Robinson D26/49
 D743,599 S * 11/2015 Robinson D26/49
 D745,987 S * 12/2015 Nawaz D22/117
 D746,499 S * 12/2015 Schleder D26/113
 D748,309 S * 1/2016 Cheng D22/117
 9,247,598 B2 * 1/2016 Maglica H05B 45/00
 D767,185 S * 9/2016 Schleder D26/113
 D772,455 S * 11/2016 Chen D26/38
 D775,753 S * 1/2017 Bo D26/49
 D782,603 S * 3/2017 Fan D22/117
 D783,193 S * 4/2017 Kao D26/49
 9,671,098 B2 * 6/2017 Maglica F21V 23/0414
 D792,625 S * 7/2017 Koshiba D26/49
 D799,088 S * 10/2017 Green D26/49
 D799,089 S * 10/2017 Green D26/49
 D799,090 S * 10/2017 Green D26/49
 D799,091 S * 10/2017 Green D26/49
 D802,192 S * 11/2017 Windom D26/49
 D804,696 S * 12/2017 Cheng D26/49
 D814,087 S * 3/2018 Cao D26/49
 D818,622 S * 5/2018 Kunzendorf D26/49
 D823,508 S * 7/2018 Windom D26/49
 D823,509 S * 7/2018 Kunzendorf D26/49
 D823,510 S * 7/2018 Kunzendorf D26/49
 D828,940 S * 9/2018 Qiu D26/49
 10,088,138 B2 * 10/2018 Shoulders F21V 23/0421
 D833,051 S * 11/2018 Qiu D26/49
 D842,515 S * 3/2019 Qiu D26/49
 D842,516 S * 3/2019 Qiu D26/49
 D865,250 S * 10/2019 Qiu D26/49
 D866,031 S * 11/2019 Muysshondt D26/49
 D866,830 S * 11/2019 Pan D26/49
 D870,941 S * 12/2019 Vasquez D26/37
 D874,043 S * 1/2020 Lee D26/37
 10,578,297 B1 * 3/2020 Zhu F21L 4/08
 D880,740 S * 4/2020 Galli D26/46
 D881,432 S * 4/2020 Windom D26/49
 D884,946 S * 5/2020 Muysshondt D26/49
 2011/0063823 A1 * 3/2011 Qiu F21V 19/02
 362/188
 2011/0063824 A1 * 3/2011 Qiu F21L 4/027
 362/188
 2017/0311402 A1 * 10/2017 Qiu H05B 47/19

* cited by examiner

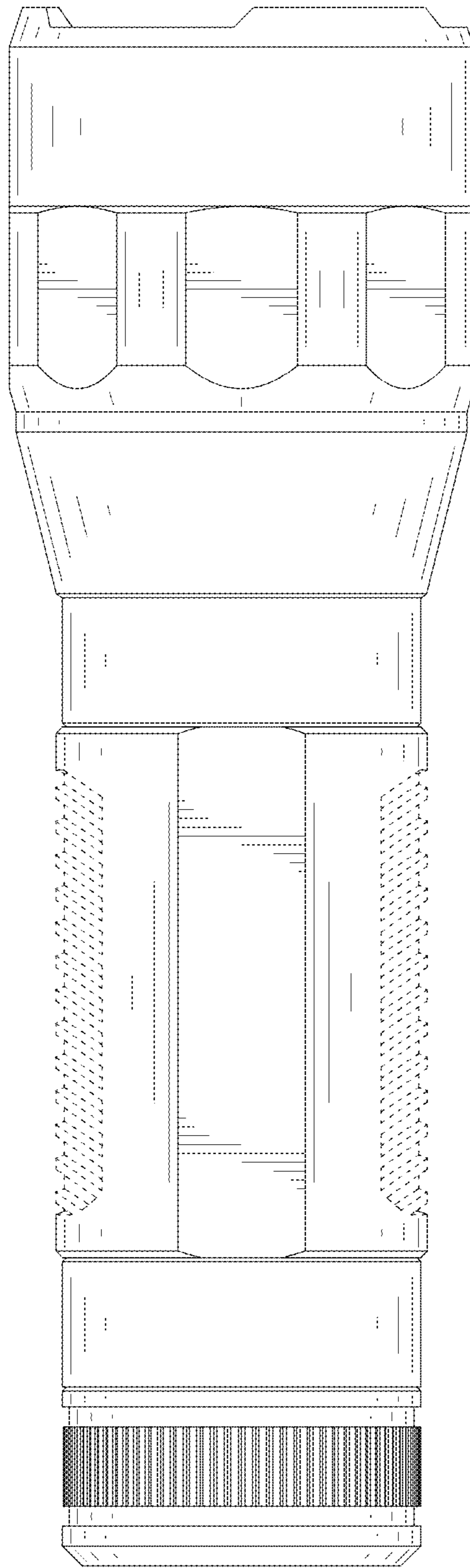


FIG.1

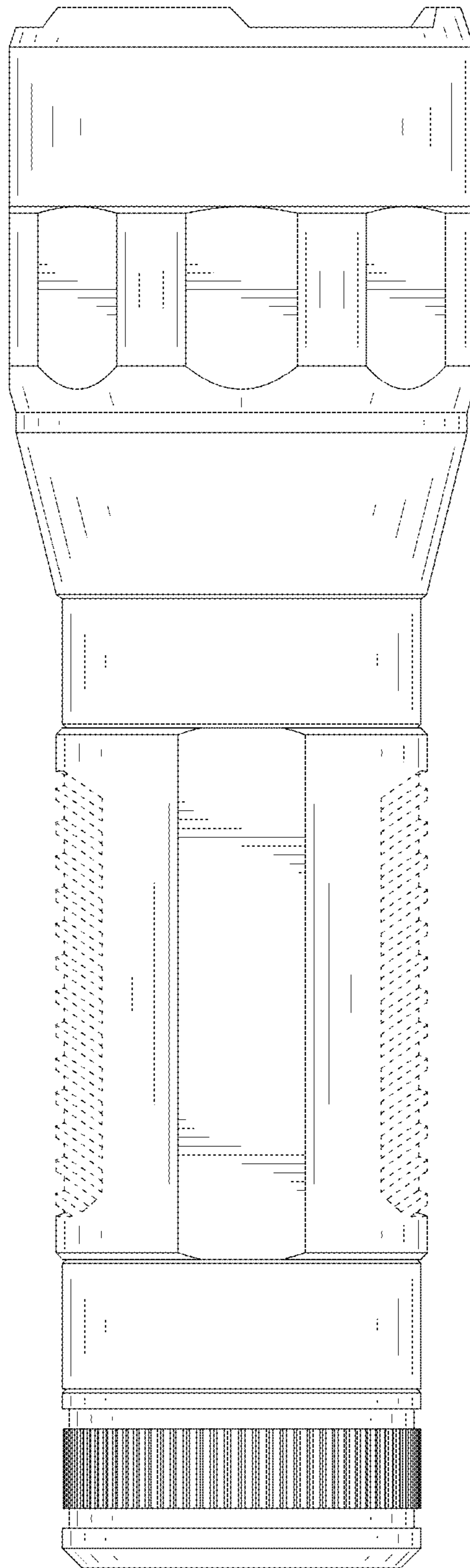


FIG.2

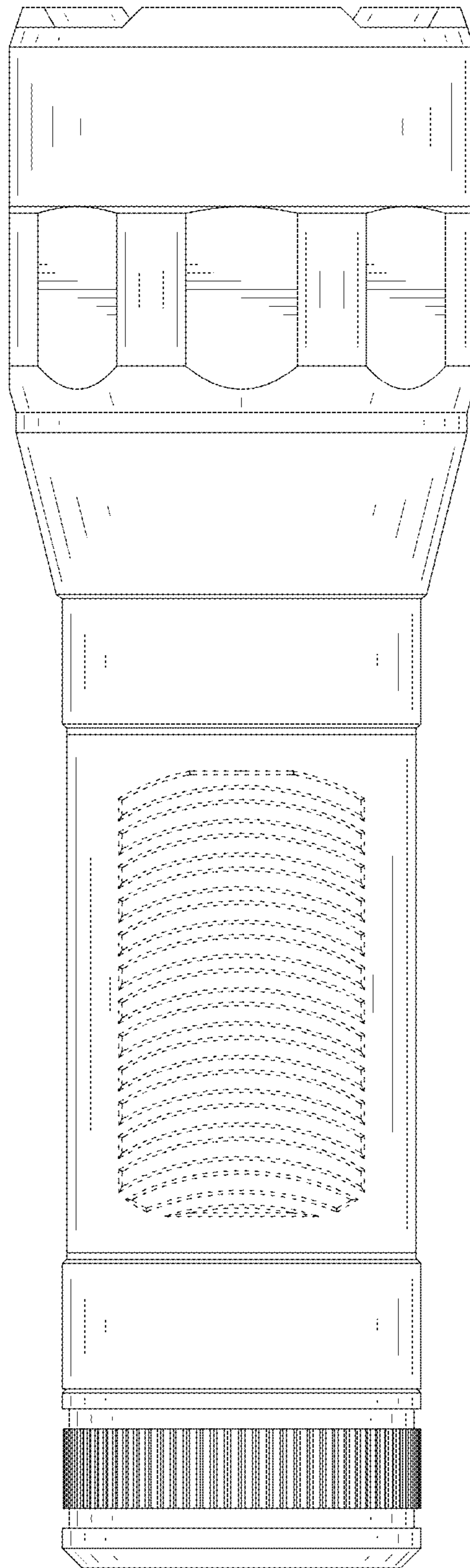


FIG.3

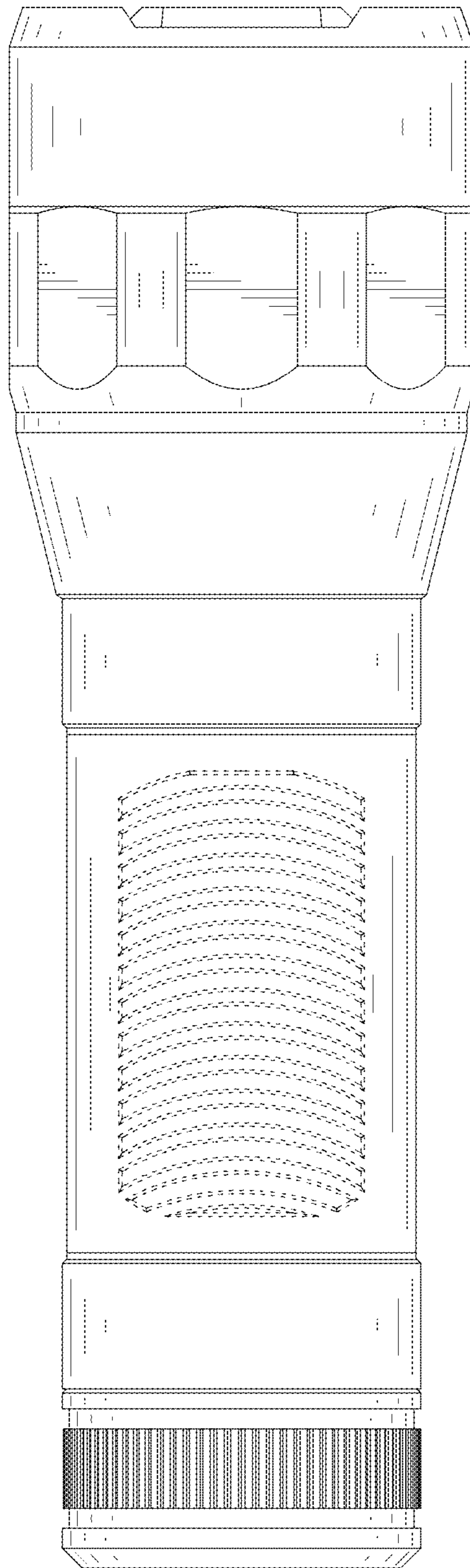


FIG.4

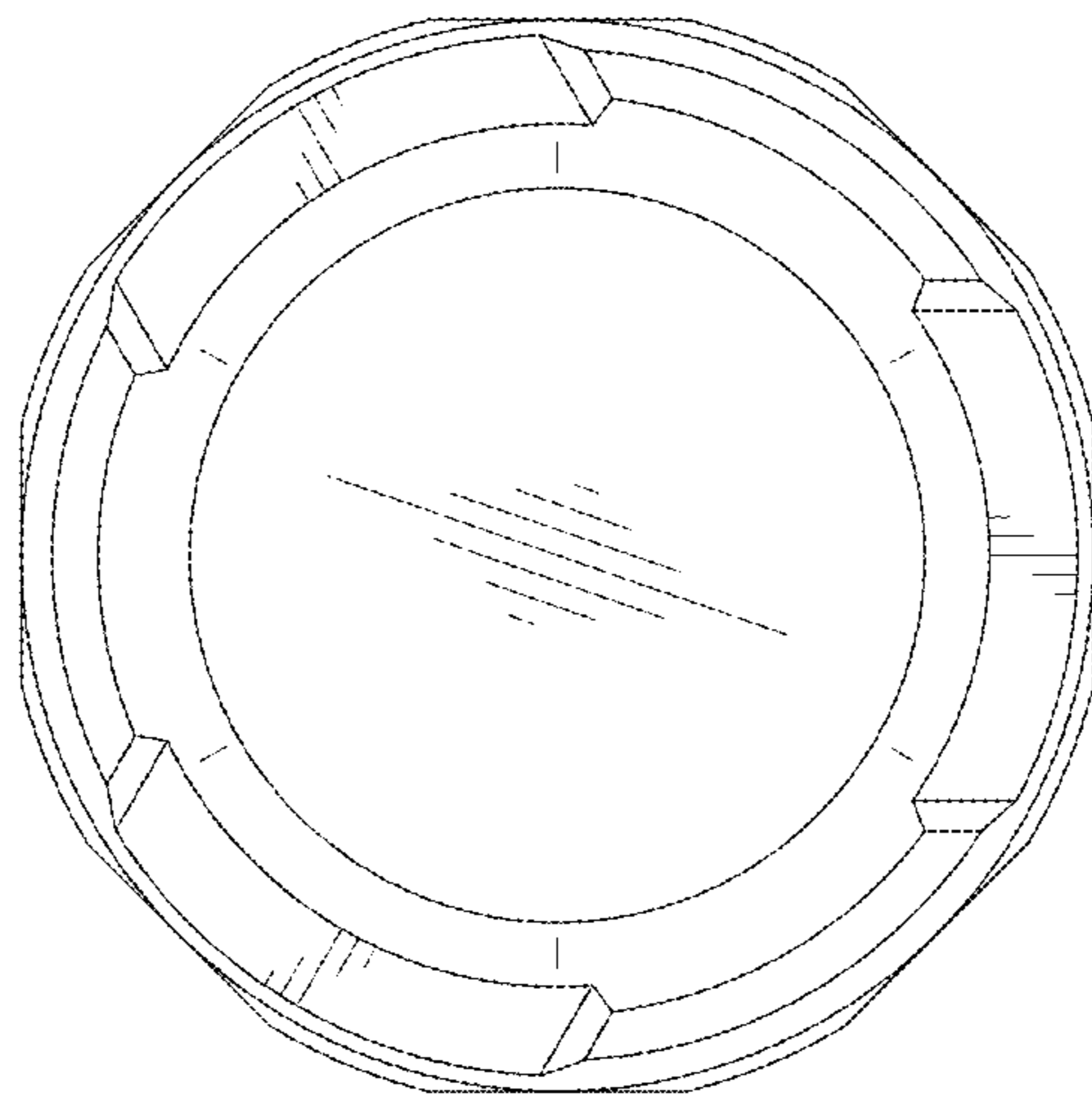


FIG.5

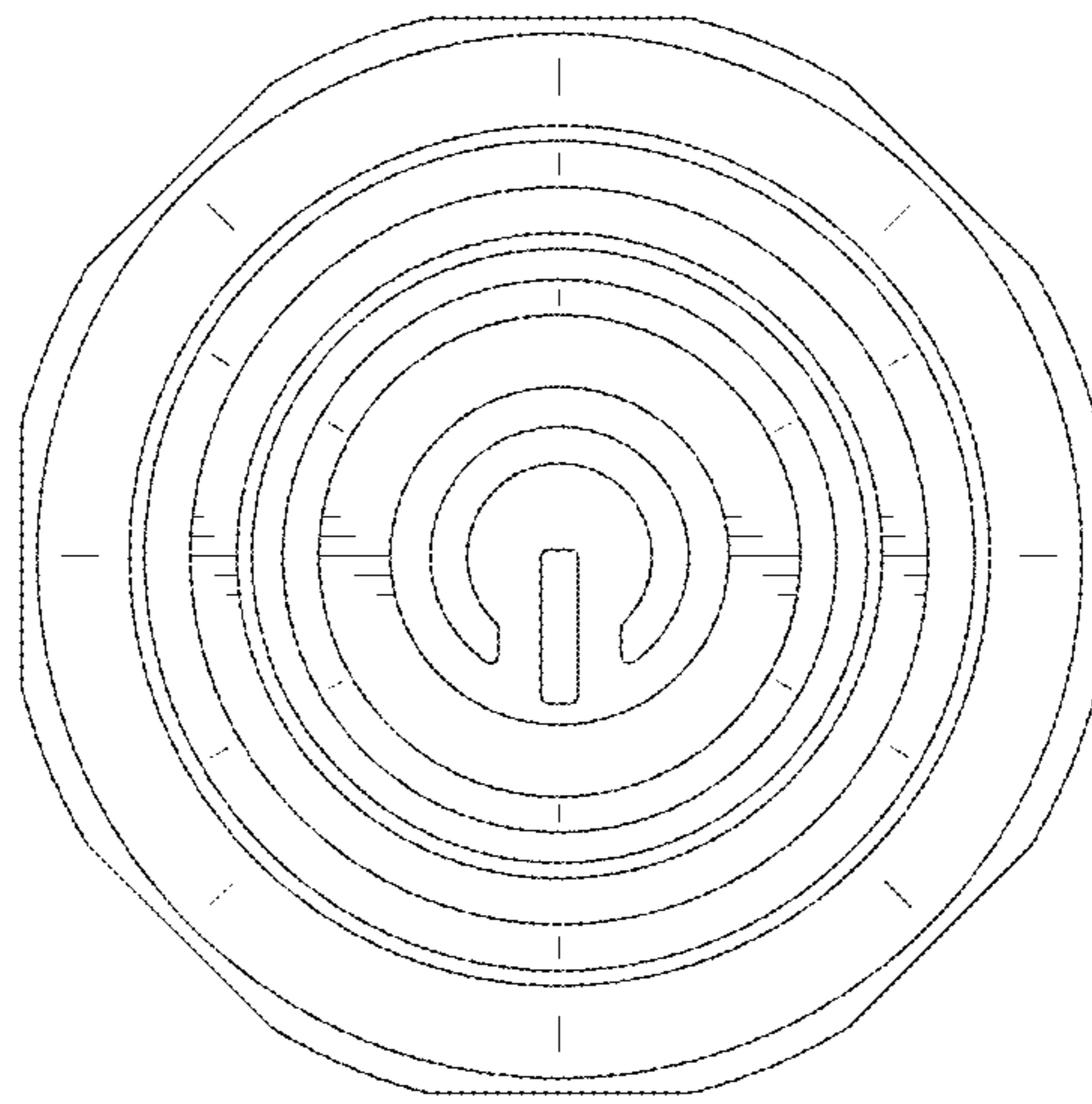


FIG.6

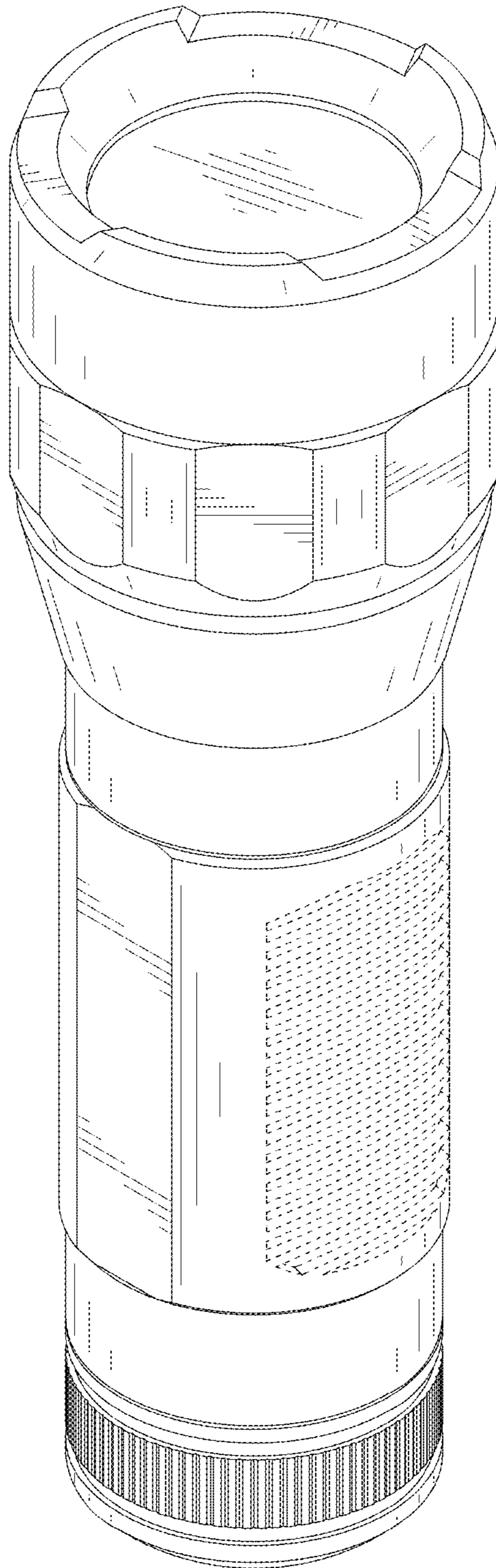


FIG.7

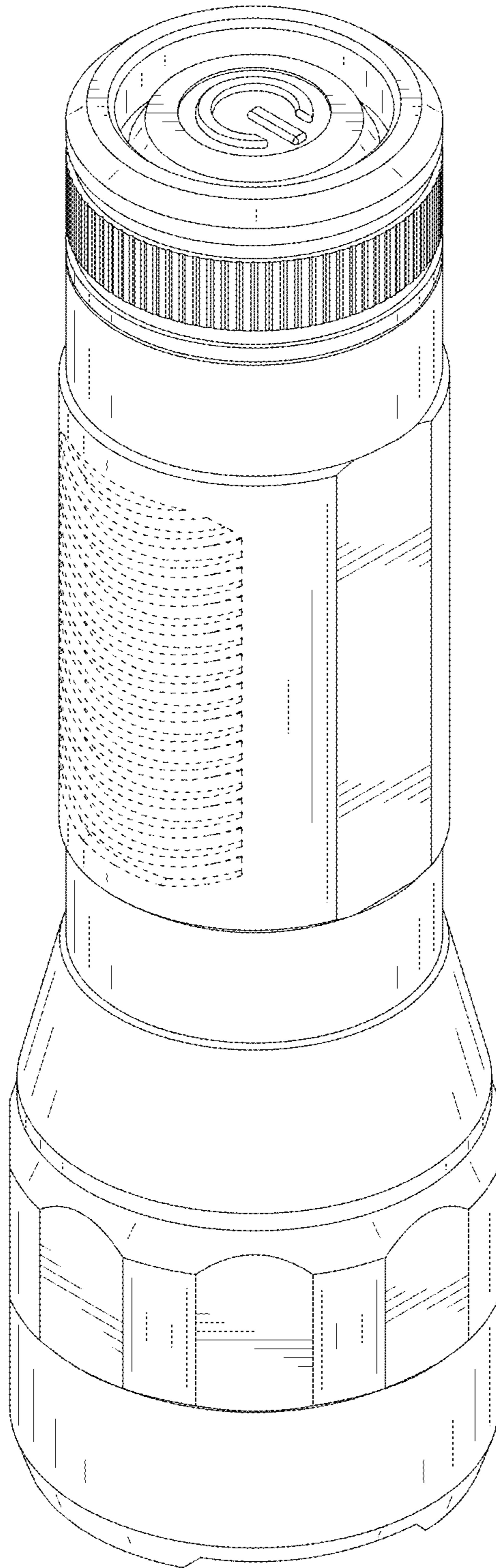


FIG.8

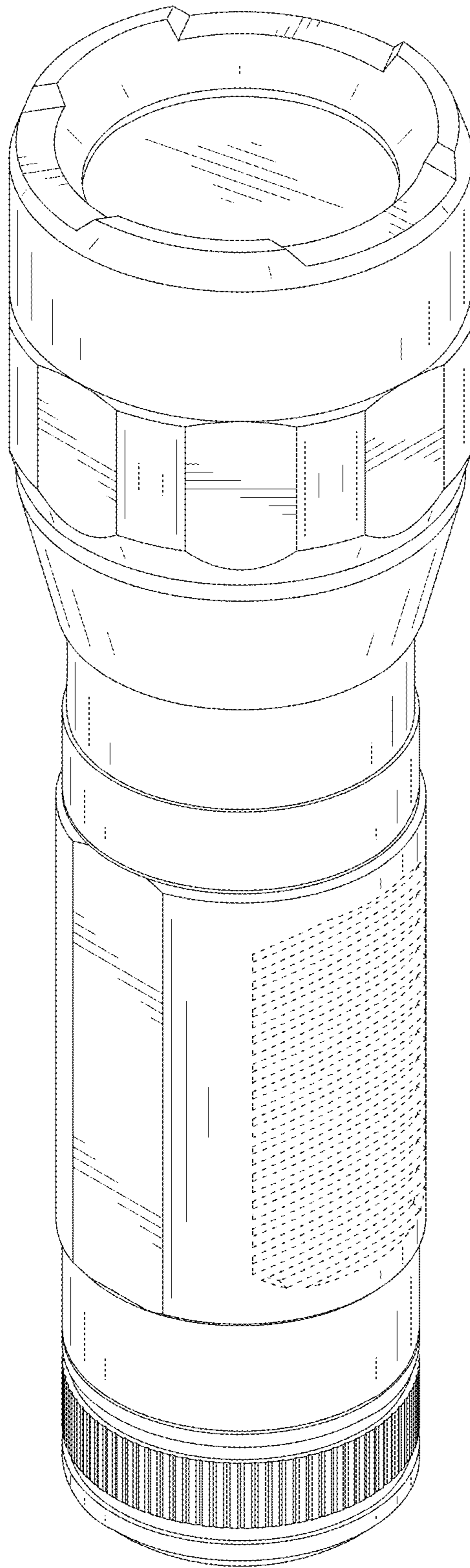


FIG.9

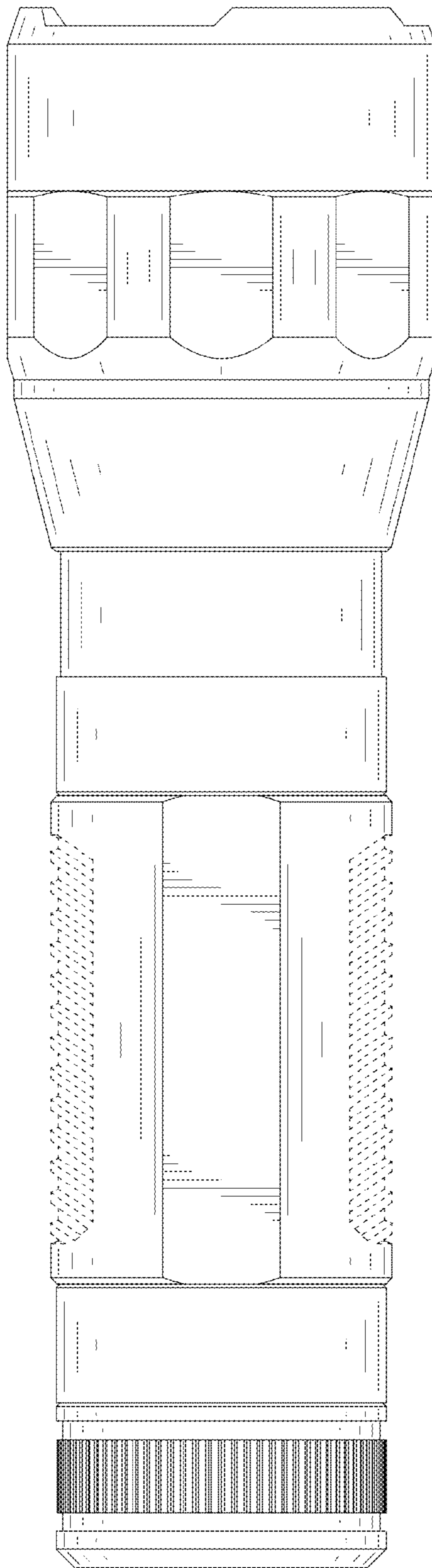


FIG.10