

US00D914937S

(12) **United States Design Patent**
Liu

(10) **Patent No.:** **US D914,937 S**

(45) **Date of Patent:** **** Mar. 30, 2021**

(54) **LANTERN**

(71) Applicant: **BLACK & DECKER INC.**, New Britain, CT (US)

(72) Inventor: **Chao Lein Liu**, Taichung (TW)

(73) Assignee: **BLACK & DECKER INC.**, New Britain, CT (US)

(**) Term: **15 Years**

(21) Appl. No.: **29/680,441**

(22) Filed: **Feb. 15, 2019**

(51) **LOC (13) Cl.** **26-02**

(52) **U.S. Cl.**
USPC **D26/41**

(58) **Field of Classification Search**
USPC D26/37, 40-41, 46, 49-50
CPC F21L 2003/00; F21L 4/00; F21L 4/005;
F21L 4/02; F21L 4/025; F21L 4/027;
F21L 4/04; F21L 4/08; F21L 2005/00;
F21L 13/00; F21L 13/04; F21L 14/02;
F21L 17/00; F21L 19/00
See application file for complete search history.

(56) **References Cited**

U.S. PATENT DOCUMENTS

D274,685	S	*	7/1984	Ohmoto	D7/313
D374,099	S	*	9/1996	Bamber	D26/41
D386,933	S	*	12/1997	Browne	D7/306
D393,323	S	*	4/1998	Howard	D26/41
D397,467	S	*	8/1998	Howard	D26/41
D399,016	S	*	9/1998	Howard	D26/42
5,860,729	A	*	1/1999	Bamber	F21L 4/02 362/184
D424,227	S	*	5/2000	Long	D26/50
6,394,630	B1	*	5/2002	Skidmore	H05B 47/19 362/394
D485,928	S	*	1/2004	Leung	D26/40
D556,928	S	*	12/2007	Poon	D26/40

D559,418	S	*	1/2008	Poon	D26/40
D575,429	S	*	8/2008	Shiu	D26/40
D576,756	S	*	9/2008	DeBrunner	D26/40
D599,923	S	*	9/2009	Shiu	D26/40
D608,920	S	*	1/2010	Loibl	D26/40
D610,283	S	*	2/2010	Loibl	D26/40
D611,630	S	*	3/2010	Chan	D26/40
D619,418	S	*	7/2010	Nezu	D7/510
D658,324	S	*	4/2012	Reimann	D26/40

(Continued)

OTHER PUBLICATIONS

amazon.com: LE LED Camping Lantern. Date posted Sep. 12, 2018 [site visited Nov. 28, 2020]. Retrieved from internet: <https://www.amazon.com/Portable-Camping-Dimmable-Lighting-Emergency/dp/B0078ZTWP4/ref=sr_1_3_sspa?dchild=1&keywords=camping+lantern&qid=1606681661&sr=. . .> (Year: 2018).*

(Continued)

Primary Examiner — Sheryl Lane
Assistant Examiner — Stacey L Hopkins
(74) *Attorney, Agent, or Firm* — Adan Ayala

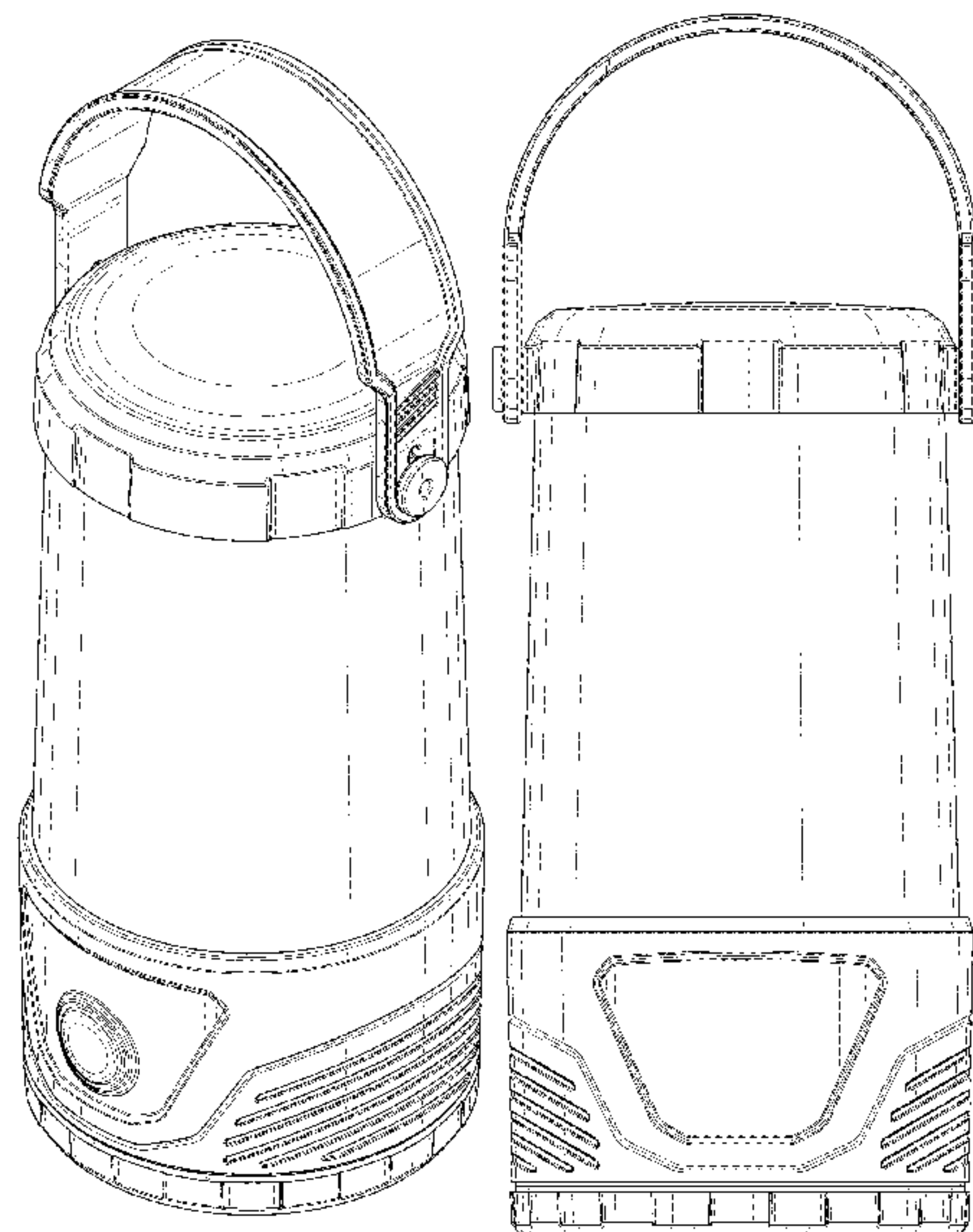
(57) **CLAIM**

The ornamental design for a lantern, as shown and described.

DESCRIPTION

FIG. 1 is a rear perspective view of a lantern showing my new design;
FIG. 2 is a front perspective view thereof;
FIG. 3 is a rear elevational view thereof.
FIG. 4 is a front elevational view thereof;
FIG. 5 is a left-side elevational view thereof.
FIG. 6 is a right-side elevational view thereof;
FIG. 7 is a top plan view thereof; and,
FIG. 8 is a bottom plan view thereof.
The broken lines illustrate portions of the lantern and form no part of the claimed design.

1 Claim, 8 Drawing Sheets



(56)

References Cited

U.S. PATENT DOCUMENTS

8,662,699	B2 *	3/2014	Tarter	F21L 4/027	
					362/183
D702,505	S *	4/2014	Nakatani	D7/605	
D747,523	S *	1/2016	Salmon	D26/40	
D794,235	S *	8/2017	Green	D26/40	
D809,689	S *	2/2018	Marshall	D26/41	
D809,690	S *	2/2018	Marshall	D26/41	
D818,620	S *	5/2018	Brown	D26/41	
D823,506	S *	7/2018	Shiu	D26/40	
D850,683	S *	6/2019	Shelton	D26/41	
D863,634	S *	10/2019	Xu	D26/41	
D898,255	S *	10/2020	Lien	D26/41	
D900,366	S *	10/2020	Bertken	D26/40	
2011/0182061	A1 *	7/2011	Loibl	F21L 4/00	
					362/186

OTHER PUBLICATIONS

amazon.com: Energizer LED Camping Lantern. Date posted Dec. 2, 2009 [site visited Nov. 28, 2020]. Retrieved from internet: <https://www.amazon.com/Energizer-Flashlight-Hurricane-Emergency-Resistant/dp/B01N5MBY3J/ref=asc_df_B01N5MBY3J/?tag=hyprod-20&linkCode=. . .> (Year: 2009).*

* cited by examiner

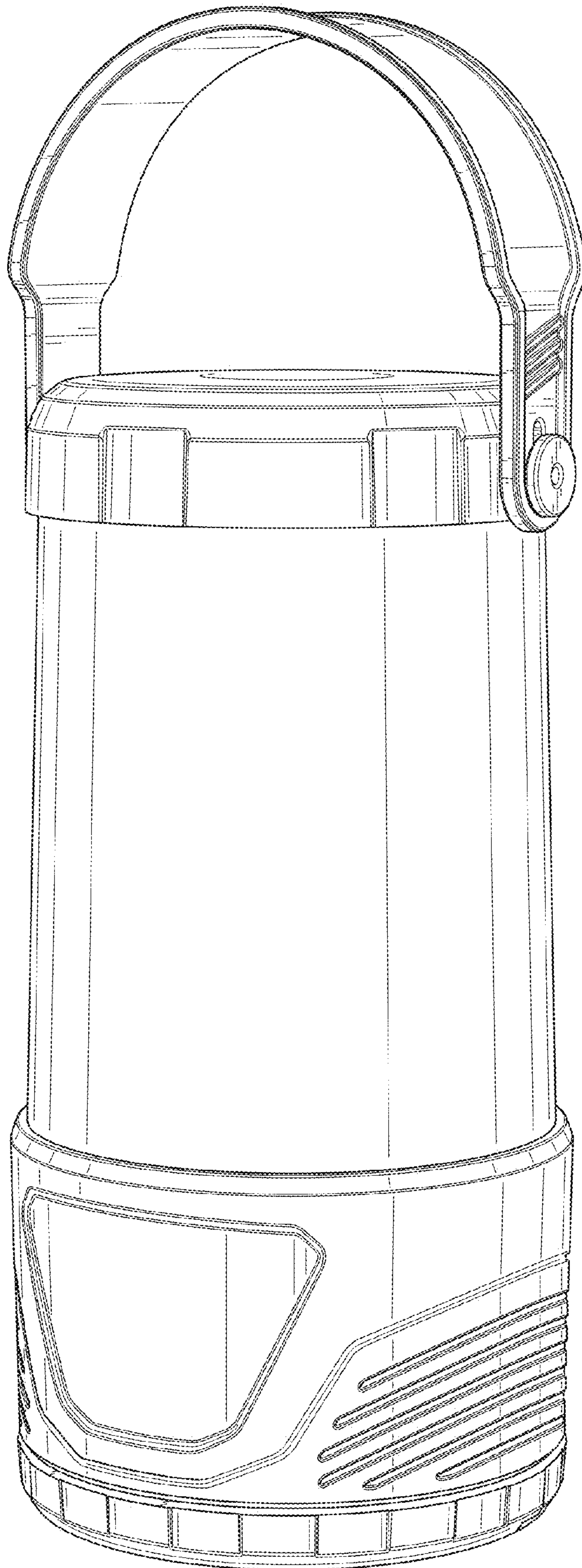


FIG. 1

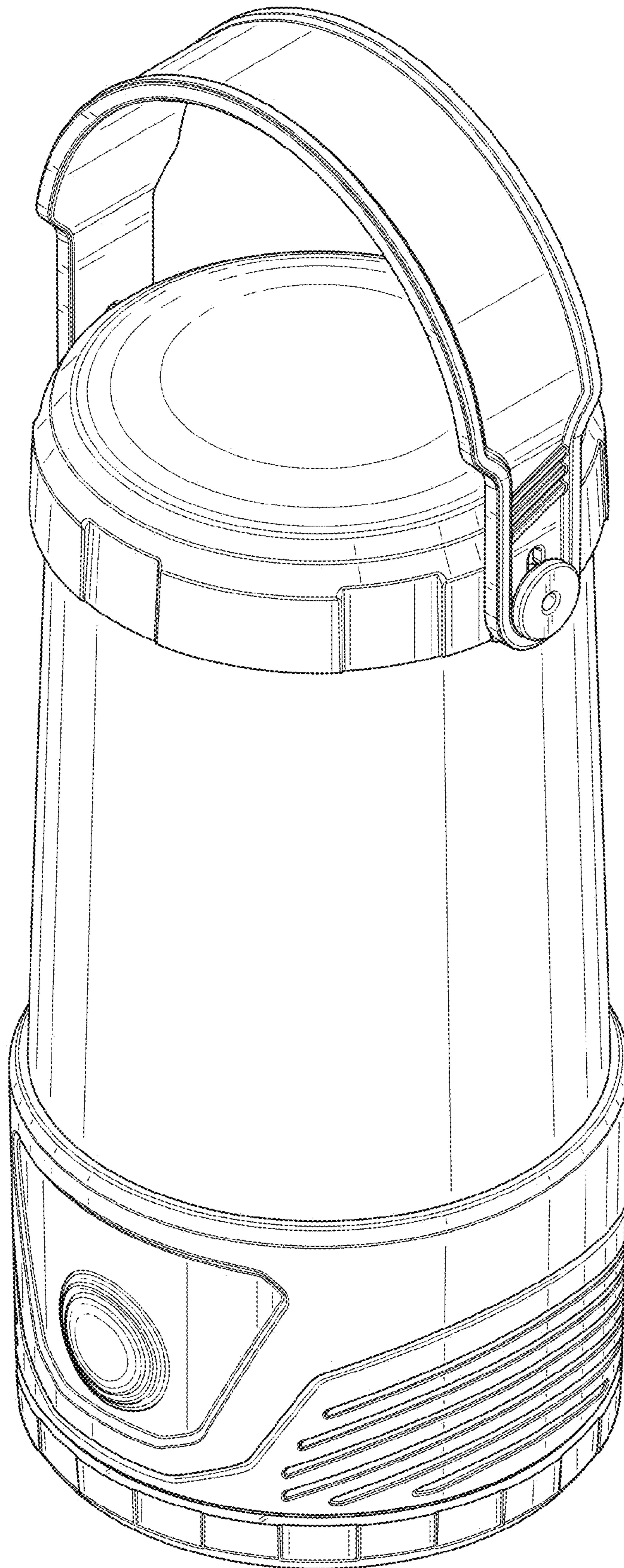


FIG. 2

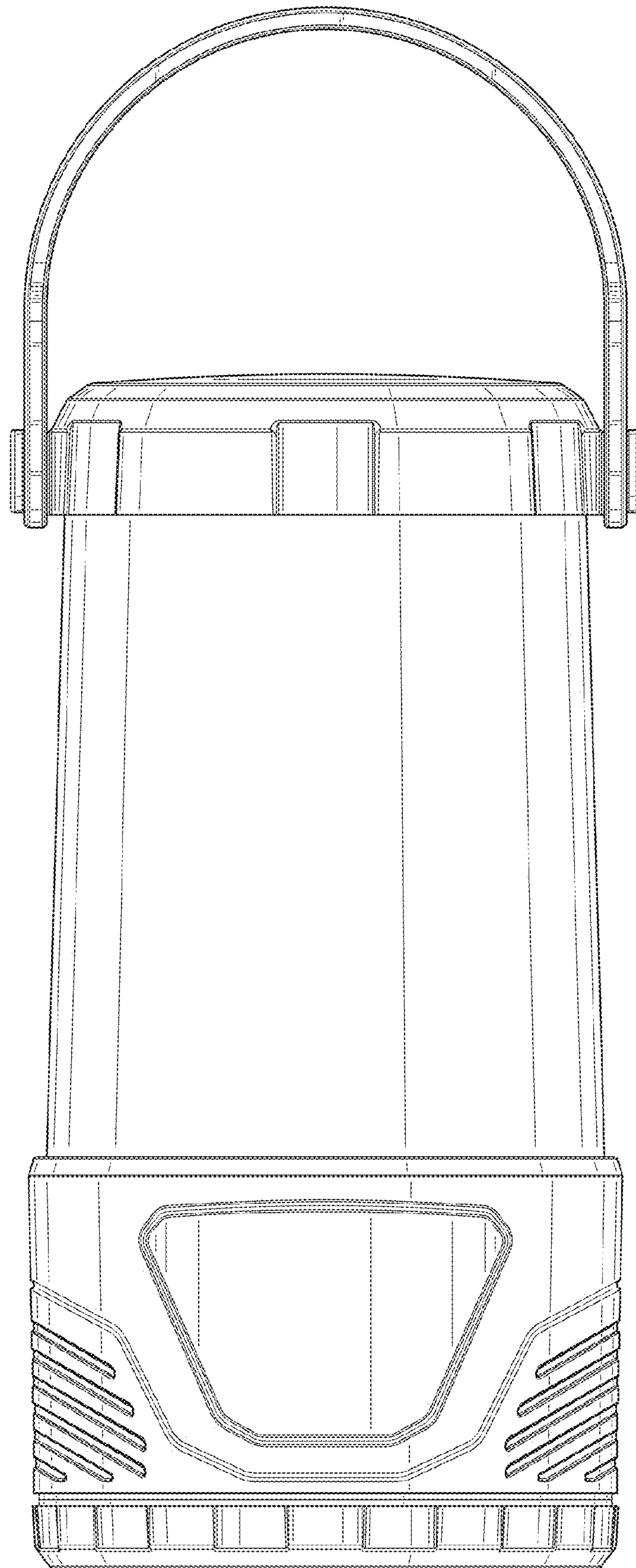


FIG. 3

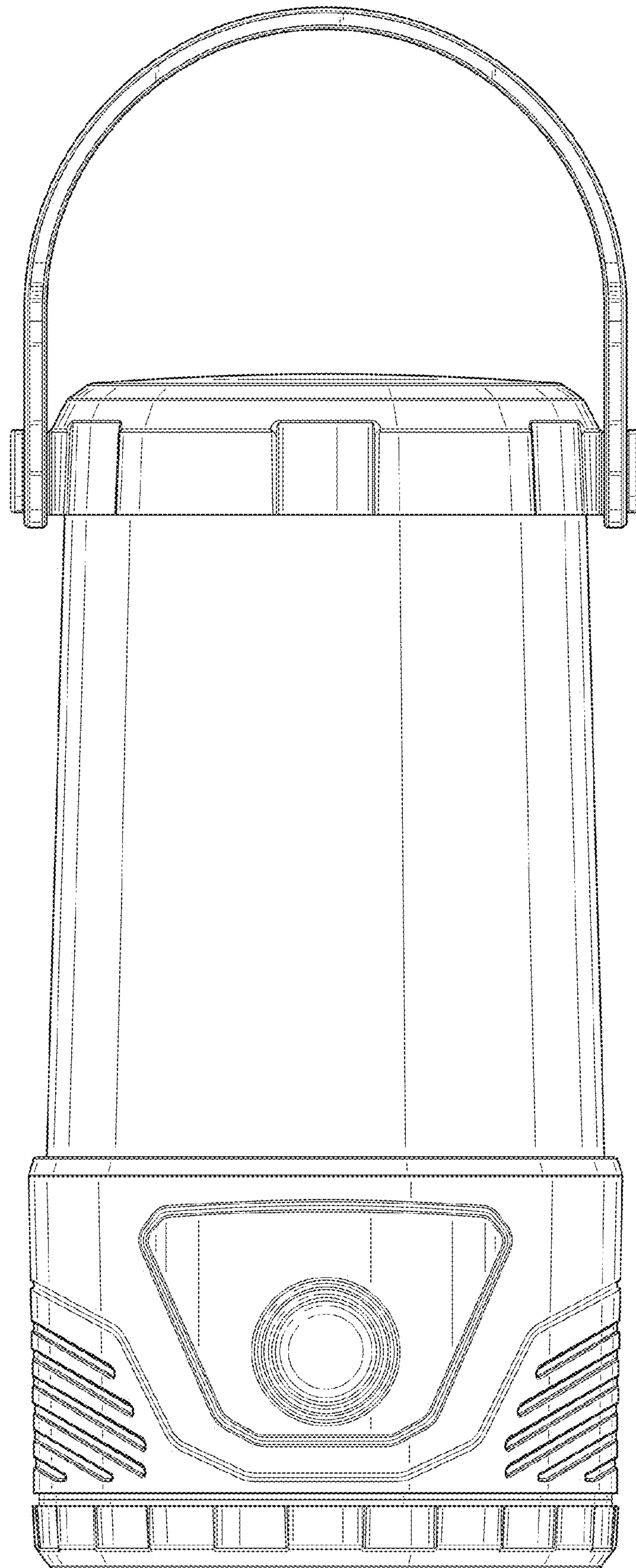


FIG. 4

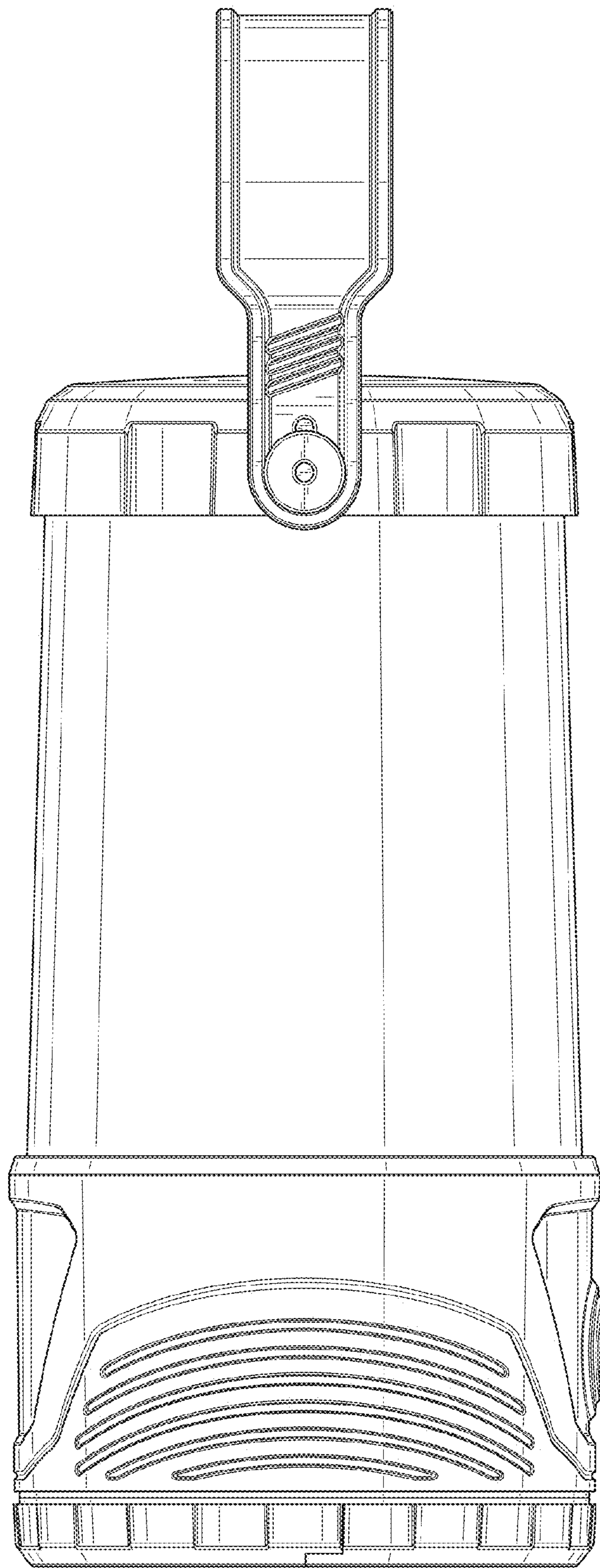


FIG. 5

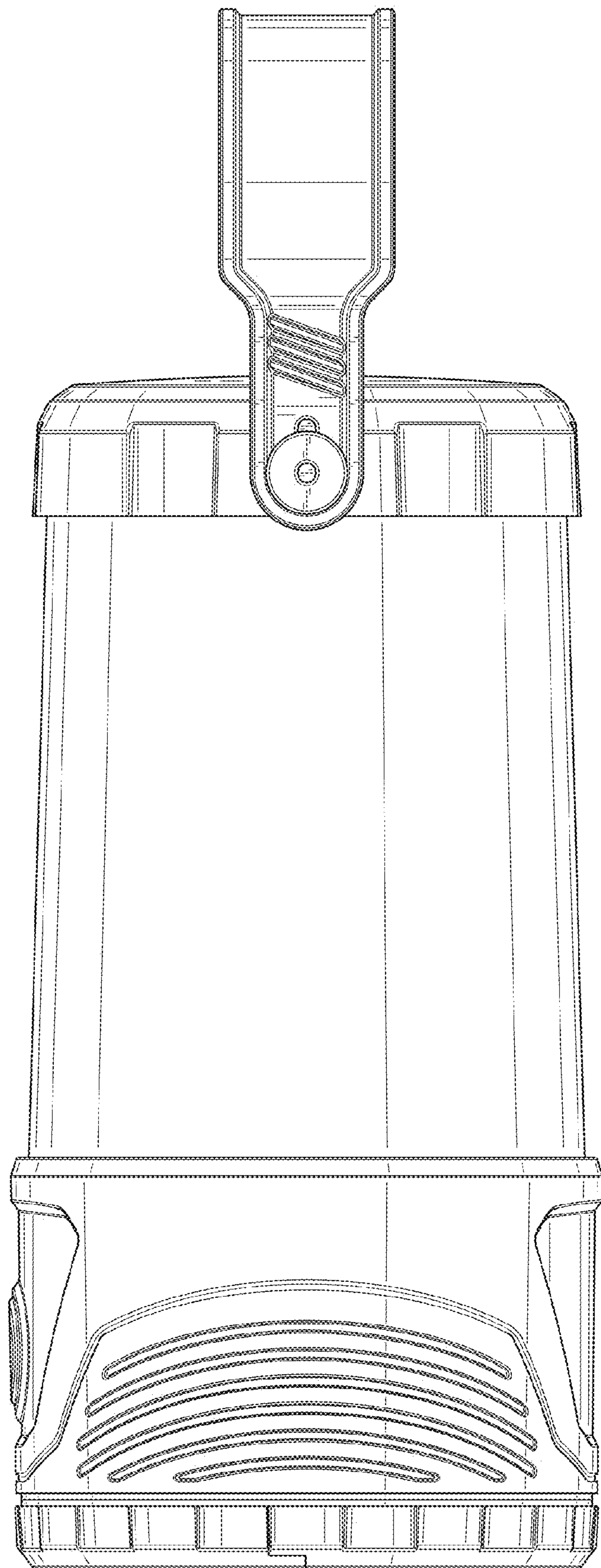


FIG. 6

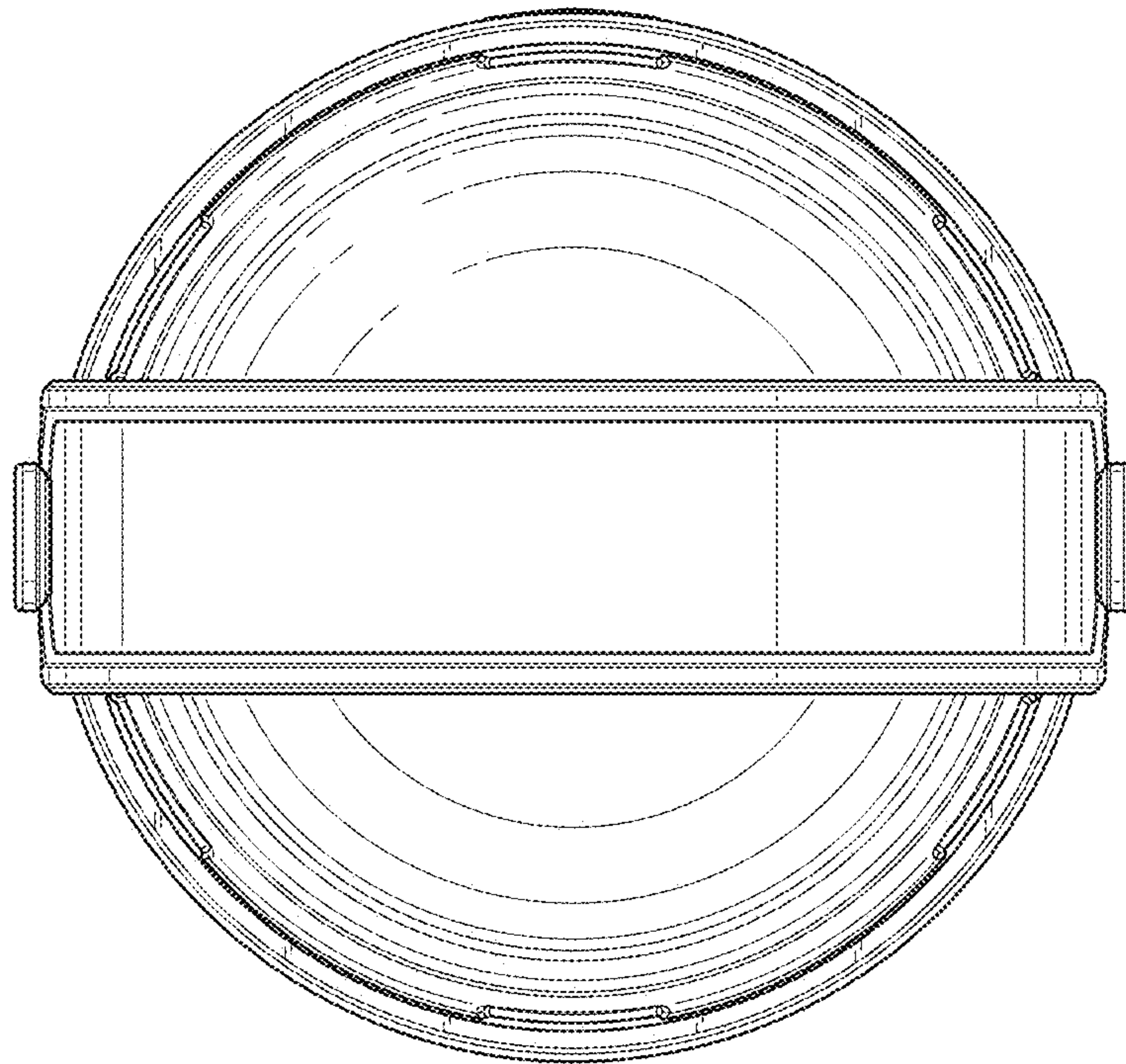


FIG. 7

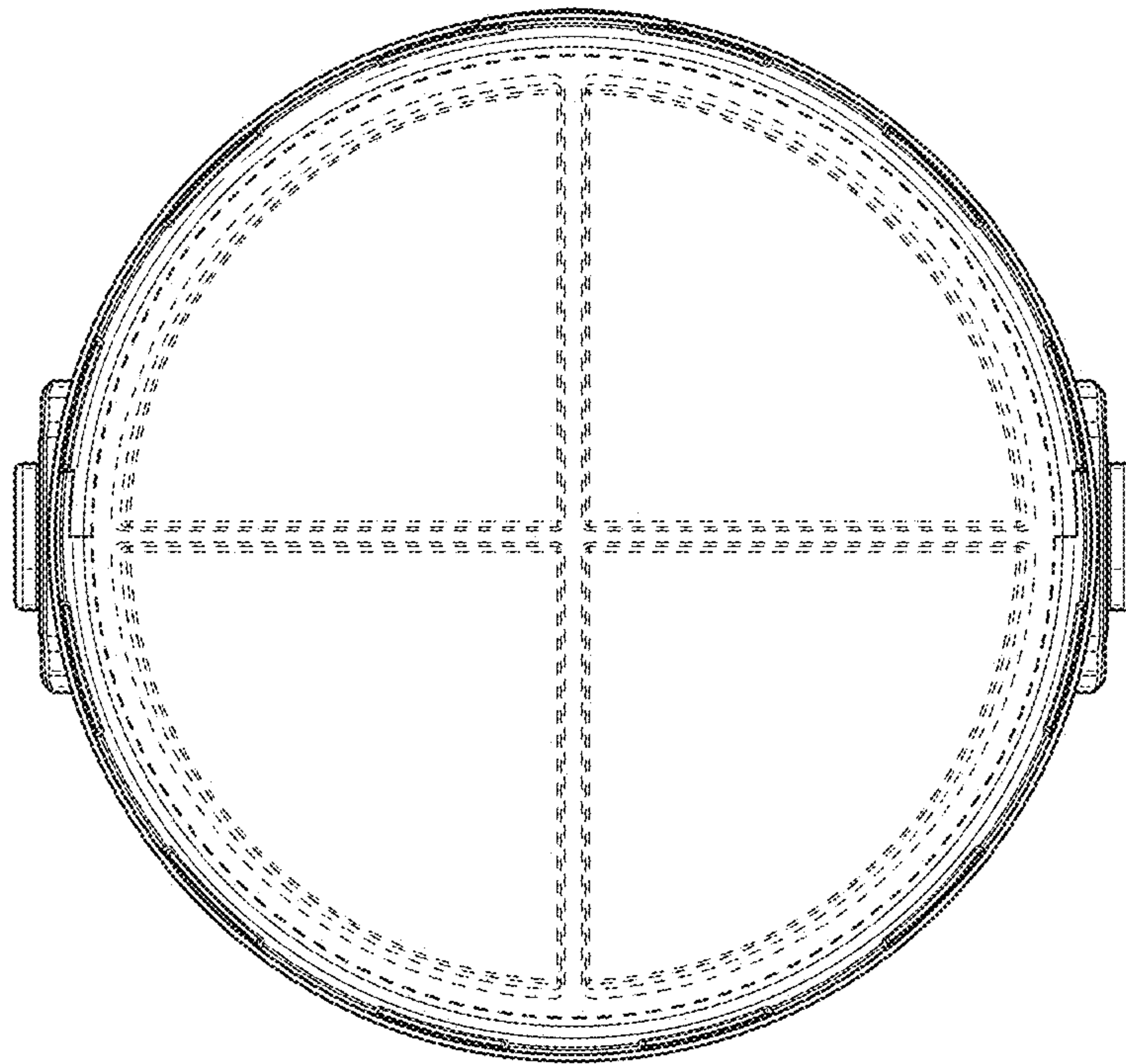


FIG. 8