



US00D914936S

(12) **United States Design Patent**
Bertken

(10) **Patent No.:** **US D914,936 S**

(45) **Date of Patent:** **** Mar. 30, 2021**

(54) **LANTERN**

(71) Applicant: **IDEAPOND LLC**, San Diego, CA
(US)

(72) Inventor: **Dennis Bertken**, San Diego, CA (US)

(73) Assignee: **IDEAPOND LLC**, Las Vegas, NV
(US)

(**) Term: **15 Years**

(21) Appl. No.: **29/674,669**

(22) Filed: **Dec. 22, 2018**

(51) **LOC (13) Cl.** **26-02**

(52) **U.S. Cl.**
USPC **D26/41**

(58) **Field of Classification Search**
USPC D26/37, 40-41, 46, 49-50
CPC F21L 2003/00; F21L 4/00; F21L 4/005;
F21L 4/02; F21L 4/025; F21L 4/027;
F21L 4/04; F21L 4/08; F21L 2005/00;
F21L 13/00; F21L 13/04; F21L 14/02;
F21L 17/00; F21L 19/00

See application file for complete search history.

(56) **References Cited**

U.S. PATENT DOCUMENTS

D389,930	S	*	1/1998	Lo	D26/37
D393,323	S	*	4/1998	Howard	D26/41
D422,105	S	*	3/2000	Poon	D26/50
D432,691	S	*	10/2000	Meoli, Jr.	D26/42
D433,762	S	*	11/2000	Yuen	D26/40
D443,088	S	*	5/2001	Skidmore	D26/40
6,394,630	B1	*	5/2002	Skidmore	H05B 47/19
						362/394
D464,451	S	*	10/2002	Poon	D26/37
D468,039	S	*	12/2002	Poon	D26/40
D474,553	S	*	5/2003	Poon	D26/40
D485,928	S	*	1/2004	Leung	D26/40
D487,809	S	*	3/2004	Leung	D26/40
D509,921	S	*	9/2005	Lam	D26/40

D535,419	S	*	1/2007	Shiu	D26/40
D535,771	S	*	1/2007	Shiu	D26/40
D537,968	S	*	3/2007	Shiu	D26/40
D539,953	S	*	4/2007	Leung	D26/40

(Continued)

OTHER PUBLICATIONS

llbean.com: L.L. Bean Trailblazer 300 Rechargeable Lantern. Undated online product page. Retrieved on Sep. 28, 2020 from <https://www.llbean.com/llb/shop/506867?originalProduct=123007&productId=1741212&attrValue_0=Black%2FGray&pla1=0&mr%3AtrackingCode=. . . > (Year: 2020).*

(Continued)

Primary Examiner — Sheryl Lane

Assistant Examiner — Stacey L Hopkins

(74) *Attorney, Agent, or Firm* — US IP Attorneys, P.C.; Timothy Marc Shropshire

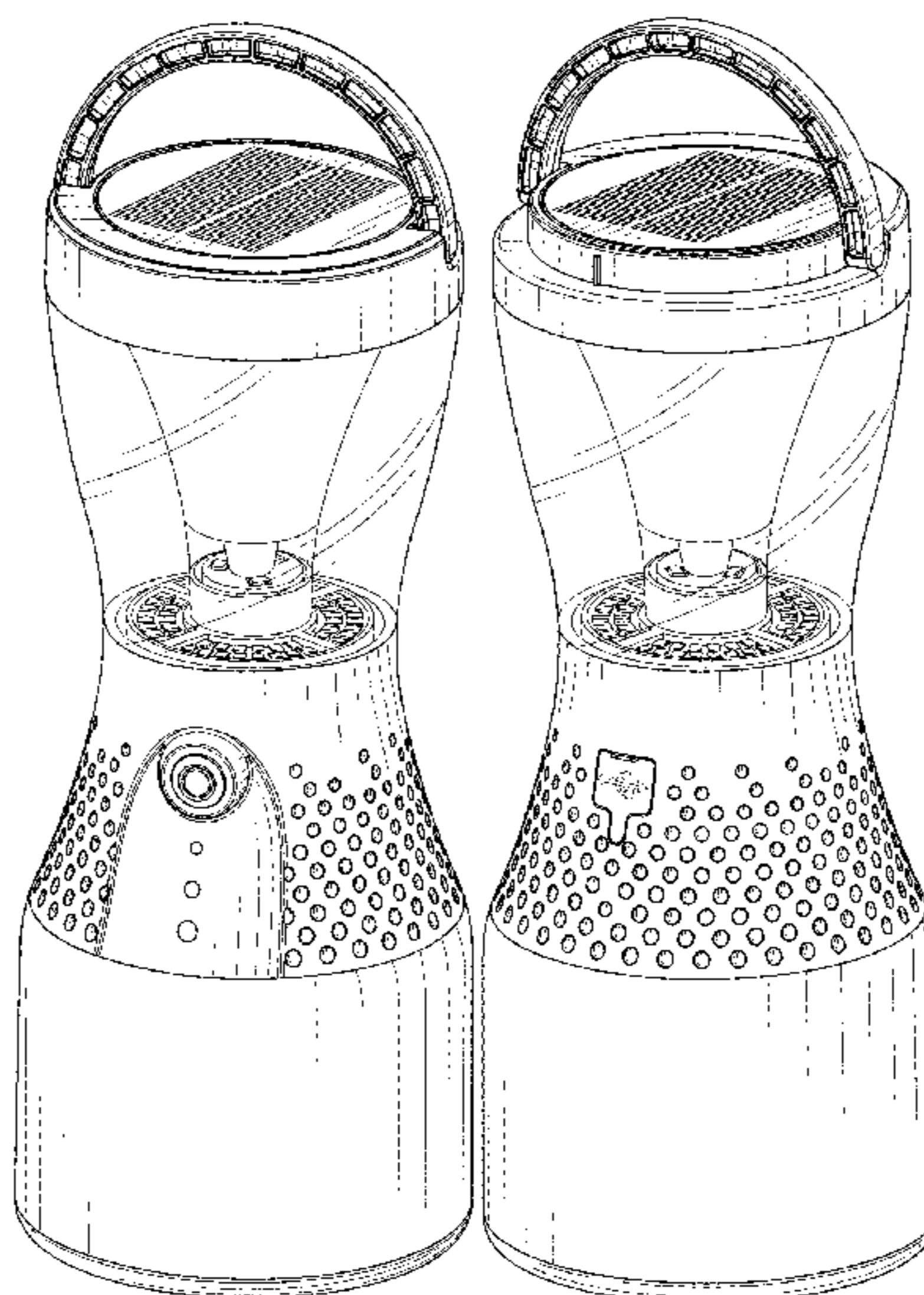
(57) **CLAIM**

The ornamental design for a lantern, as shown and described.

DESCRIPTION

FIG. 1 is a front perspective view of a lantern showing my new design;
FIG. 2 is a rear perspective view thereof;
FIG. 3 is a rear elevational view thereof;
FIG. 4 is a front elevational view thereof;
FIG. 5 is a right-side elevational view thereof;
FIG. 6 is a left-side elevational view thereof;
FIG. 7 is a top plan view thereof;
FIG. 8 is a bottom plan view thereof;
FIG. 9 is a front perspective view thereof;
FIG. 10 is a rear perspective view thereof; and,
FIG. 11 is a rear perspective view thereof, showing the port cover in an open position.
The broken lines in the drawings depict parts of the lantern that form no part of the claimed design.

1 Claim, 10 Drawing Sheets



(56)

References Cited

U.S. PATENT DOCUMENTS

D546,488	S *	7/2007	Poon	D26/40
D546,991	S *	7/2007	Poon	D26/40
D556,928	S *	12/2007	Poon	D26/40
D559,418	S *	1/2008	Poon	D26/40
D575,429	S *	8/2008	Shiu	D26/40
D576,756	S *	9/2008	DeBrunner	D26/40
D604,436	S *	11/2009	Poon	D26/40
D670,014	S *	10/2012	Bertken	D26/40
D674,945	S *	1/2013	Bertken	D26/40
8,662,699	B2 *	3/2014	Tarter	F21L 4/027 362/183
D794,235	S *	8/2017	Green	D26/40
D809,689	S *	2/2018	Marshall	D26/41
D809,690	S *	2/2018	Marshall	D26/41
D850,683	S *	6/2019	Shelton	D26/41
D861,941	S *	10/2019	Hammer	D26/40
D898,255	S *	10/2020	Lien	D26/41
D900,366	S *	10/2020	Bertken	D26/40
2010/0053942	A1 *	3/2010	Tarter	F21L 4/00 362/182
2015/0192260	A1 *	7/2015	Muehlemann	F21L 4/08 362/101

OTHER PUBLICATIONS

wish.com: LED Solar Powered Rechargeable Camping Lantern. Undated online product page. Retrieved on Sep. 28, 2020 from <[https://www.wish.com/product/5d72093ecc318960176d4344?hide_login_modal=true&from_ad=goog_shopping&_display_country_code=US&_force_currency_code=USD&pid=googleadword . . .](https://www.wish.com/product/5d72093ecc318960176d4344?hide_login_modal=true&from_ad=goog_shopping&_display_country_code=US&_force_currency_code=USD&pid=googleadword...)> (Year: 2020).*

amazon.com: LE LED Camping Lantern Rechargeable. Date uploaded: Sep. 21, 2015 [site visited Sep. 28, 2020]. Retrieved from internet, <[https://www.amazon.com/Rechargeable-Waterproof-Flashlight-Hurricane-Emergency/dp/B015ZFKLNK/ref=sr_1_1_sspa?dchild=1&keywords=solar+camping+lantern . . .](https://www.amazon.com/Rechargeable-Waterproof-Flashlight-Hurricane-Emergency/dp/B015ZFKLNK/ref=sr_1_1_sspa?dchild=1&keywords=solar+camping+lantern...)> (Year: 2015).*

rei.com: Nite Ize Radiant 314 Rechargeable Lantern. Undated online product page. Retrieved on Sep. 28, 2020 from <<https://www.rei.com/product/165509/nite-ize-radiant-314-rechargeable-lantern>> (Year: 2020).*

* cited by examiner

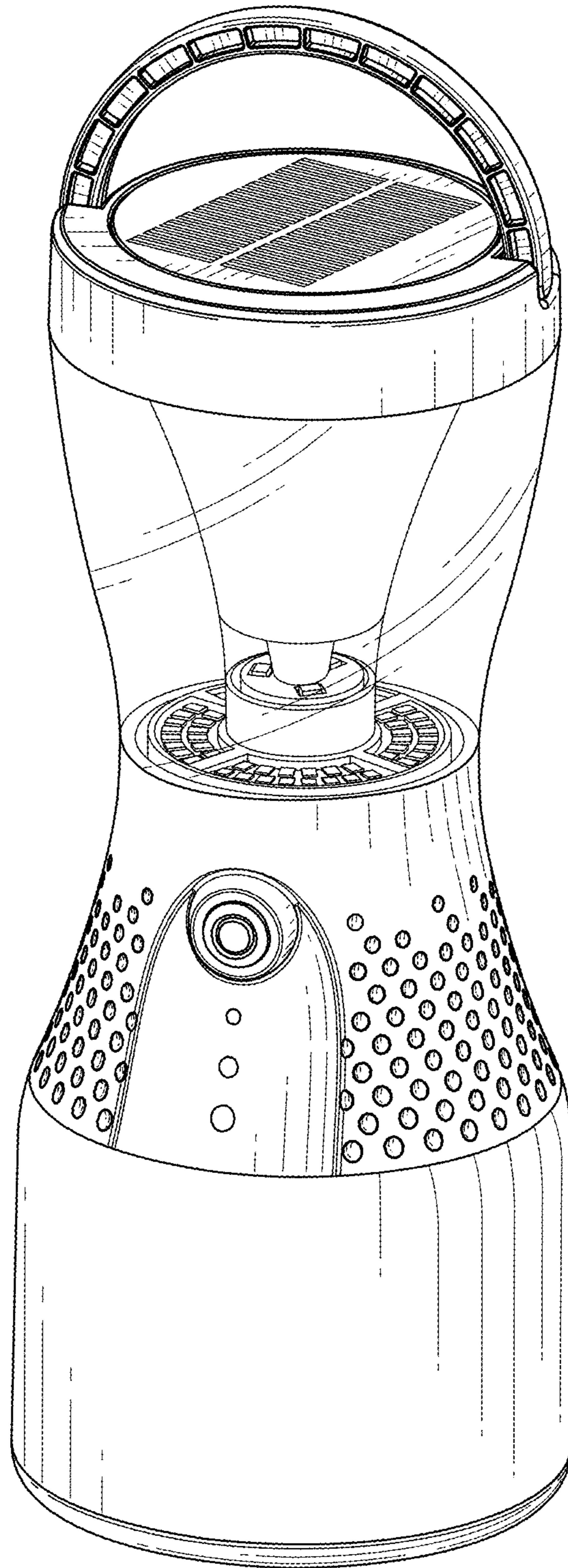


FIG. 1

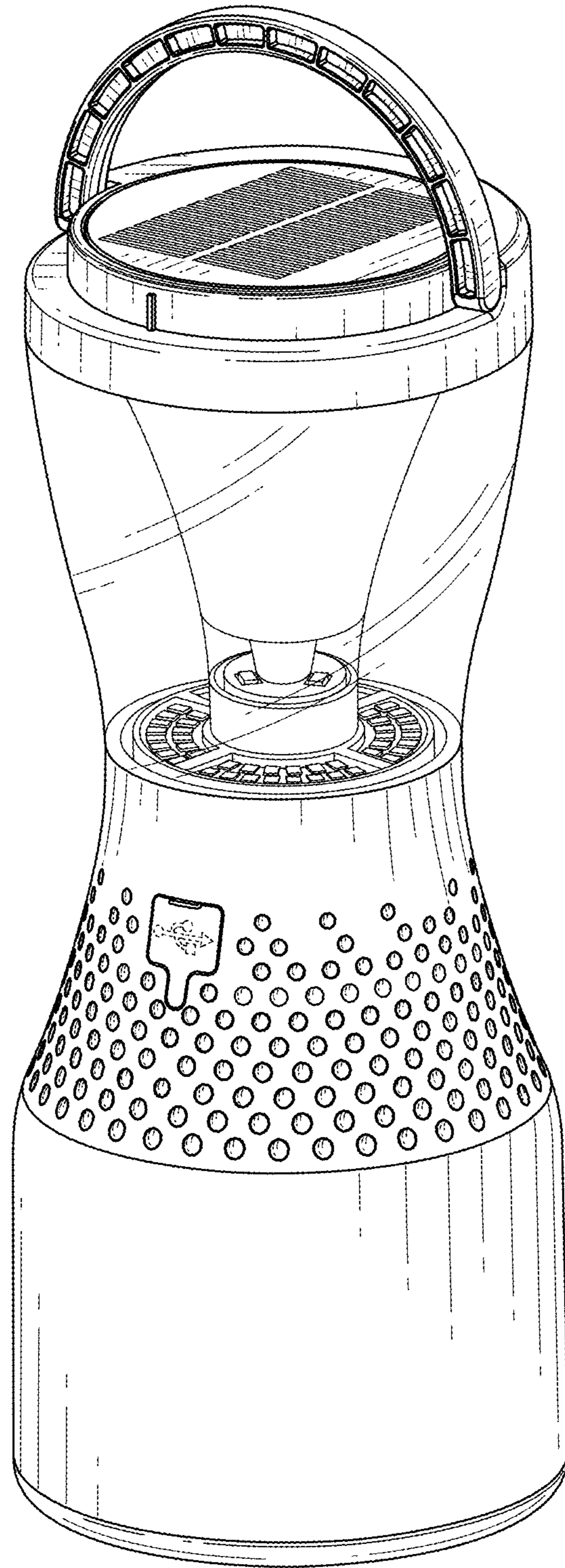


FIG. 2

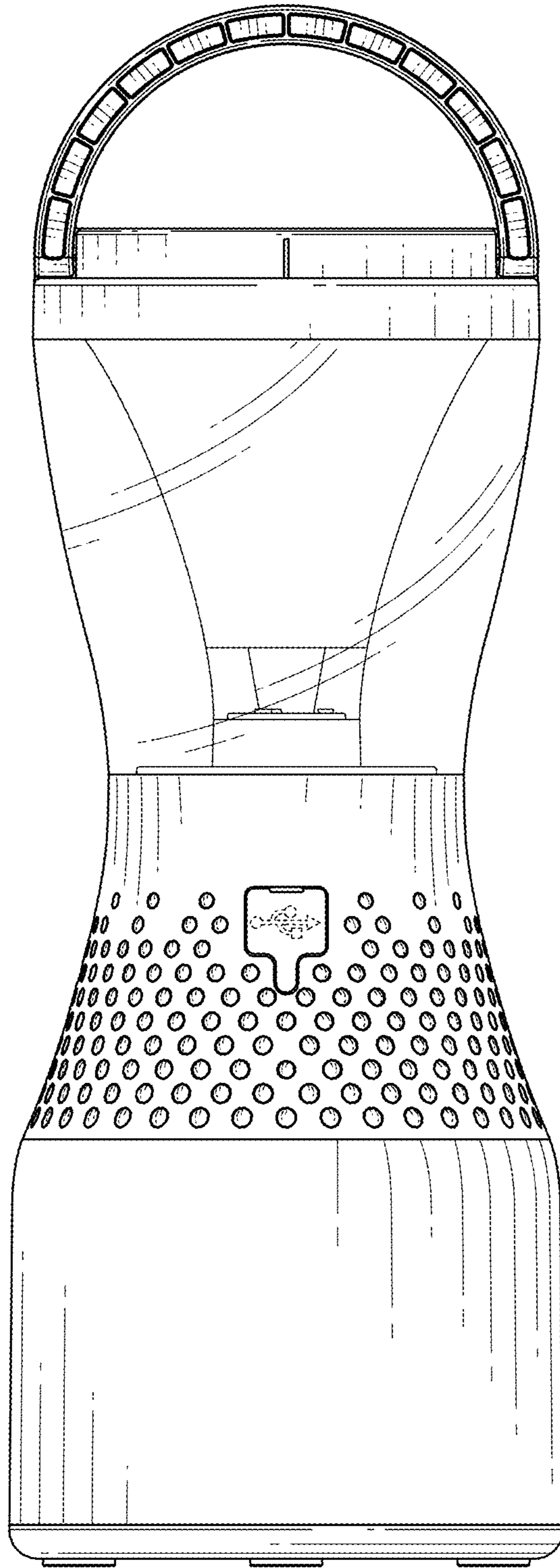


FIG. 3

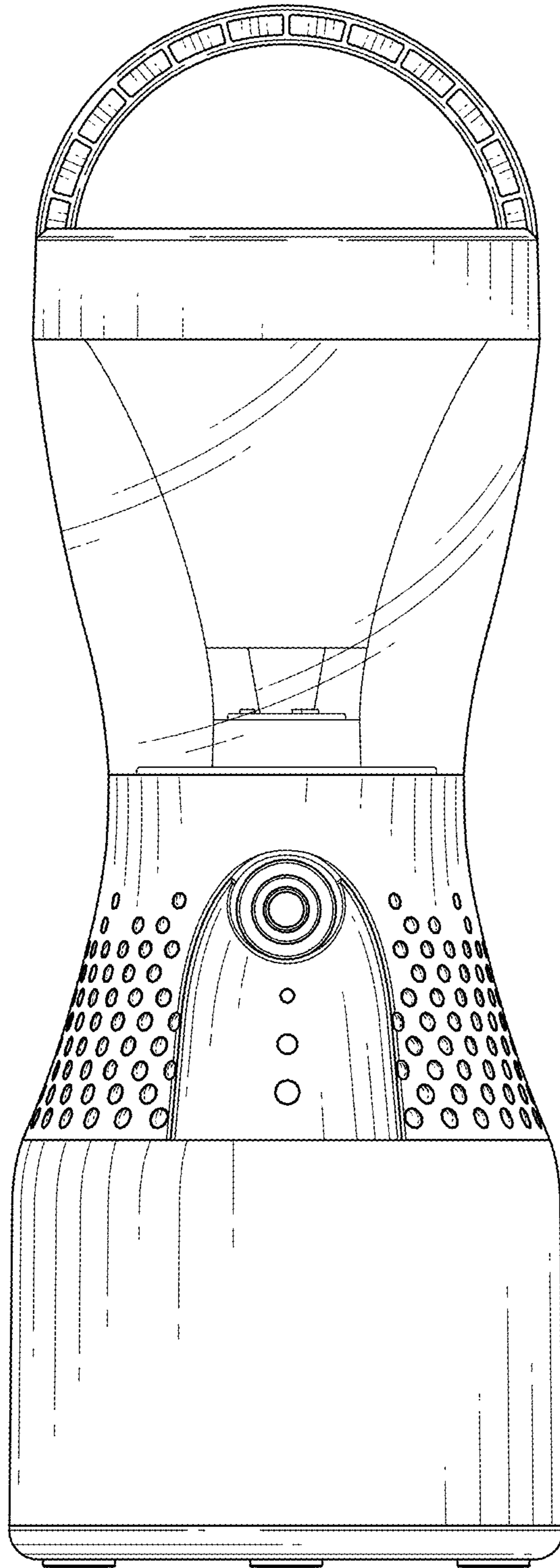


FIG. 4

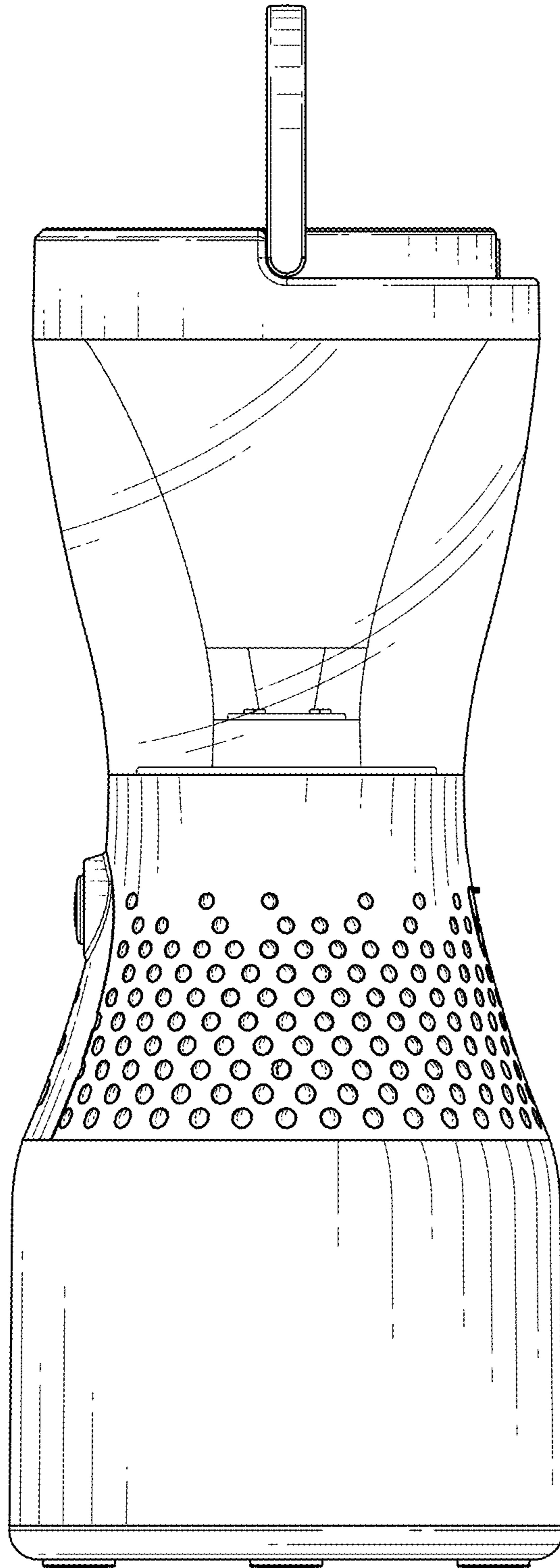


FIG. 5

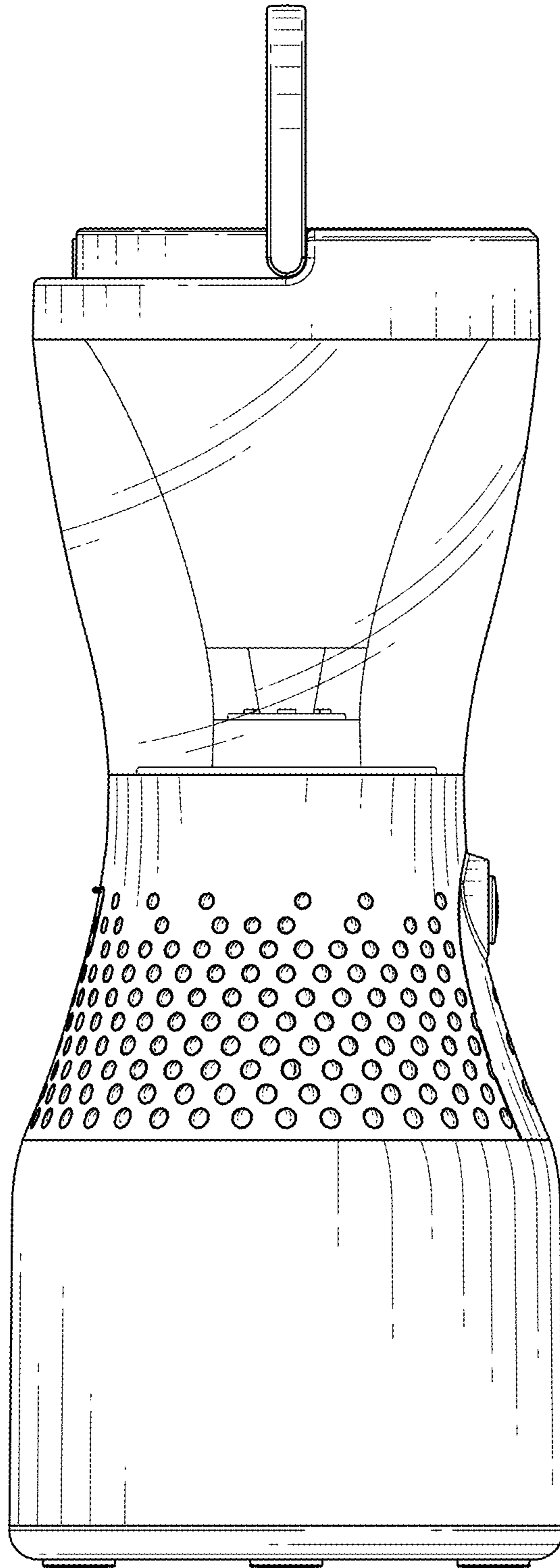


FIG. 6

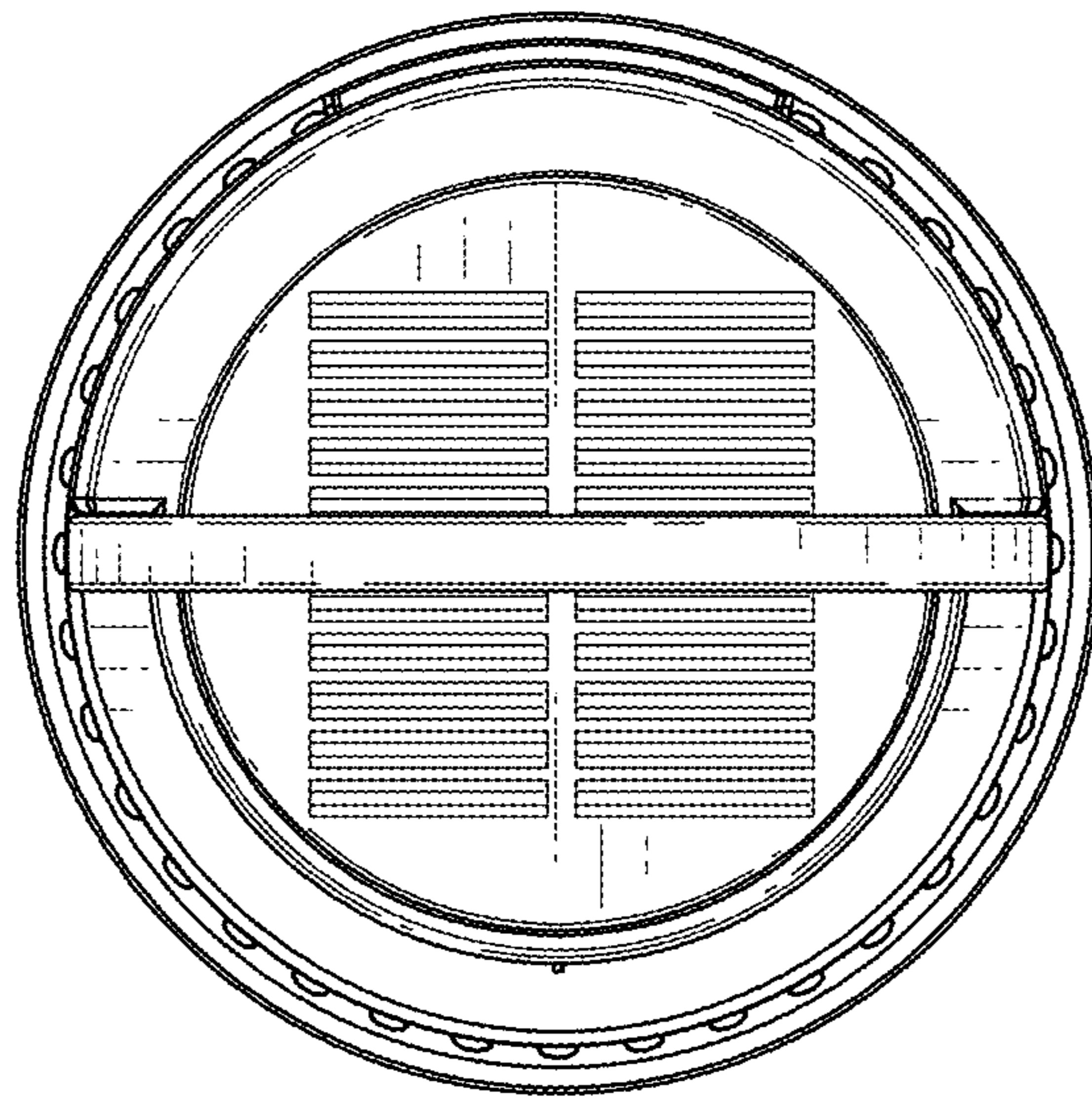


FIG. 7

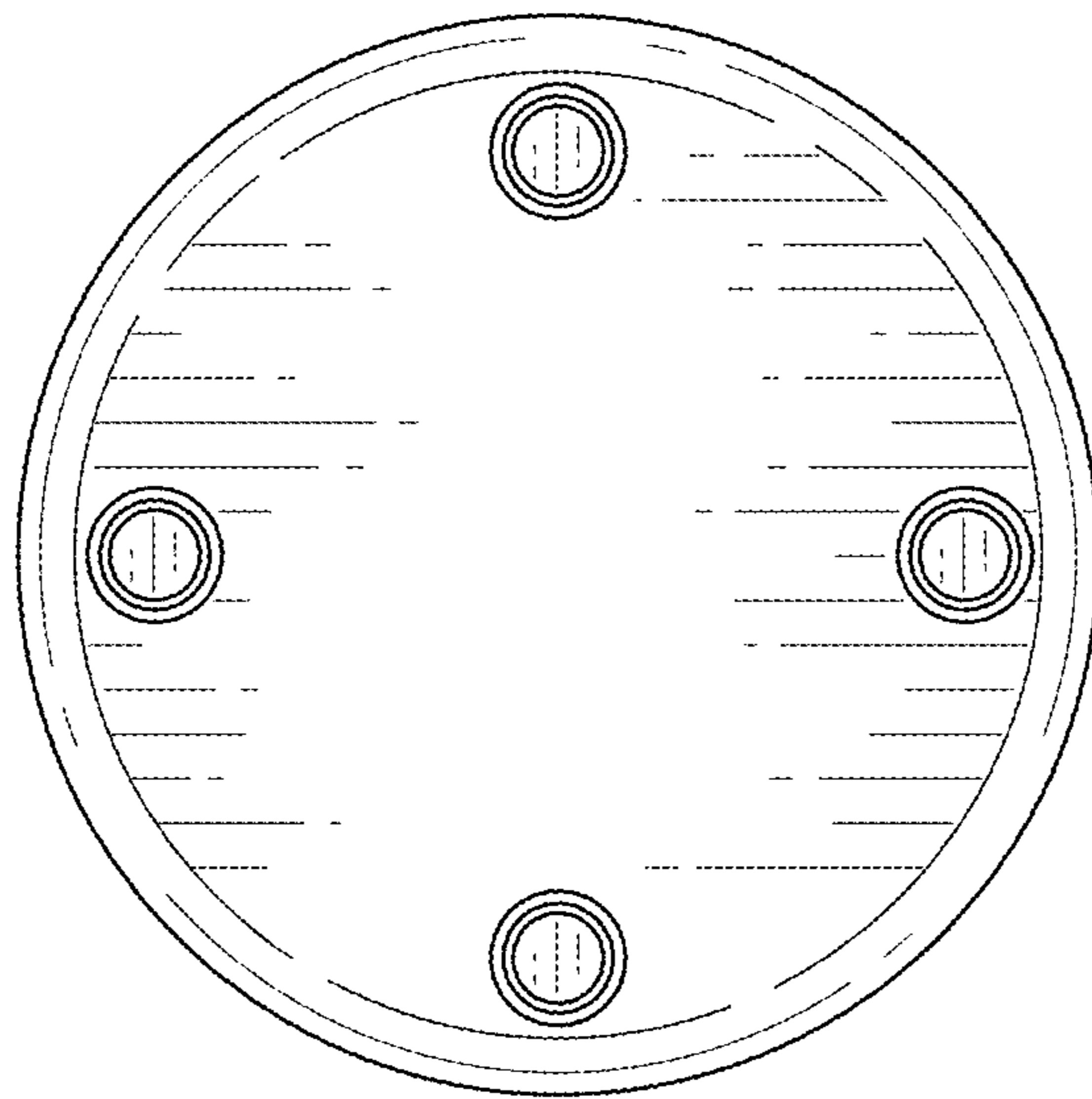


FIG. 8

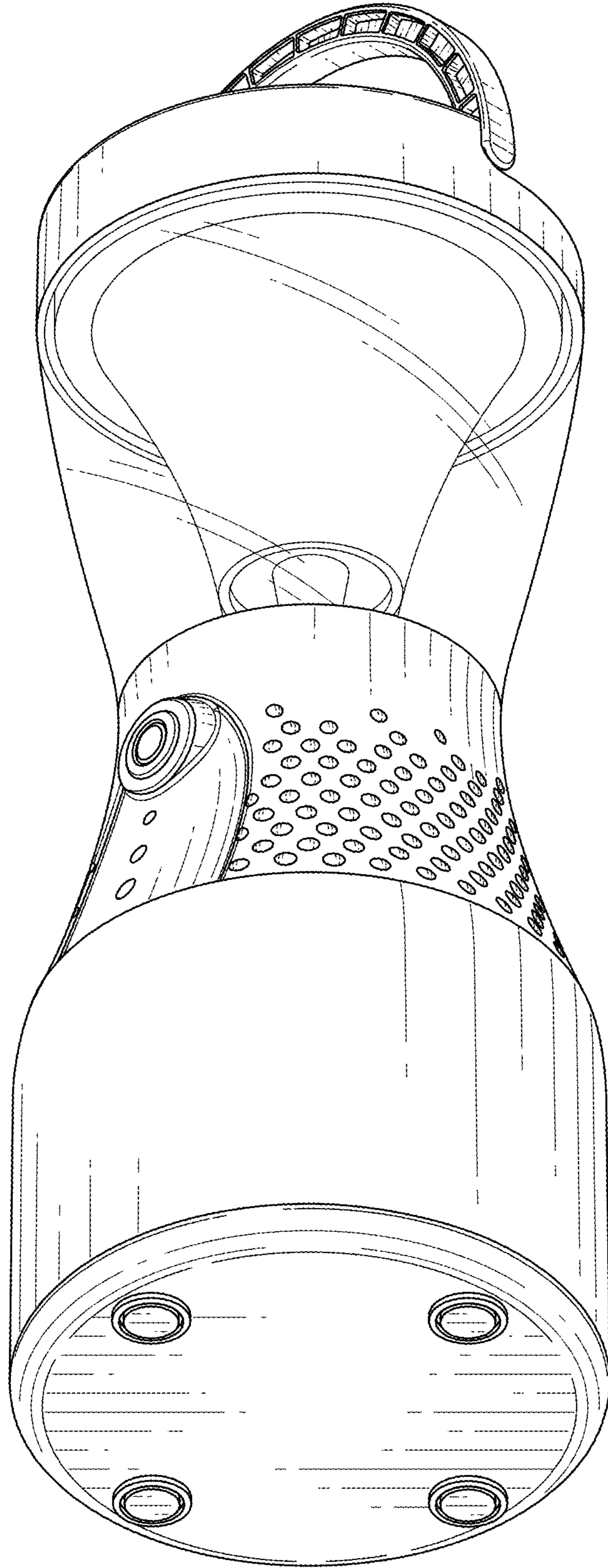


FIG. 9

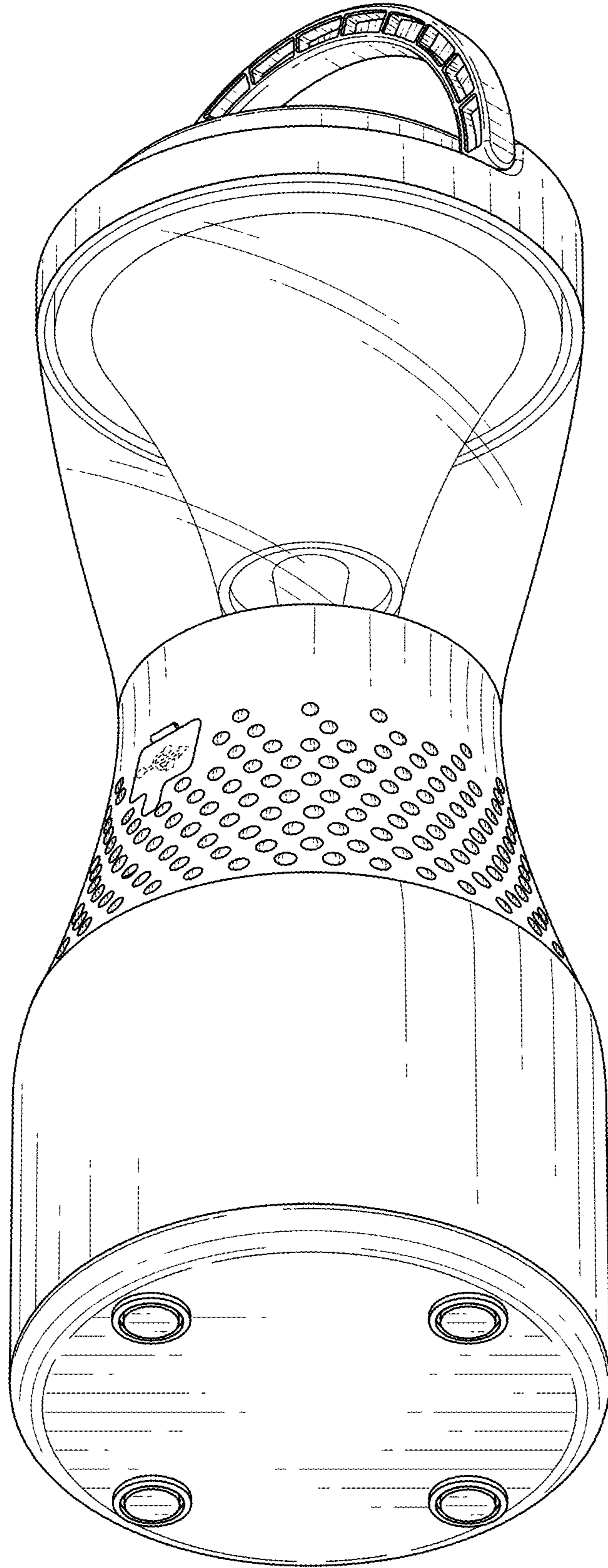


FIG. 10

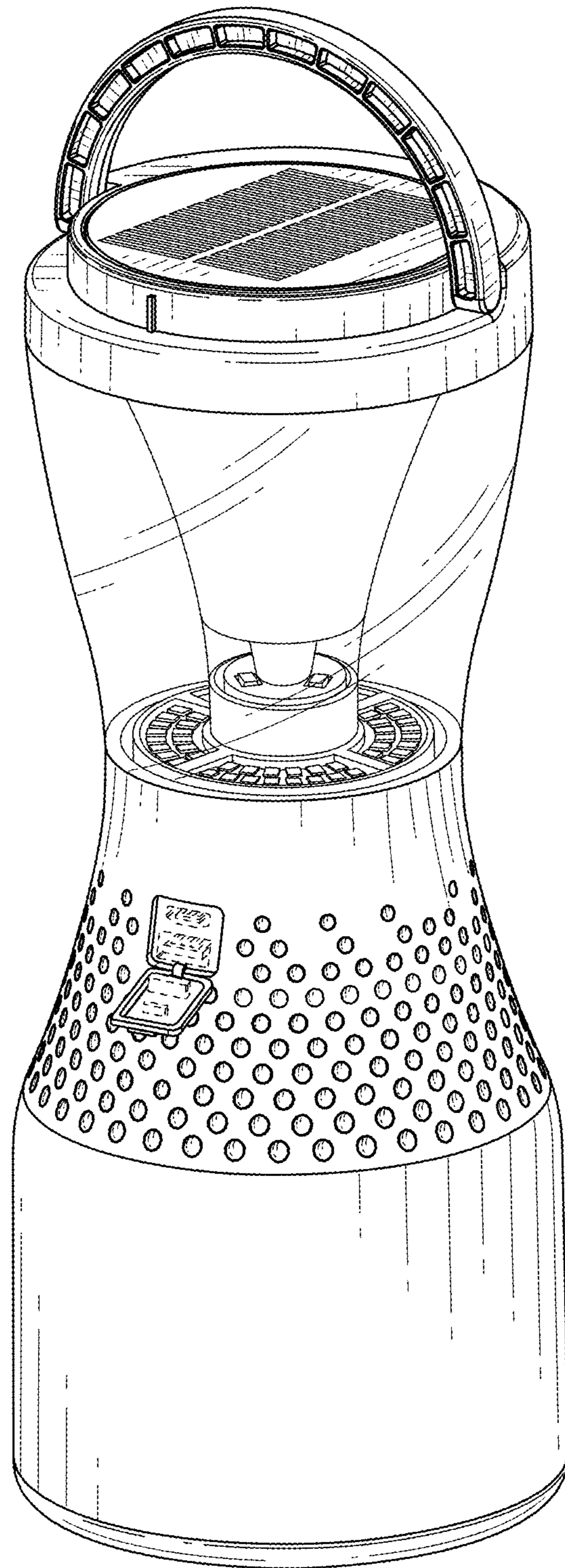


FIG. 11