



US00D914935S

(12) **United States Design Patent**
Deng

(10) **Patent No.:** **US D914,935 S**
(45) **Date of Patent:** **** Mar. 30, 2021**

(54) **EXPLOSION-PROOF LIGHT**
(71) Applicant: **Jinsheng Deng**, Dongguan (CN)
(72) Inventor: **Jinsheng Deng**, Dongguan (CN)
(73) Assignee: **DONGGUAN PAN AMERICAN ELECTRONICS CO., LTD**, Dongguan (CN)
(**) Term: **15 Years**

4,275,435 A * 6/1981 Dorn F21V 15/02
362/368
4,305,120 A * 12/1981 Lacinski F21V 21/145
362/344
4,310,874 A * 1/1982 Spiteri F21L 14/02
362/212
D271,057 S * 10/1983 Tirpik D26/37
D282,211 S * 1/1986 Tang D26/41
4,672,515 A * 6/1987 Baker F21L 14/02
24/20 LS
D298,657 S * 11/1988 Flores D26/37
(Continued)

(21) Appl. No.: **29/643,682**
(22) Filed: **Apr. 10, 2018**
(51) **LOC (13) Cl.** **26-02**
(52) **U.S. Cl.**
USPC **D26/41**
(58) **Field of Classification Search**
USPC D26/24, 37-42, 49
CPC F21S 48/10; F21S 48/115; F21S 48/225;
F21S 48/1233; F21S 48/1266; F21S
48/1388; F21S 48/2268; F21V 21/00;
F21V 21/04; F21V 15/00; H05B 31/00;
F21L 2003/00; H01R 13/46; H01R
13/514; H01R 31/02
See application file for complete search history.

OTHER PUBLICATIONS

amazon.com: Explosion Proof LED Drop Light/Trouble Light. Date uploaded: Apr. 24, 2015. Retrieved on Sep. 23, 2020 from <https://www.amazon.com/Larson-Electronics-0321OXBM7DS-Explosion-Trouble/dp/B00WLCGZYU> (Year: 2015).*
(Continued)

Primary Examiner — Sheryl Lane
Assistant Examiner — Stacey L Hopkins

(57) **CLAIM**

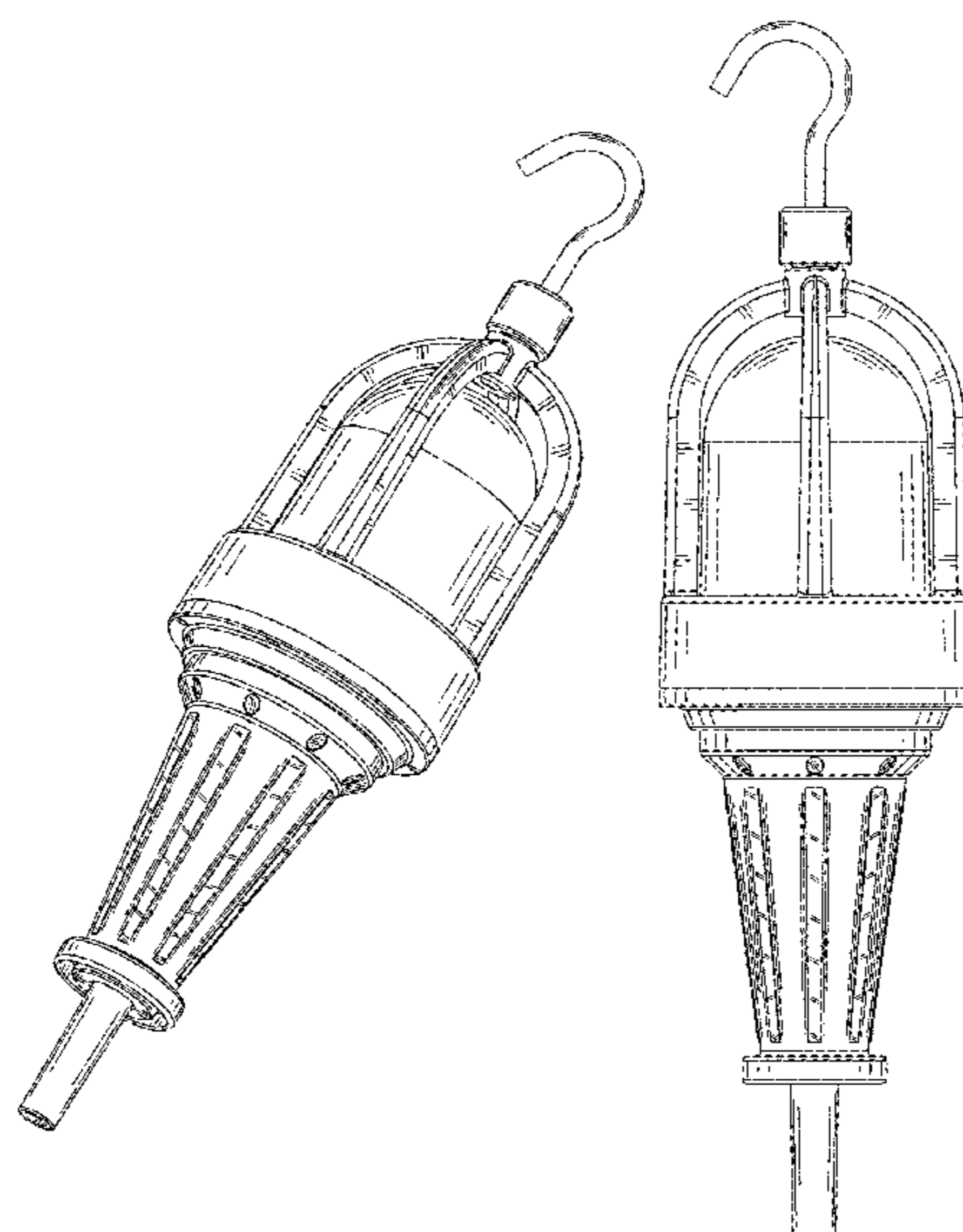
The ornamental design for an explosion-proof light, as shown and described.

DESCRIPTION

FIG. 1 is a perspective view of an explosion-proof light showing my new design;
FIG. 2 is a front elevation view thereof;
FIG. 3 is a rear elevation view thereof;
FIG. 4 is a left side elevation view thereof;
FIG. 5 is a right side elevation view thereof;
FIG. 6 is a top plan view thereof; and,
FIG. 7 is a bottom plan view thereof.
The broken lines in the drawings illustrate portions of the explosion-proof light that forms no part of the claimed design.

(56) **References Cited**
U.S. PATENT DOCUMENTS
1,953,623 A * 4/1934 McGill F21L 14/00
362/344
2,228,680 A * 1/1941 Tornblom F21L 14/026
362/376
D218,114 S * 7/1970 Kahn D26/41
3,761,862 A * 9/1973 Spiteri F21V 23/00
439/505
3,814,927 A * 6/1974 Buzza F21V 29/505
362/296.07
3,835,311 A * 9/1974 Kramer F21V 15/02
362/376
D251,751 S * 5/1979 Lawrence D26/119

1 Claim, 7 Drawing Sheets



(56)

References Cited

U.S. PATENT DOCUMENTS

4,864,477 A * 9/1989 Engelman F21L 14/02
362/376
4,999,752 A * 3/1991 Rogers F21L 14/023
315/165
D322,328 S * 12/1991 Burgett D26/37
D322,680 S * 12/1991 Baggio D26/37
D326,726 S * 6/1992 Swain, Jr. D26/51
5,154,511 A * 10/1992 Veneskey F21L 14/02
362/282
5,163,751 A * 11/1992 Bottiglieri F21L 14/02
362/376
D331,634 S * 12/1992 Browne D26/119
5,213,412 A * 5/1993 Ciallella F21L 15/14
362/396
D339,425 S * 9/1993 Anderson D26/37
5,243,505 A * 9/1993 Carr F21L 14/02
362/275
D344,150 S * 2/1994 Umhauser D26/37
5,416,685 A * 5/1995 Myers F21L 14/02
362/260
D359,139 S * 6/1995 Kaczmarek D26/119
5,452,194 A * 9/1995 Phalen F21L 14/02
362/376
D367,123 S * 2/1996 Blye D26/40
5,568,968 A * 10/1996 Jaramillo F21L 14/02
248/299.1
D375,381 S * 11/1996 Carr D26/119
D391,655 S * 3/1998 Hughes D26/37
D395,702 S * 6/1998 Flatt D23/314
5,833,357 A * 11/1998 Ting F21L 14/02
362/378
5,961,207 A * 10/1999 Petkovic F21L 14/02
362/376
D437,068 S * 1/2001 Townsend D26/40
6,170,966 B1 * 1/2001 Schwarzmann F21L 14/02
362/277
6,534,926 B1 * 3/2003 Miller H05B 41/2851
315/209 R
D489,467 S * 5/2004 Mackin D26/119

6,902,295 B2 * 6/2005 Galvez F21L 14/026
362/222
D527,128 S * 8/2006 Lo D26/40
D541,453 S * 4/2007 Lau D26/40
7,220,024 B1 * 5/2007 Berends F21L 14/02
362/217.08
D554,785 S * 11/2007 Brown D26/41
7,367,698 B2 * 5/2008 Miller F21L 14/026
362/220
D596,327 S * 7/2009 Jiang D26/42
7,635,208 B2 * 12/2009 Hedrick F21L 14/02
16/110.1
D622,430 S * 8/2010 Chilton D26/41
D628,325 S * 11/2010 Houghton D26/41
D641,925 S * 7/2011 Ko D26/138
D642,311 S * 7/2011 Ma D26/60
8,317,374 B2 * 11/2012 Hedrick F21V 15/02
362/398
9,182,090 B2 * 11/2015 Muehlemann F21V 21/406
D757,971 S * 5/2016 Kovacik D26/37
9,746,143 B2 * 8/2017 Osburn F21L 14/02
D858,838 S * 9/2019 Vasquez D26/60
D883,560 S * 5/2020 Cooper D26/119
D883,561 S * 5/2020 Romano D26/119
2006/0221615 A1 * 10/2006 Bayat F21L 14/026
362/260
2012/0087141 A1 * 4/2012 Rancourt F21V 21/0965
362/398
2017/0370536 A1 * 12/2017 Berends F21V 21/0832

OTHER PUBLICATIONS

wctproducts.com: Explosion-Proof LED Drop Light with Hook. Undated online product page. Retrieved on Nov. 28, 2020 from <<https://www.wctproducts.com/products/work-lights/explosion-proof-led-drop-light.php>> (Year: 2020).*
explosionprooflighting.com: 120 Volt LED Explosion Proof Hand Lamp. Undated online product page. Retrieved on Nov. 28, 2020 from <<https://www.explosionprooflighting.com/shop/explosion-proof-hand-lamps/12v-120v-hand-lamps/120-volt-led-explosion-proof-hand-lamp/>> (Year: 2020).*

* cited by examiner

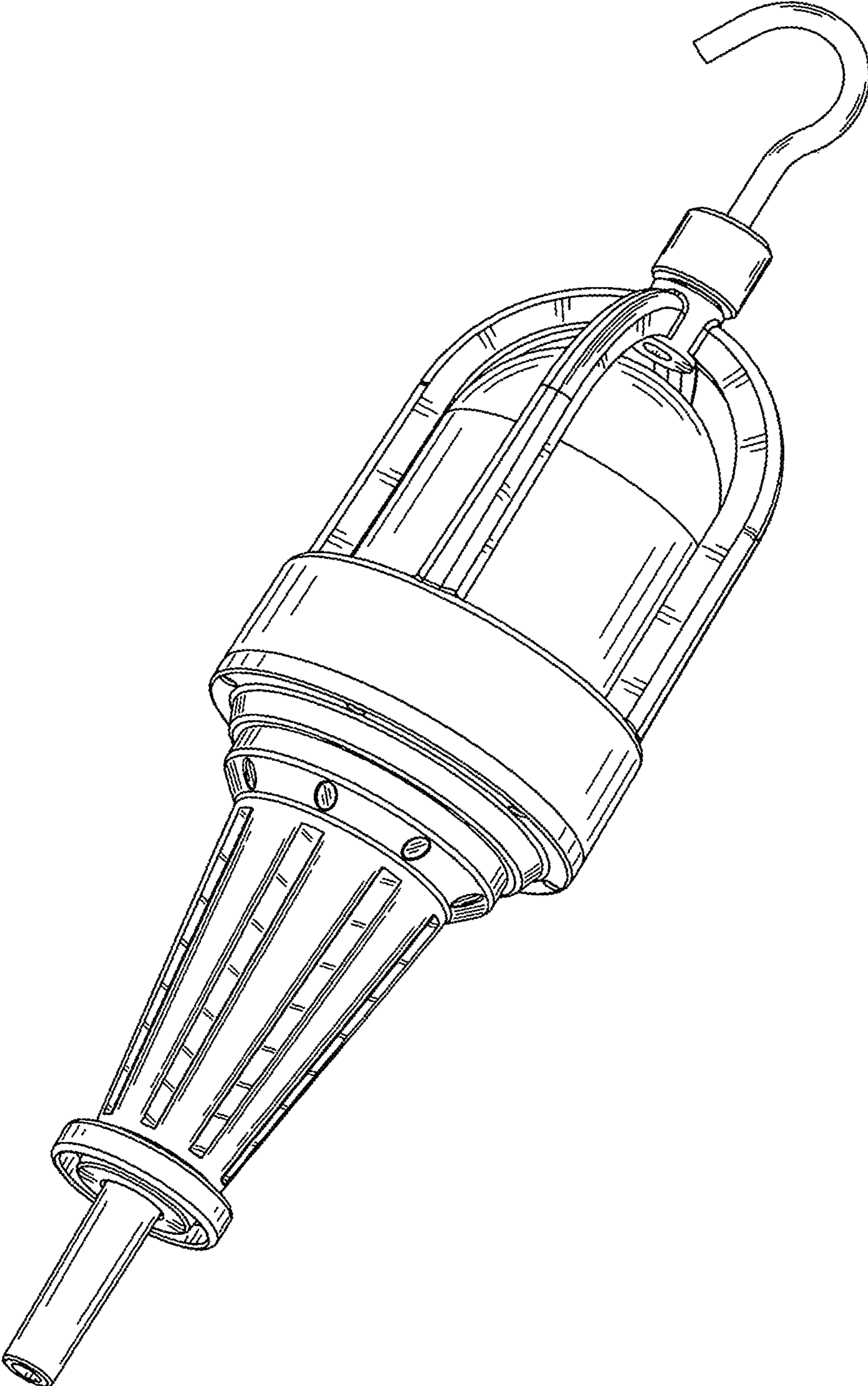


Fig. 1

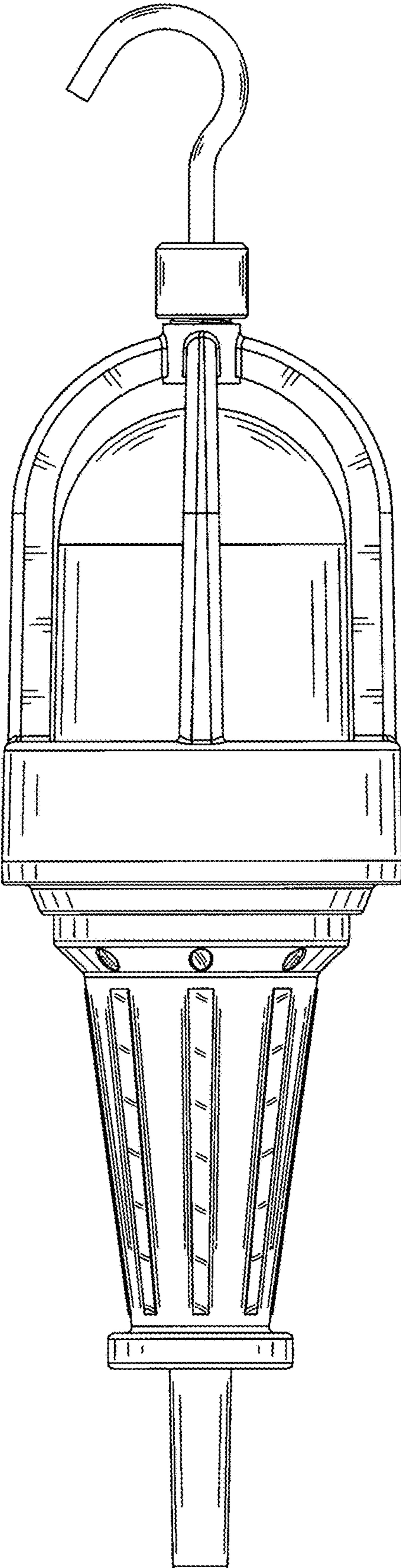


Fig. 2

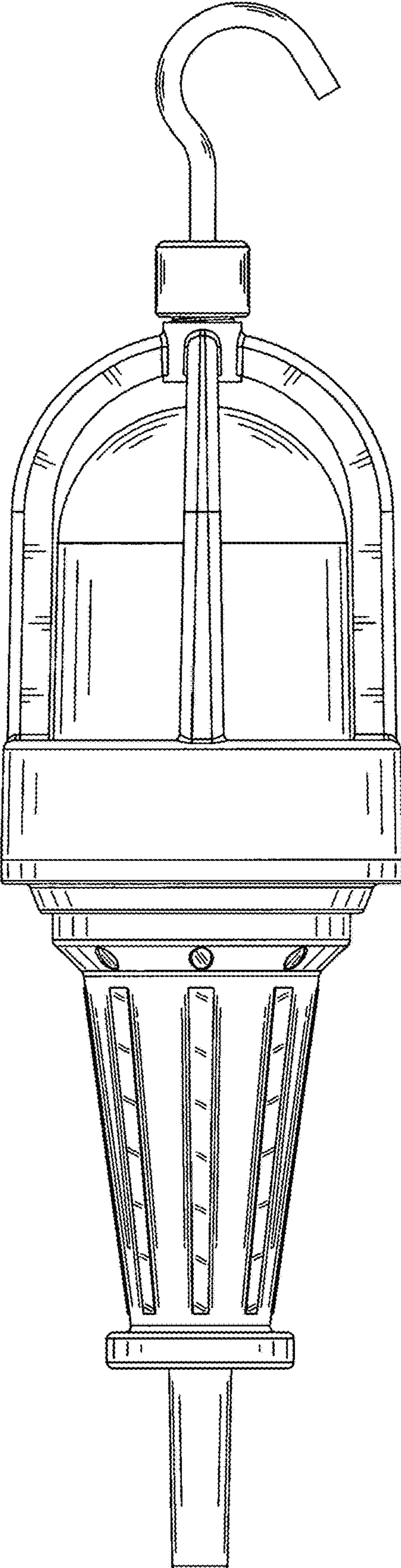


Fig. 3

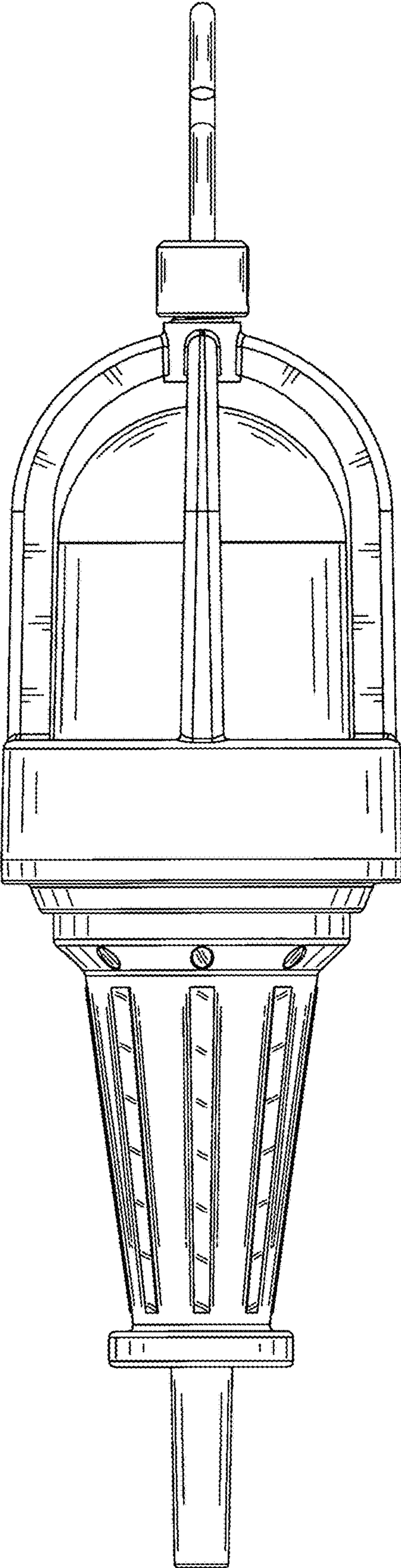


Fig. 4

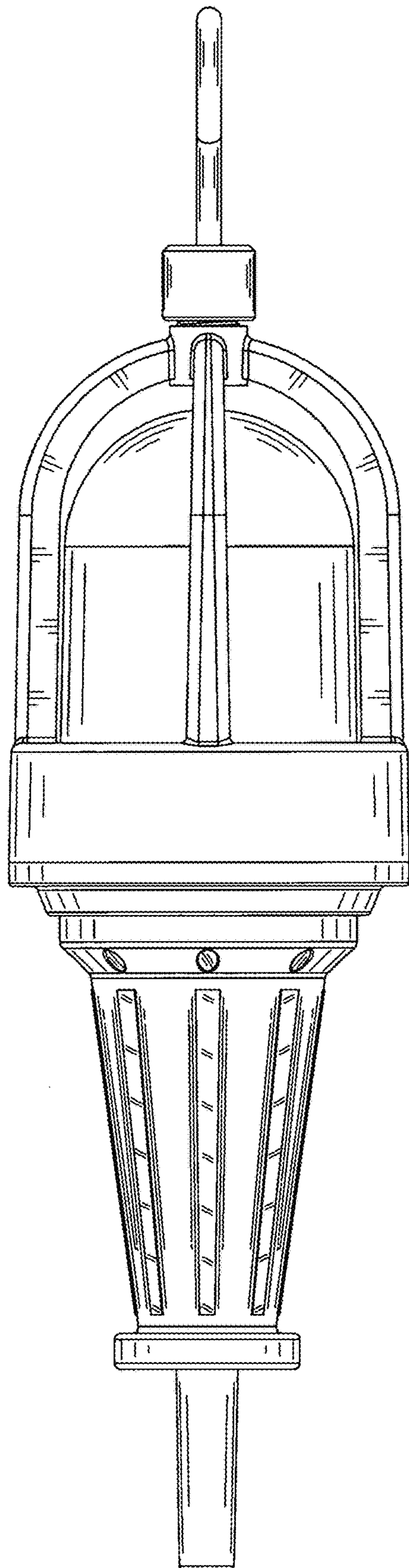


Fig. 5

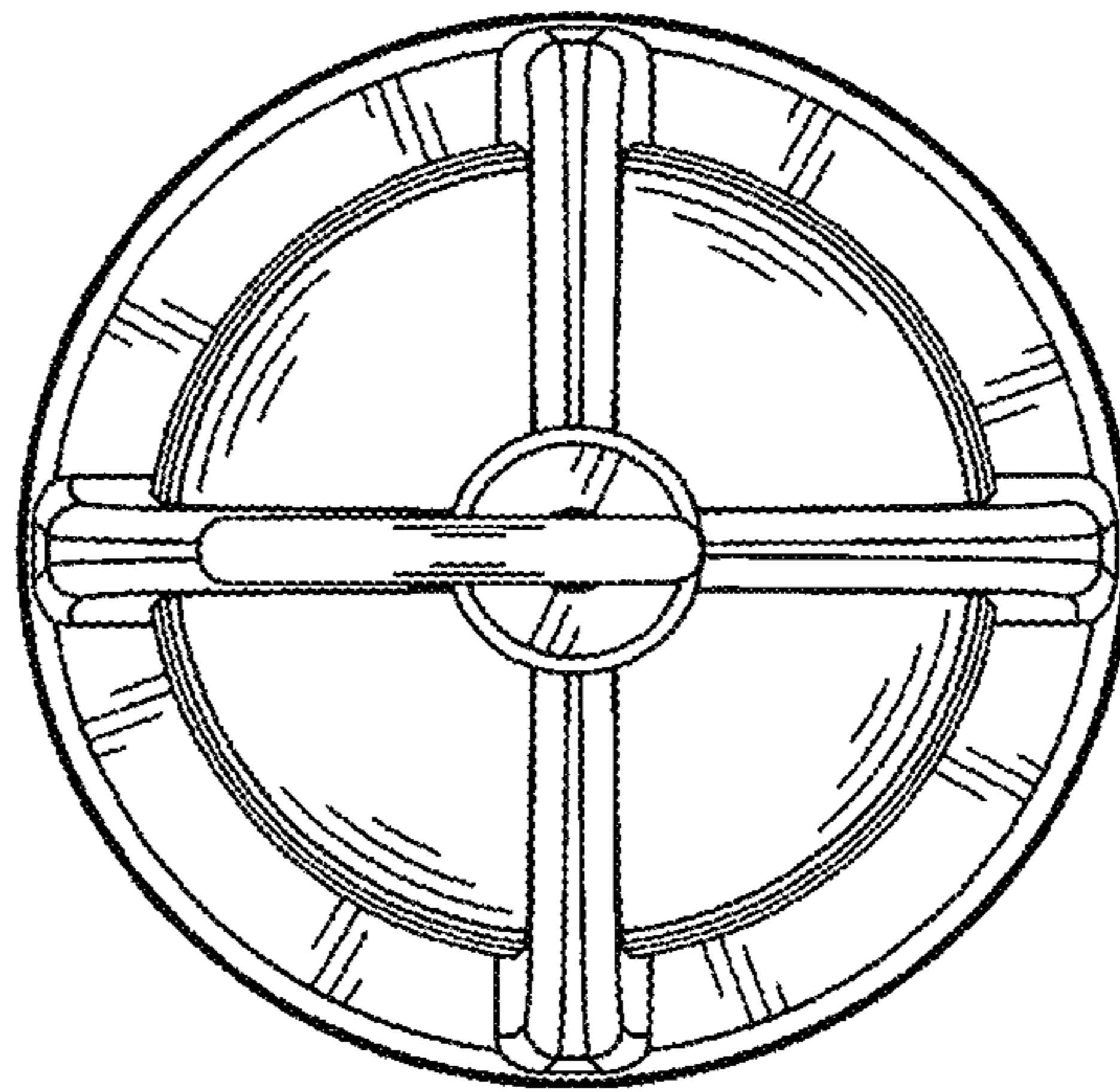


Fig. 6

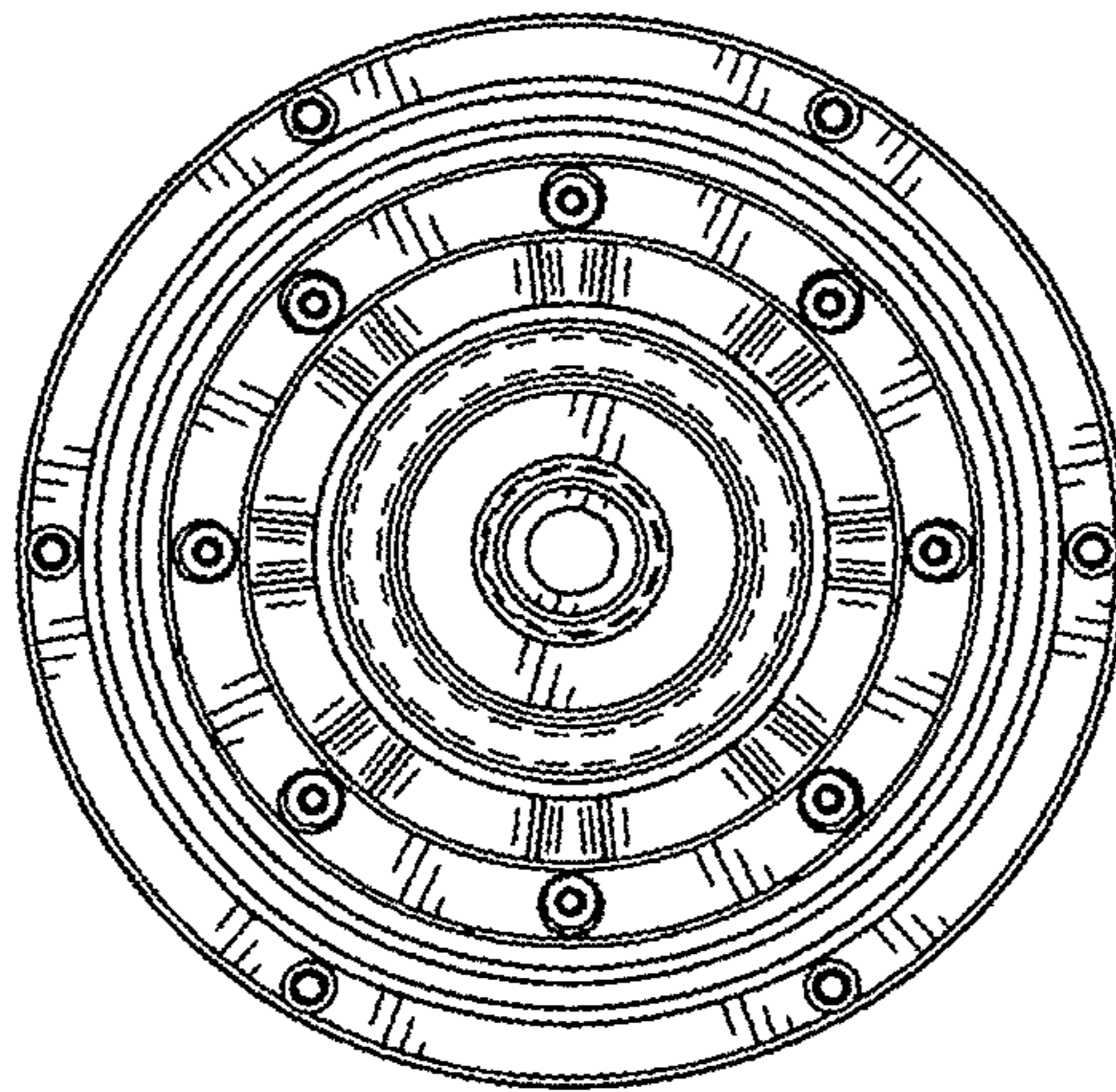


Fig. 7