



US00D914933S

(12) **United States Design Patent**
Kim et al.

(10) **Patent No.:** **US D914,933 S**

(45) **Date of Patent:** **** Mar. 30, 2021**

(54) **HEAD LAMP FOR AN AUTOMOBILE**

(71) Applicants: **Hyundai Motor Company**, Seoul
(KR); **Kia Motors Corporation**, Seoul
(KR)

(72) Inventors: **Jin Hyun Kim**, Suwon-si (KR); **Hong**
Seok Choi, Incheon (KR)

(73) Assignees: **Hyundai Motor Company**, Seoul
(KR); **Kia Motors Corporation**, Seoul
(KR)

D707,377 S * 6/2014 Kim D26/28
D710,523 S * 8/2014 Kaneda D26/28
D735,920 S * 8/2015 Honda D26/28
D740,976 S * 10/2015 Ko D26/28
D745,717 S * 12/2015 Wu D26/28
D755,427 S * 5/2016 Handt D26/28
D768,319 S * 10/2016 Wheel D26/28
D785,837 S * 5/2017 Lee D26/28
D812,791 S * 3/2018 Wu D26/28
D851,294 S * 6/2019 Whang D26/28
D867,633 S * 11/2019 Kanasugi D26/28
D867,637 S * 11/2019 Kong D26/28
D875,283 S * 2/2020 He D26/28
D883,539 S * 5/2020 Yu D26/28
D887,045 S * 6/2020 Lin D26/28
D889,001 S * 6/2020 He D26/28
D893,769 S * 8/2020 He D26/28
D903,909 S * 12/2020 Kimura D26/28

(**) Term: **15 Years**

(21) Appl. No.: **35/508,326**

(22) Filed: **Jul. 10, 2019**

FOREIGN PATENT DOCUMENTS

(80) **Hague Agreement Data**

Int. Filing Date: **Jul. 10, 2019**
Int. Reg. No.: **DM/204092**
Int. Reg. Date: **Jul. 10, 2019**
Int. Reg. Pub. Date: **Jan. 10, 2020**

WO D204092-001 * 1/2020

* cited by examiner

Primary Examiner — Kevin K Rudzinski
Assistant Examiner — Richard Kearney
(74) *Attorney, Agent, or Firm* — Mintz Levin Cohn Ferris
Glovsky and Popeo, P.C.; Peter F. Corless; Carolina E.
Säve

(30) **Foreign Application Priority Data**

Feb. 27, 2019 (KR) 30-2019-0009027

(51) **LOC (13) Cl.** **26-06**

(52) **U.S. Cl.**
USPC **D26/28**

(58) **Field of Classification Search**
USPC D26/28, 29, 34–36
CPC .. F21S 41/00; F21S 41/20; F21S 41/30; F21S
43/14; F21S 43/15; F21S 43/20; B60Q
1/30; B60Q 1/2607; B60Q 1/2619; B60Q
1/2696; B62J 6/04
See application file for complete search history.

(57) **CLAIM**

The ornamental design for a head lamp for an automobile,
as shown and described.

DESCRIPTION

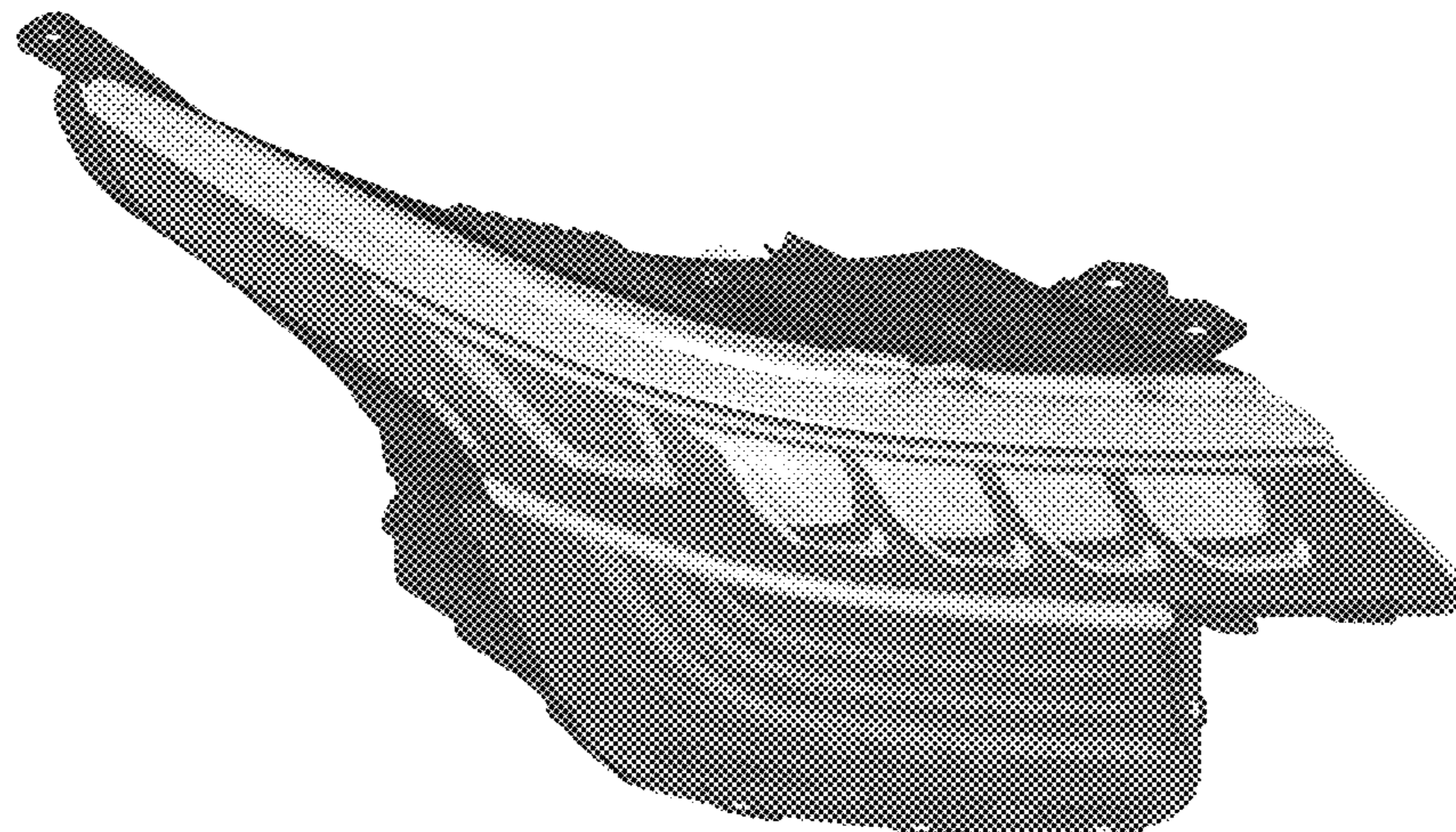
- 1. Head lamp for an automobile
- 1.1 : Perspective
- 1.2 : Front
- 1.3 : Back
- 1.4 : Left
- 1.5 : Right
- 1.6 : Top
- 1.7 : Bottom

(56) **References Cited**

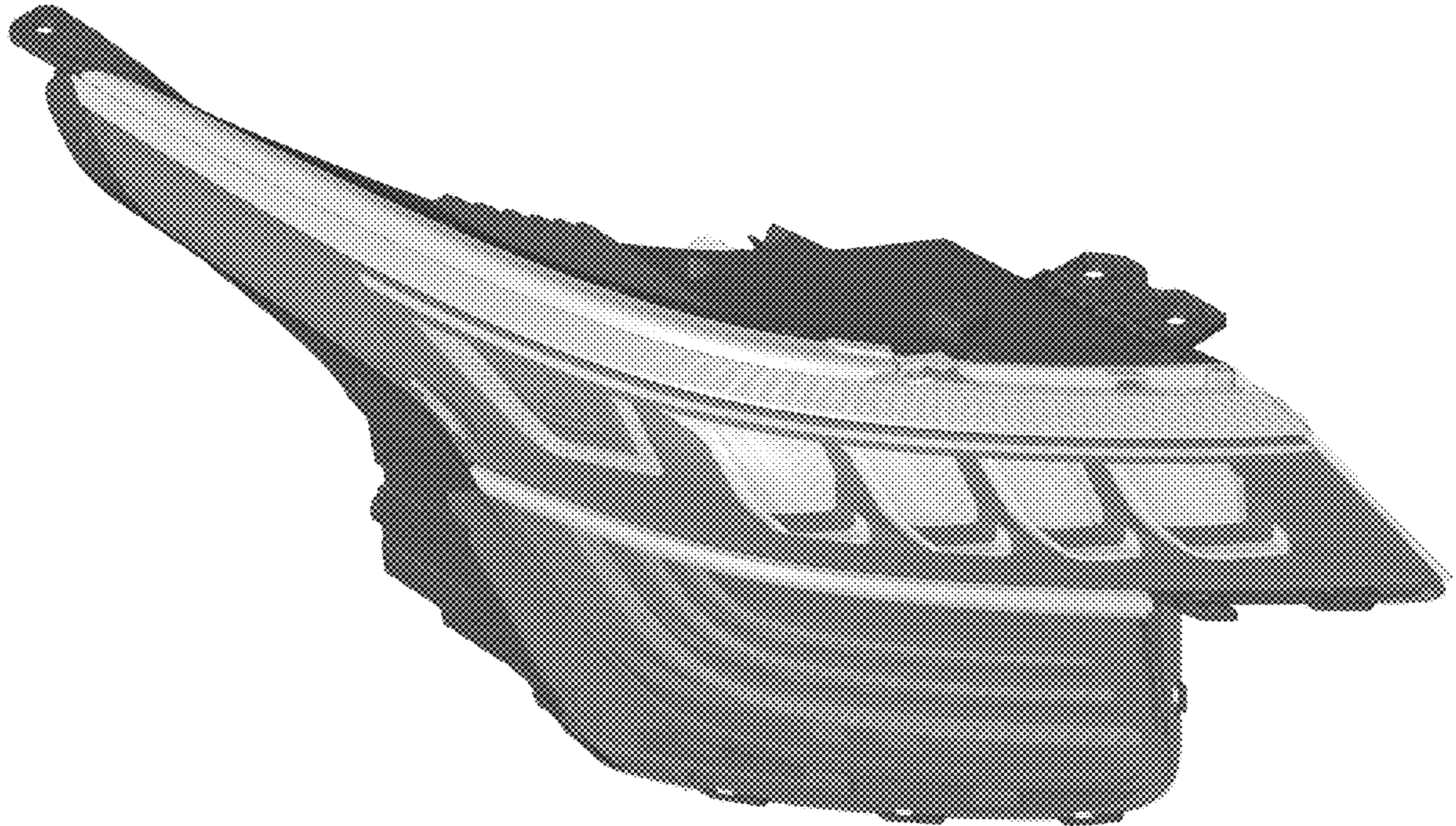
U.S. PATENT DOCUMENTS

D614,327 S * 4/2010 Bucher D26/28
D691,755 S * 10/2013 Lai D26/28

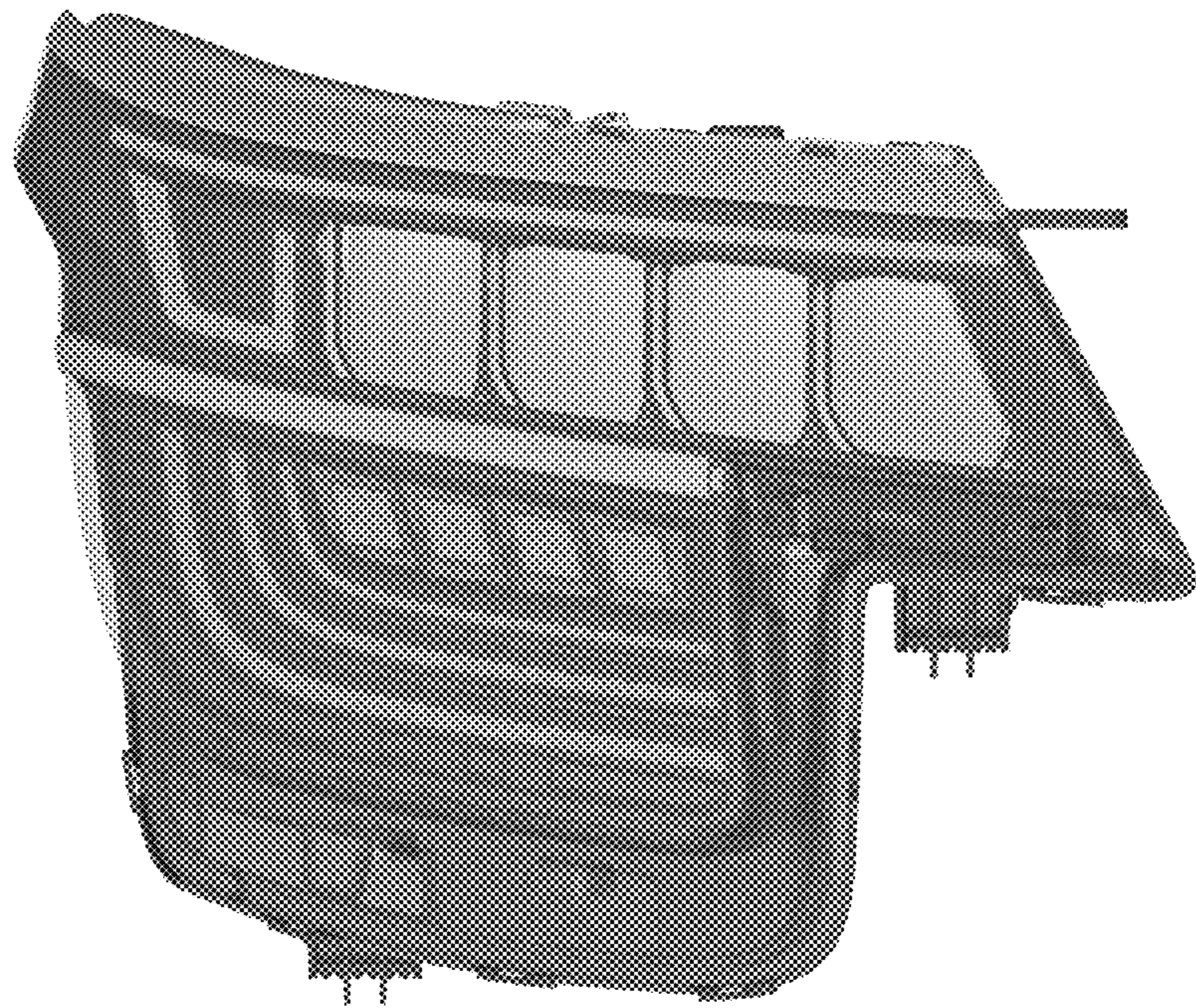
1 Claim, 7 Drawing Sheets



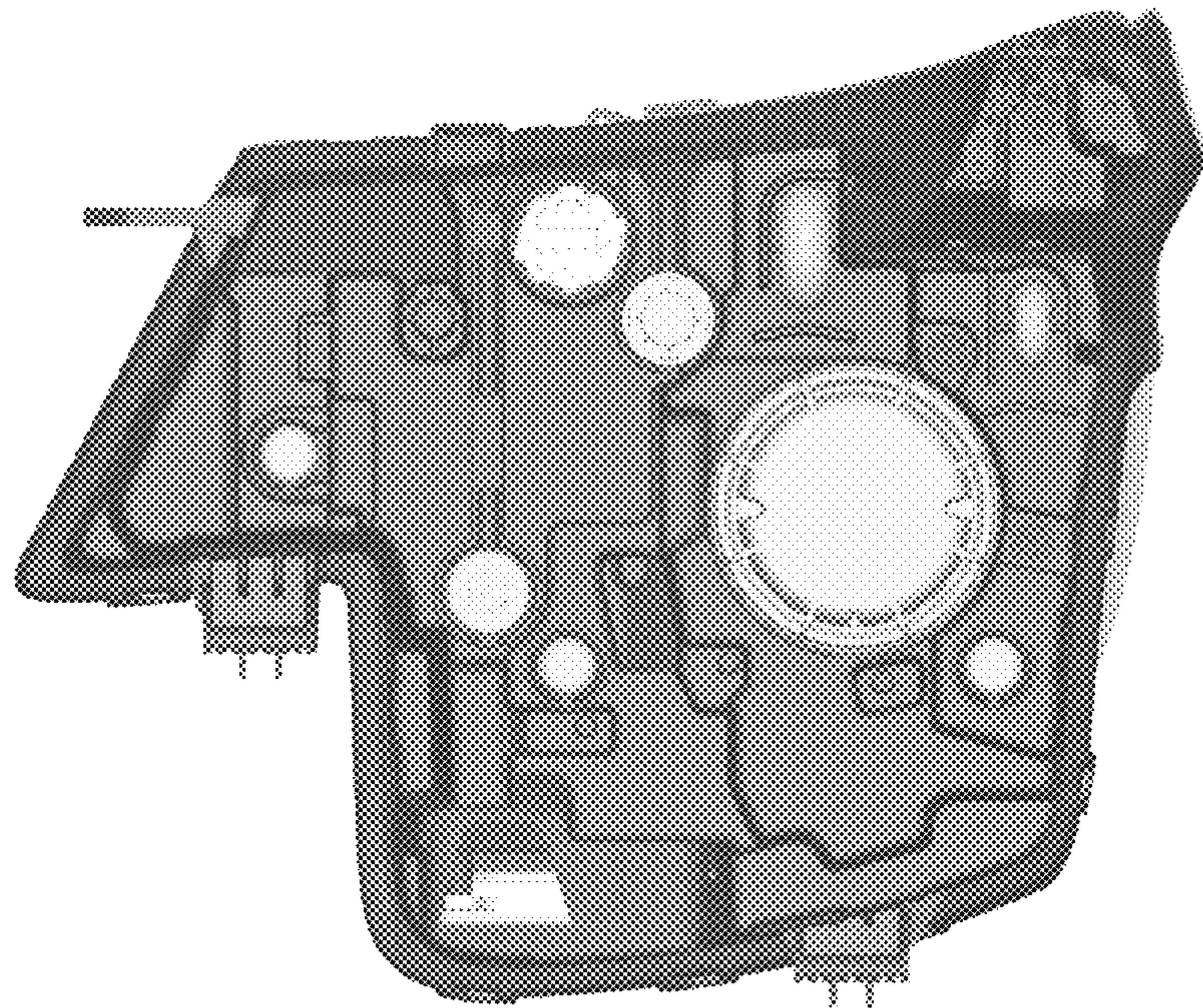
1.1



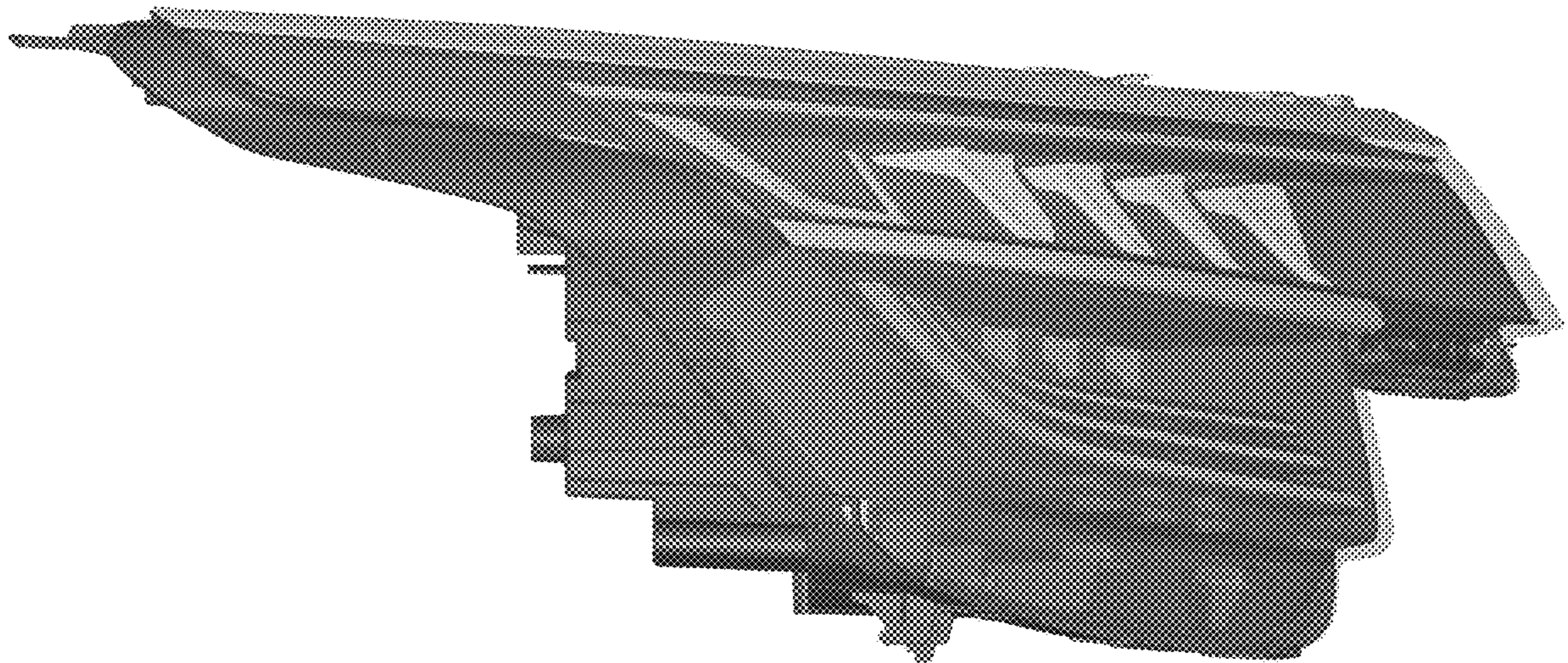
1.2



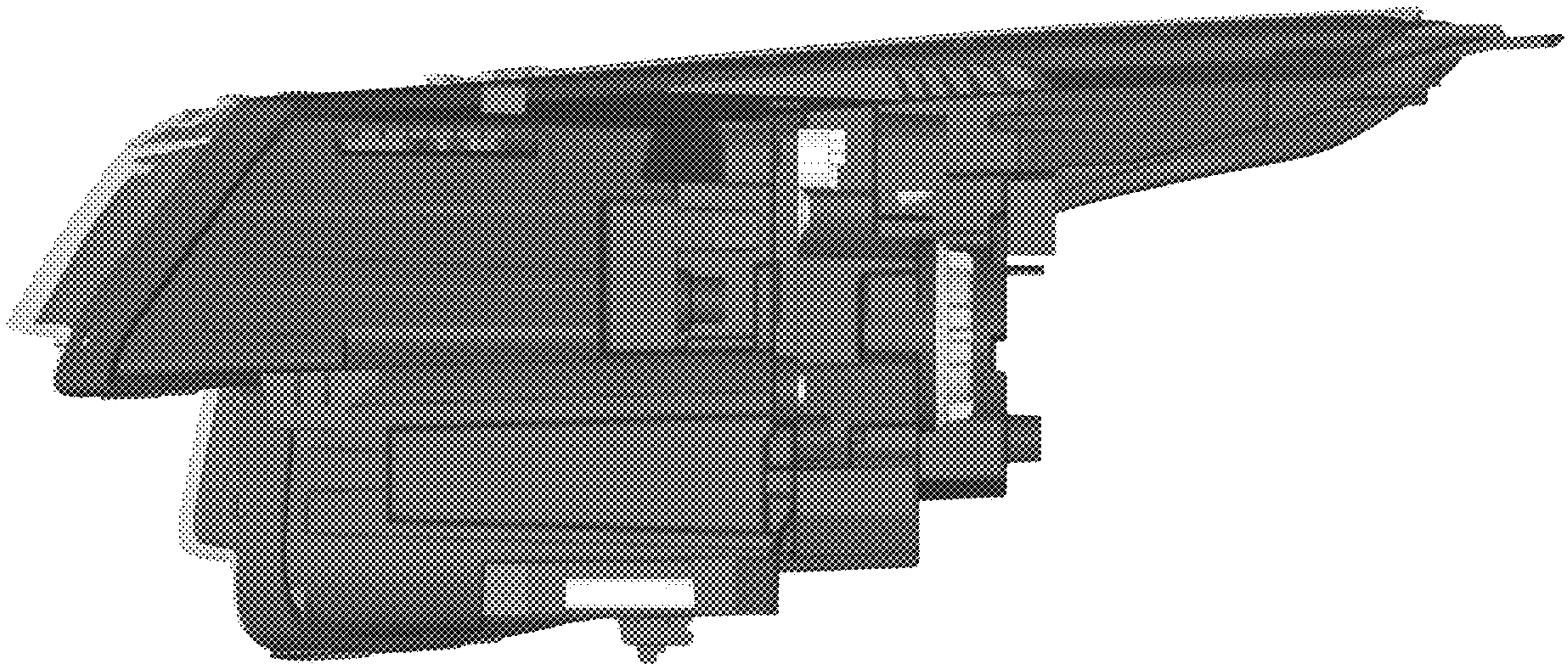
1.3



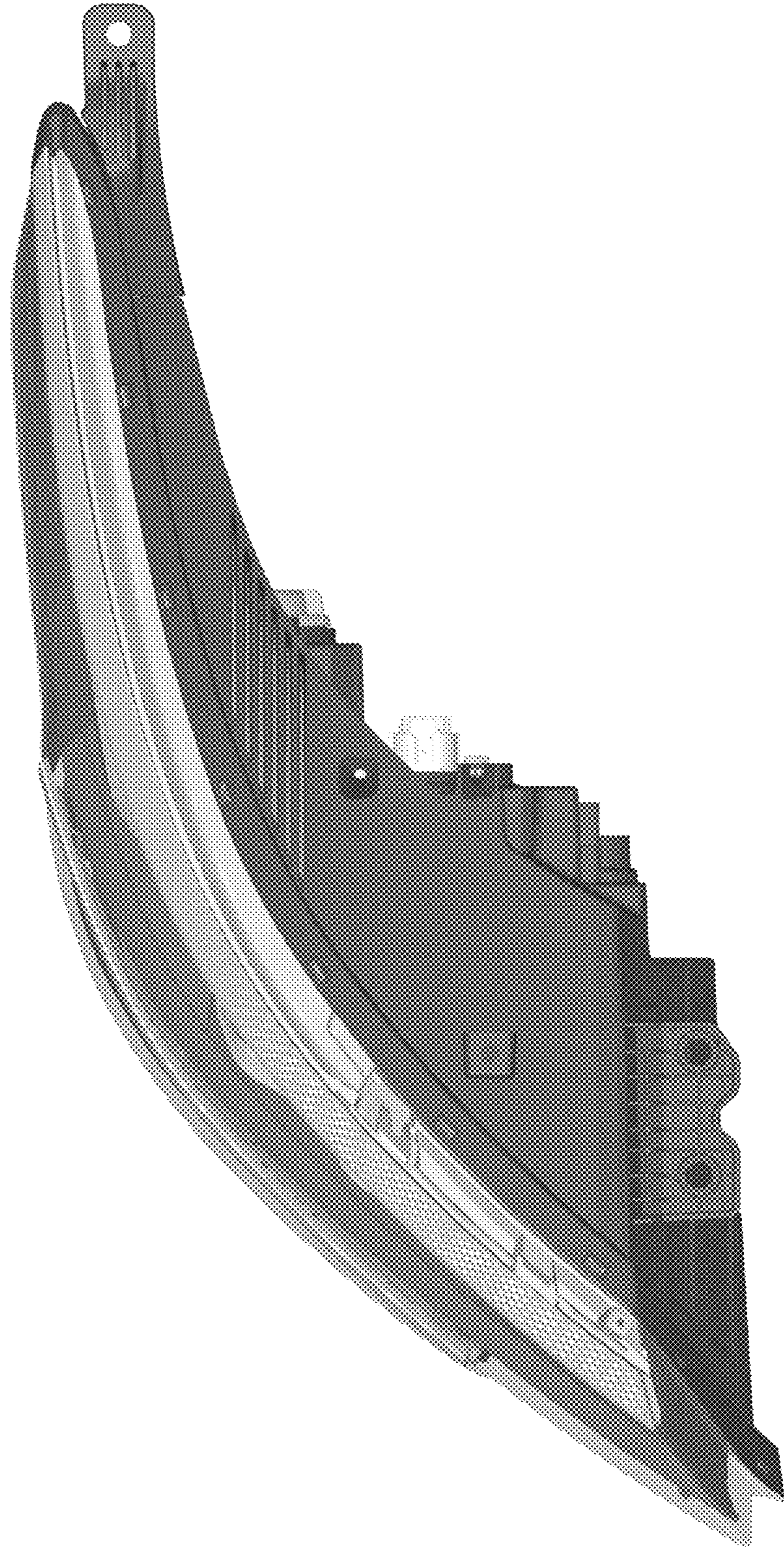
1.4



1.5



1.6



1.7

