



US00D914932S

(12) **United States Design Patent** (10) **Patent No.:** **US D914,932 S**  
**Choi et al.** (45) **Date of Patent:** **\*\* Mar. 30, 2021**

(54) **REAR COMBINATION LAMP FOR AN AUTOMOBILE**  
(71) Applicants: **Hyundai Motor Company**, Seoul (KR); **Kia Motors Corporation**, Seoul (KR)  
(72) Inventors: **Hong Seok Choi**, Incheon (KR); **Jin Hyun Kim**, Suwon-si (KR)  
(73) Assignees: **Hyundai Motor Company**, Seoul (KR); **Kia Motors Corporation**, Seoul (KR)

(\*\*) Term: **15 Years**  
(21) Appl. No.: **35/508,310**  
(22) Filed: **Jul. 10, 2019**  
(80) **Hague Agreement Data**  
Int. Filing Date: **Jul. 10, 2019**  
Int. Reg. No.: **DM/203953**  
Int. Reg. Date: **Jul. 10, 2019**  
Int. Reg. Pub. Date: **Jan. 10, 2020**

(30) **Foreign Application Priority Data**  
Feb. 25, 2019 (KR) ..... 30-2019-0008370

(51) **LOC (13) Cl.** ..... **26-06**  
(52) **U.S. Cl.**  
USPC ..... **D26/28**  
(58) **Field of Classification Search**  
USPC ..... D26/28, 29, 34-36  
CPC .. F21S 41/00; F21S 41/20; F21S 41/30; F21S 43/14; F21S 43/15; F21S 43/20; B60Q 1/30; B60Q 1/2607; B60Q 1/2619; B60Q 1/2696; B62J 6/04  
See application file for complete search history.

(56) **References Cited**

**U.S. PATENT DOCUMENTS**

D739,583 S \* 9/2015 Forsgren ..... D26/28  
D755,422 S \* 5/2016 Kong ..... D26/28  
D774,221 S \* 12/2016 Lim ..... D26/28

D777,960 S \* 1/2017 Han ..... D26/28  
D808,048 S \* 1/2018 Hannemann ..... D26/28  
D832,477 S \* 10/2018 Ha ..... D26/28  
D876,689 S \* 2/2020 Thomas ..... D26/28  
D880,739 S \* 4/2020 Thiebaud ..... D26/28  
D890,391 S \* 7/2020 Lee ..... D26/28  
D893,774 S \* 8/2020 Binder ..... D26/28  
D902,457 S \* 11/2020 Nordmann ..... D26/28

**FOREIGN PATENT DOCUMENTS**

WO RGN-D203951-001 \* 1/2020

**OTHER PUBLICATIONS**

2013\_kia\_optima\_hybrid\_taillight (available online) Retrieved from the internet Nov. 18, 2020 from URL: [https://cars.usnews.com/static/images/Auto/izmo/359777/2013\\_kia\\_optima\\_hybrid\\_taillight.jpg](https://cars.usnews.com/static/images/Auto/izmo/359777/2013_kia_optima_hybrid_taillight.jpg).\*

\* cited by examiner

*Primary Examiner* — Kevin K Rudzinski

*Assistant Examiner* — Richard Kearney

(74) *Attorney, Agent, or Firm* — Mintz Levin Cohn Ferris Glovsky and Popeo, P.C.; Peter F. Corless; Carolina E. Säve

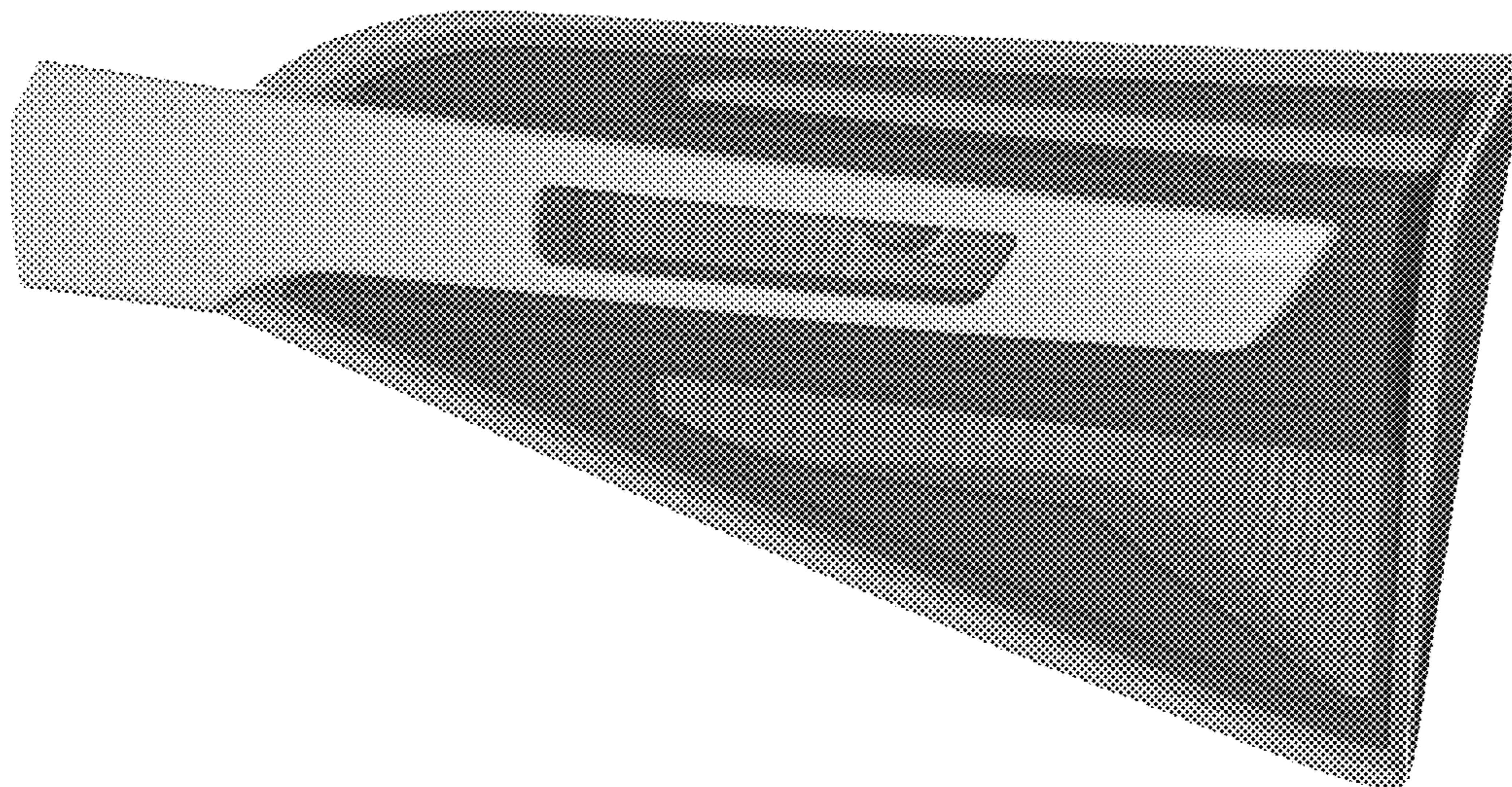
(57) **CLAIM**

The ornamental design for a rear combination lamp for an automobile, as shown and described.

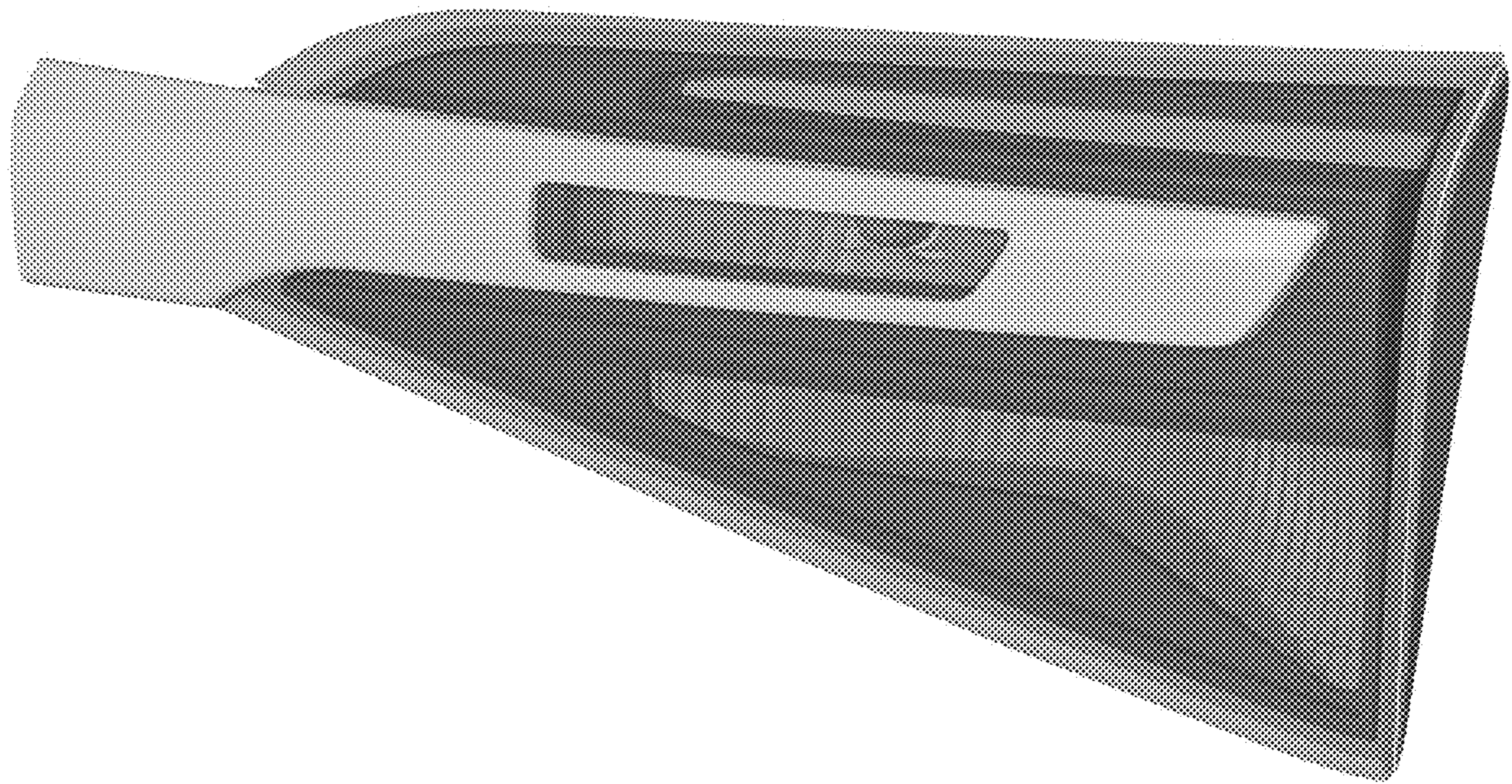
**DESCRIPTION**

- 1. Rear combination lamp for an automobile
- 1.1 : Perspective
- 1.2 : Front
- 1.3 : Back
- 1.4 : Left
- 1.5 : Right
- 1.6 : Top
- 1.7 : Bottom

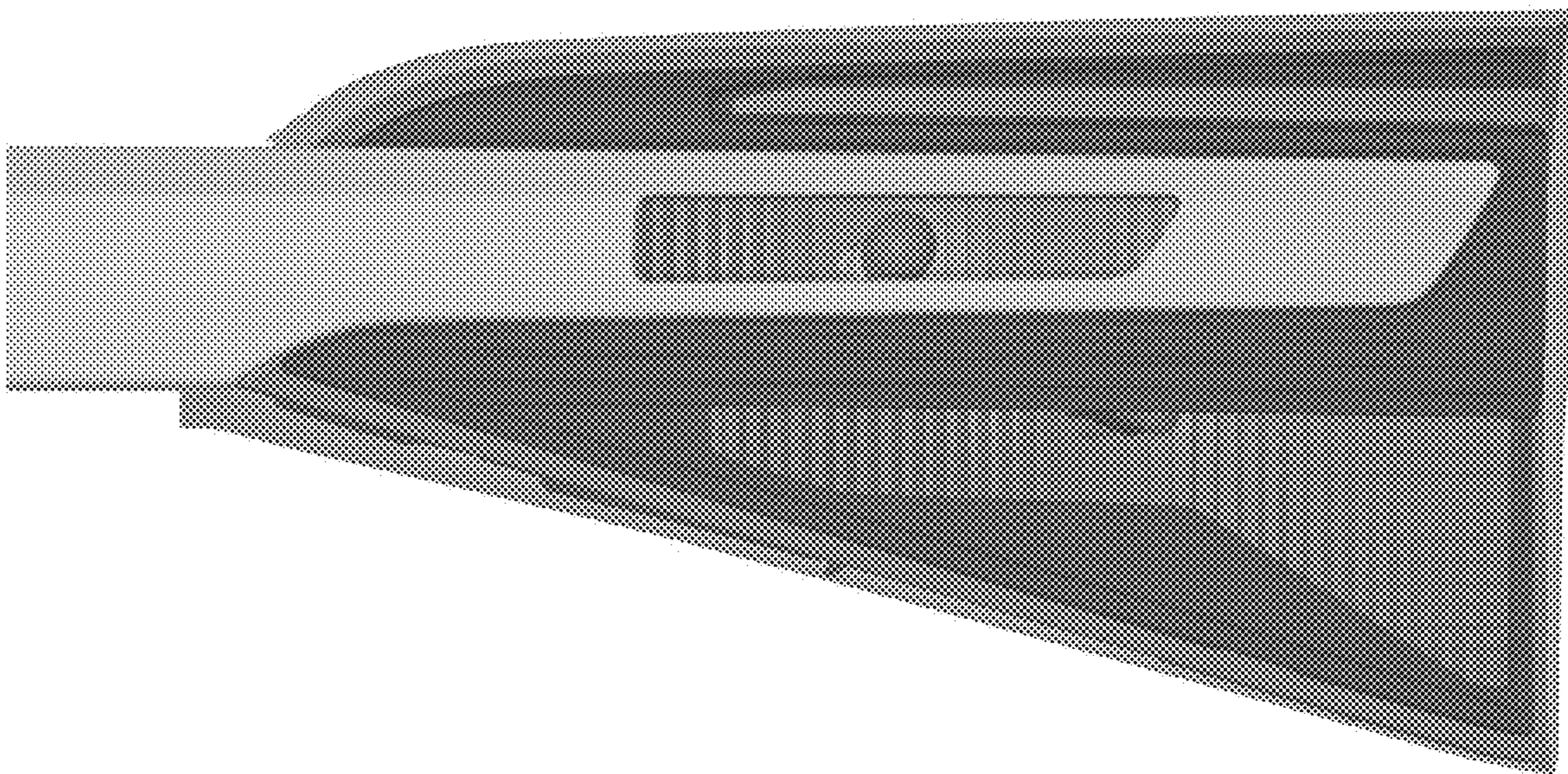
**1 Claim, 7 Drawing Sheets**



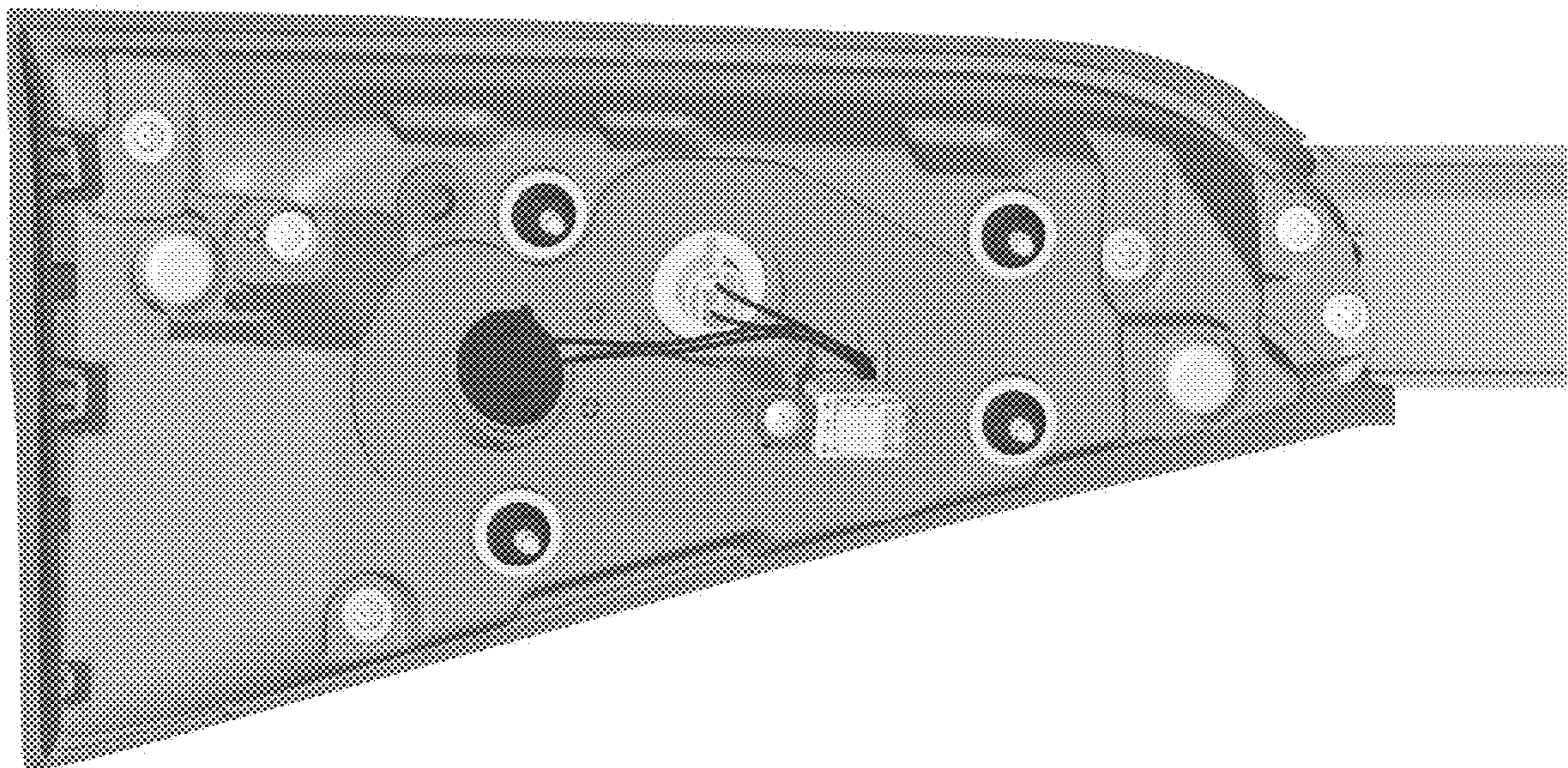
1.1



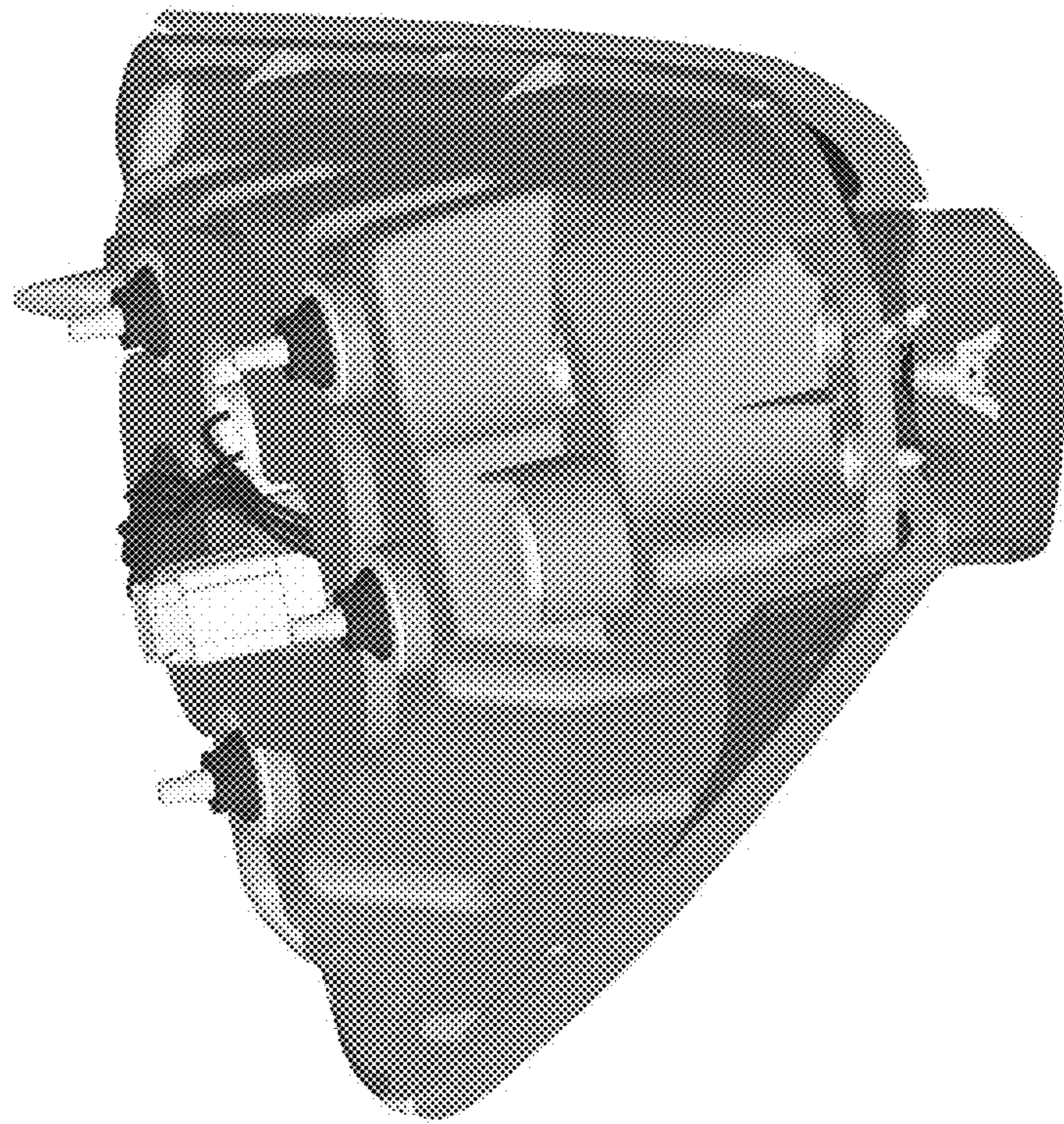
1.2



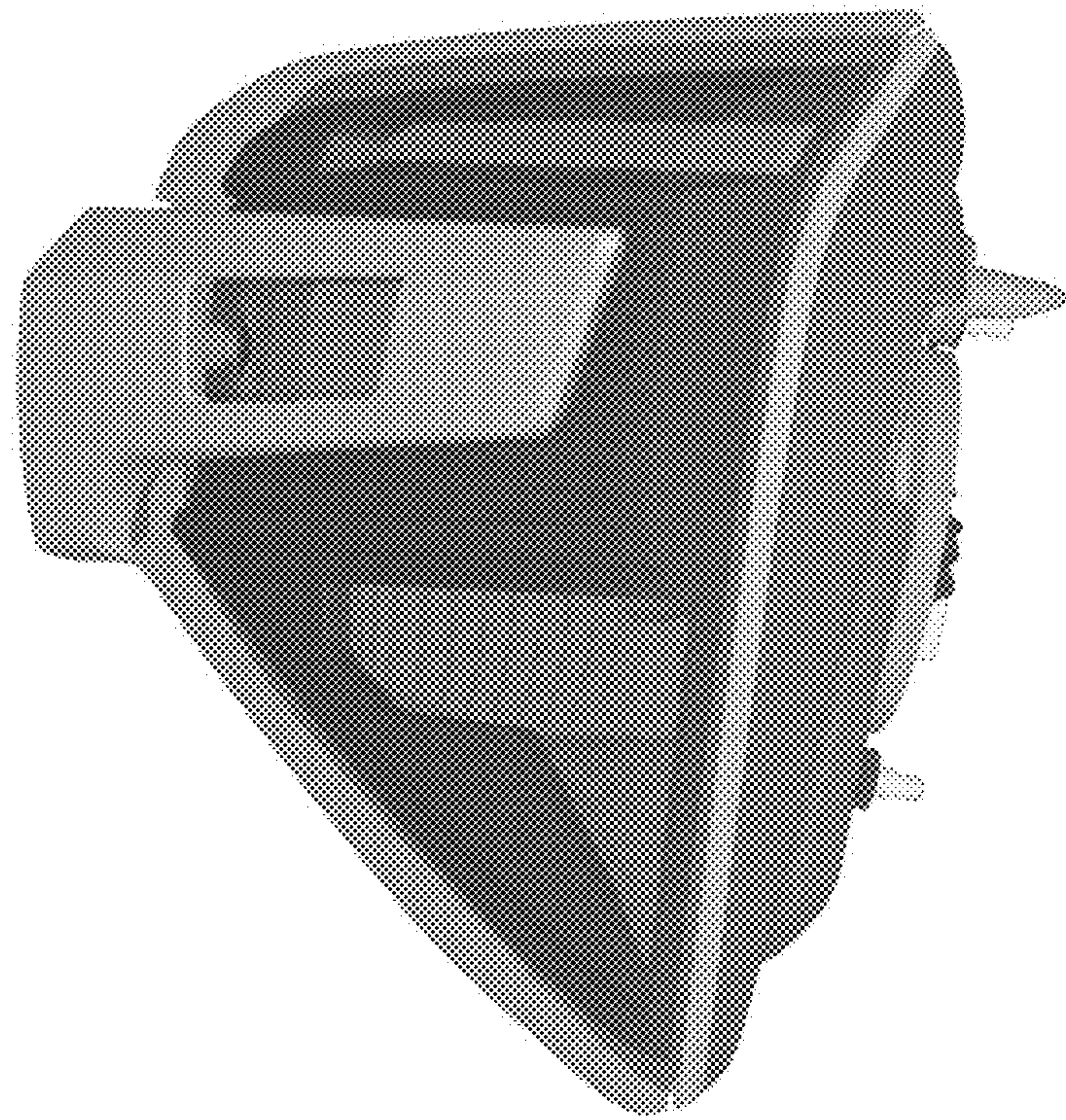
1.3



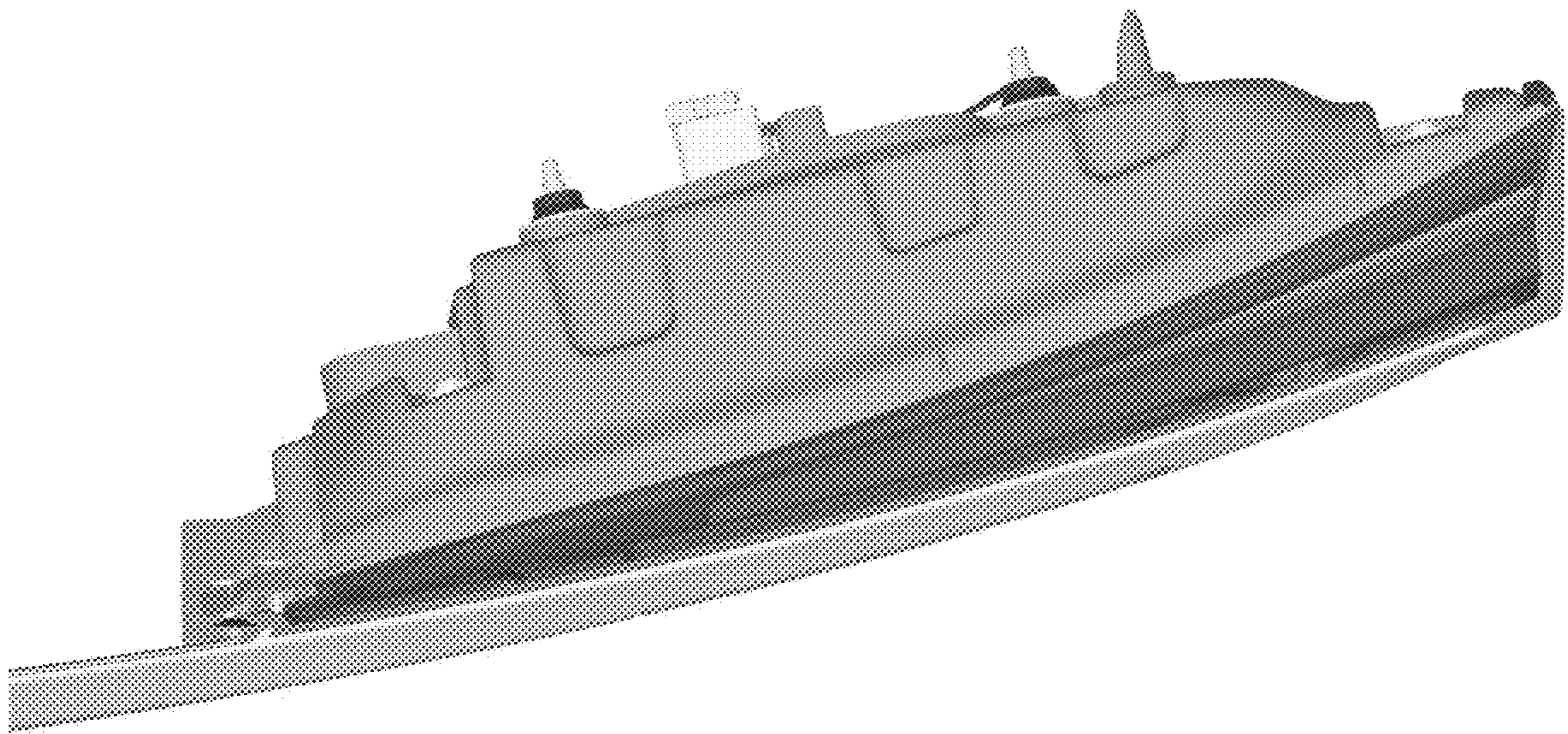
1.4



1.5



1.6



1.7

