



US00D914929S

(12) **United States Design Patent**
Guo

(10) **Patent No.:** **US D914,929 S**

(45) **Date of Patent:** **** Mar. 30, 2021**

(54) **CAR CENTER CONSOLE NEON LIGHT**

(71) Applicant: **SHENZHEN SHENYUANXIN TECHNOLOGY CO., LTD,**
Guangdong (CN)

(72) Inventor: **Jinhao Guo,** Guangdong (CN)

(**) Term: **15 Years**

(21) Appl. No.: **29/743,292**

(22) Filed: **Jul. 21, 2020**

(51) **LOC (13) Cl.** **26-06**

(52) **U.S. Cl.**
USPC **D26/28**

(58) **Field of Classification Search**
USPC D26/28, 29, 30, 31, 32, 33, 34, 35, 36,
D26/44
CPC F21S 48/00; F21S 48/10; F21S 48/115;
F21S 48/225; F21S 48/1233; F21S
48/1266; F21S 48/1388; F21S 48/2268;
F21V 21/04; F21W 2103/35; F21W 3/40;
F21W 2102/17; F21W 2102/30; F21W
2103/00; F21W 2103/55; F21W 2104/00;
F21W 2107/17; F21W 2107/13
See application file for complete search history.

(56) **References Cited**

U.S. PATENT DOCUMENTS

5,142,457	A	*	8/1992	Wehner	B63B 45/02 362/272
D370,541	S	*	6/1996	Henrici	D26/28
D371,615	S	*	7/1996	Lai	D26/28
D463,048	S	*	9/2002	Scott	D26/28

D464,750	S	*	10/2002	Cooper	D26/28
D466,241	S	*	11/2002	Wakasugi	D26/32
D473,332	S		4/2003	Lam		
D501,939	S	*	2/2005	Jacobs	D26/28
D551,786	S	*	9/2007	Smith	D26/28
D824,052	S	*	7/2018	Conte	D26/28
D825,796	S	*	8/2018	Yan	D26/28
D880,030	S	*	3/2020	McNaughton	D26/34
D890,370	S	*	7/2020	Pan	D26/28
D892,370	S	*	8/2020	Yan	D26/28

* cited by examiner

Primary Examiner — Angela J Lee

(74) *Attorney, Agent, or Firm* — ZANIP

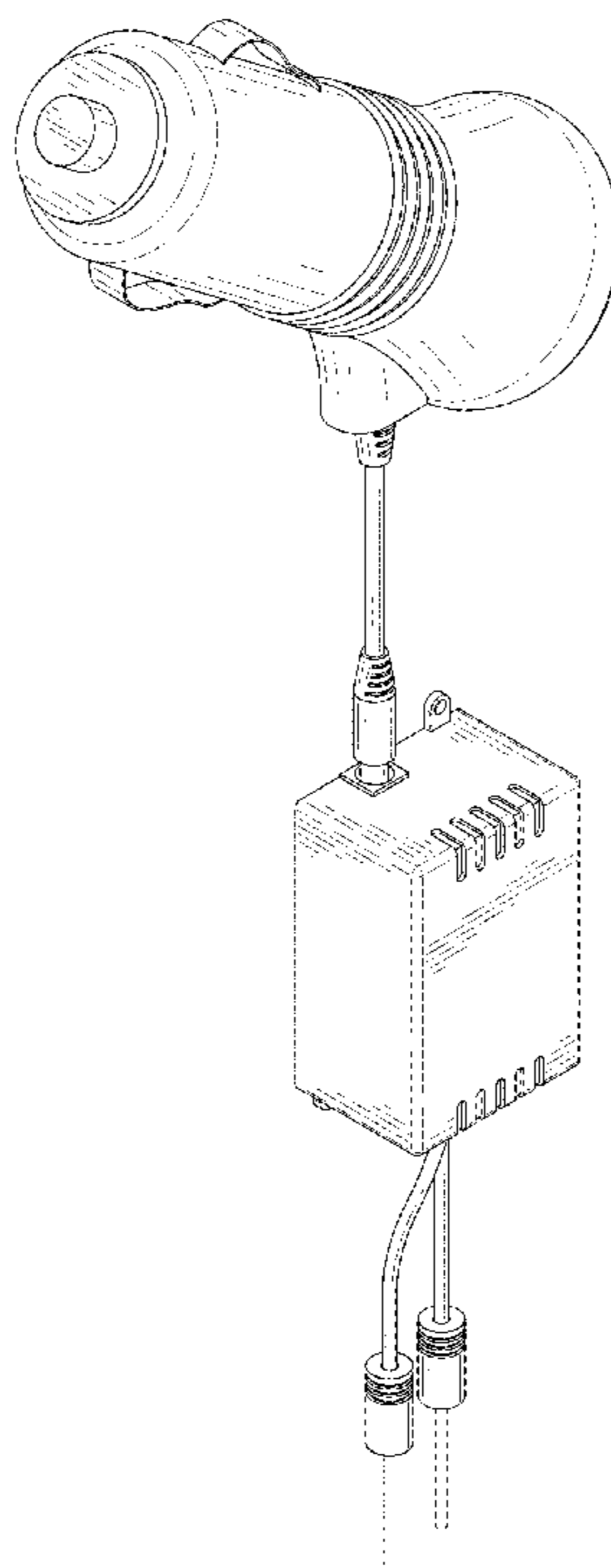
(57) **CLAIM**

The ornamental design for a car center console neon light, as shown and described.

DESCRIPTION

FIG. 1 is a front and top perspective view of a car center console neon light, showing my new design; FIG. 2 is a rear and bottom perspective view thereof; FIG. 3 is a front elevational view thereof; FIG. 4 is a rear elevational view thereof; FIG. 5 is a left side elevational view thereof; FIG. 6 is a right side elevational view thereof; FIG. 7 is a top plan view thereof; FIG. 8 is a bottom plan view thereof; and, FIG. 9 is an enlarged view of a portion indicated in FIG. 2. The dashed broken lines in the figures illustrate portions of the article that form no part of the claimed design. The dash dot dash lines in FIGS. 2 and 9 are for the purpose of depicting the cut line of the enlarged view and form no part of the claim.

1 Claim, 9 Drawing Sheets



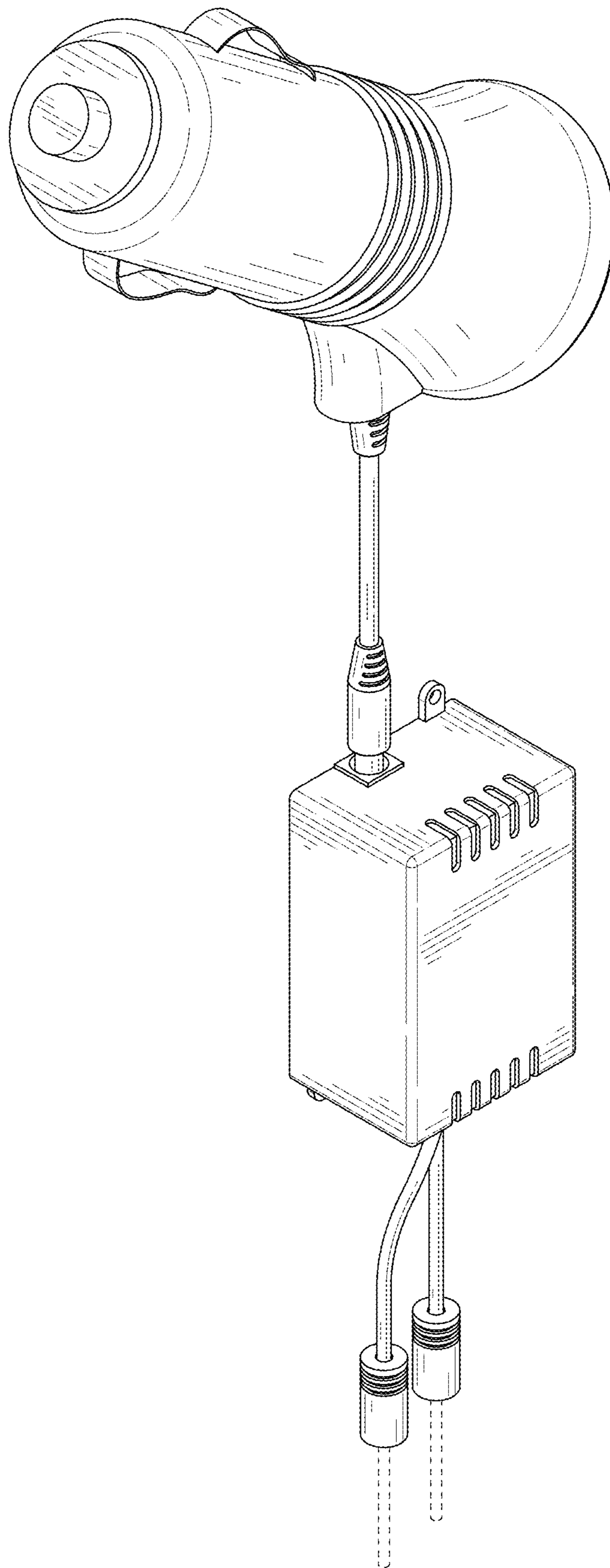


FIG. 1

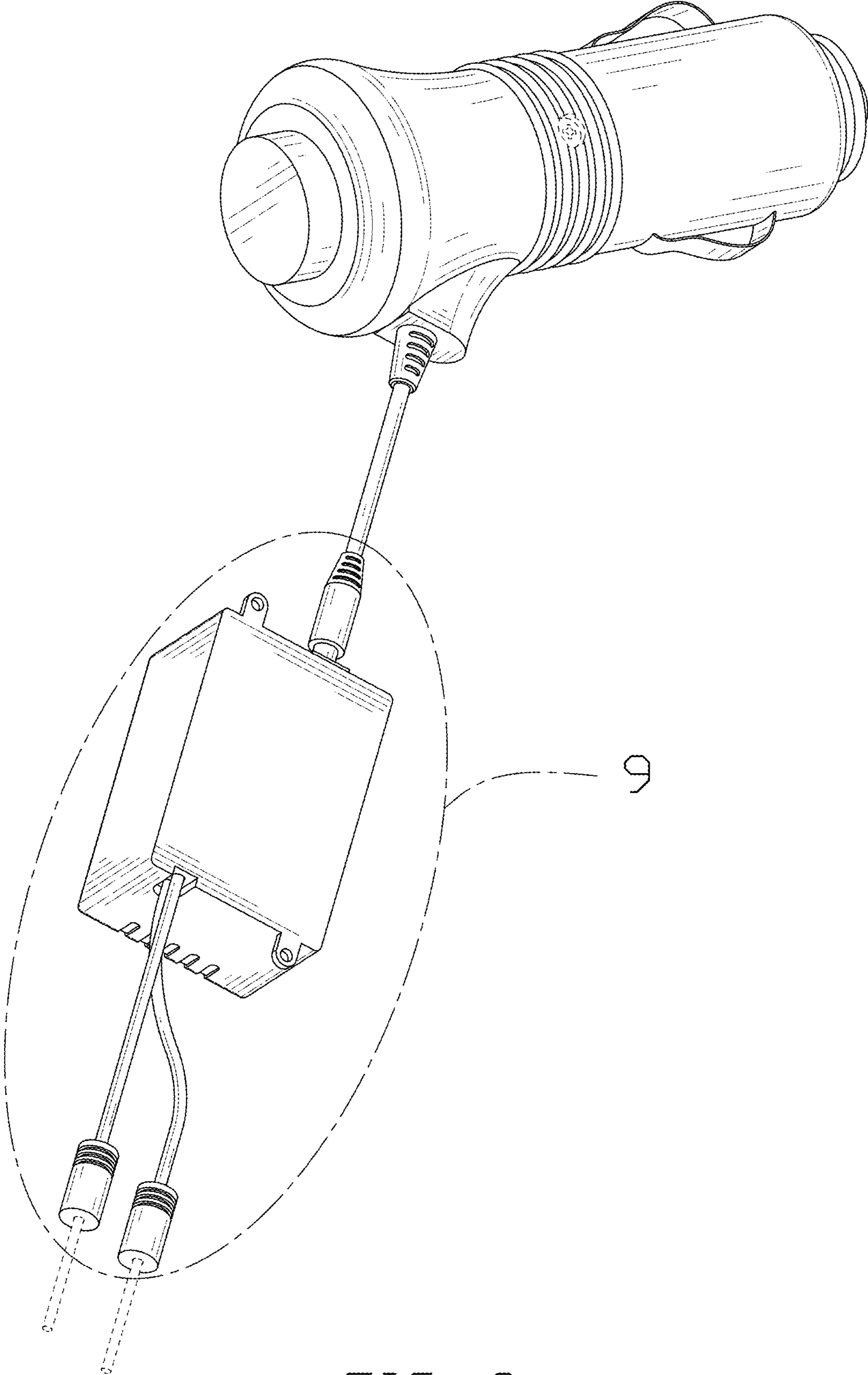


FIG. 2

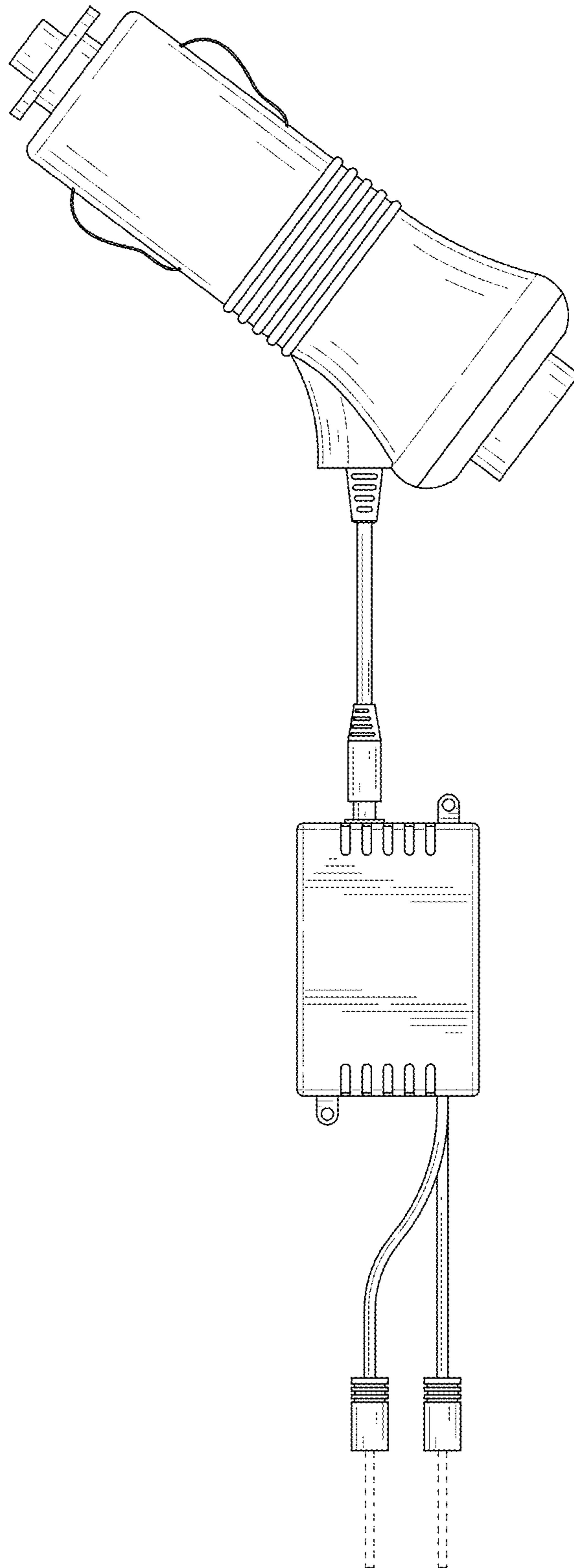


FIG. 3

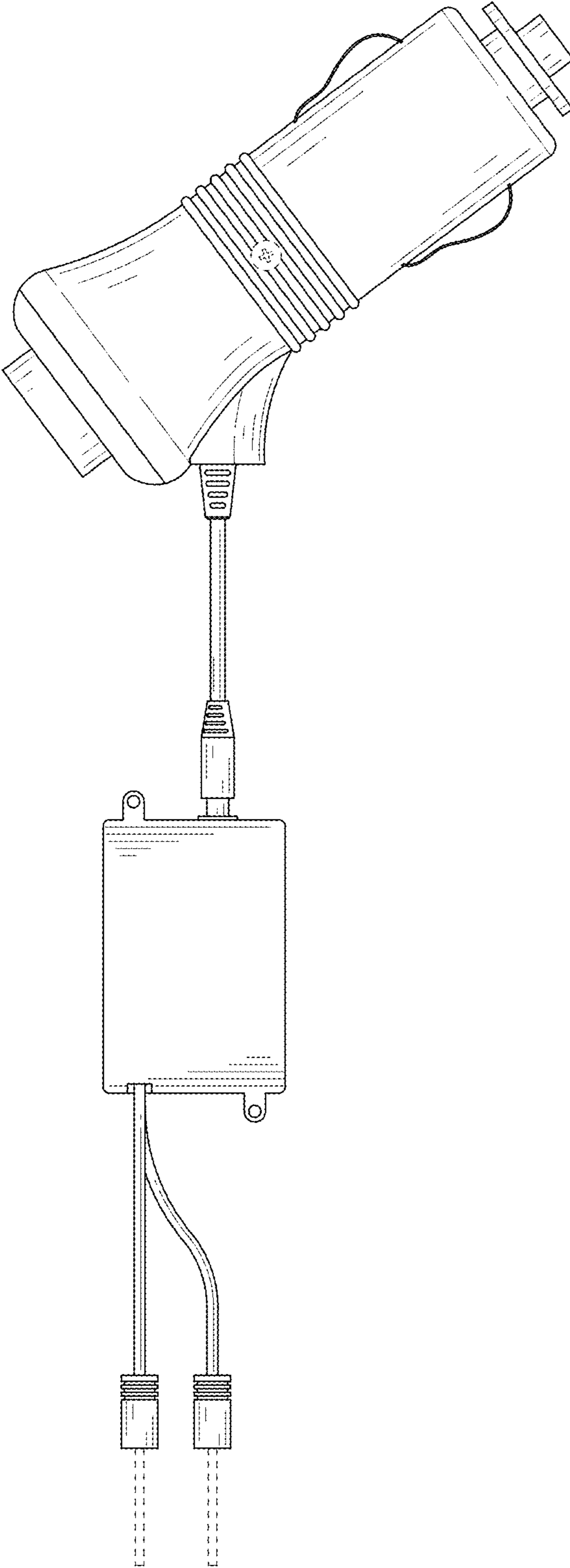


FIG. 4

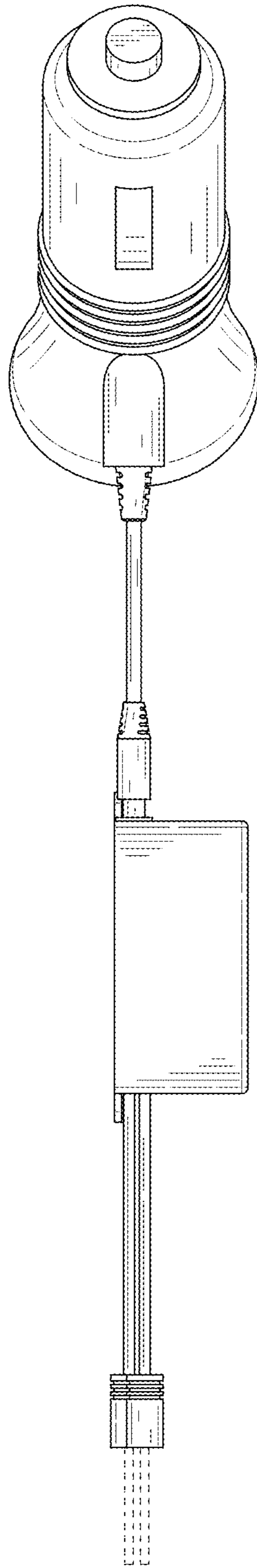


FIG. 5

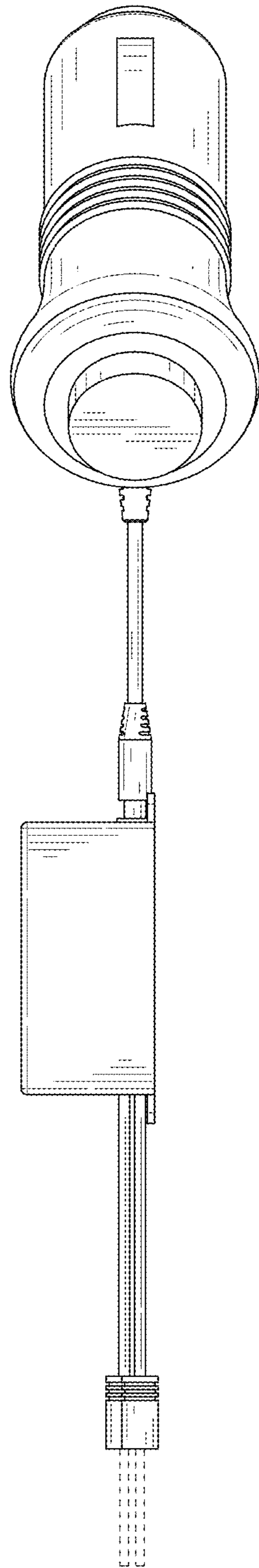


FIG. 6

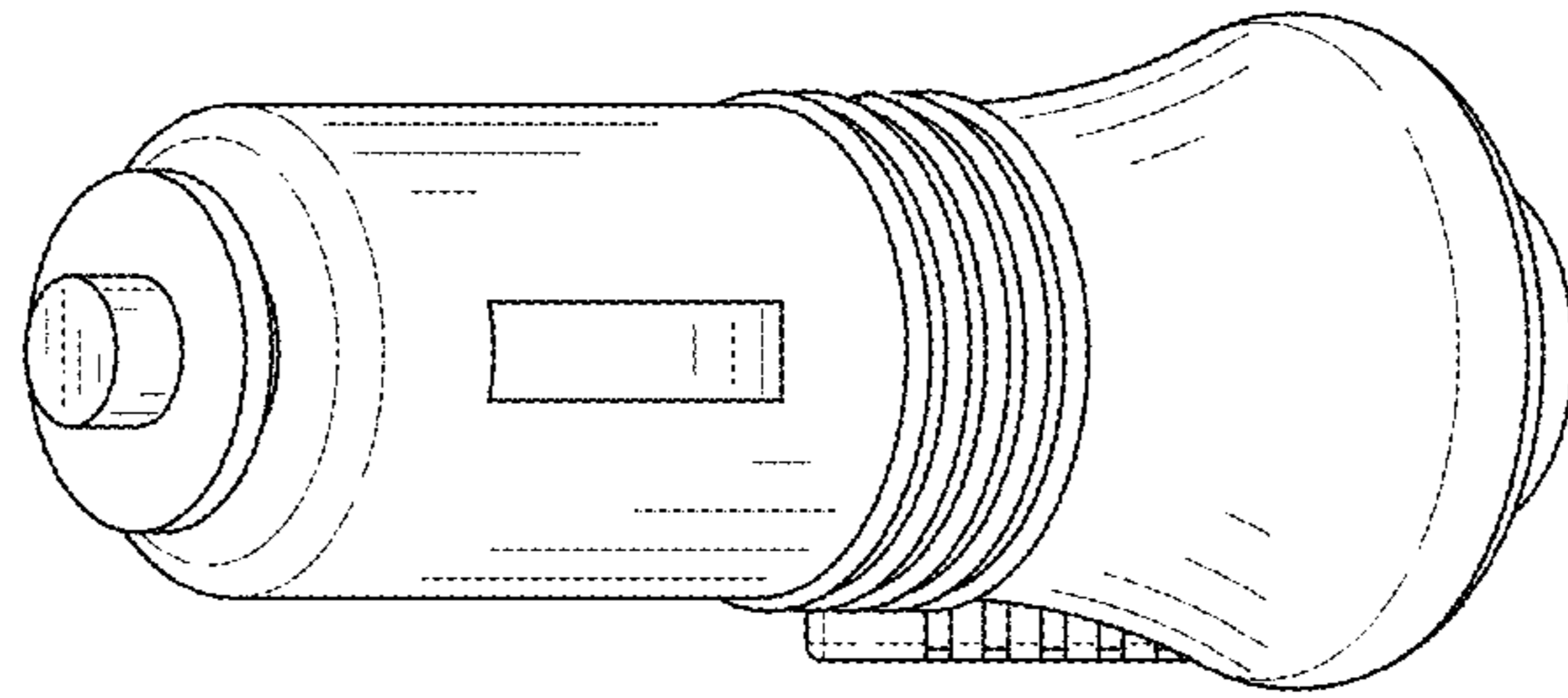


FIG. 7

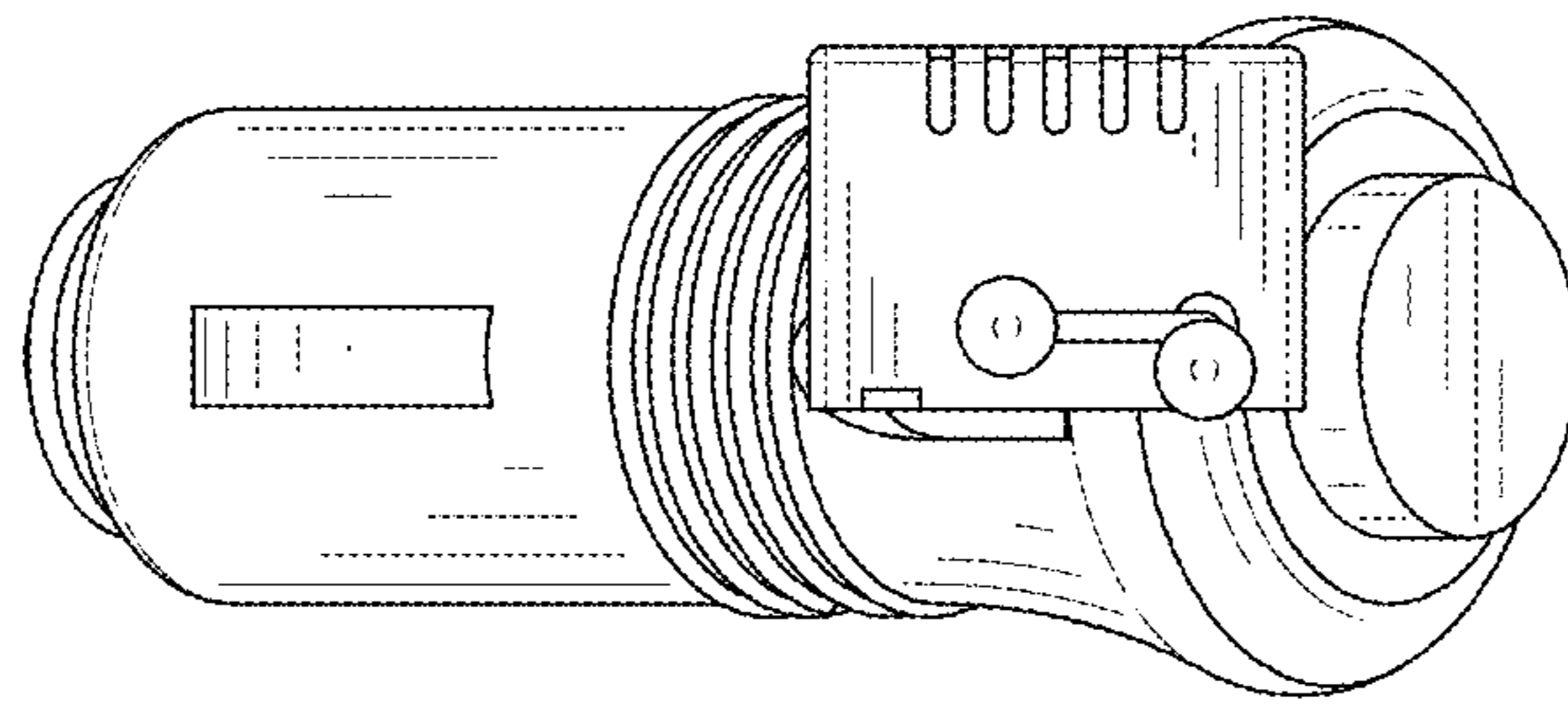


FIG. 8

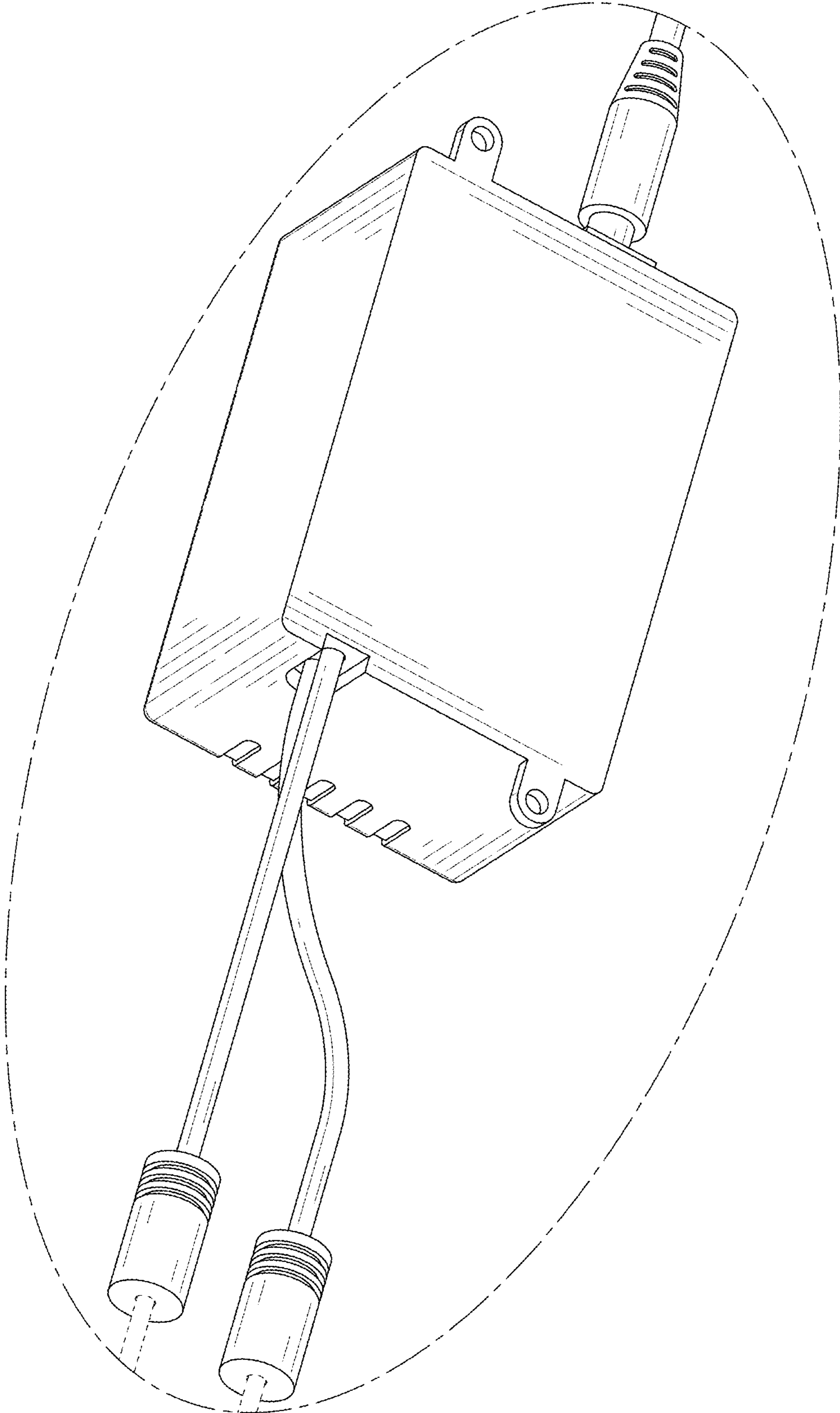


FIG. 9