



US00D914927S

(12) **United States Design Patent**
Liu

(10) **Patent No.:** **US D914,927 S**

(45) **Date of Patent:** **** Mar. 30, 2021**

(54) **STRING LIGHTS**

(71) Applicant: **Yanling Liu**, Ganzhou (CN)

(72) Inventor: **Yanling Liu**, Ganzhou (CN)

(**) Term: **15 Years**

(21) Appl. No.: **29/747,691**

(22) Filed: **Aug. 25, 2020**

(51) **LOC (13) Cl.** **26-02**

(52) **U.S. Cl.**
USPC **D26/25**

(58) **Field of Classification Search**
USPC D26/25
CPC F21S 4/00; F21S 4/001; F21S 4/003; F21S
4/005; F21W 2121/04
See application file for complete search history.

(56) **References Cited**

U.S. PATENT DOCUMENTS

D345,430 S *	3/1994	Ridgeway	D26/25
D351,915 S *	10/1994	Hermanson	D26/25
D874,692 S *	2/2020	Dai	D26/25
D880,022 S *	3/2020	Gong	D26/25
D885,617 S *	5/2020	Li	D26/25
D889,696 S	7/2020	Cao		

D908,255 S *	1/2021	Zhou	D26/25
D908,256 S *	1/2021	Zhou	D26/25
D908,933 S *	1/2021	Wu	D26/25

* cited by examiner

Primary Examiner — Brian N. Vinson

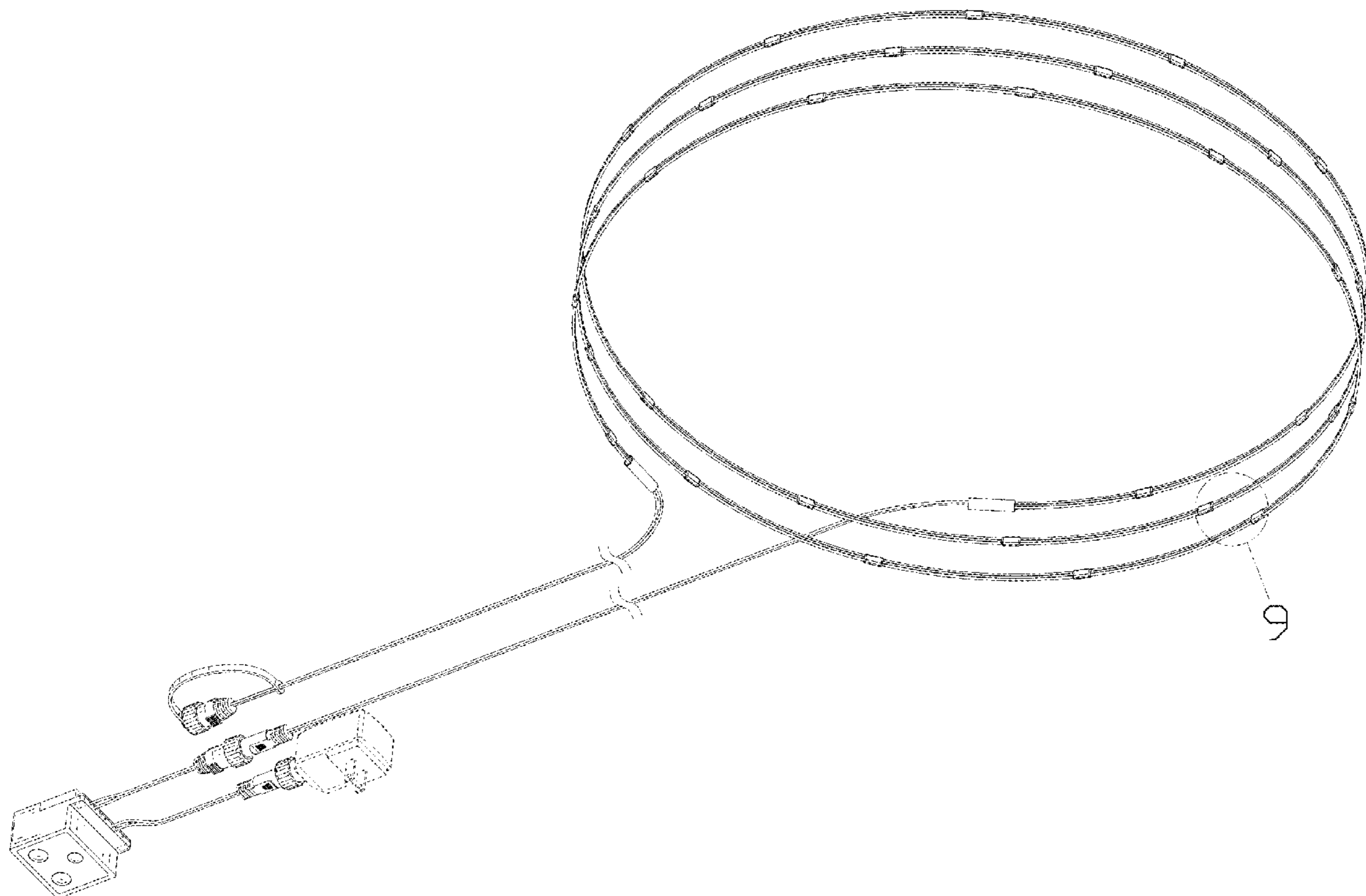
(57) **CLAIM**

The ornamental design for string lights, as shown and described.

DESCRIPTION

FIG. 1 is a perspective view of string lights showing my new design;
 FIG. 2 is another perspective view thereof;
 FIG. 3 is a front elevational view thereof;
 FIG. 4 is a rear elevational view thereof;
 FIG. 5 is a left side elevational view thereof;
 FIG. 6 is a right side elevational view thereof;
 FIG. 7 is a top plan view thereof;
 FIG. 8 is a bottom plan view thereof; and,
 FIG. 9 is an enlarged view of portion 9 shown in FIG. 1.
 The string lights are shown with a symbolic break in its length and the appearance of any portion of the string lights between the break lines form no part of the claimed design. The broken lines in the drawings depict portions of the string lights that form no part of the claimed design.

1 Claim, 9 Drawing Sheets



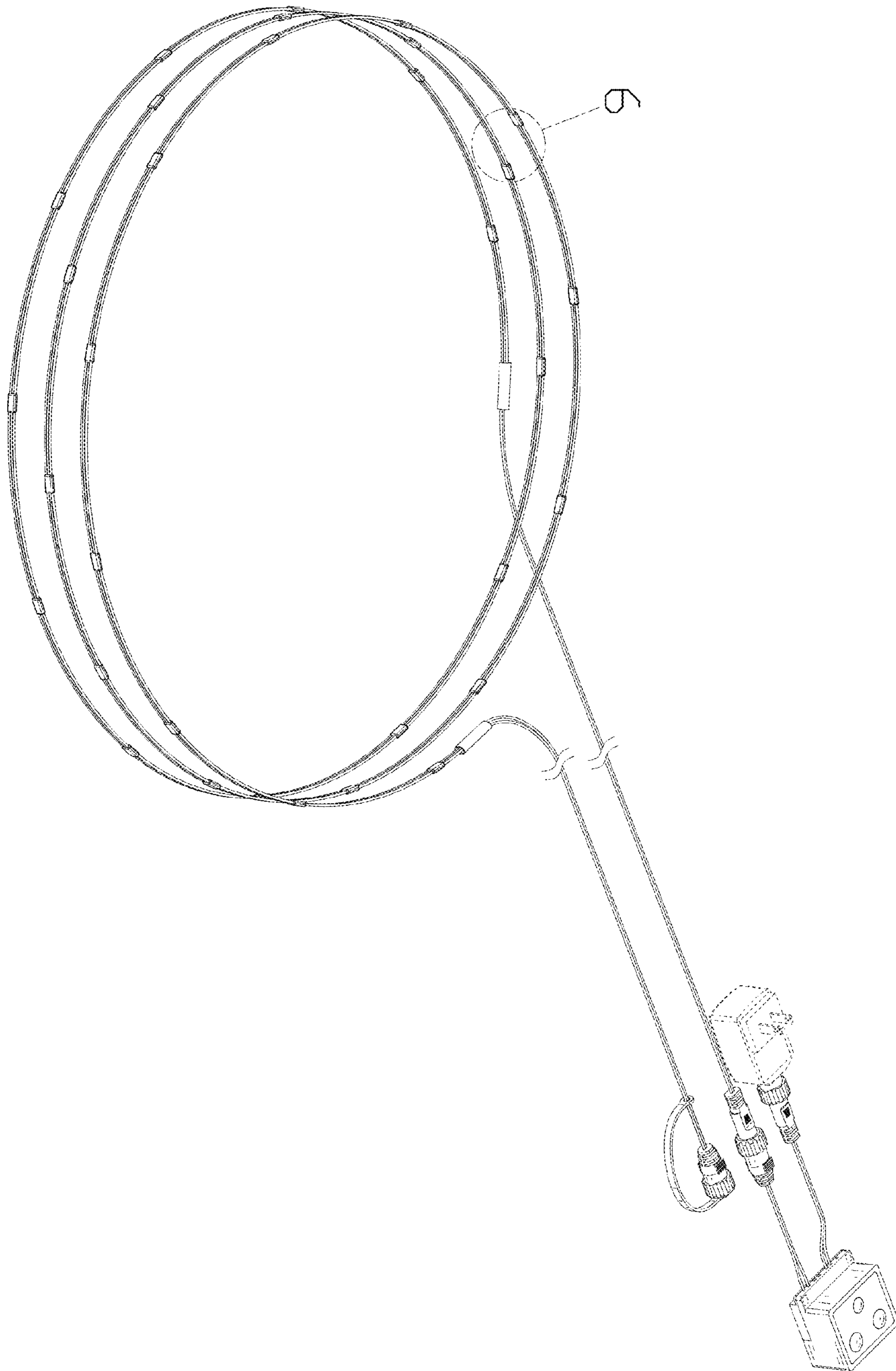


FIG. 1

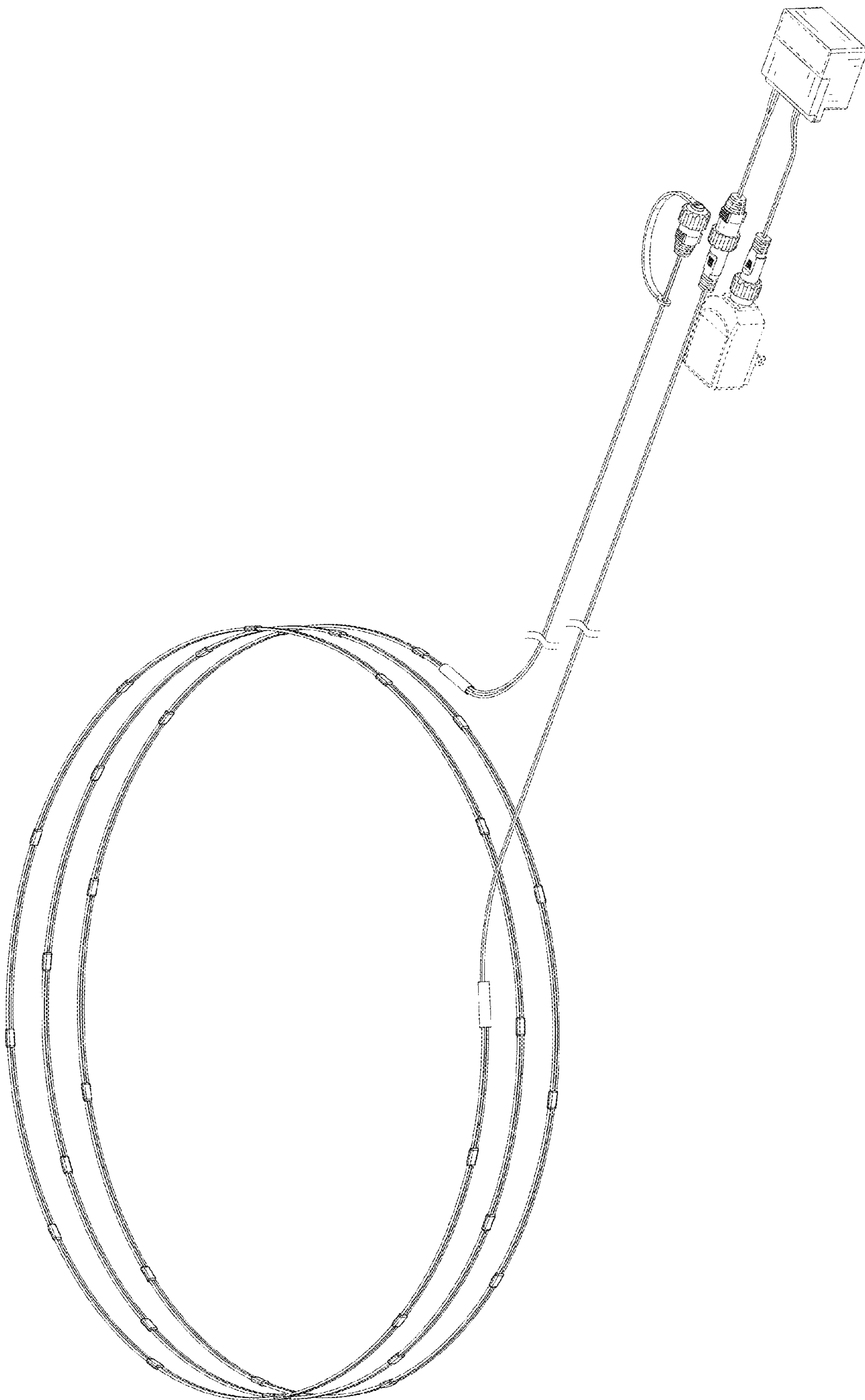


FIG. 2

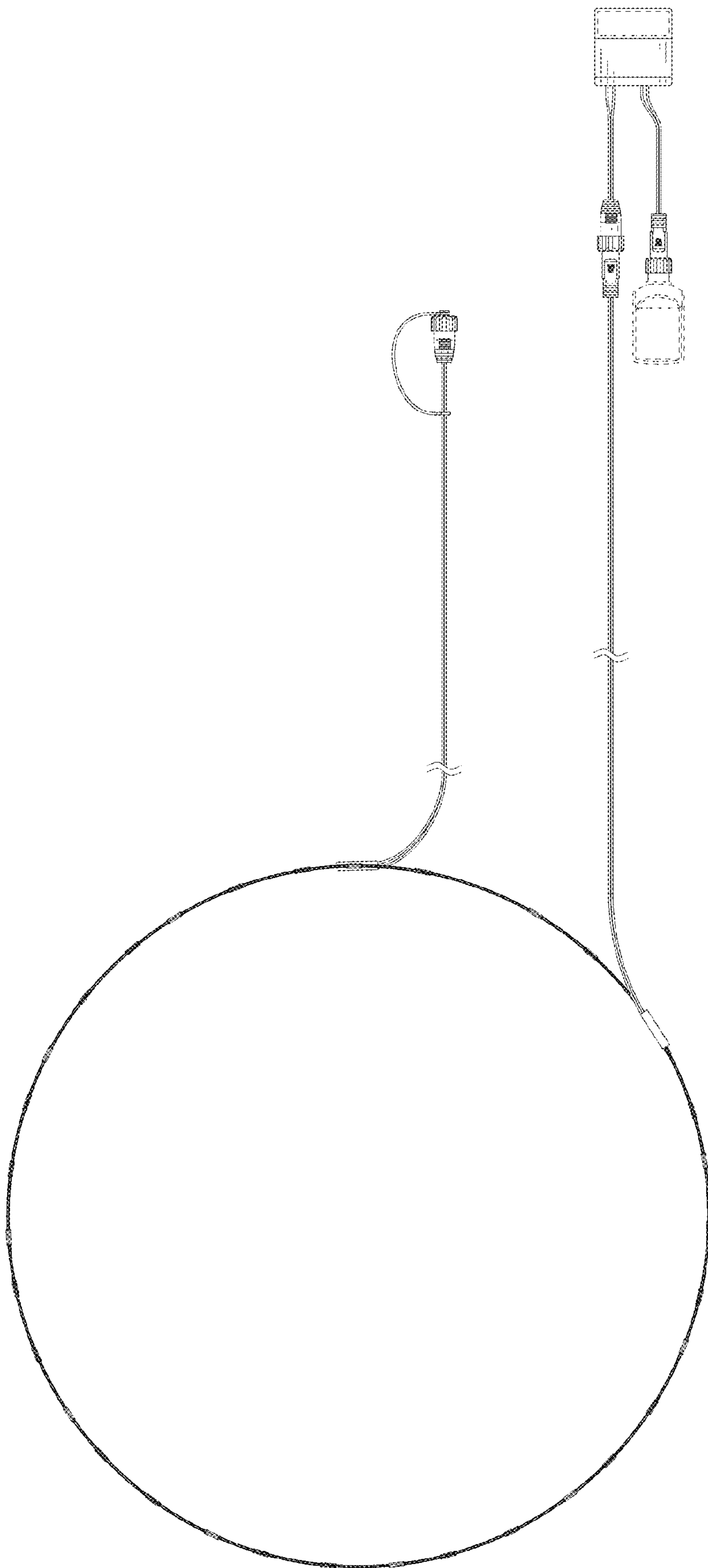


FIG. 3

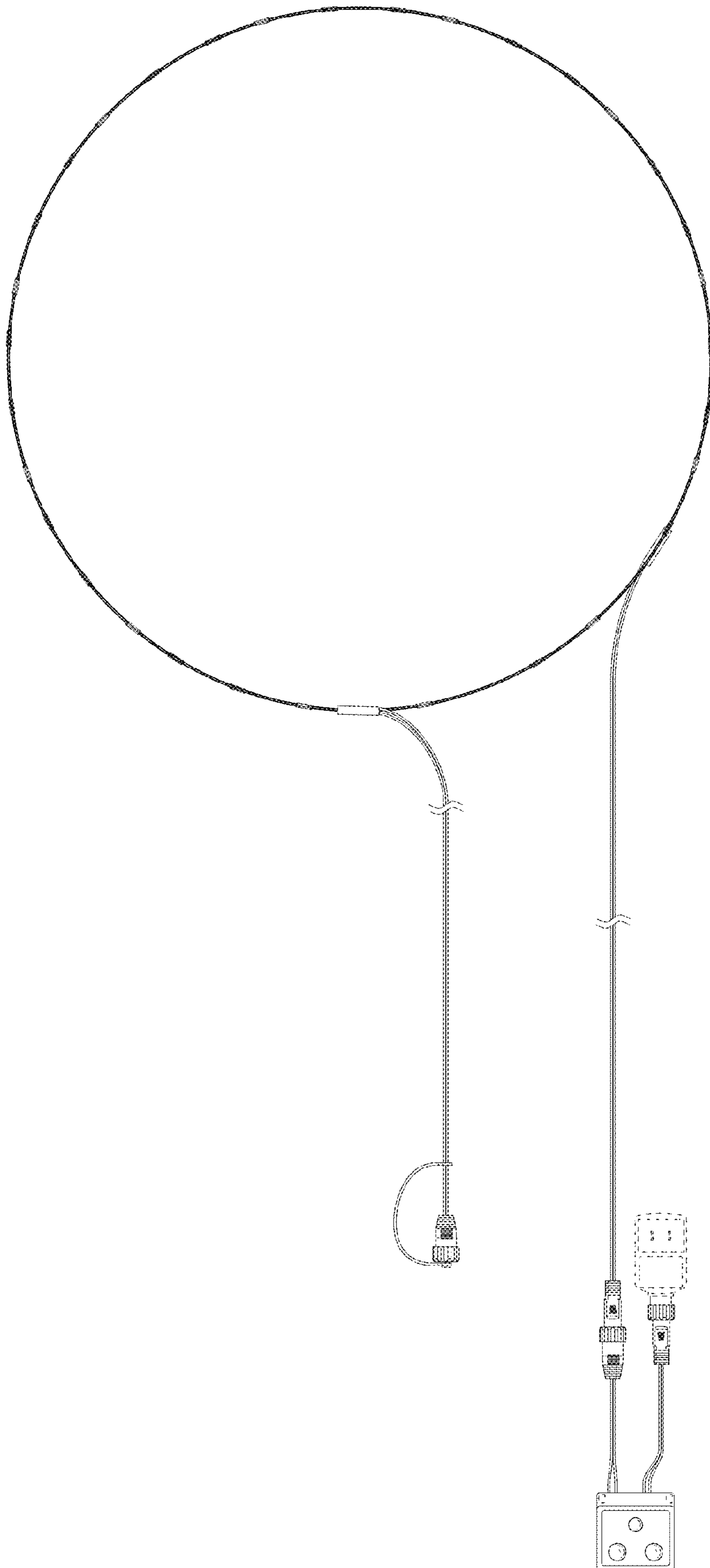


FIG. 4

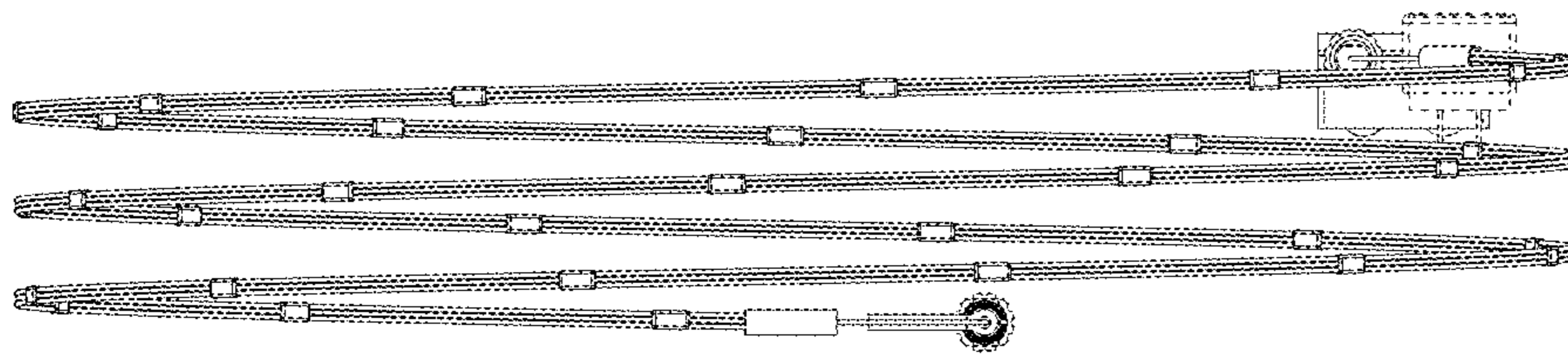


FIG. 5

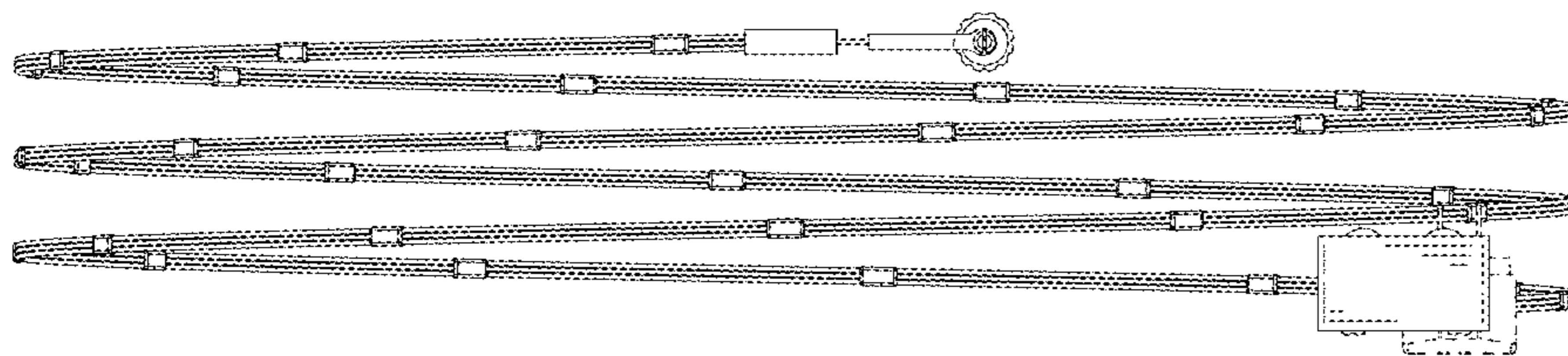


FIG. 6

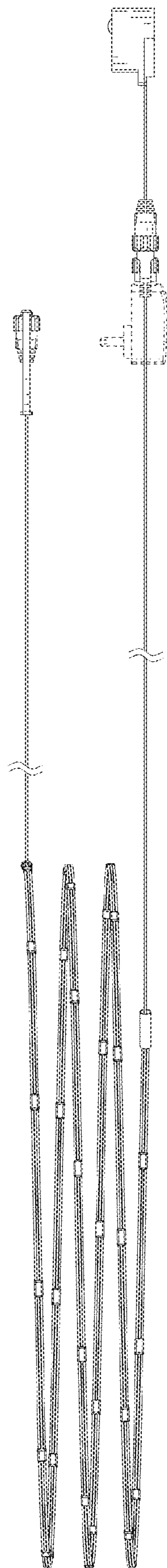


FIG. 7

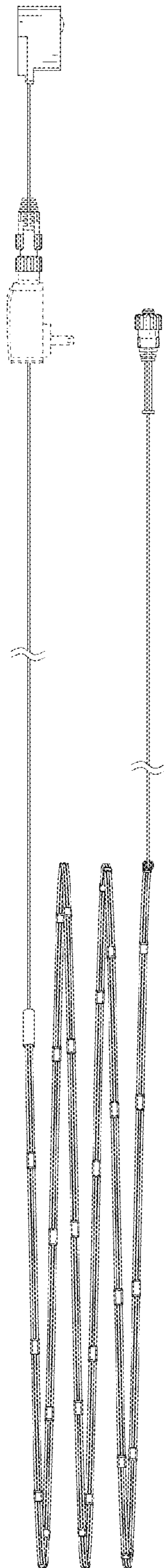


FIG. 8

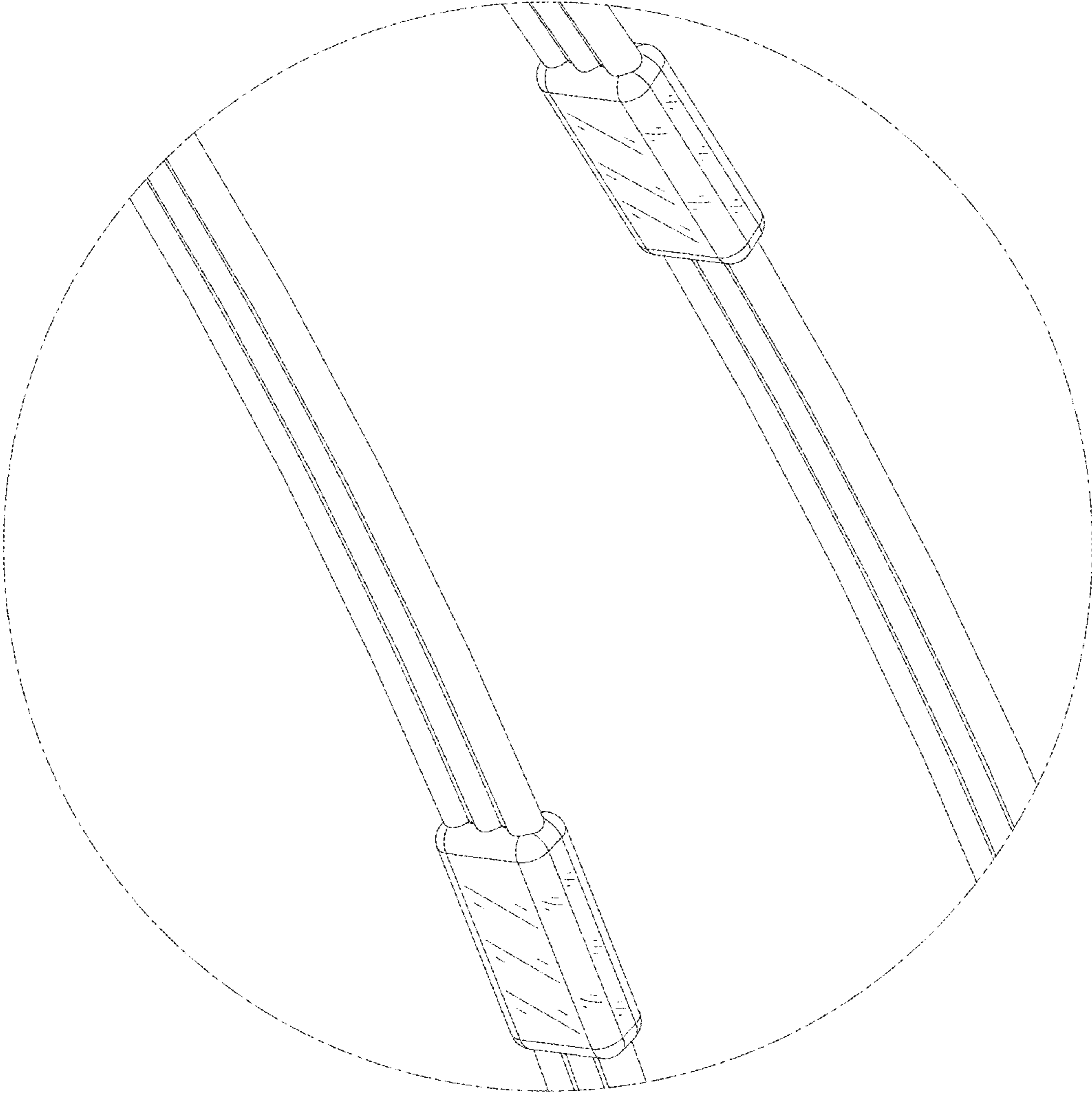


FIG. 9