



US00D914926S

(12) **United States Design Patent**
Harris

(10) **Patent No.:** **US D914,926 S**

(45) **Date of Patent:** **** Mar. 30, 2021**

(54) **CANDLESTICK**

(71) Applicant: **Geoffrey Herbert Harris**, Chicago, IL
(US)

(72) Inventor: **Geoffrey Herbert Harris**, Chicago, IL
(US)

(**) Term: **15 Years**

(21) Appl. No.: **29/664,325**

(22) Filed: **Sep. 24, 2018**

(51) **LOC (13) Cl.** **26-01**

(52) **U.S. Cl.**
USPC **D26/9**

(58) **Field of Classification Search**
USPC D26/6-23; D23/266, 267
CPC F21V 35/00; A47G 19/2255; F23D 3/16
See application file for complete search history.

(56) **References Cited**

U.S. PATENT DOCUMENTS

D156,499 S *	12/1949	Friedman	D26/22
D172,699 S *	7/1954	Brenner	D26/22
D247,456 S *	3/1978	Nelson	D21/519
D247,586 S *	3/1978	Loewenton	D26/22
D253,794 S *	12/1979	Hilgeman	D26/22
D253,795 S *	12/1979	Hilgeman	D26/22
D267,981 S *	2/1983	Montague, Jr.	D26/96
D292,323 S *	10/1987	Vandrilla	D26/96
D389,946 S *	1/1998	Hutton	D26/110
5,816,695 A *	10/1998	Lin	F21S 6/001 362/392
D463,060 S *	9/2002	Stokes	D26/110
D471,310 S *	3/2003	Stokes	D26/110
D493,693 S *	8/2004	Lord	D8/352
D527,800 S *	9/2006	Schaffeld	D23/249
D542,430 S *	5/2007	Keith	D26/22
D543,754 S *	6/2007	Bauer	D6/550

D621,571 S *	8/2010	Cox	D99/5
D648,424 S *	11/2011	Gilbert	137/359
D710,039 S *	7/2014	Schwenk	D26/9
D740,462 S *	10/2015	Schwenk	D26/9
D756,747 S *	5/2016	Wu	D8/352
D774,218 S *	12/2016	Imperial	D26/9
D793,614 S *	8/2017	Patton	D26/96
D851,812 S *	6/2019	Clarke	D26/96

* cited by examiner

Primary Examiner — Brandon M Rosati

Assistant Examiner — Calvin E Vansant

(74) *Attorney, Agent, or Firm* — Banner & Witcoff, Ltd.

(57) **CLAIM**

The ornamental design for a candlestick, as shown and described.

DESCRIPTION

The patent or application file contains at least one drawing executed in color. Copies of this patent or patent application publication with color drawing(s) will be provided by the Office upon request and payment of the necessary fee.

FIG. 1 is a front perspective photographic view of a candlestick showing my new design;

FIG. 2 is a rear perspective photographic view thereof;

FIG. 3 is a front photographic view thereof;

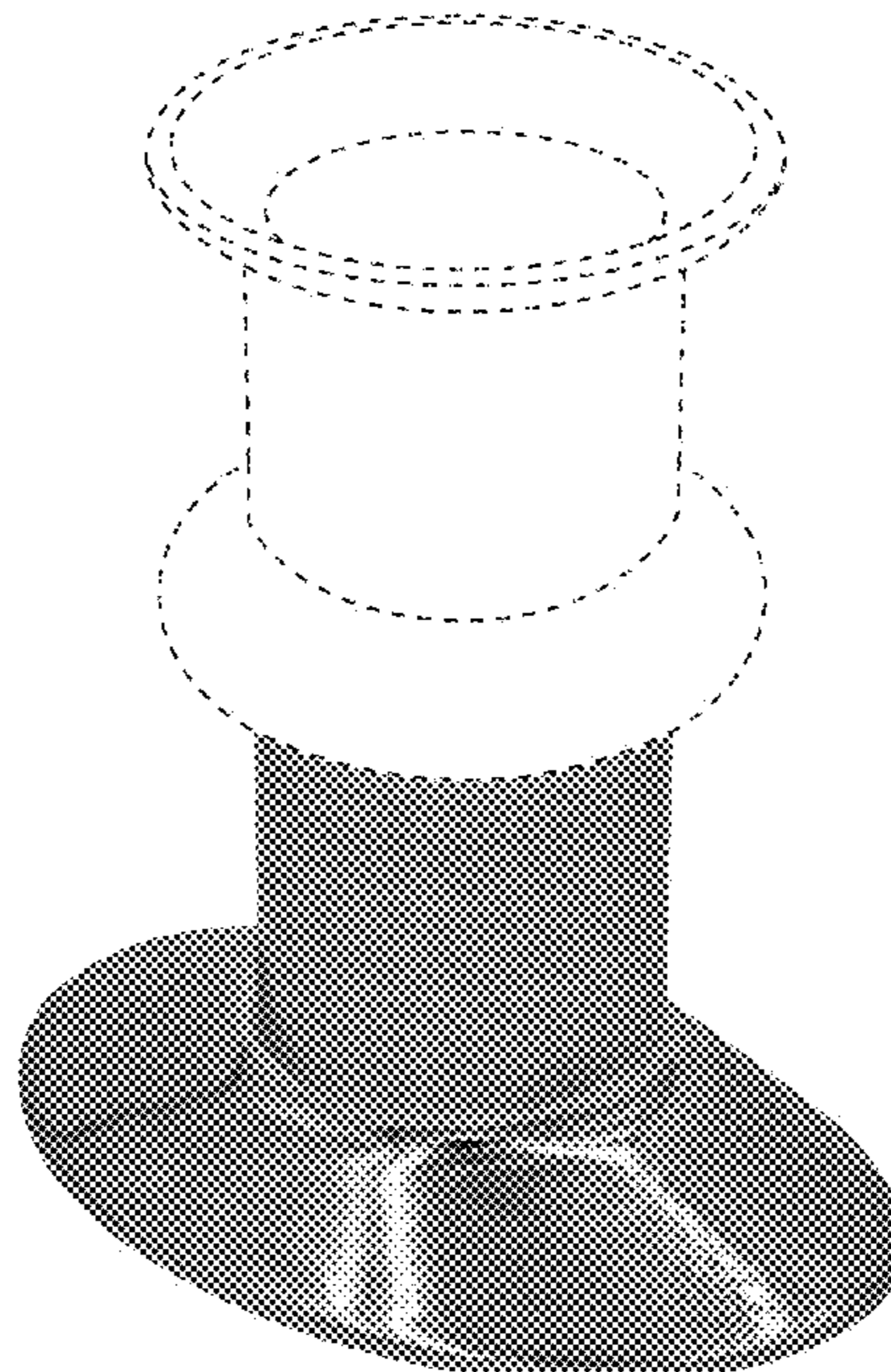
FIG. 4 is a rear photographic view thereof;

FIG. 5 is a left side photographic view thereof; and,

FIG. 6 is a right side photographic view thereof.

The broken line adjacent the photographic area represents a boundary of the design and forms no part thereof. The broken lines form no part of the claimed design.

1 Claim, 6 Drawing Sheets
(6 of 6 Drawing Sheet(s) Filed in Color)



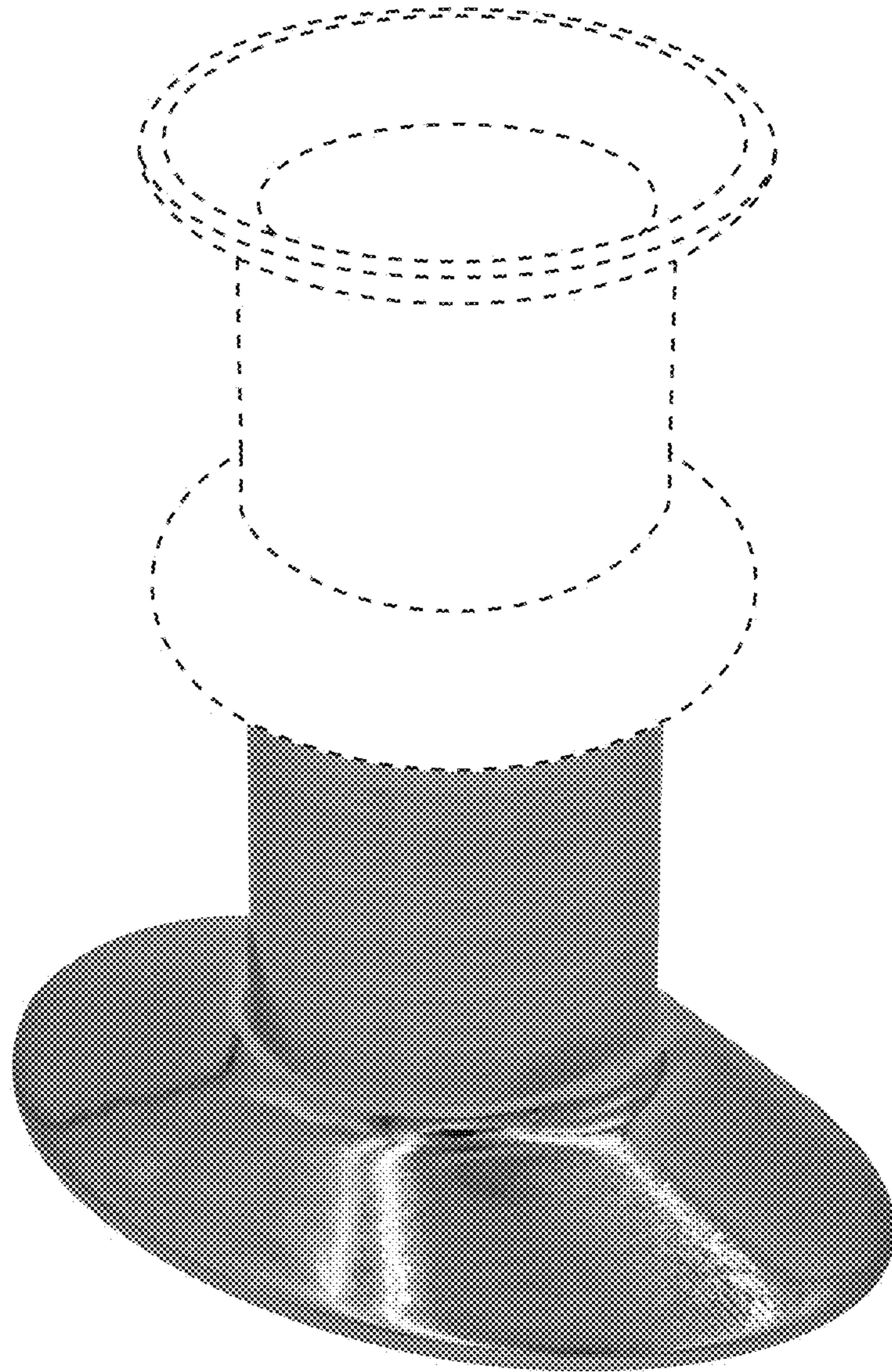


FIG. 1

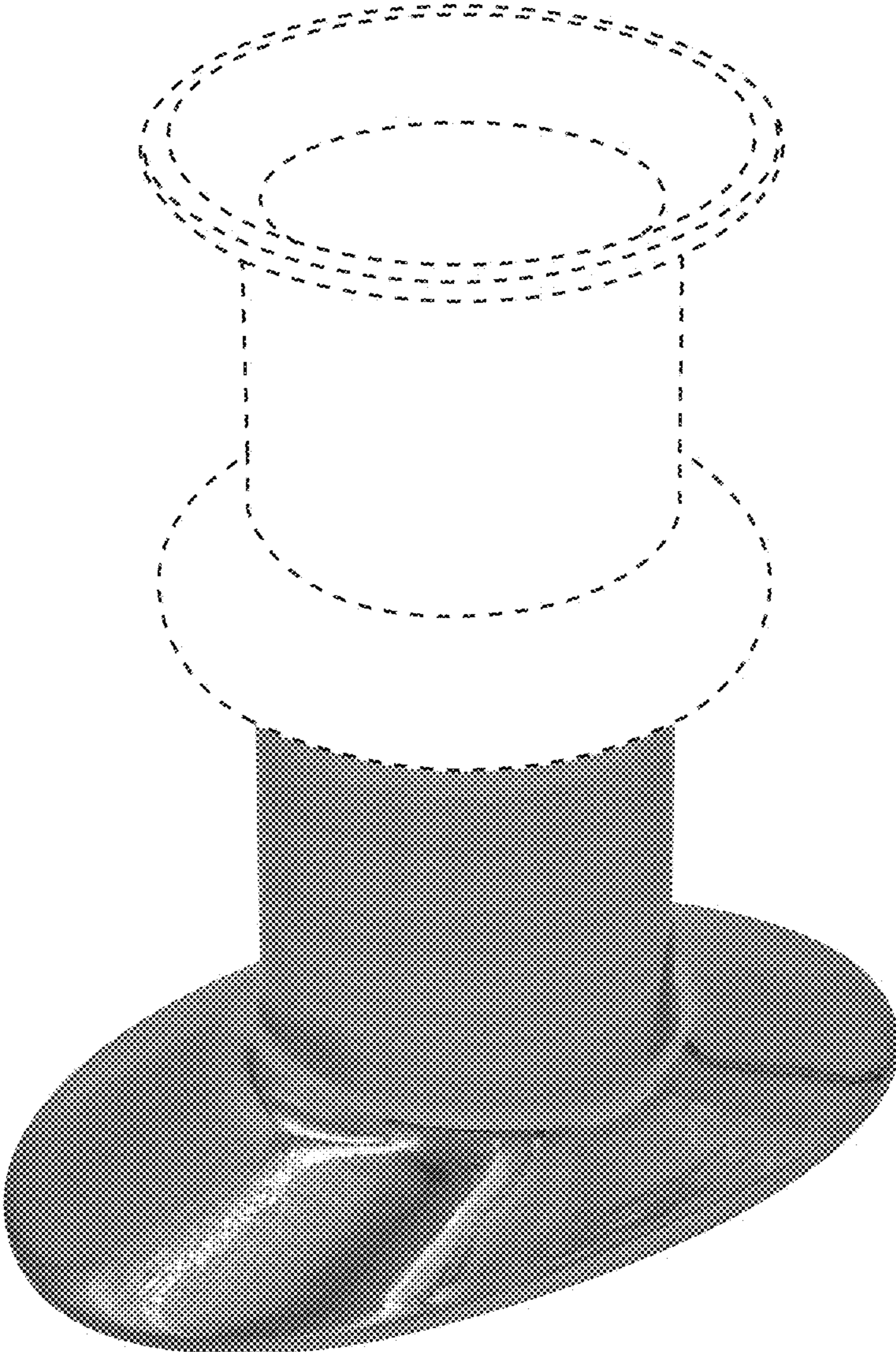


FIG. 2

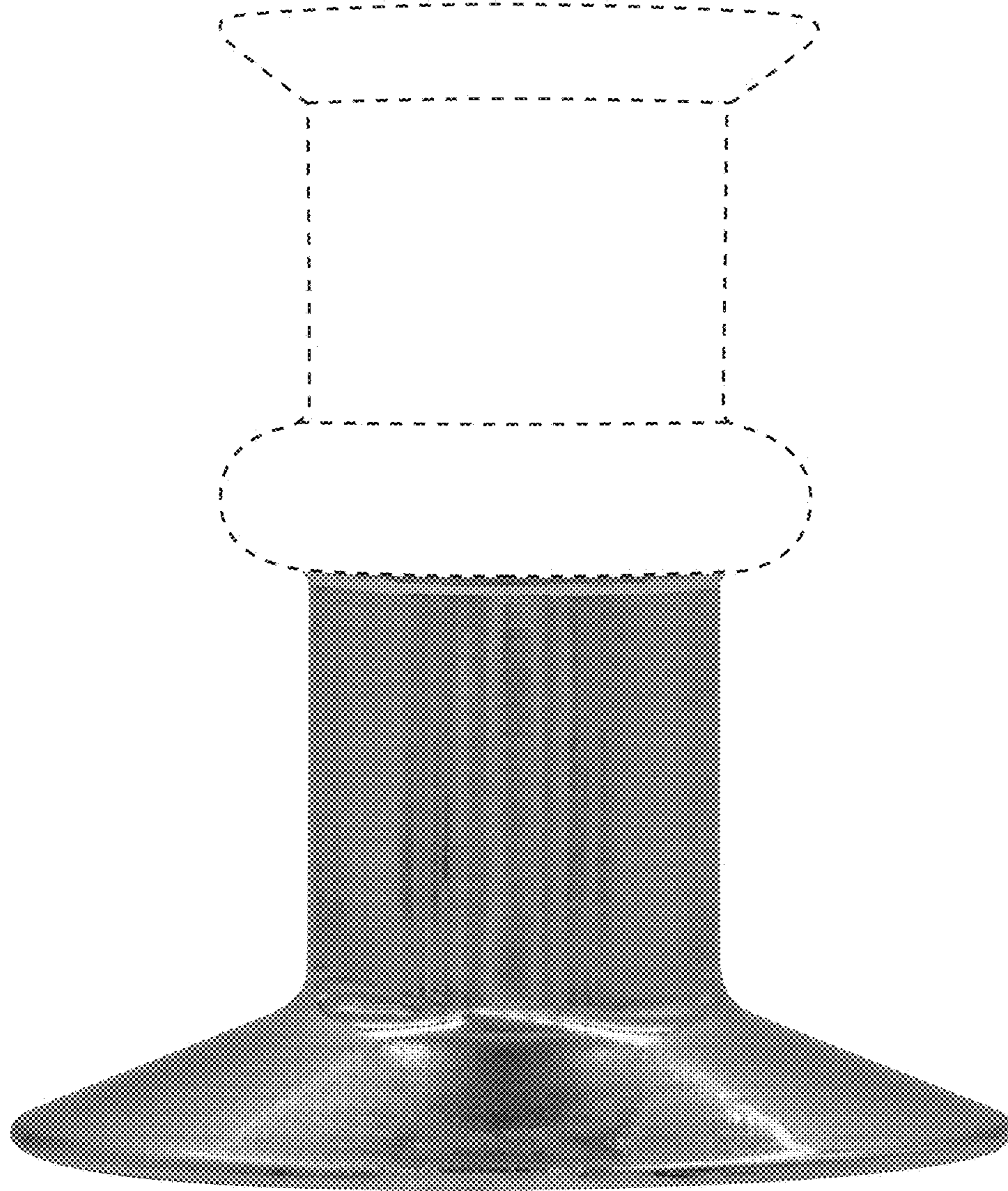


FIG. 3

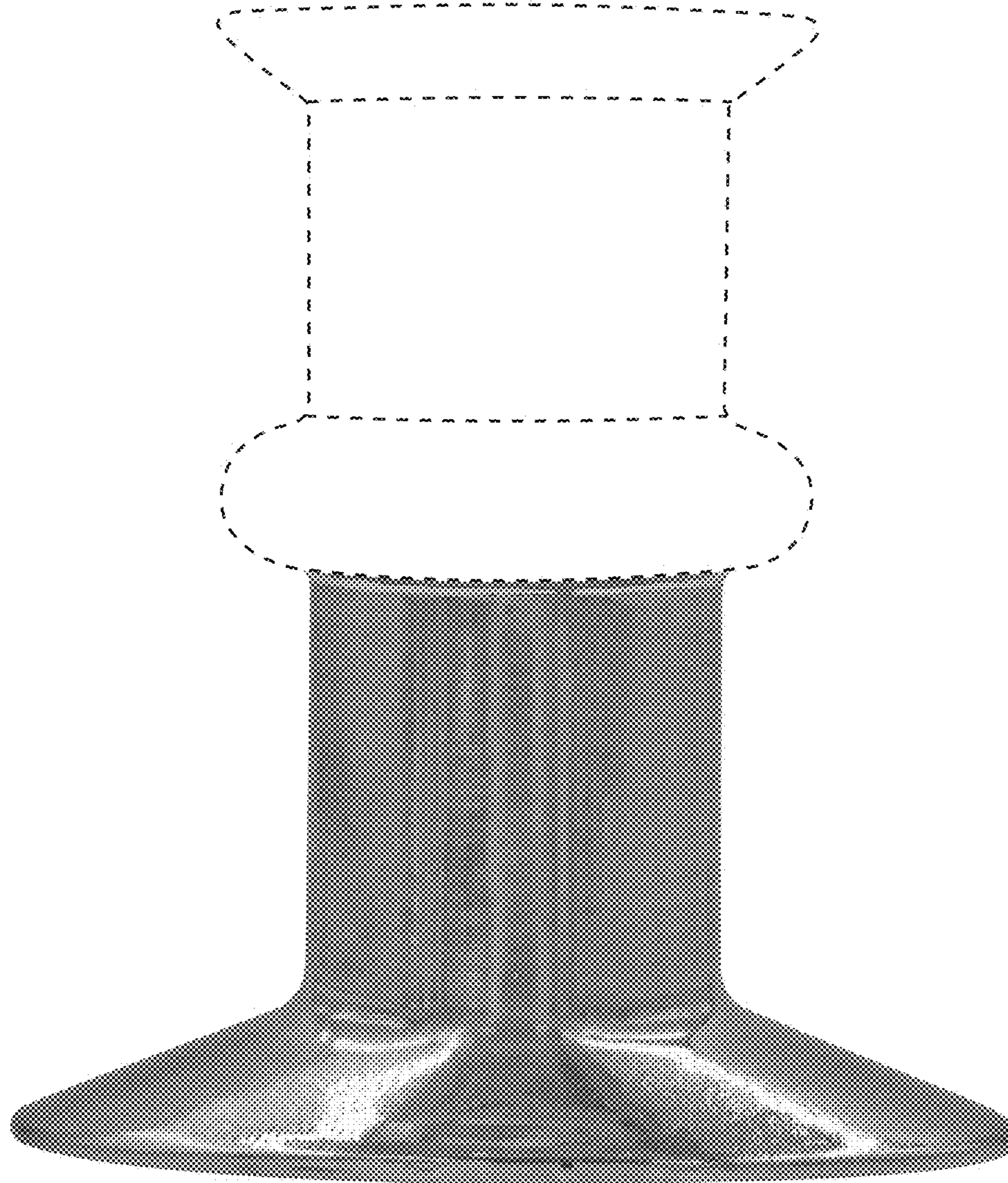


FIG. 4

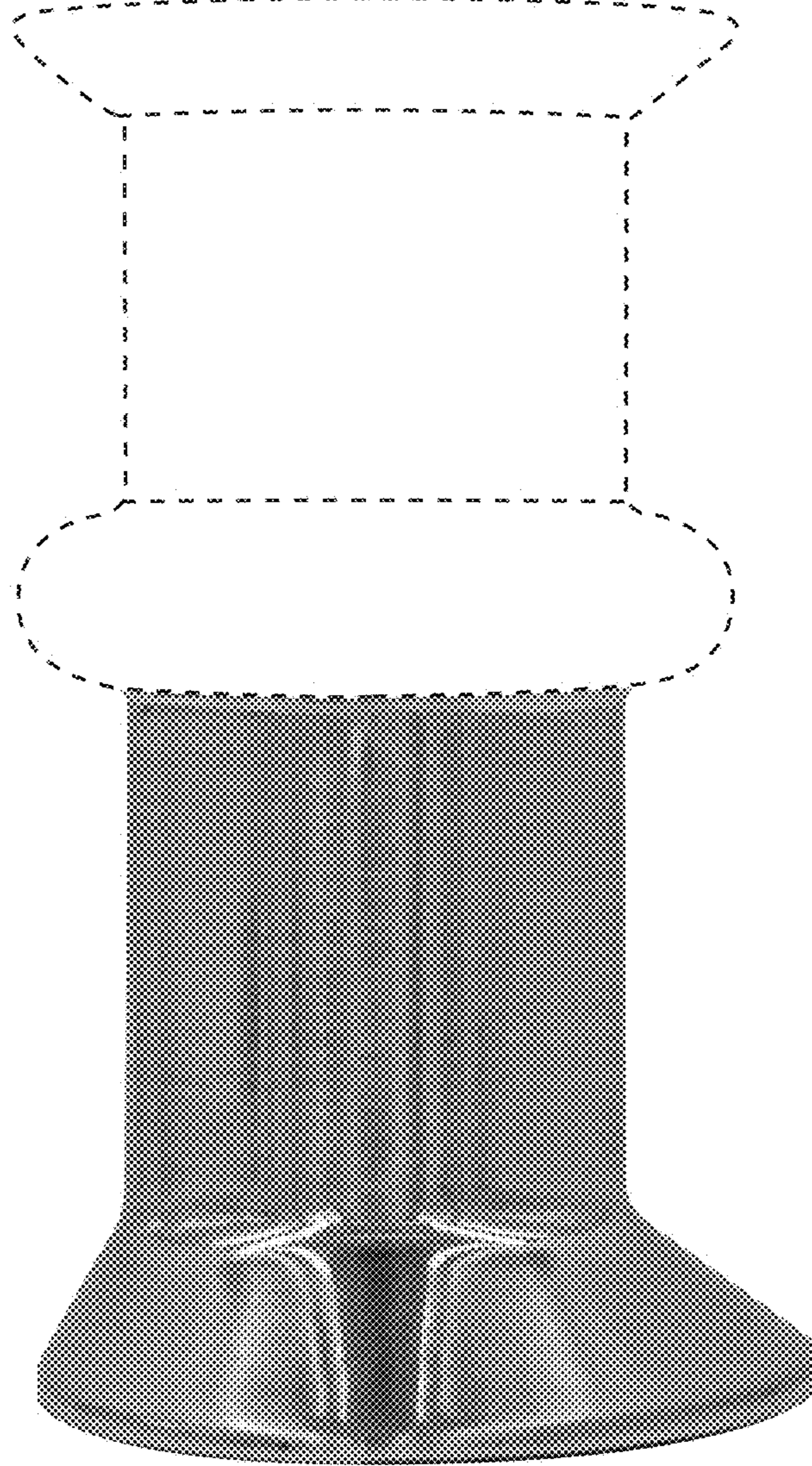


FIG. 5

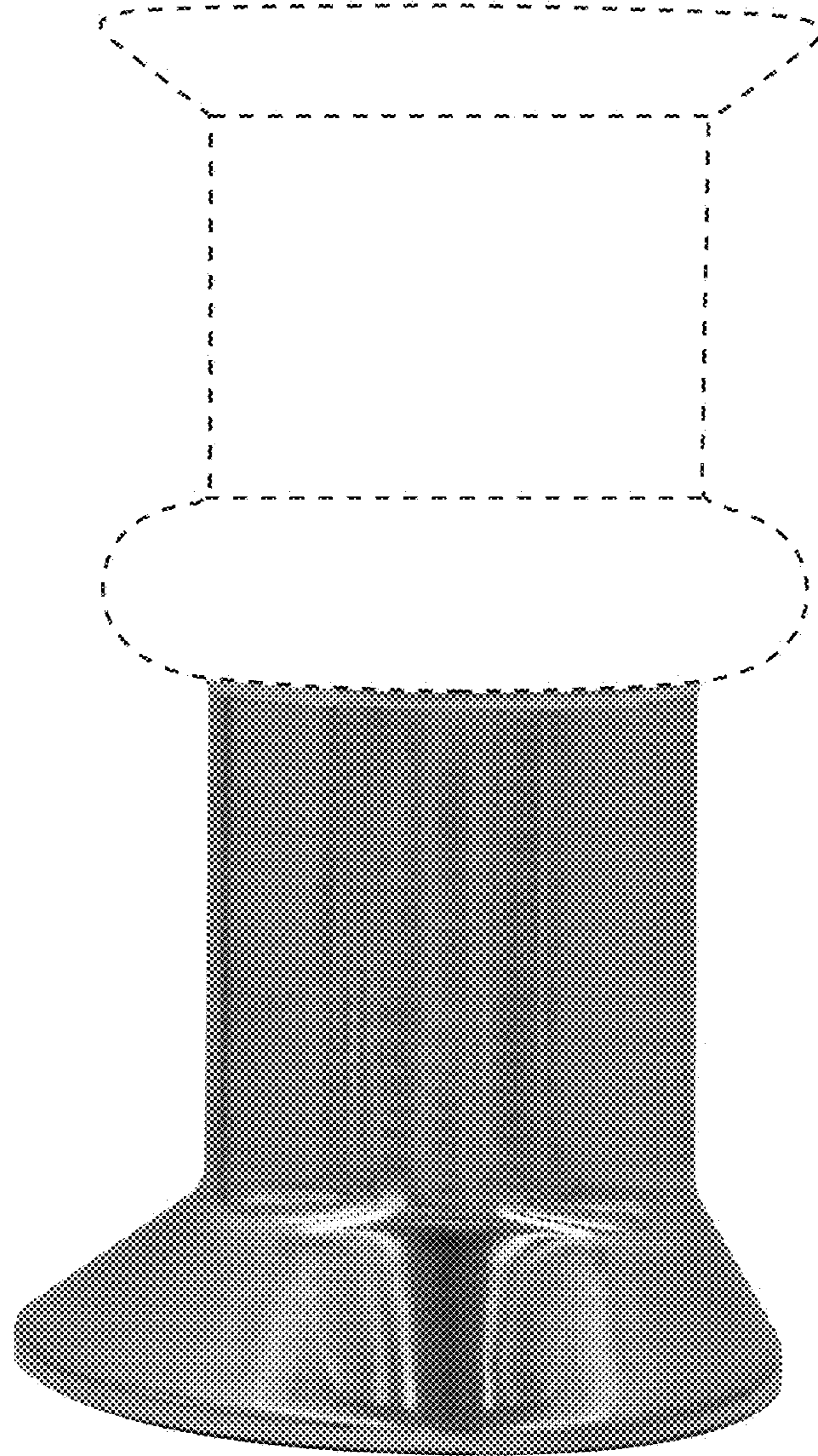


FIG. 6