



US00D914916S

(12) **United States Design Patent**
McDonald et al.

(10) **Patent No.:** **US D914,916 S**
(45) **Date of Patent:** **** Mar. 30, 2021**

(54) **FACE COVER ASSEMBLY**

DESCRIPTION

- (71) Applicant: **Oldcastle BuildingEnvelope, Inc.**,
Dallas, TX (US)
- (72) Inventors: **Conor McDonald**, Cleveland, OH
(US); **Jeffrey James Phillips**, Grand
Rapids, MI (US); **Kelley Douglass**,
Weston, CT (US)
- (73) Assignee: **Oldcastle BuildingEnvelope, Inc.**,
Dallas, TX (US)
- (**) Term: **15 Years**
- (21) Appl. No.: **29/635,708**
- (22) Filed: **Feb. 1, 2018**
- (51) **LOC (13) Cl.** **25-01**
- (52) **U.S. Cl.**
USPC **D25/125**
- (58) **Field of Classification Search**
USPC D25/119, 123, 125, 141, 142, 58, 48.8
(Continued)

(56) **References Cited**

U.S. PATENT DOCUMENTS

- 3,500,595 A * 3/1970 Bennett E04C 3/30
52/79.13
- D244,500 S * 5/1977 Copeland D25/125
(Continued)

Primary Examiner — Steven J Czyn

(74) *Attorney, Agent, or Firm* — Kilpatrick Townsend &
Stockton LLP

(57) **CLAIM**

The ornamental design for a face cover assembly, as shown
and described.

FIG. 1 is a front perspective view of a face cover assembly with top cover and two identical side covers on a wall support, with the wall support being shown in environmental lines.

FIG. 2 is a right side view of the face cover assembly of FIG. 1, with the left side being a mirror image thereof.

FIG. 3 is a front perspective view of one of the two identical side covers.

FIG. 4 is a rear perspective view of one of the two identical side covers.

FIG. 5 is a front view of one of the two identical side covers.

FIG. 6 is a rear view of one of the two identical side covers.

FIG. 7 is a right side view of one of the two identical side covers, with the left side being a mirror image thereof.

FIG. 8 is an enlarged view of the encircled area seen in FIG. 7 of a portion of the one of the two identical side covers.

FIG. 9 is a front perspective view of the top cover.

FIG. 10 is a rear perspective view of the top cover.

FIG. 11 is a top view of the top cover.

FIG. 12 is a rear view of the top cover.

FIG. 13 is a right side view of the top cover, with the left side being a mirror image thereof; and,

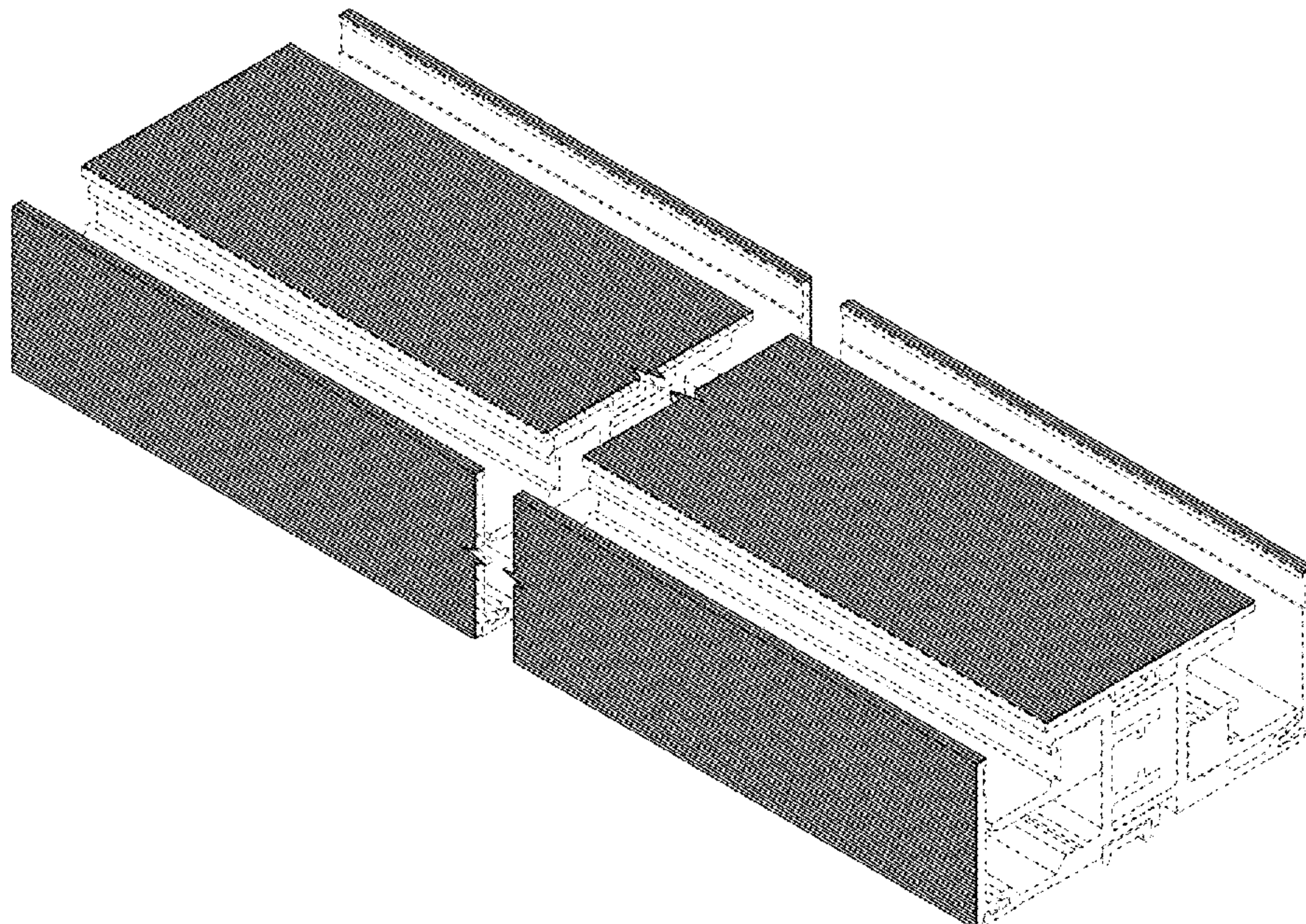
FIG. 14 is an enlarged view of the encircled area seen in FIG. 13 of a portion of the top cover.

The evenly dotted broken lines depict portions of the article that form no part of the claimed design. The dash-dot-dash lines in the drawings represent the boundary of the claimed design and forms no part thereof.

The face cover assembly is shown with a break in its length. The appearance of any portion of the article between the break lines forms no part of the claimed design.

As shown in the figures, only the outer surfaces of the face cover assembly form the claimed design such that the interior is not being claimed.

1 Claim, 12 Drawing Sheets



(58) **Field of Classification Search**

CPC .. E04B 2002/7492; E04B 2/7407; E04B 2/74;
E04B 2/78; E04B 2002/749

See application file for complete search history.

(56) **References Cited**

U.S. PATENT DOCUMENTS

4,358,916 A * 11/1982 Lacasse E04C 2/322
52/630
D270,092 S * 8/1983 Lacasse D25/123
4,601,146 A * 7/1986 Harter E04B 2/7444
52/239
D286,433 S * 10/1986 Greco D25/125
5,020,293 A * 6/1991 Itagaki A47F 11/02
248/223.41
5,172,530 A * 12/1992 Fishel A47B 21/06
160/135
5,212,918 A * 5/1993 Newhouse E04B 2/7425
160/195
D354,733 S * 1/1995 Ingraham D13/155
D355,264 S * 2/1995 Stoler D25/125
5,644,477 A * 7/1997 Klein H02B 1/06
211/41.1
D413,305 S * 8/1999 West D13/155
6,060,144 A * 5/2000 Kimura B29C 49/24
264/257
6,276,103 B1 * 8/2001 Waalkes E04B 2/7433
52/239

6,279,278 B1 * 8/2001 Morris E04B 2/7422
52/238.1
6,349,516 B1 * 2/2002 Powell E04B 2/7437
52/220.7
D461,015 S * 7/2002 Biro D25/121
D479,007 S * 8/2003 Biro D25/125
D492,797 S * 7/2004 Simko D25/125
6,851,226 B2 * 2/2005 MacGregor A47B 83/001
52/220.7
6,972,367 B2 * 12/2005 Federspiel H02G 3/0418
174/481
D541,955 S * 5/2007 Simko D25/125
D606,211 S * 12/2009 Frobosilo D25/121
7,814,711 B2 * 10/2010 Milligan E06B 3/5481
52/126.4
8,015,767 B2 * 9/2011 Glick E04B 2/7407
52/239
D647,635 S * 10/2011 Seehof D25/125
9,057,201 B2 * 6/2015 Milligan E04B 2/7401
D746,489 S * 12/2015 Khaychenko D25/141
D748,290 S * 1/2016 Khaychenko D25/141
D751,222 S * 3/2016 Darr, III D25/125
D776,301 S * 1/2017 Lamberts D25/125
9,617,732 B2 * 4/2017 Kopish E04B 2/7457
9,803,361 B2 * 10/2017 Von Hoyningen Huene
E04B 2/7457
9,874,344 B2 * 1/2018 Green F21V 33/006
10,053,858 B2 * 8/2018 Kopish E05D 15/063
D830,576 S * 10/2018 Swann D25/68
D840,056 S * 2/2019 Hazenberg D25/138
D846,761 S * 4/2019 Molnar D25/123

* cited by examiner

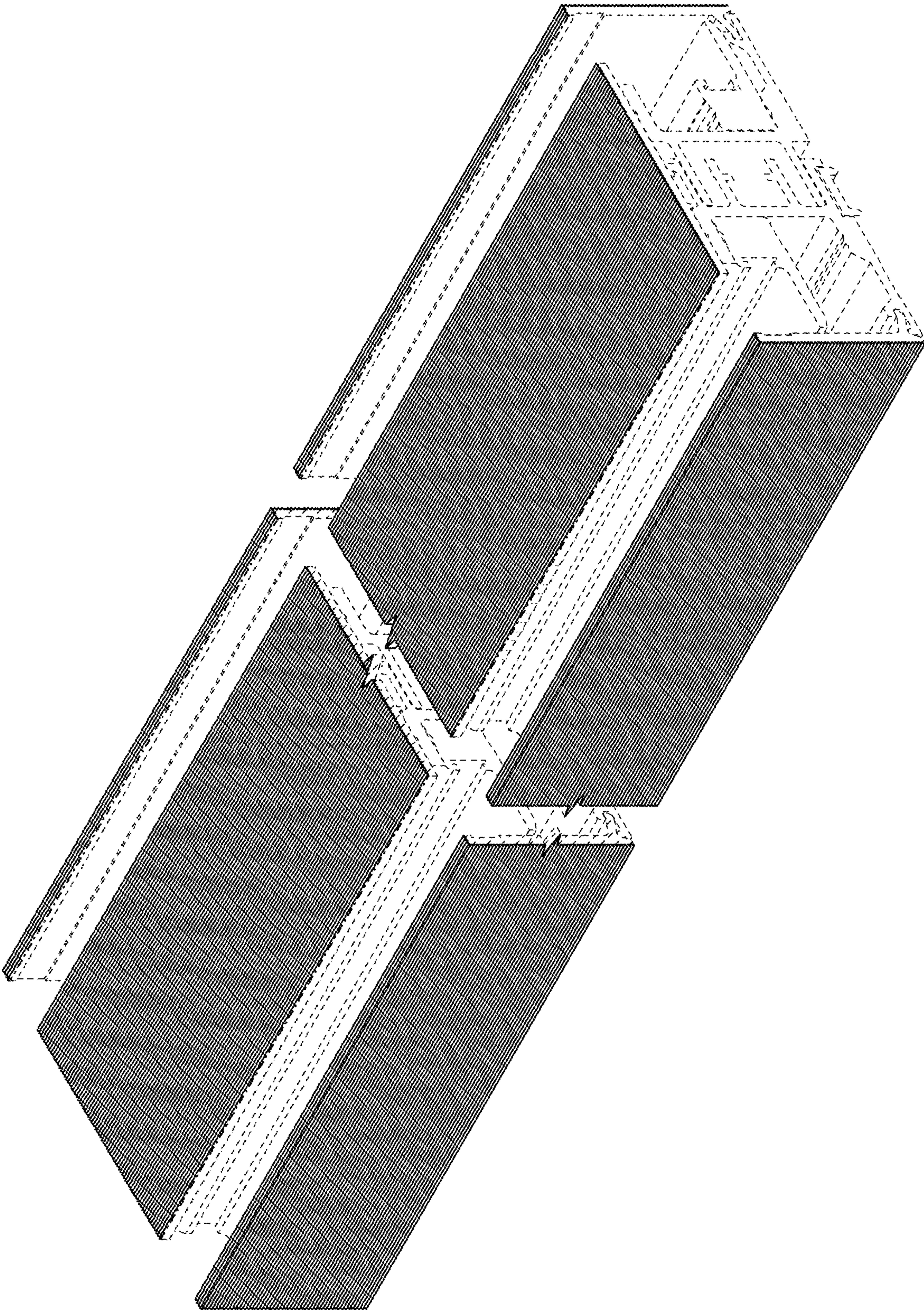


FIG. 1

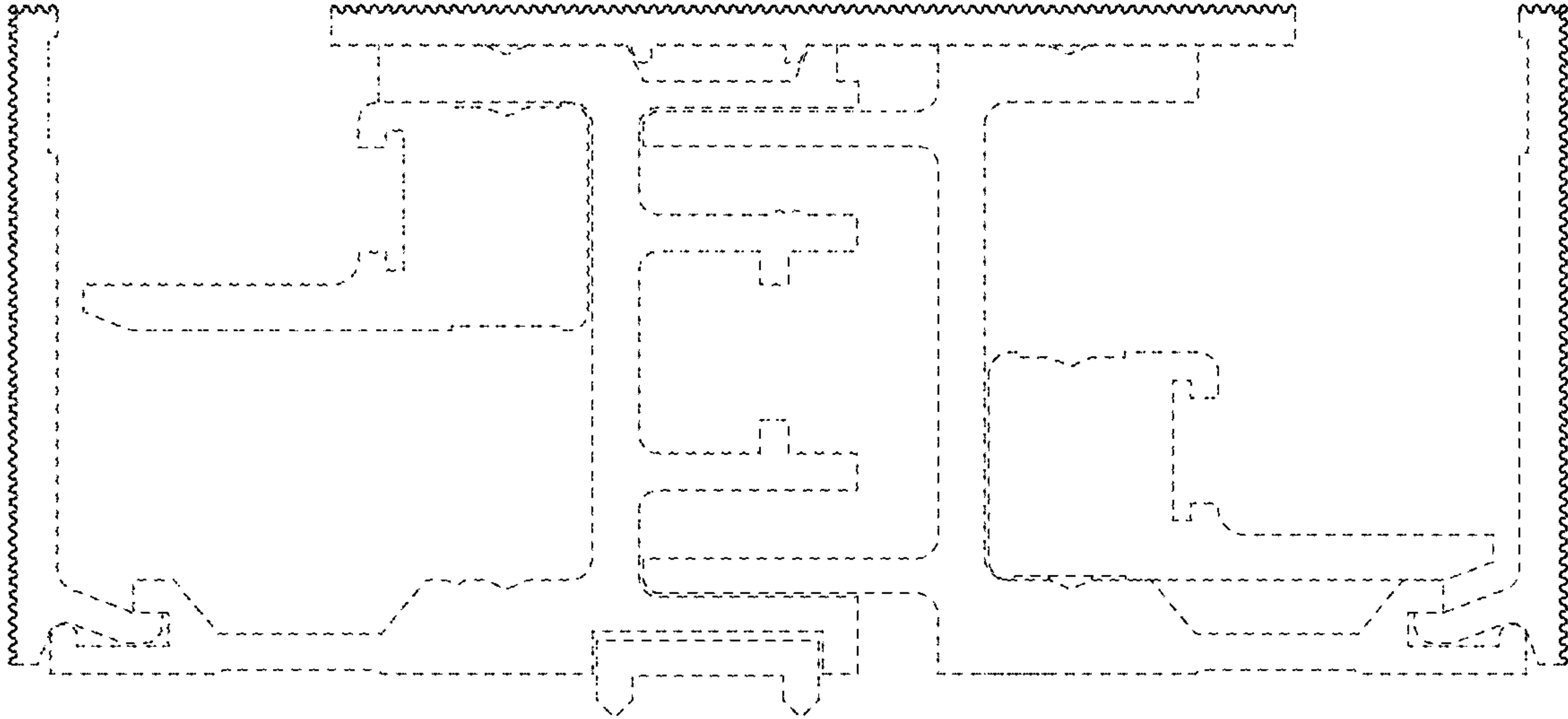


FIG. 2

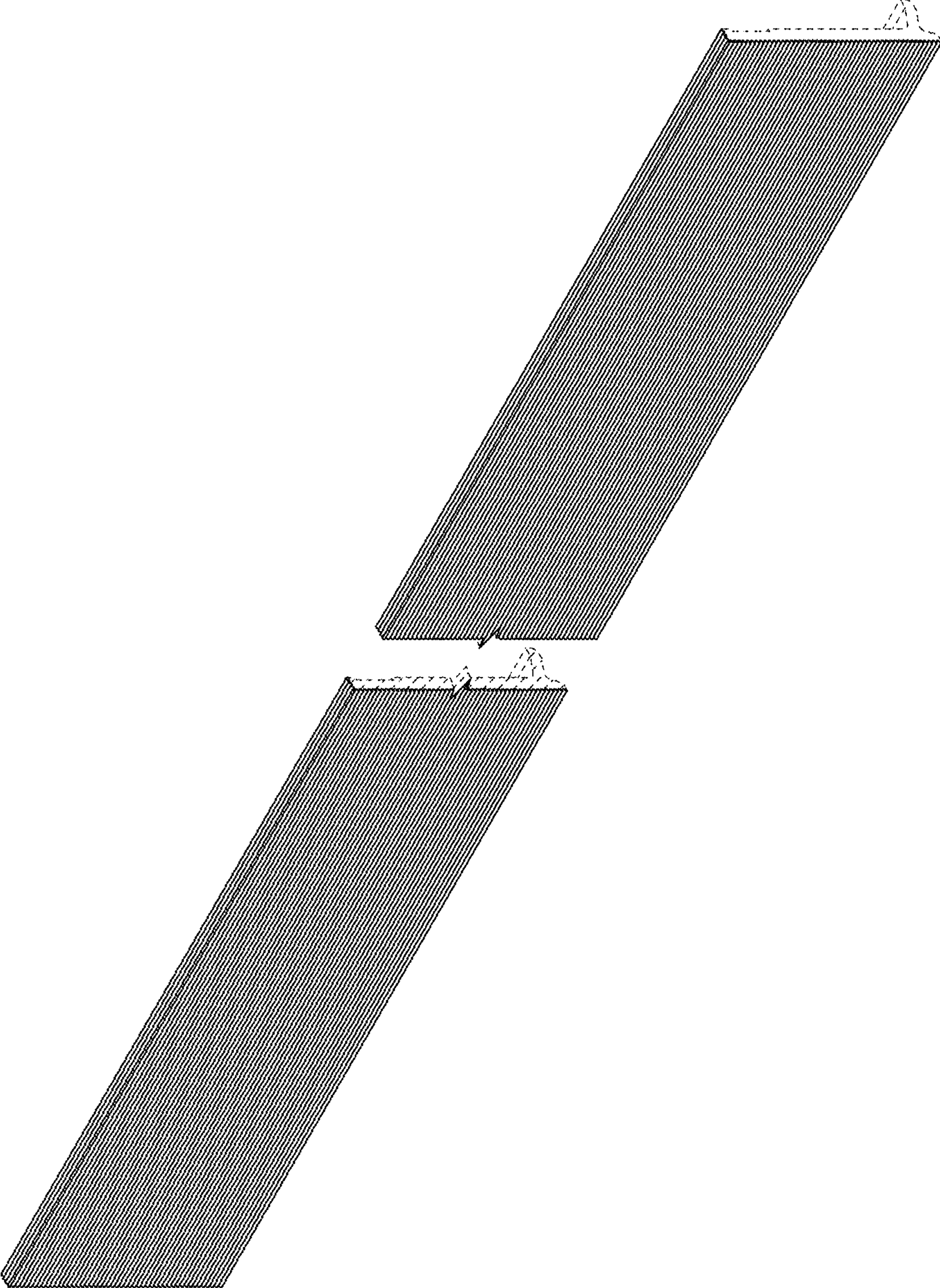


FIG. 3

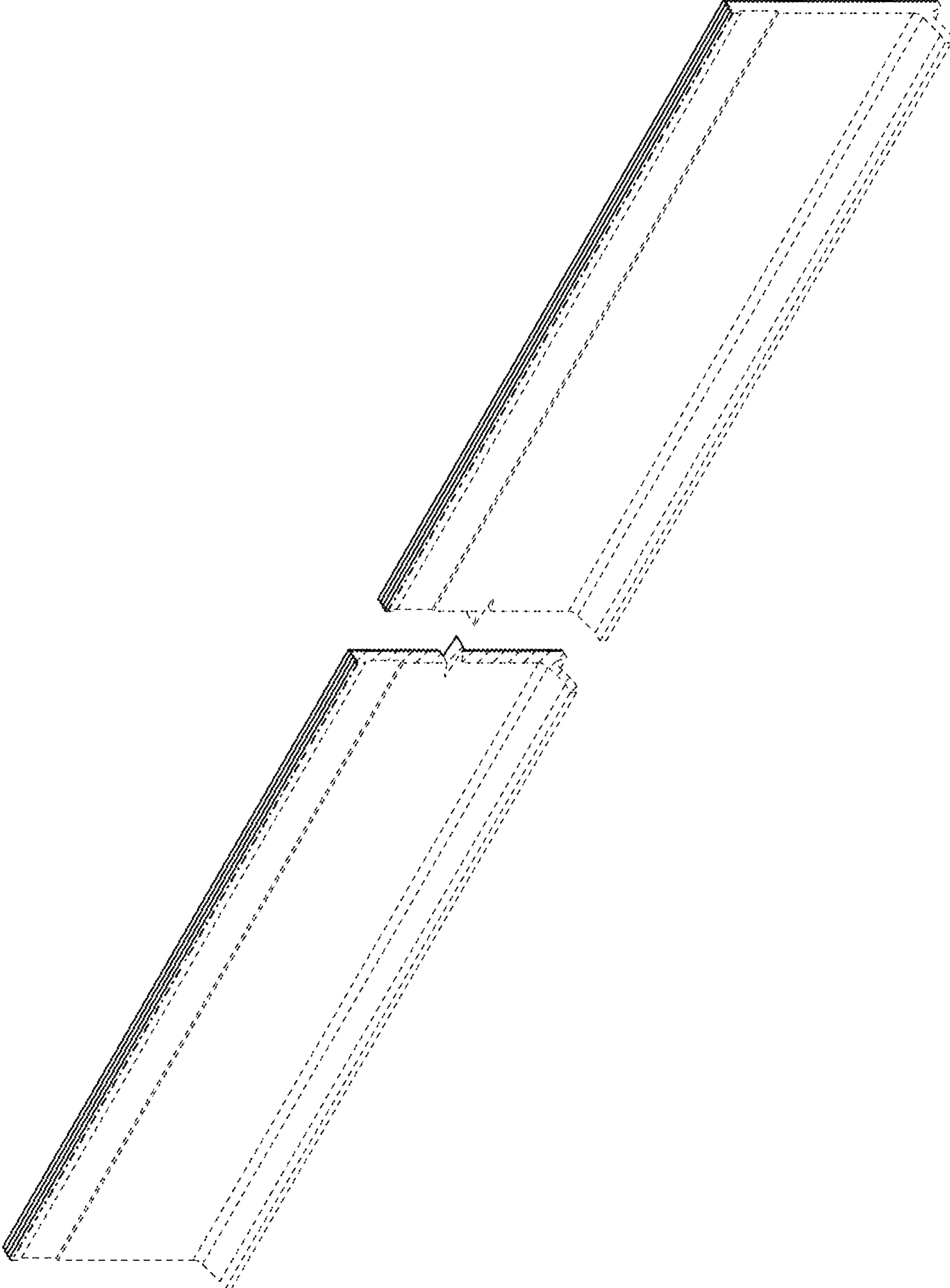


FIG. 4

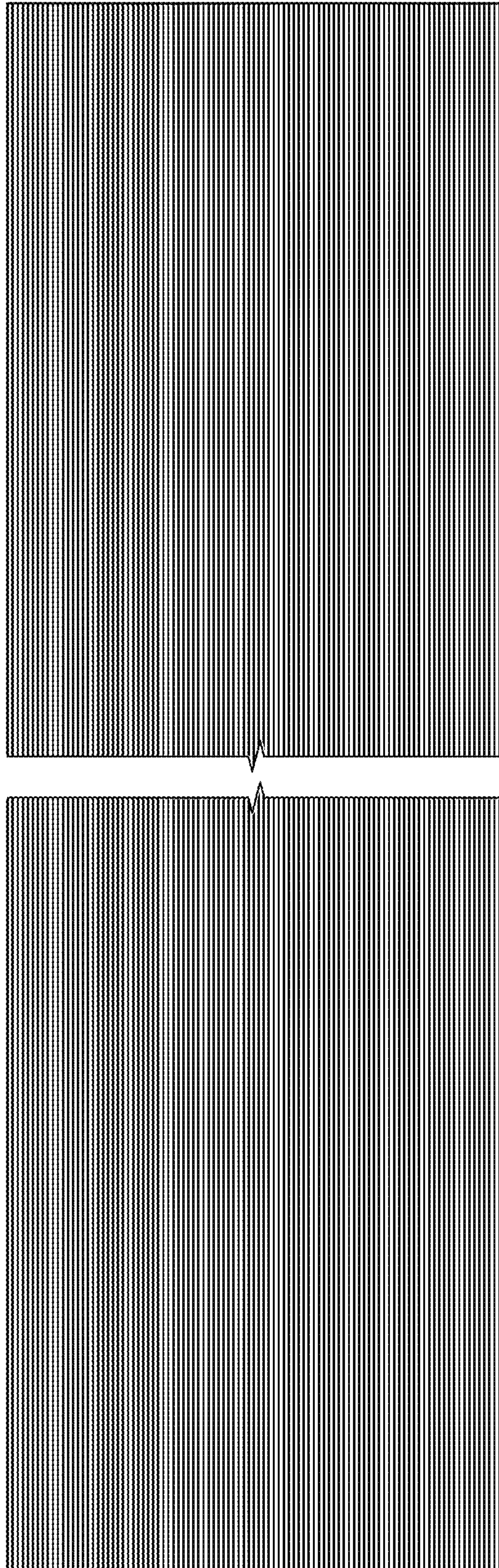


FIG. 5

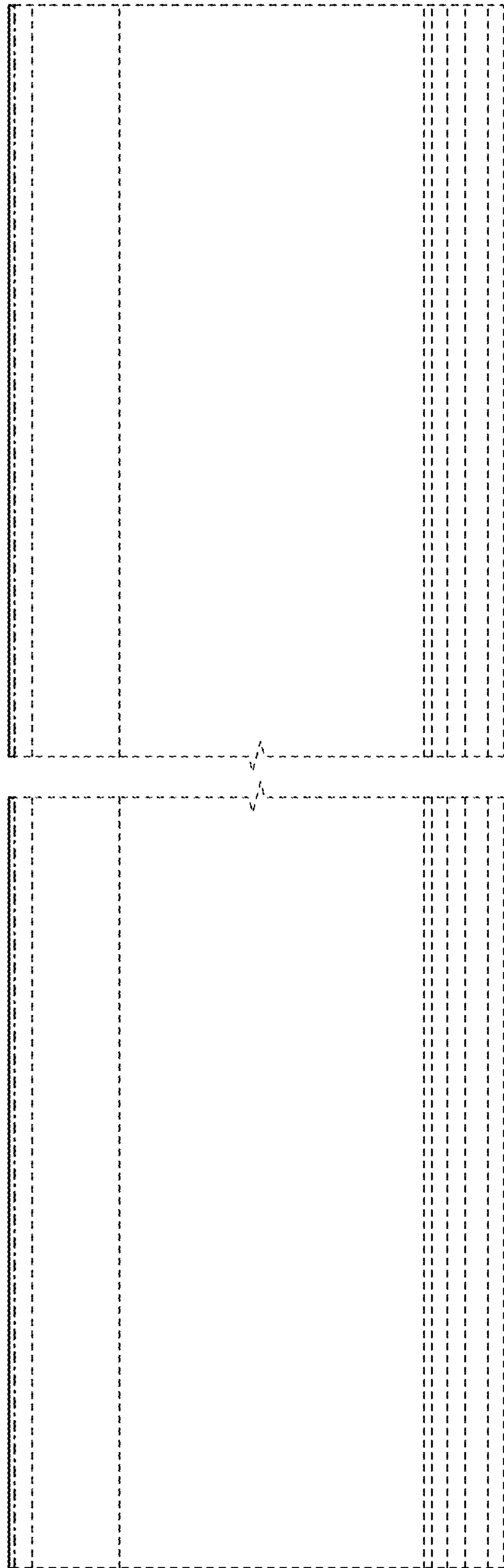


FIG. 6

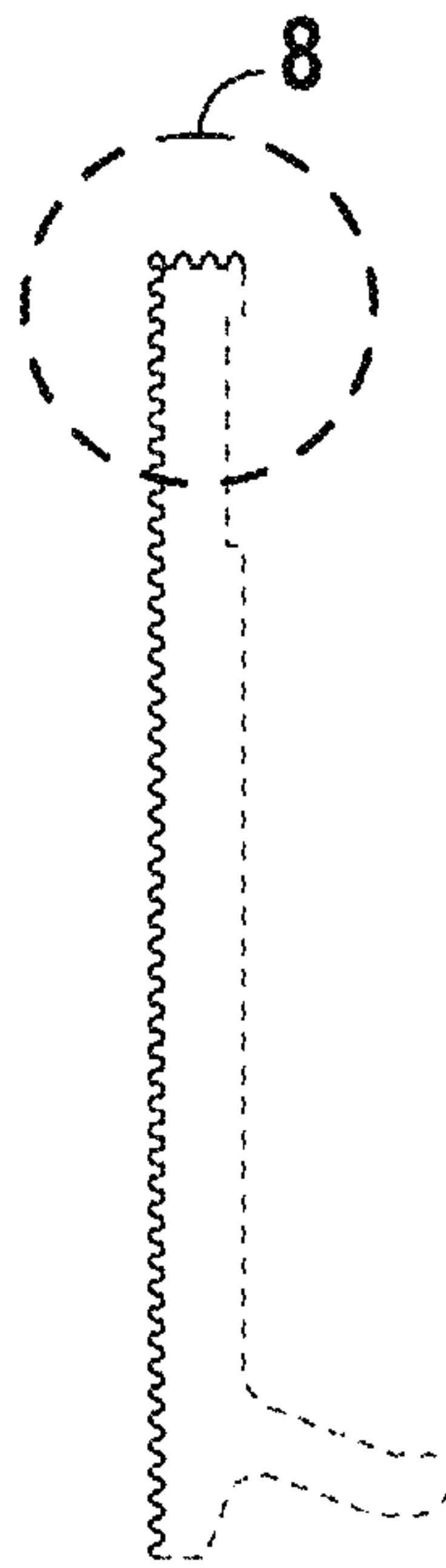


FIG. 7

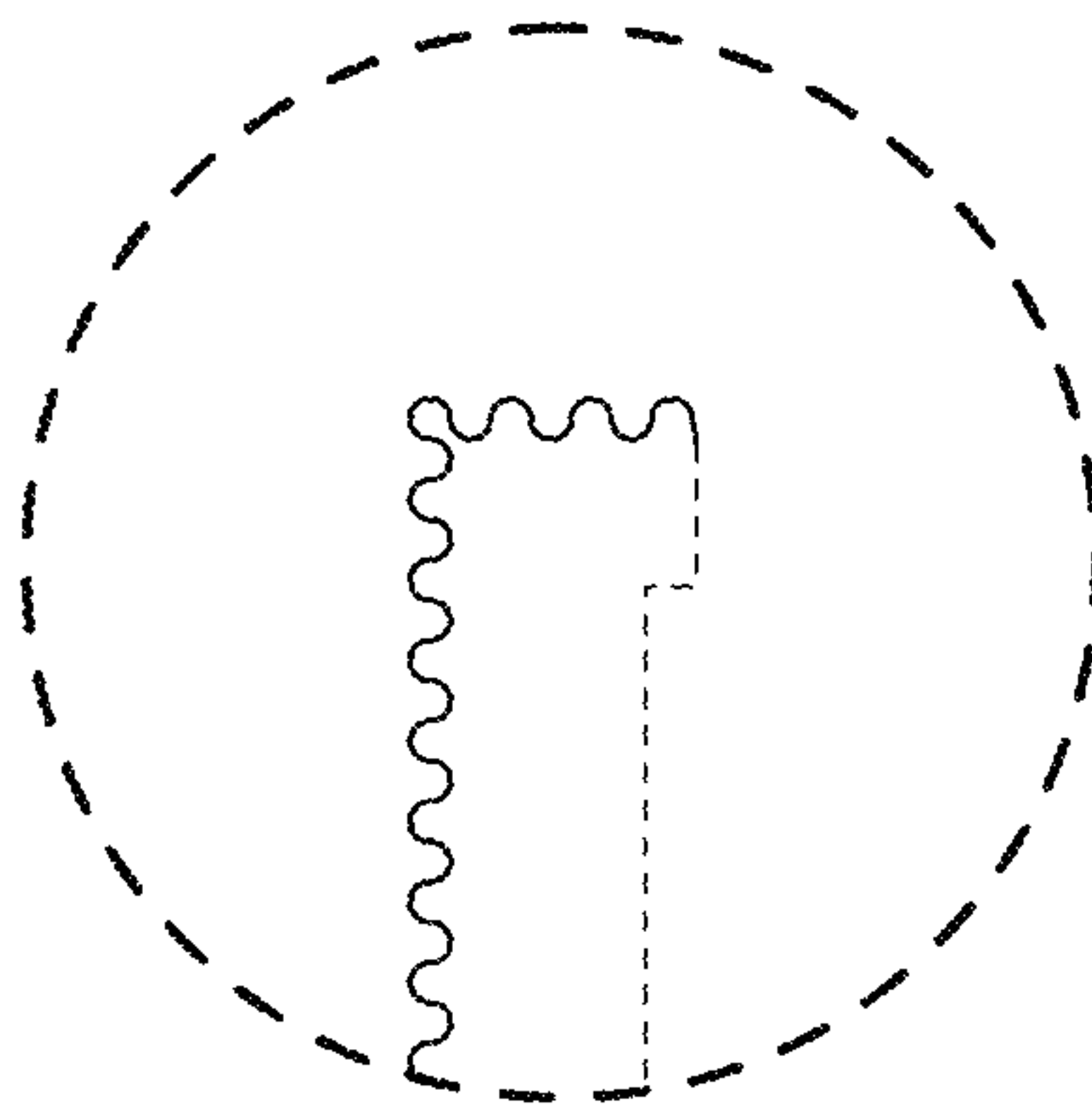


FIG. 8

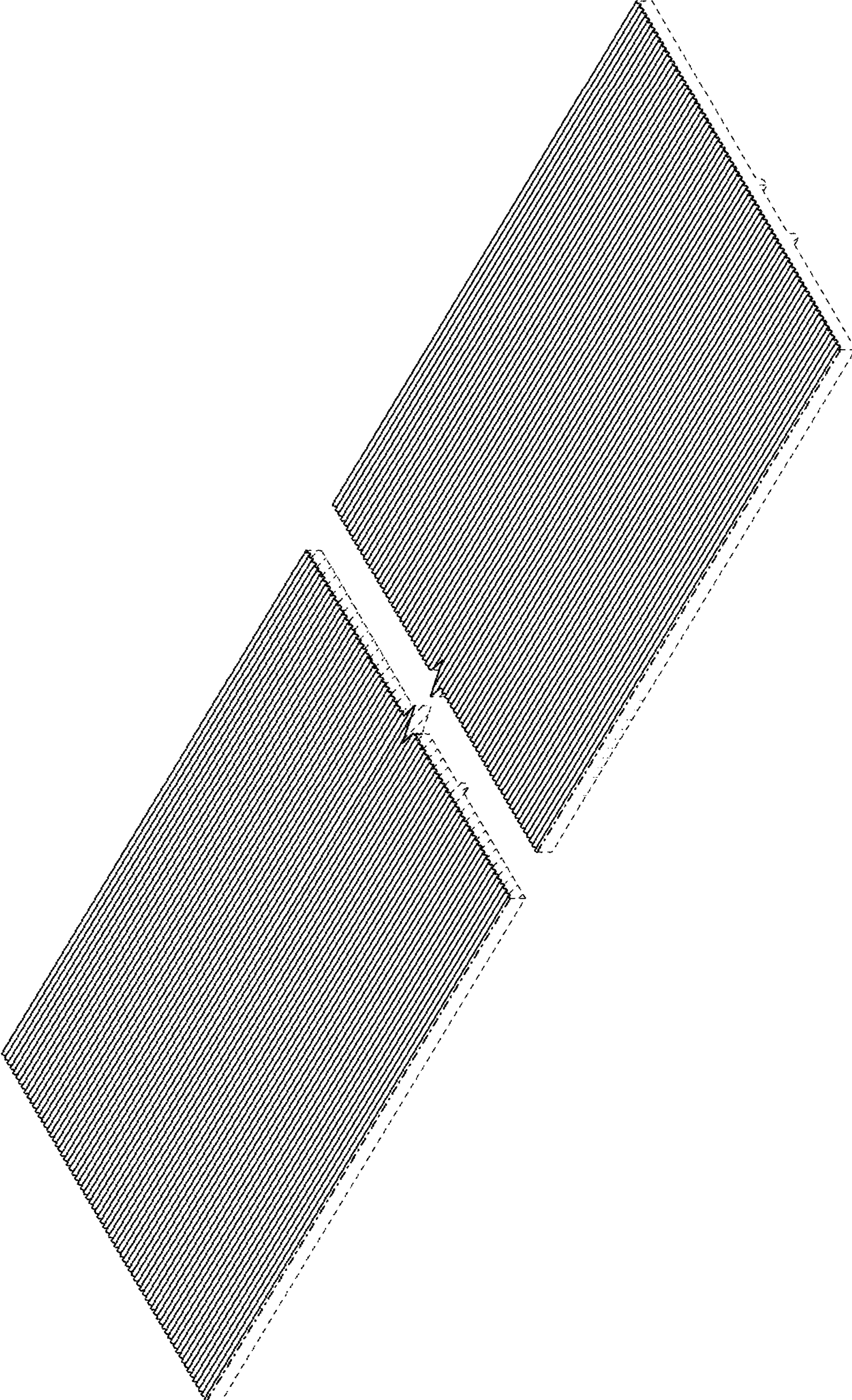


FIG. 9

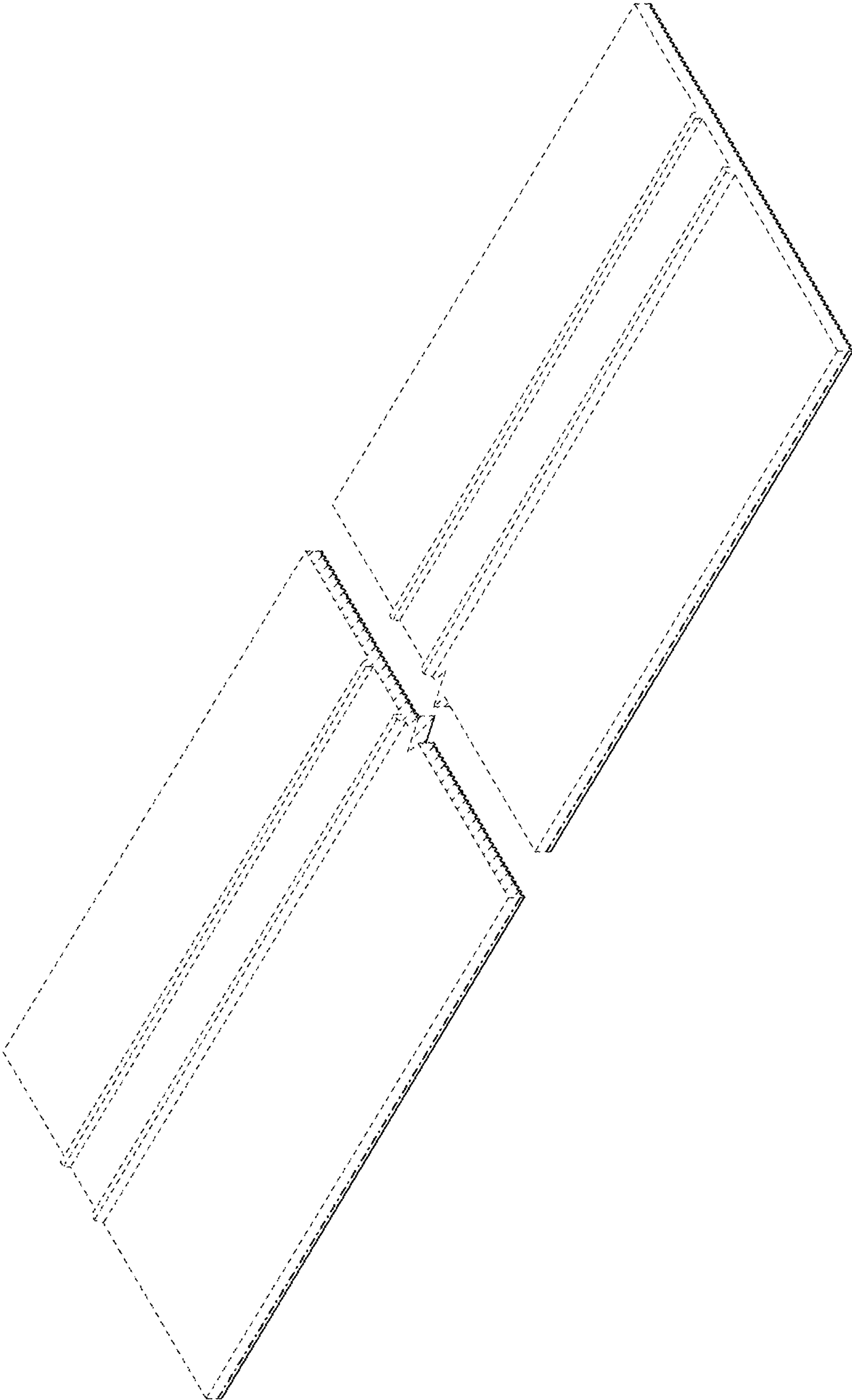


FIG. 10

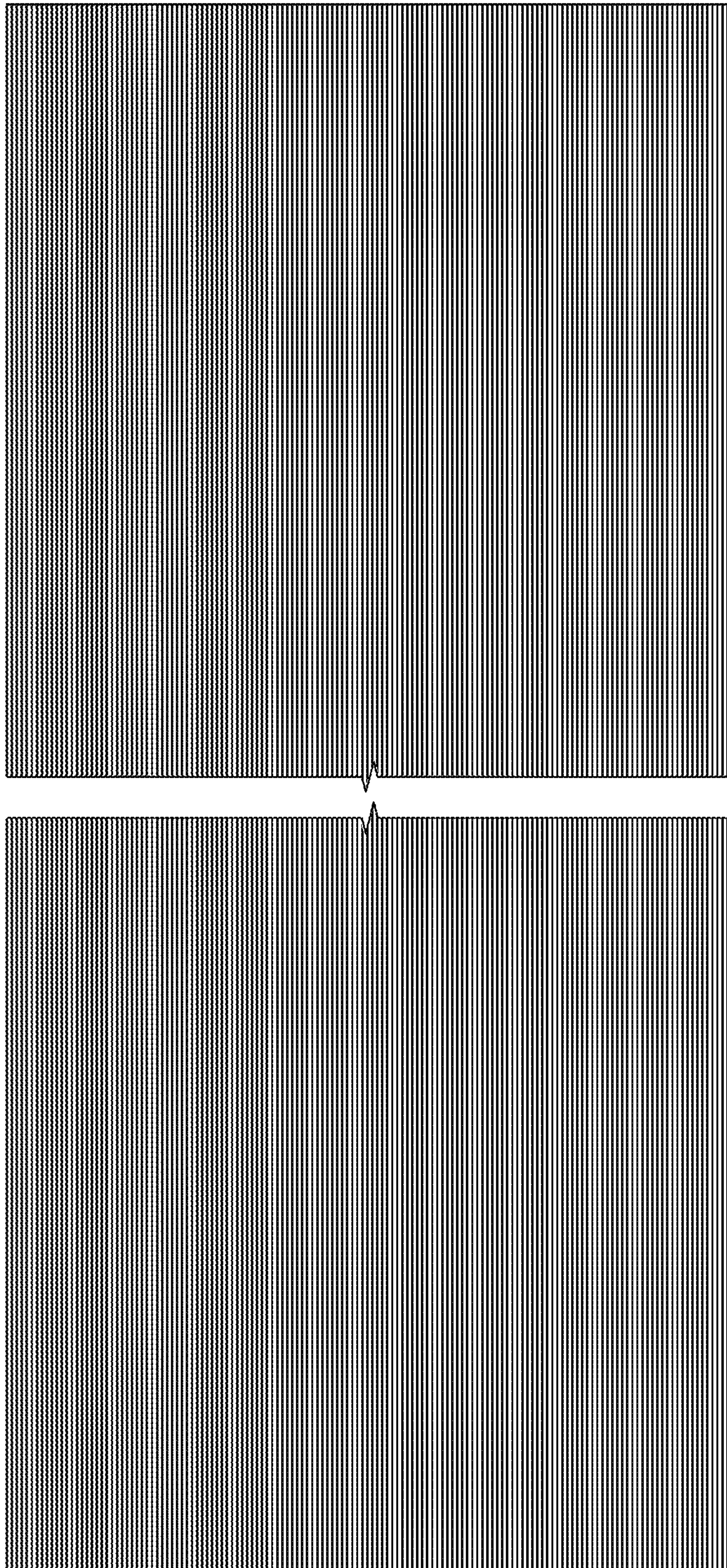


FIG. 11

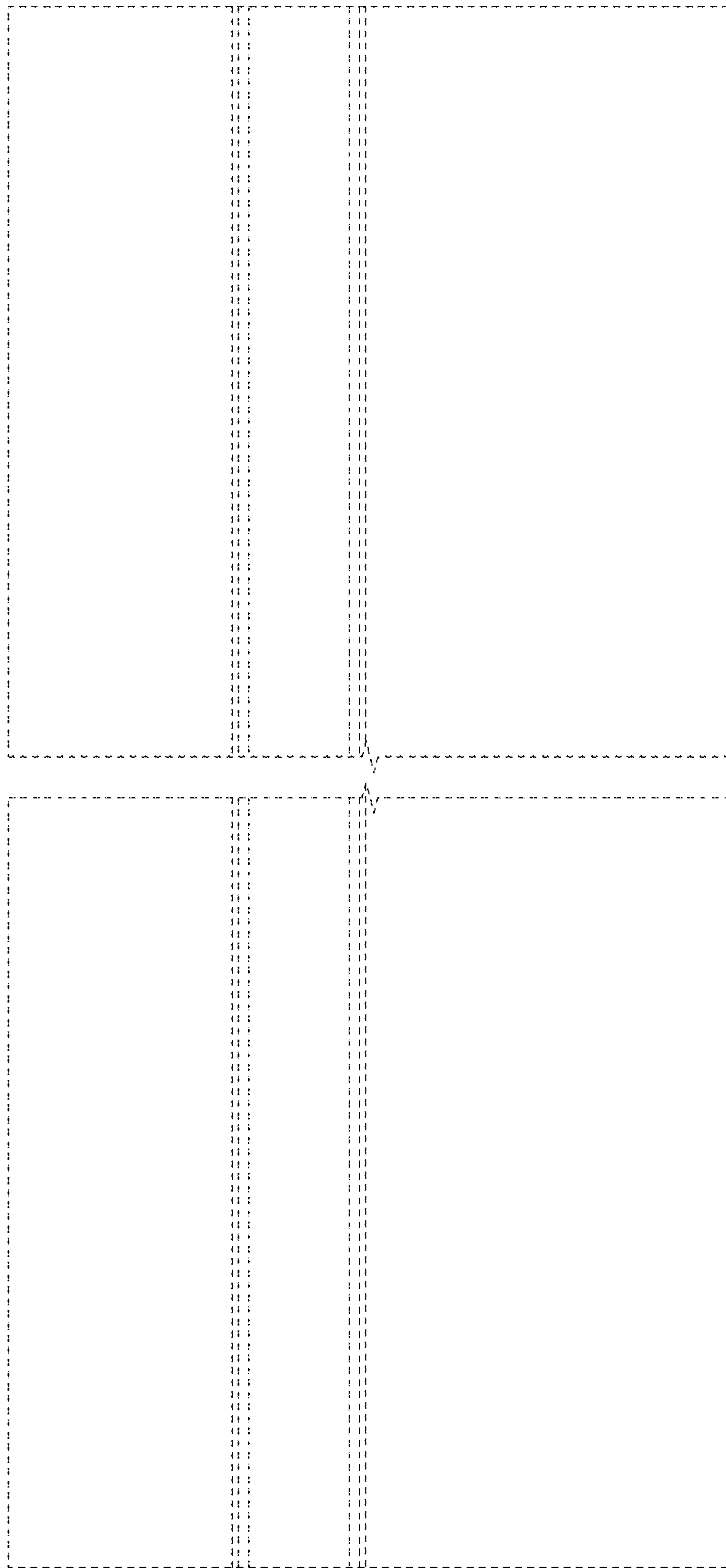


FIG. 12

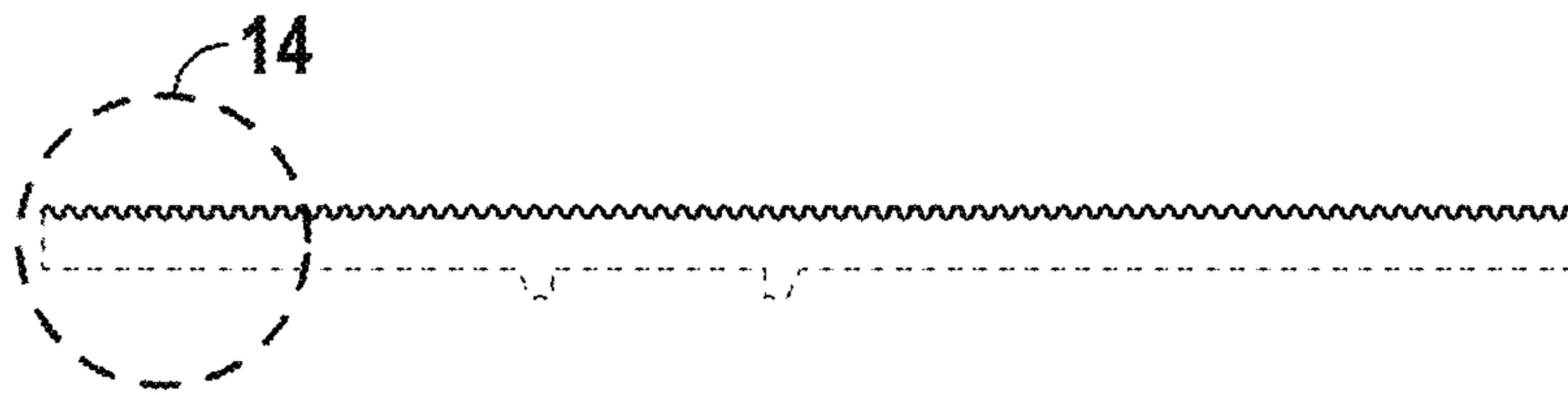


FIG. 13

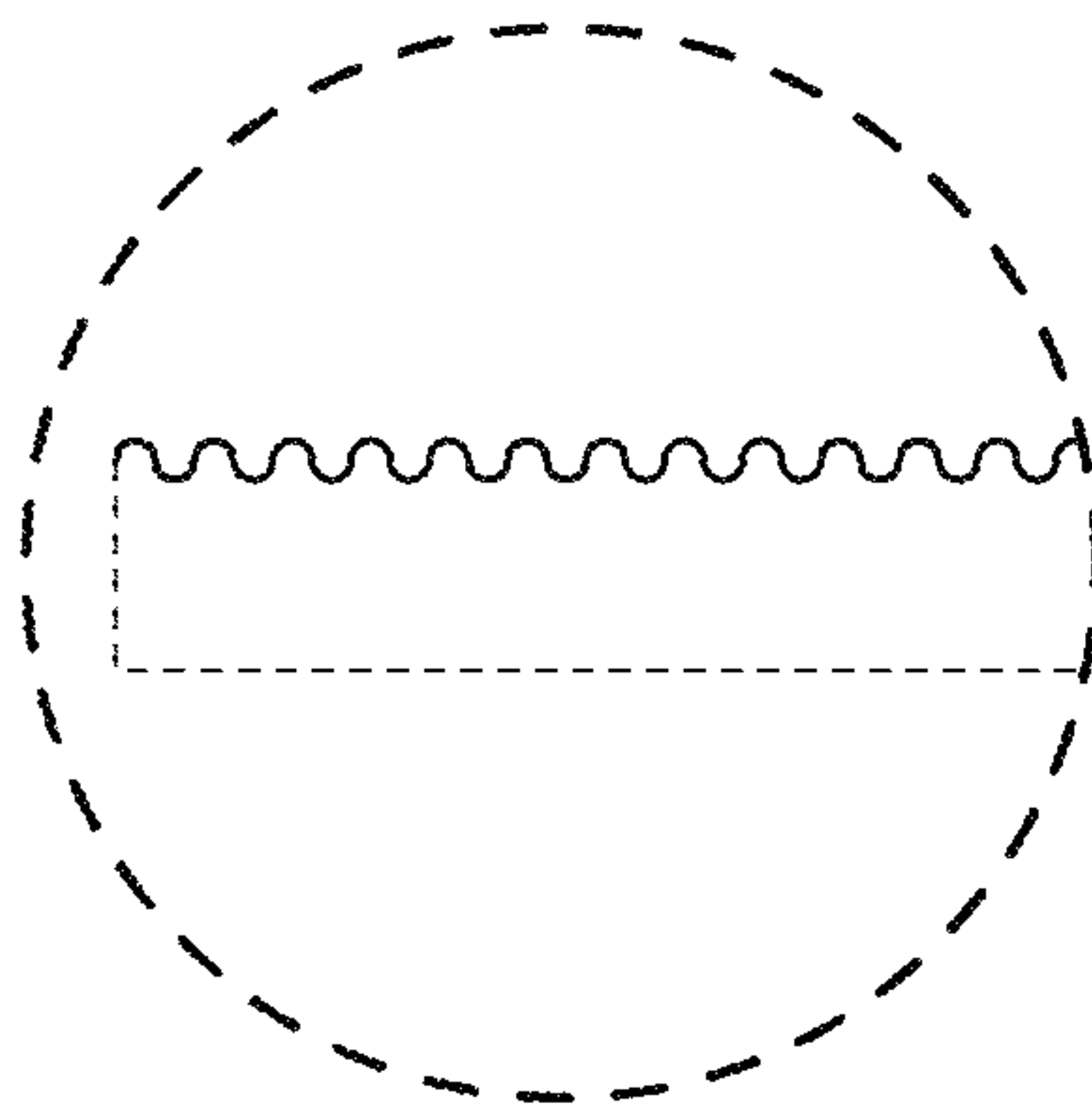


FIG. 14