



US00D914914S

(12) **United States Design Patent** (10) **Patent No.:** **US D914,914 S**  
**Phan et al.** (45) **Date of Patent:** **\*\* Mar. 30, 2021**

(54) **MOLDED SURFACE OF A CONCRETE PRODUCT**

D615,216 S 5/2010 Jacot et al.  
D633,630 S 3/2011 Jacot et al.  
D659,263 S 5/2012 Jacot et al.  
D833,645 S \* 11/2018 Mohamed ..... D25/113  
2011/0135404 A1\* 6/2011 Steffen ..... E02D 29/025  
405/284

(71) Applicant: **Oldcastle Building Products Canada Inc., Saint-John (CA)**

(72) Inventors: **Jean-Paul Phan, Montréal (CA);  
Nader Assad, Repentigny (CA);  
Martin Latour, Montréal (CA)**

FOREIGN PATENT DOCUMENTS

CN 301567397 S 6/2011  
CN 301806571 S 1/2012

(73) Assignee: **Oldcastle Building Products Canada Inc., Saint-John (CA)**

(Continued)

(\*\*) Term: **15 Years**

OTHER PUBLICATIONS

(21) Appl. No.: **29/720,897**

Office Action for U.S. Appl. No. 29/644,075 dated Aug. 1, 2019, 6 pages.

(22) Filed: **Jan. 16, 2020**

*Primary Examiner* — Leanne Was-Englehart

(74) *Attorney, Agent, or Firm* — Merchant & Gould P.C.

**Related U.S. Application Data**

(62) Division of application No. 29/644,075, filed on Apr. 13, 2018, now abandoned.

(57) **CLAIM**

The ornamental design for a molded surface of a concrete product, as shown and described.

(51) **LOC (13) Cl.** ..... **25-01**

(52) **U.S. Cl.**  
USPC ..... **D25/115**

**DESCRIPTION**

(58) **Field of Classification Search**  
USPC ..... D21/484-486, 499-505; D25/102,  
D25/112-118, 164  
CPC ... E02D 29/02; E02D 29/025; E02D 29/0225;  
E02D 29/0241; E04B 2/00; B28B 7/162;  
A47L 13/10

FIG. 1 is a perspective view of a molded surface of a concrete product according to our design;  
FIG. 2 is another perspective view of the molded surface of a concrete product depicted in FIG. 1;  
FIG. 3 is a front view thereof;  
FIG. 4 is a rear view thereof;  
FIG. 5 is a right side view thereof;  
FIG. 6 is a left side view thereof;  
FIG. 7 is a top view thereof; and,  
FIG. 8 is a bottom view thereof.

See application file for complete search history.

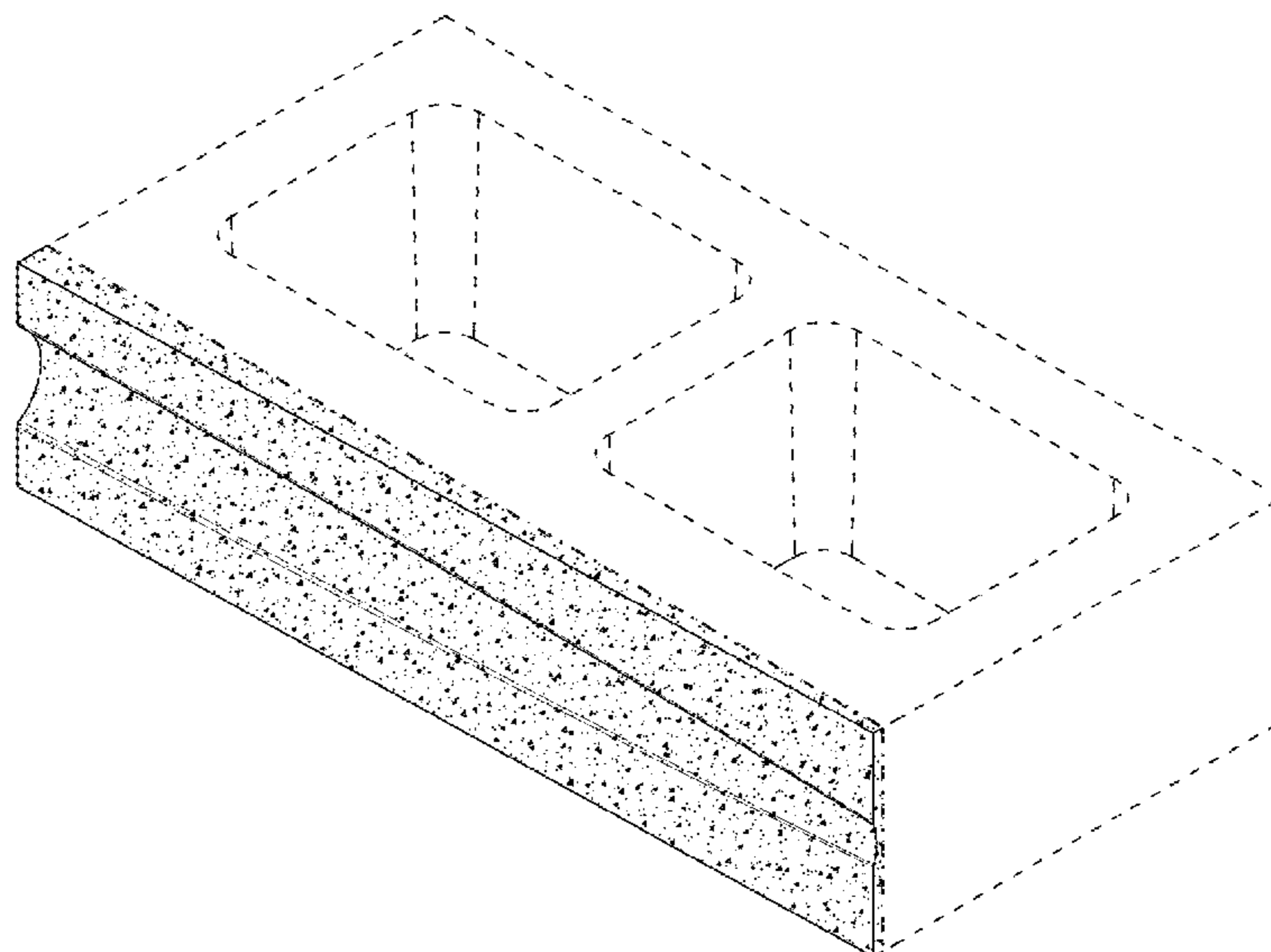
The dot-dash broken lines depict the bounds of the claim. The broken lines in the drawings are included for the purpose of illustrating portions of the molded surface of a concrete product that form no part of the claimed design.

(56) **References Cited**

U.S. PATENT DOCUMENTS

2,733,473 A \* 2/1956 Courser ..... A47L 13/10  
15/268  
D336,140 S \* 6/1993 Lavery ..... D25/113  
D503,483 S \* 3/2005 Williams ..... D25/113  
D517,221 S \* 3/2006 Keys ..... D25/113  
D593,221 S 5/2009 Lacas

**1 Claim, 6 Drawing Sheets**



(56)

**References Cited**

FOREIGN PATENT DOCUMENTS

CN	302192320 S	11/2012
CN	302310532 S	1/2013
CN	302975204 S	10/2014
CN	302975205 S	10/2014
WO	D055429-011 S	5/2001
WO	D055429-012 S	5/2001

\* cited by examiner

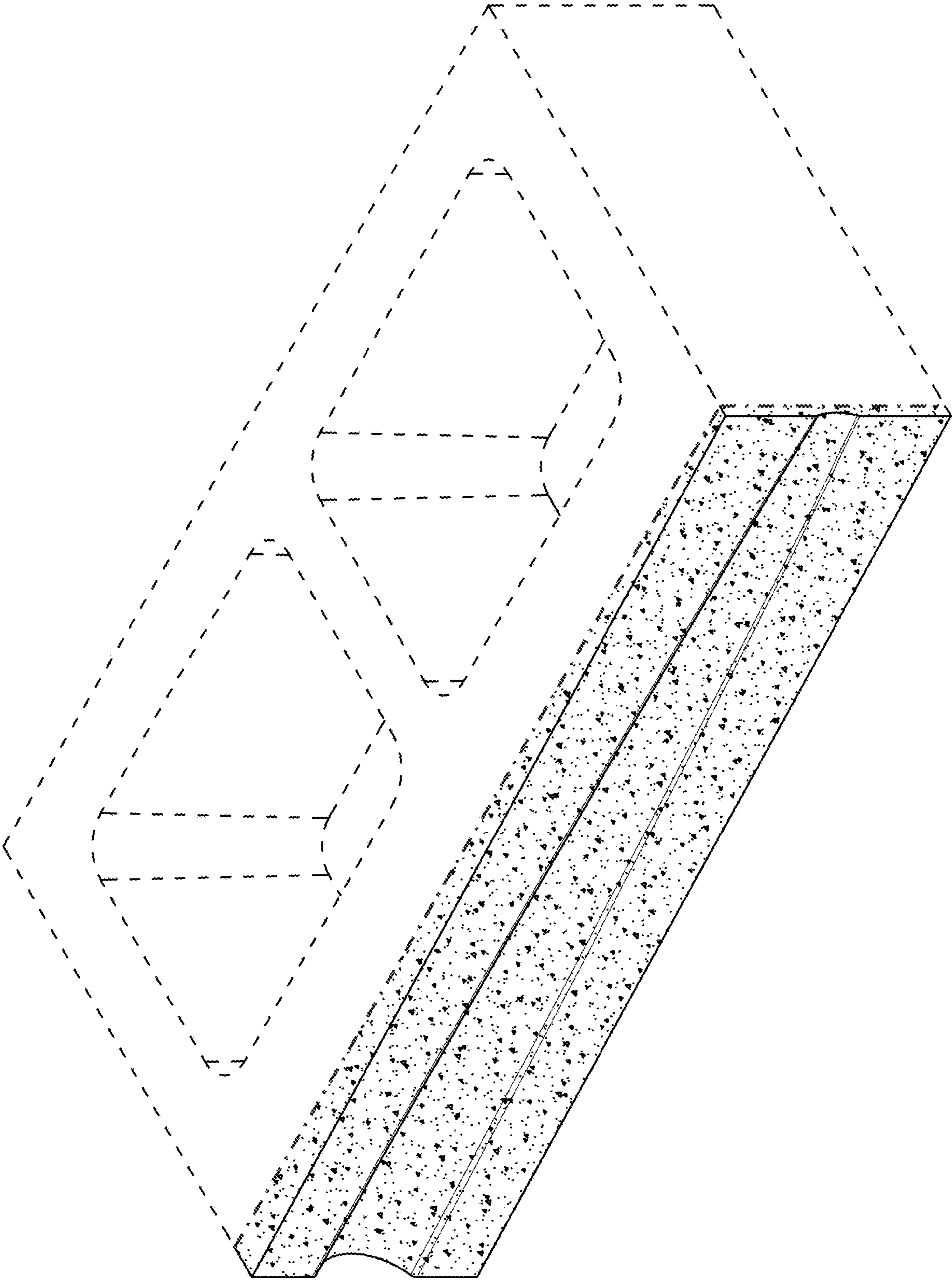


FIG. 1

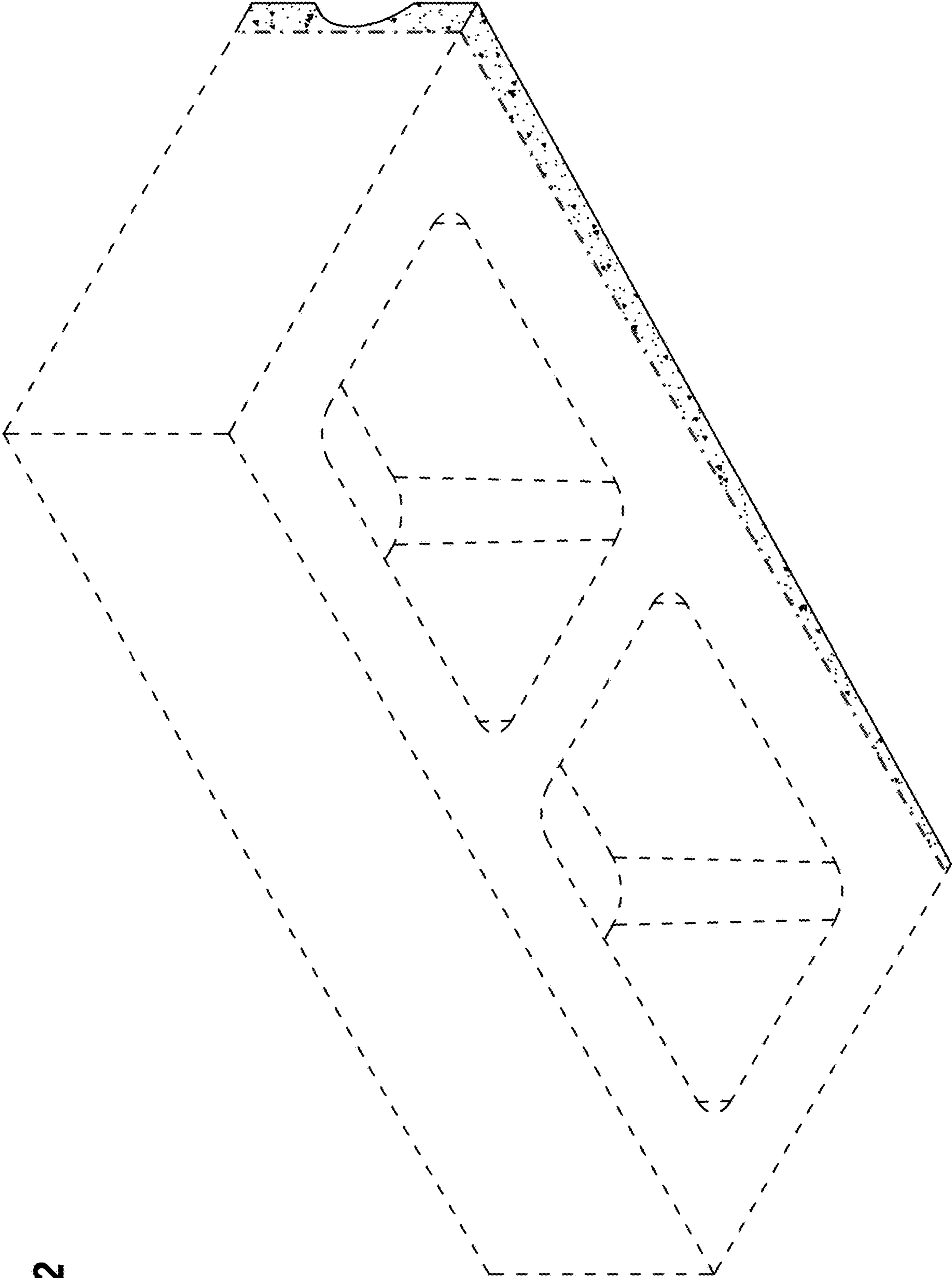
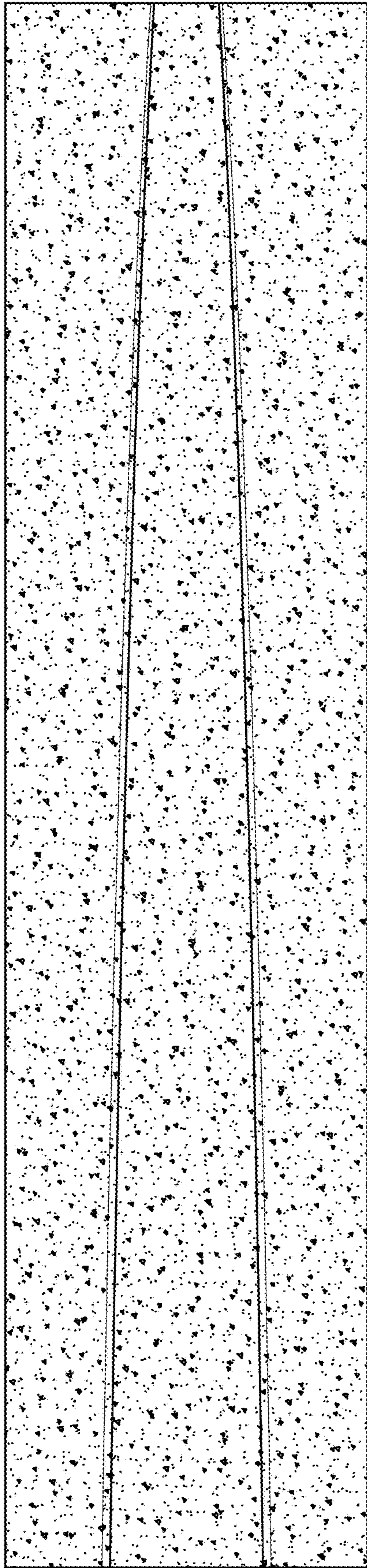


FIG. 2

**FIG. 3**



**FIG. 4**

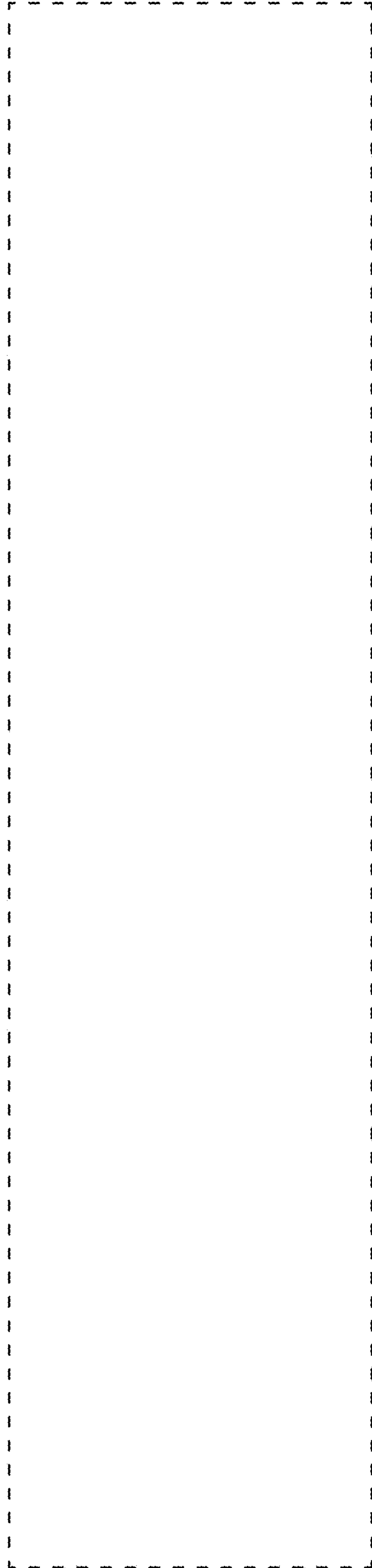


FIG. 5

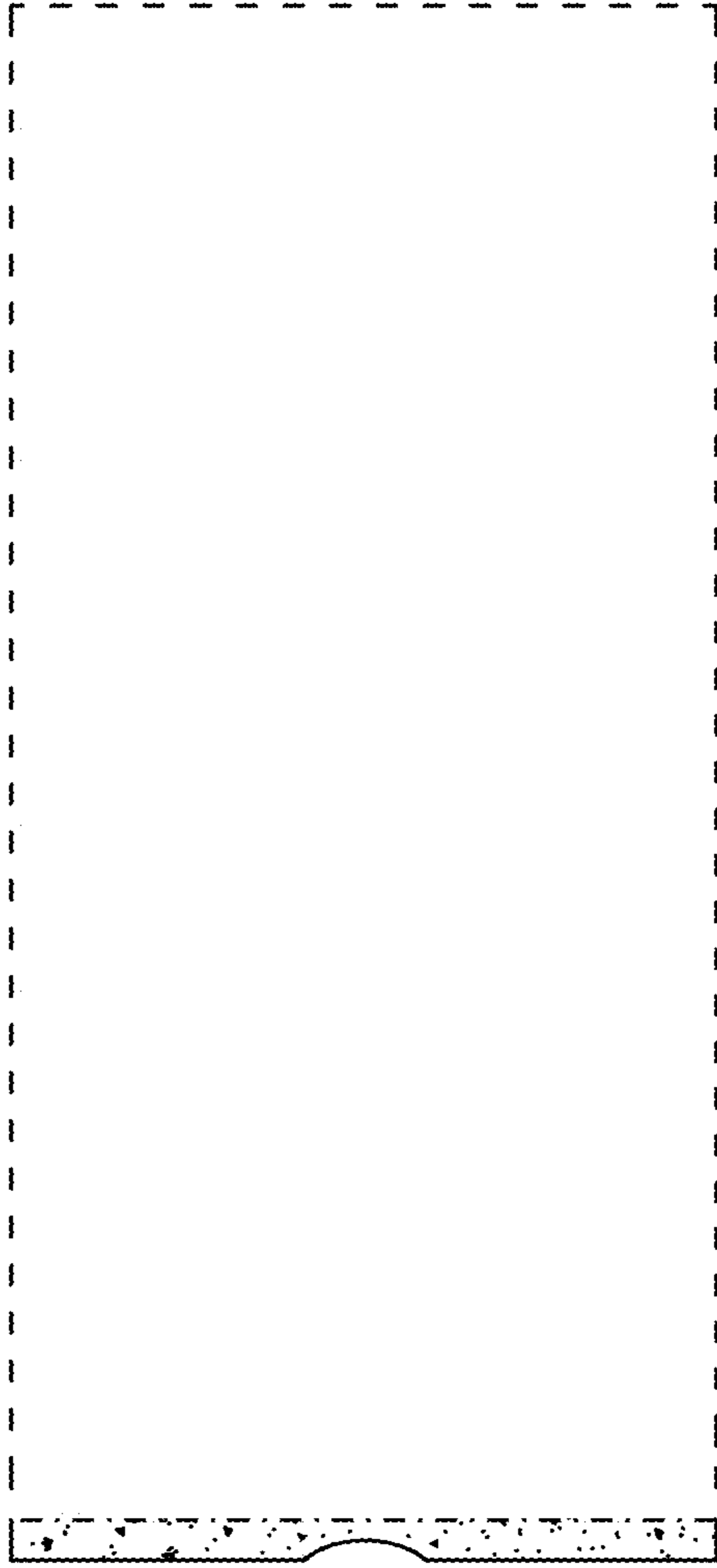
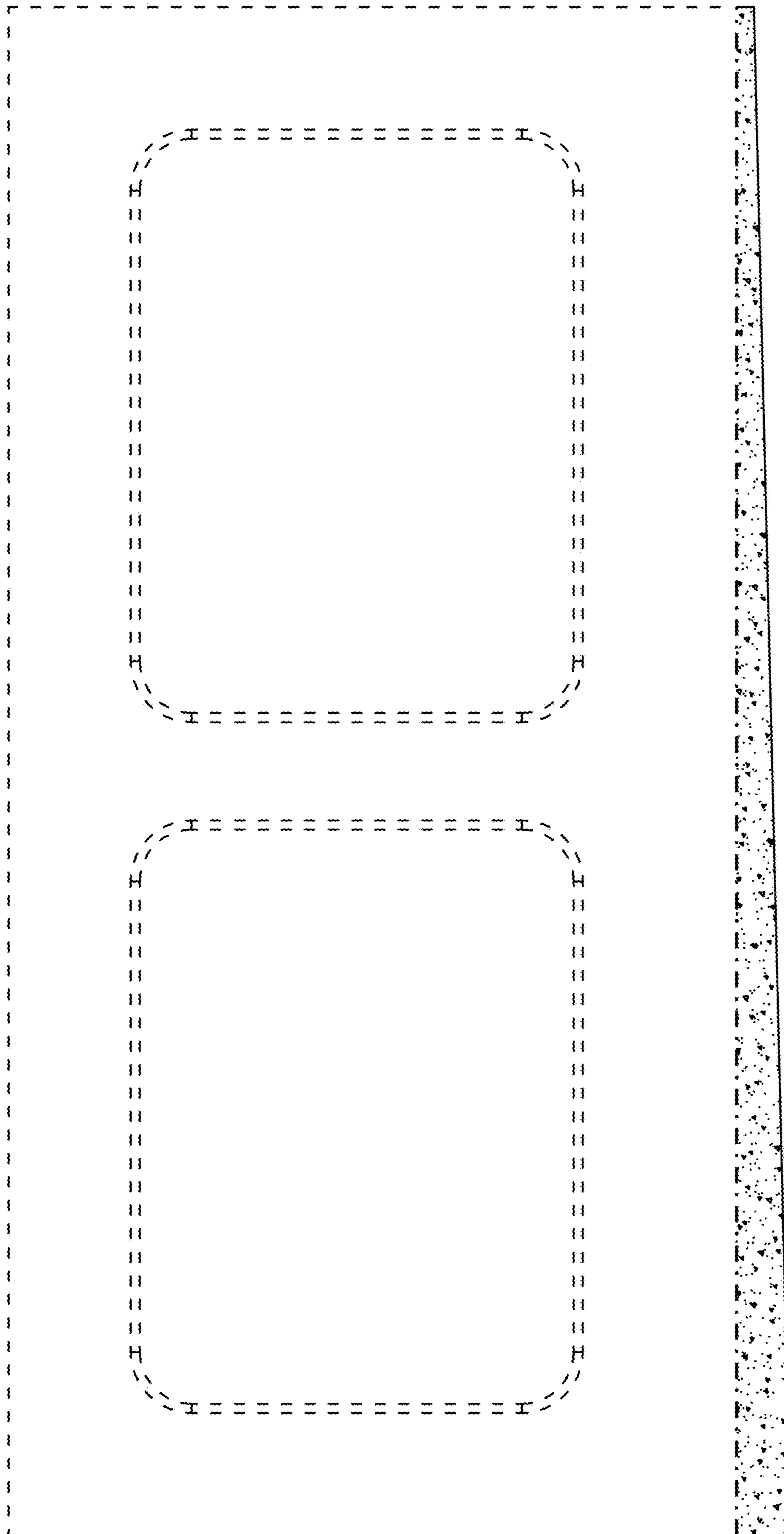


FIG. 6



FIG. 7



**FIG. 8**

