



US00D914913S

(12) **United States Design Patent** (10) **Patent No.:** **US D914,913 S**
Moncada (45) **Date of Patent:** **** Mar. 30, 2021**

(54) **LADDER SHELF**

(71) Applicant: **LOUISVILLE LADDER INC.,**
Louisville, KY (US)

(72) Inventor: **Francisco Javier Moreno Moncada,**
Nuevo León C.P. (MX)

(73) Assignee: **LOUISVILLE LADDER INC.,**
Louisville, KY (US)

(**) Term: **15 Years**

(21) Appl. No.: **29/659,551**

(22) Filed: **Aug. 9, 2018**

(51) **LOC (13) Cl.** **25-04**

(52) **U.S. Cl.**
USPC **D25/68**

(58) **Field of Classification Search**
USPC D25/62–65, 68, 69; 248/238, 240.4,
248/274.1, 311.2, 58; 182/120, 121, 115,
182/116, 126
CPC E06C 7/14; E06C 7/16; E06C 1/393
See application file for complete search history.

(56) **References Cited**

U.S. PATENT DOCUMENTS

D248,777 S *	8/1978	Spencer	D25/68
D372,105 S *	7/1996	Plotner	D25/68
7,219,766 B2	5/2007	Deuer		
D549,356 S	8/2007	Gibson		
D549,839 S *	8/2007	Zodnik	D25/68
D564,675 S *	3/2008	Farber	D25/65
7,753,170 B1	7/2010	Gibson		

(Continued)

FOREIGN PATENT DOCUMENTS

CA 2 883 793 A1 4/2014

Primary Examiner — Gino Colan

(74) *Attorney, Agent, or Firm* — Orrick, Herrington & Sutcliffe LLP

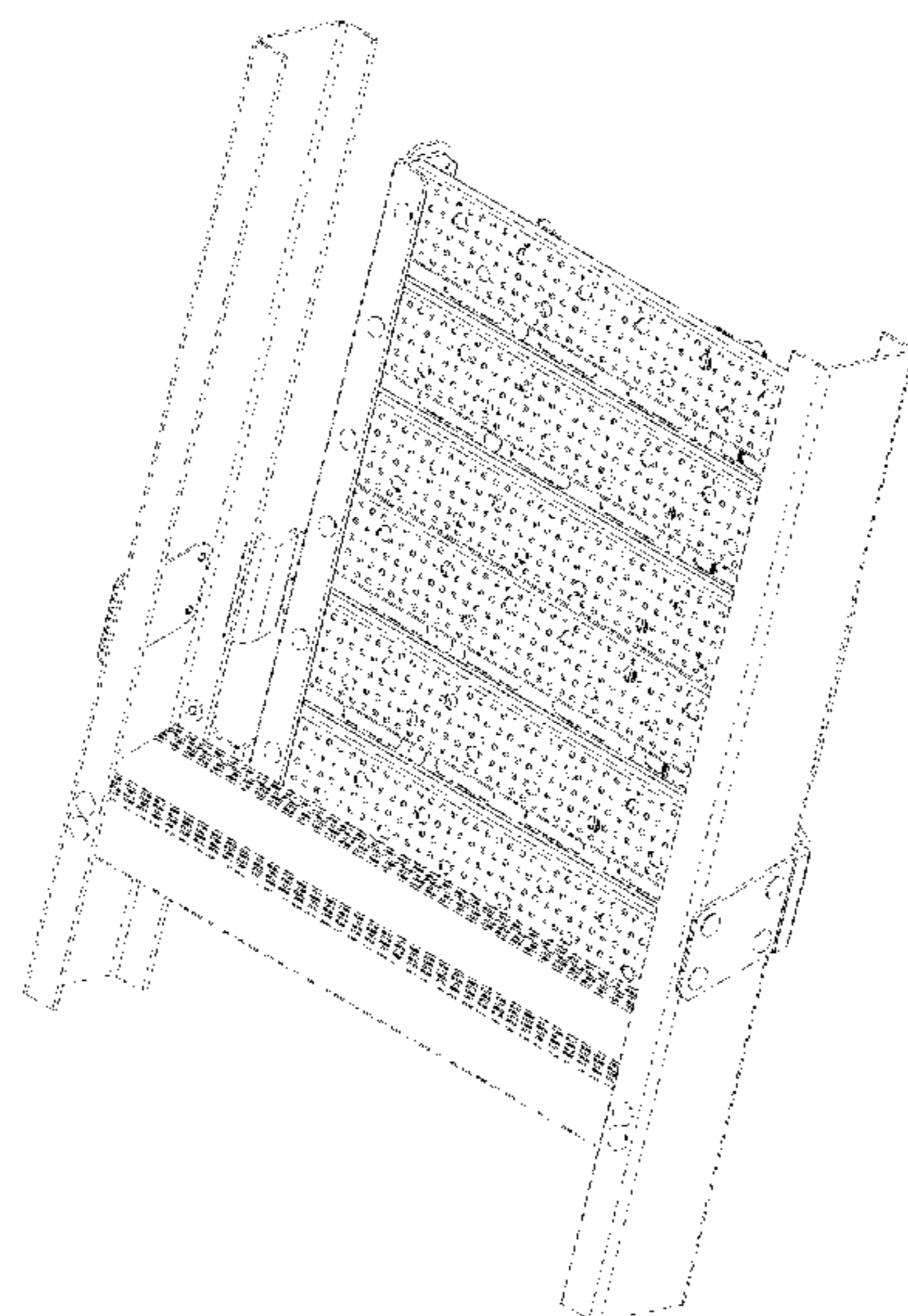
(57) **CLAIM**

The ornamental design for a ladder shelf, as shown and described.

DESCRIPTION

FIG. 1 is a perspective view illustrating my new and ornamental design for a ladder shelf;
FIG. 2 is a front view illustrating the new and ornamental design for the ladder shelf of FIG. 1;
FIG. 3 is a back view illustrating the new and ornamental design for the ladder shelf of FIG. 1;
FIG. 4 is a top view illustrating the new and ornamental design for the ladder shelf of FIG. 1;
FIG. 5 is a bottom view illustrating the new and ornamental design for the ladder shelf of FIG. 1;
FIG. 6 is a left-side view illustrating the new and ornamental design for the ladder shelf of FIG. 1;
FIG. 7 is a right-side view illustrating the new and ornamental design for the ladder shelf of FIG. 1;
FIG. 8 is a perspective view illustrating the new and ornamental design for the ladder shelf of FIGS. 1-7, wherein the ladder shelf is disposed in a deployed position;
FIG. 9 is a top view illustrating the new and ornamental design for the ladder shelf of FIG. 8;
FIG. 10 is a bottom view illustrating the new and ornamental design for the ladder shelf of FIG. 8;
FIG. 11 is a front view illustrating the new and ornamental design for the ladder shelf of FIG. 8;
FIG. 12 is a back view illustrating the new and ornamental design for the ladder shelf of FIG. 8;
FIG. 13 is a right-side view illustrating the new and ornamental design for the ladder shelf of FIG. 8; and,
FIG. 14 is a left-side view illustrating the new and ornamental design for the ladder shelf of FIG. 8.
The broken lines shown in the figures are for the purpose of illustrating environment and form no part of the claimed design.

1 Claim, 13 Drawing Sheets



(56)

References Cited

U.S. PATENT DOCUMENTS

9,382,759 B2 7/2016 Bolinski et al.
9,404,306 B2 8/2016 Russell et al.
9,593,531 B2 3/2017 Ballard et al.
10,138,680 B2 * 11/2018 Williams E06C 7/14
10,221,624 B2 * 3/2019 Leng E06C 1/20
D872,876 S * 1/2020 Leng D25/64
2005/0284703 A1 12/2005 Deuer
2014/0367194 A1 12/2014 Bolinski et al.

* cited by examiner

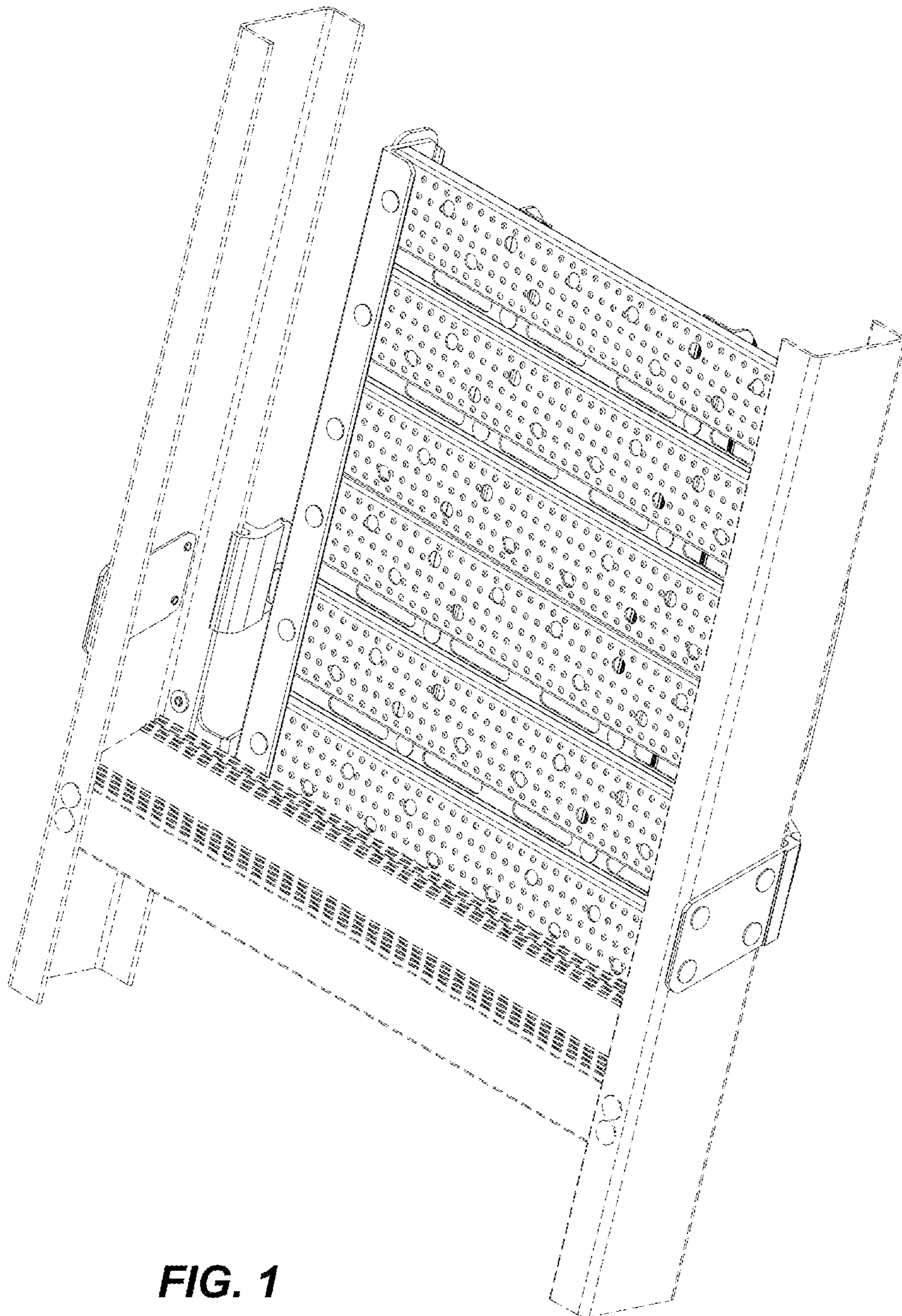


FIG. 1

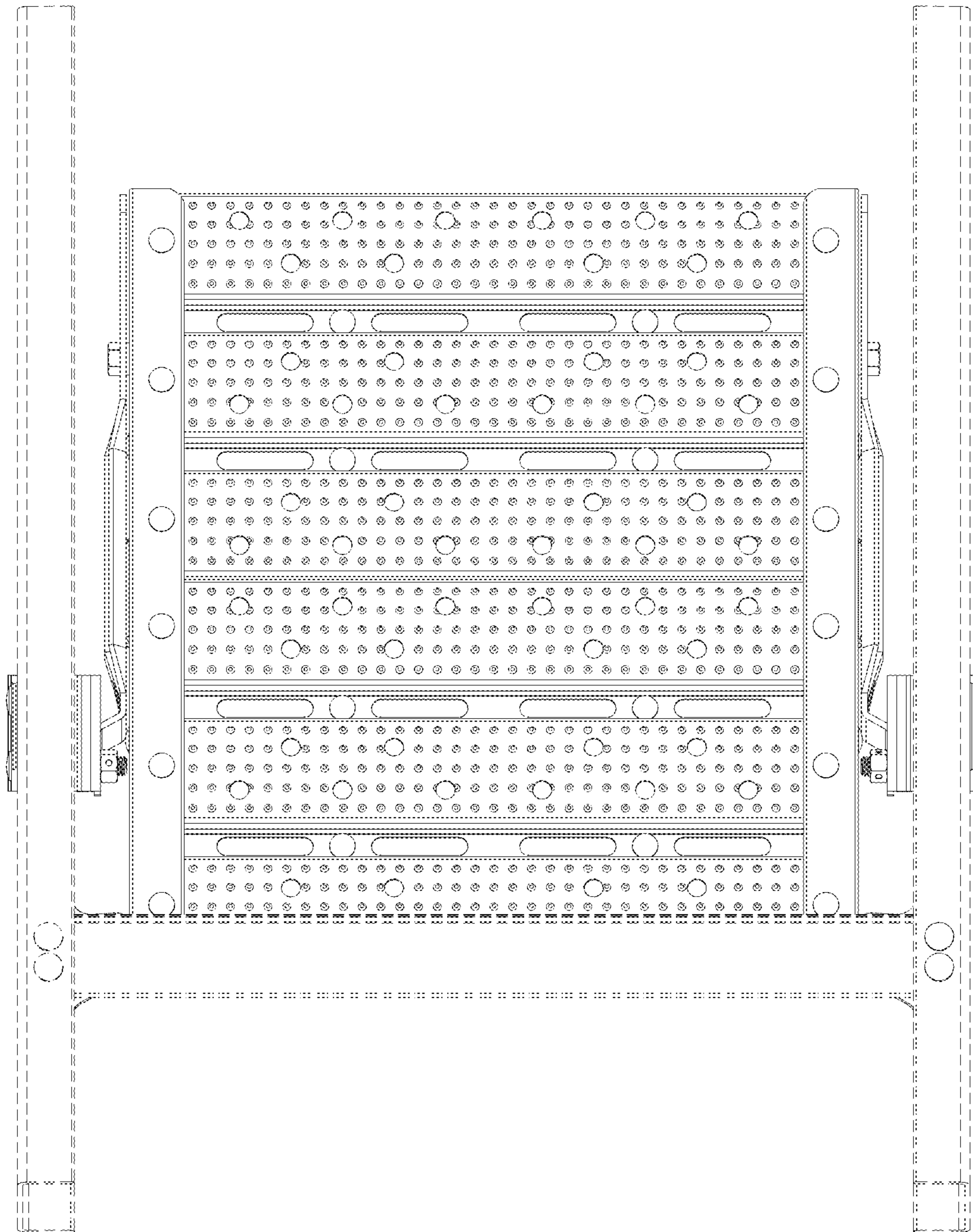


FIG. 2

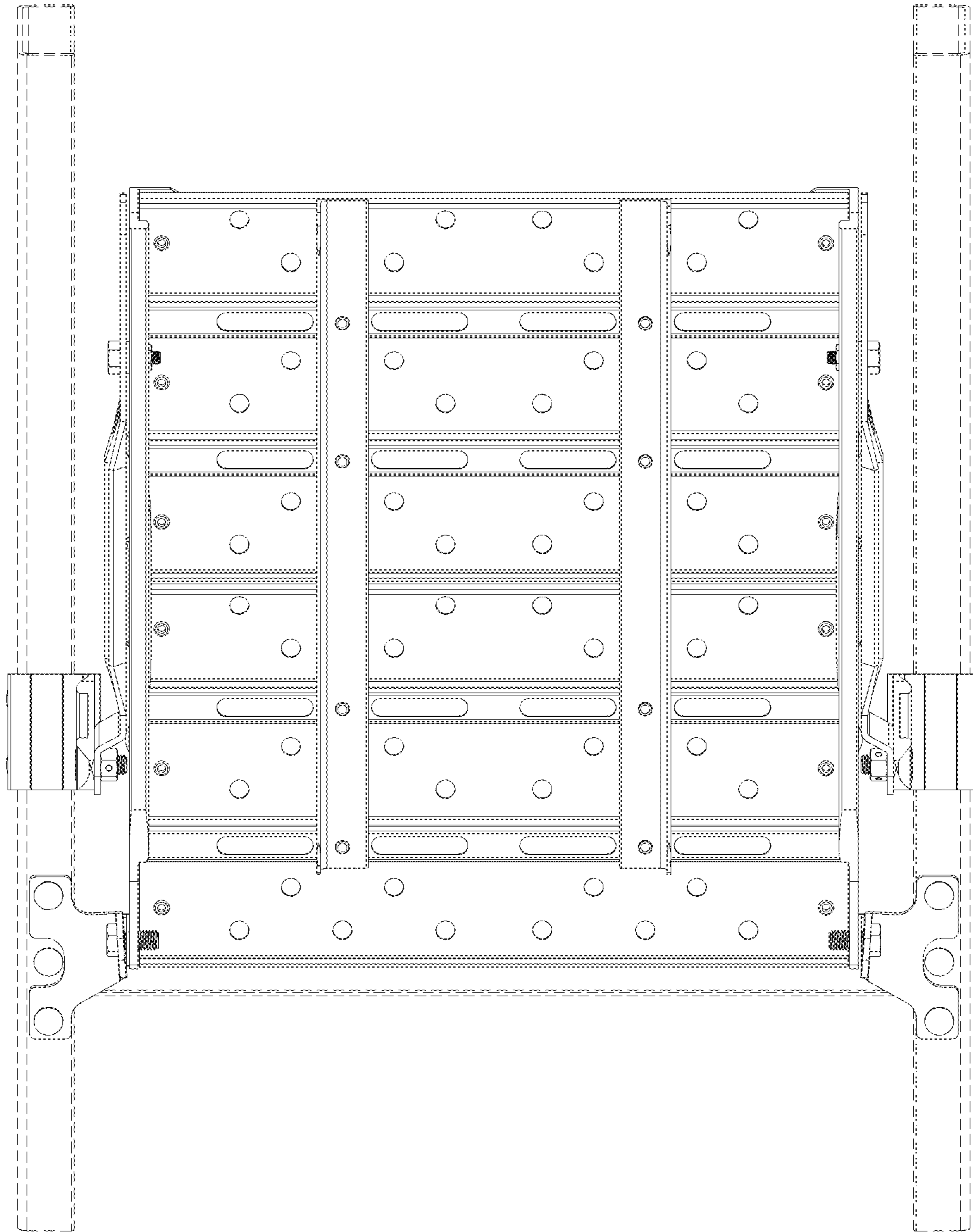


FIG. 3

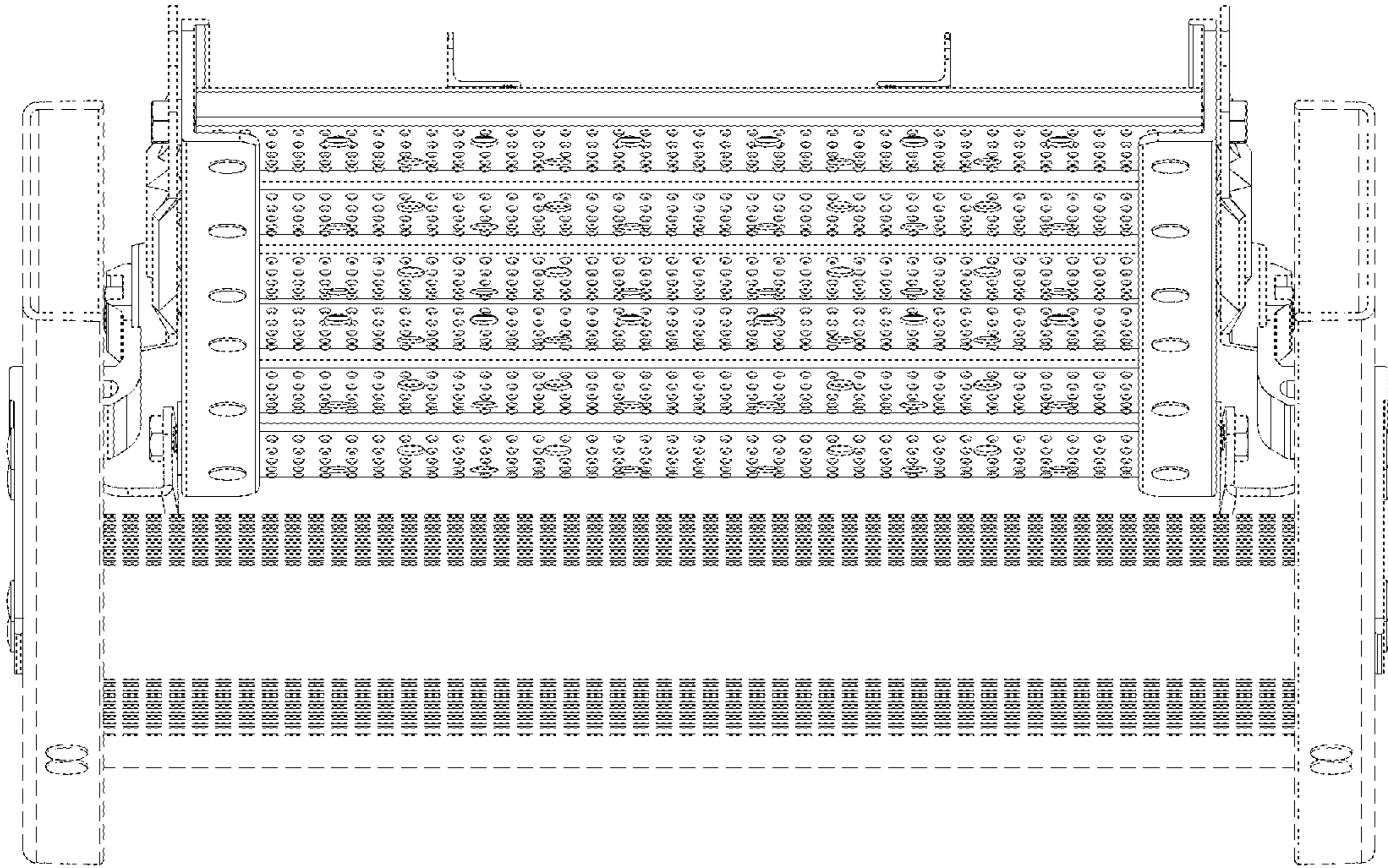


FIG. 4

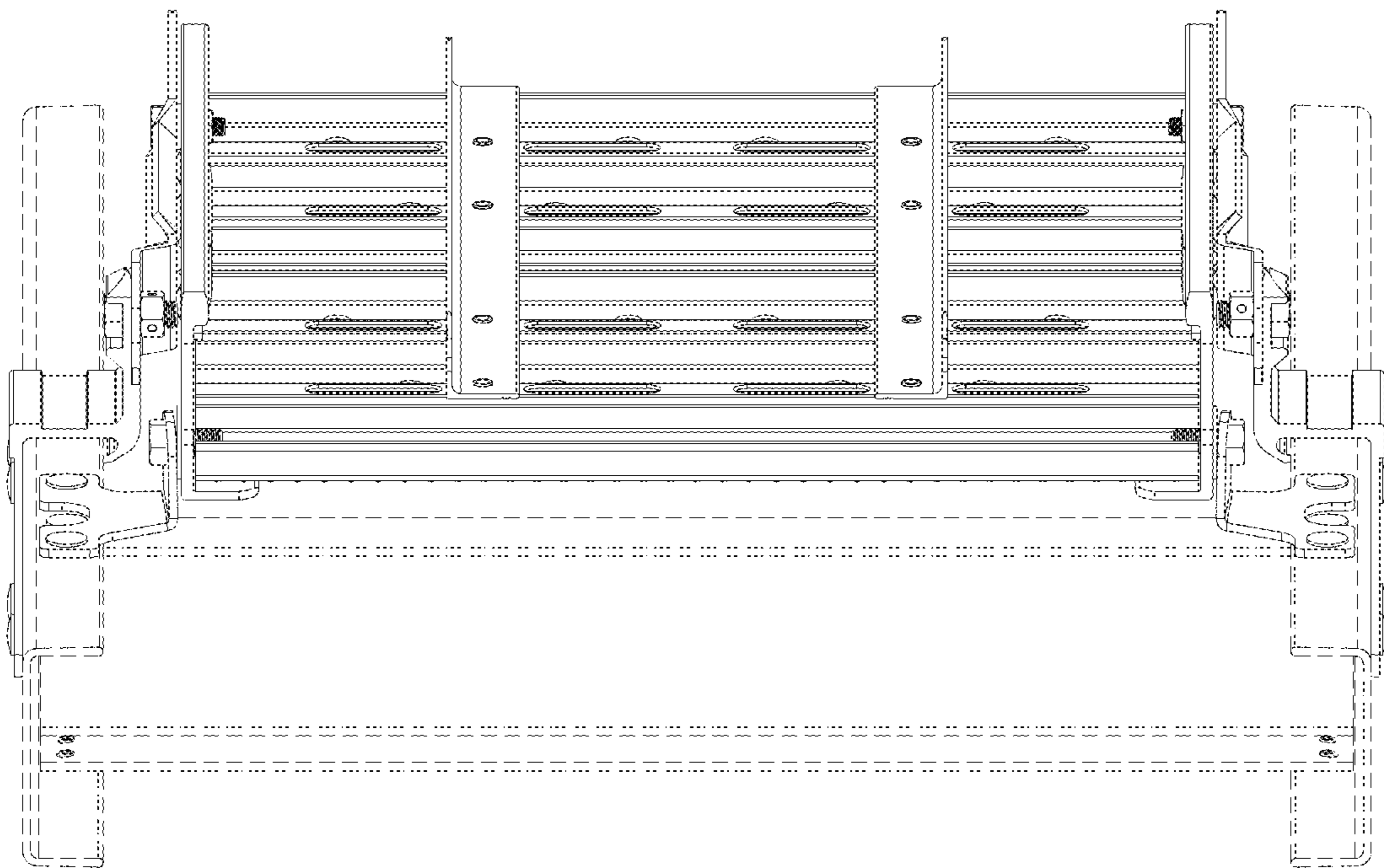


FIG. 5

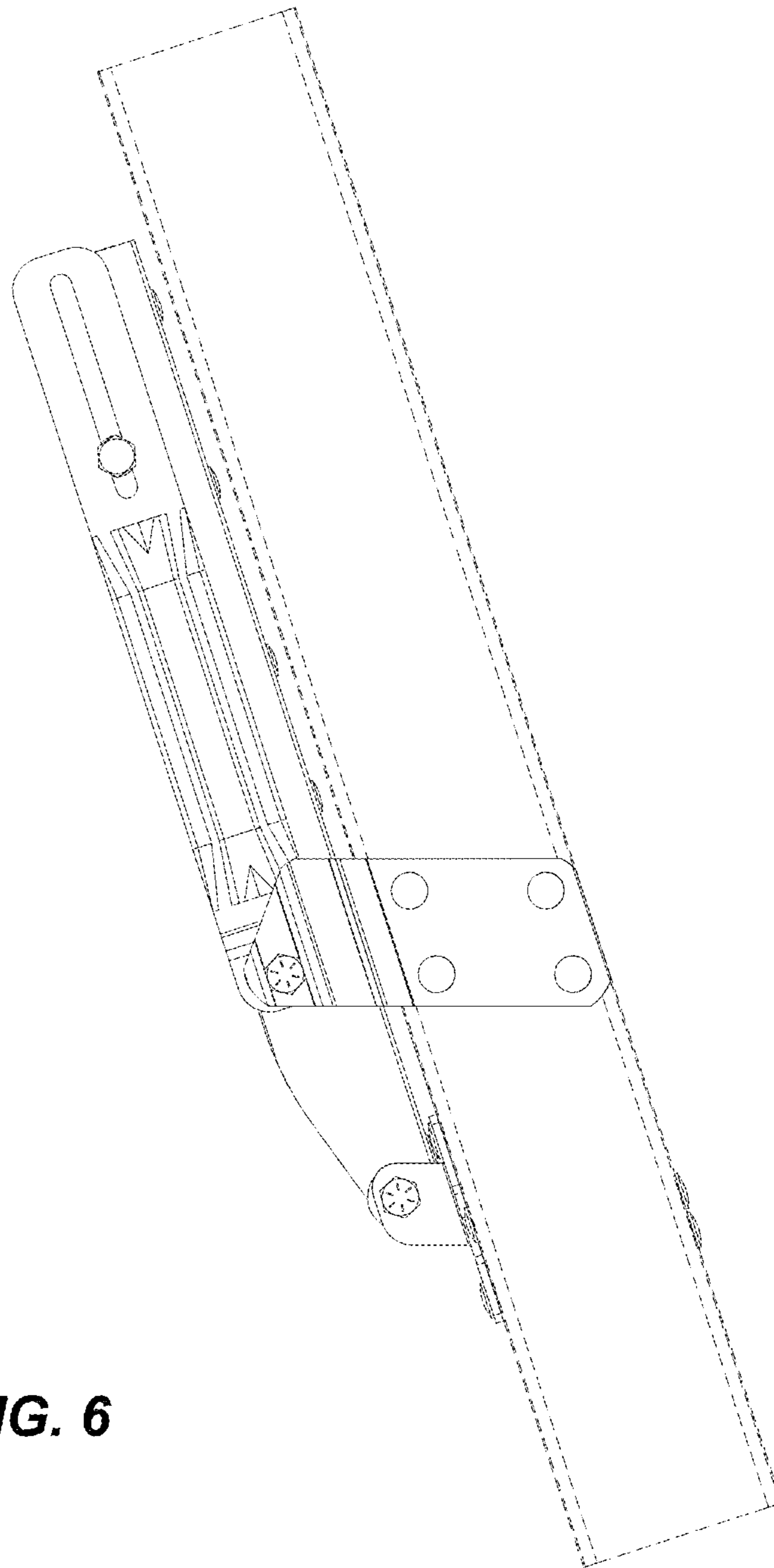


FIG. 6

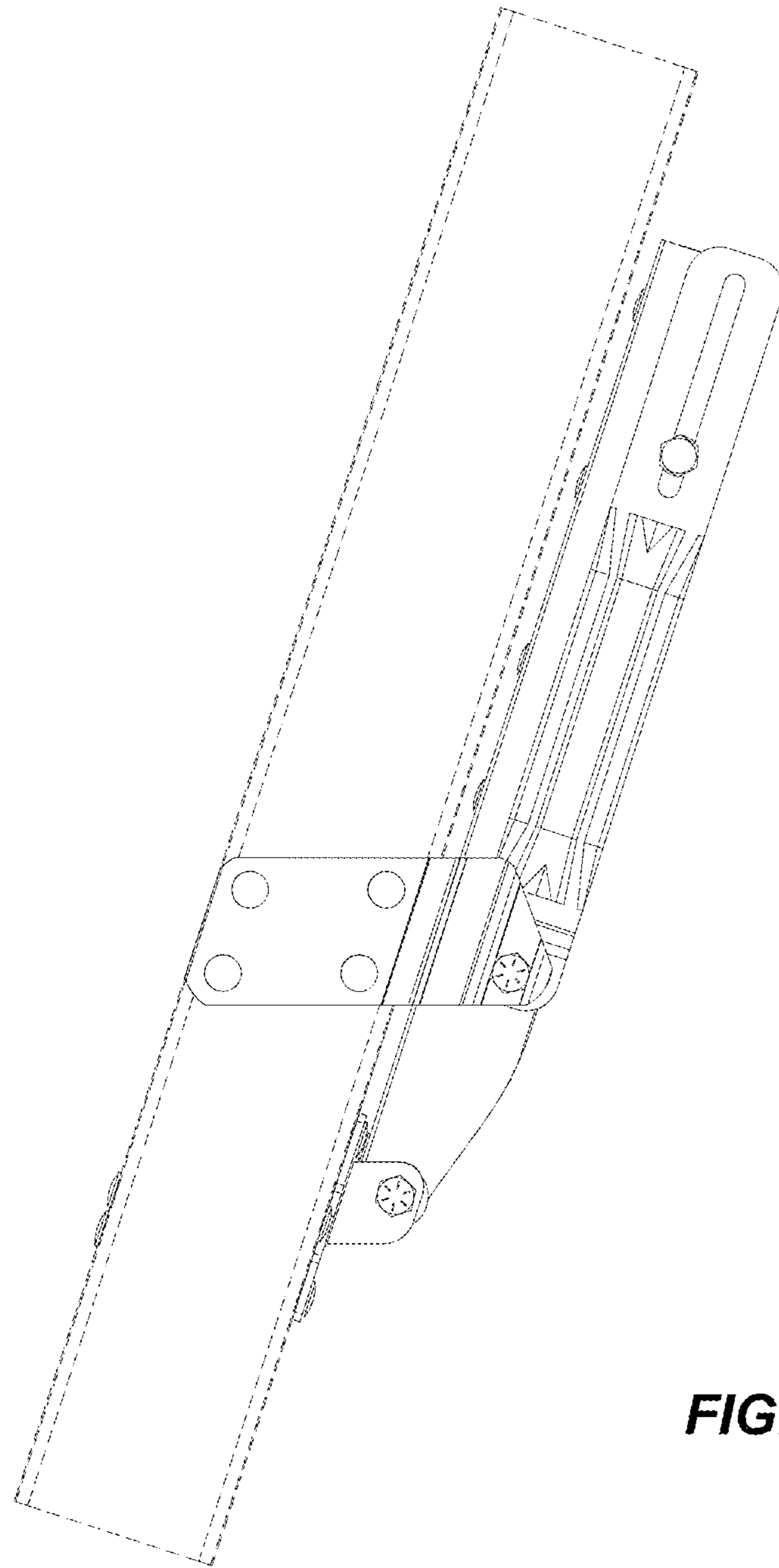


FIG. 7

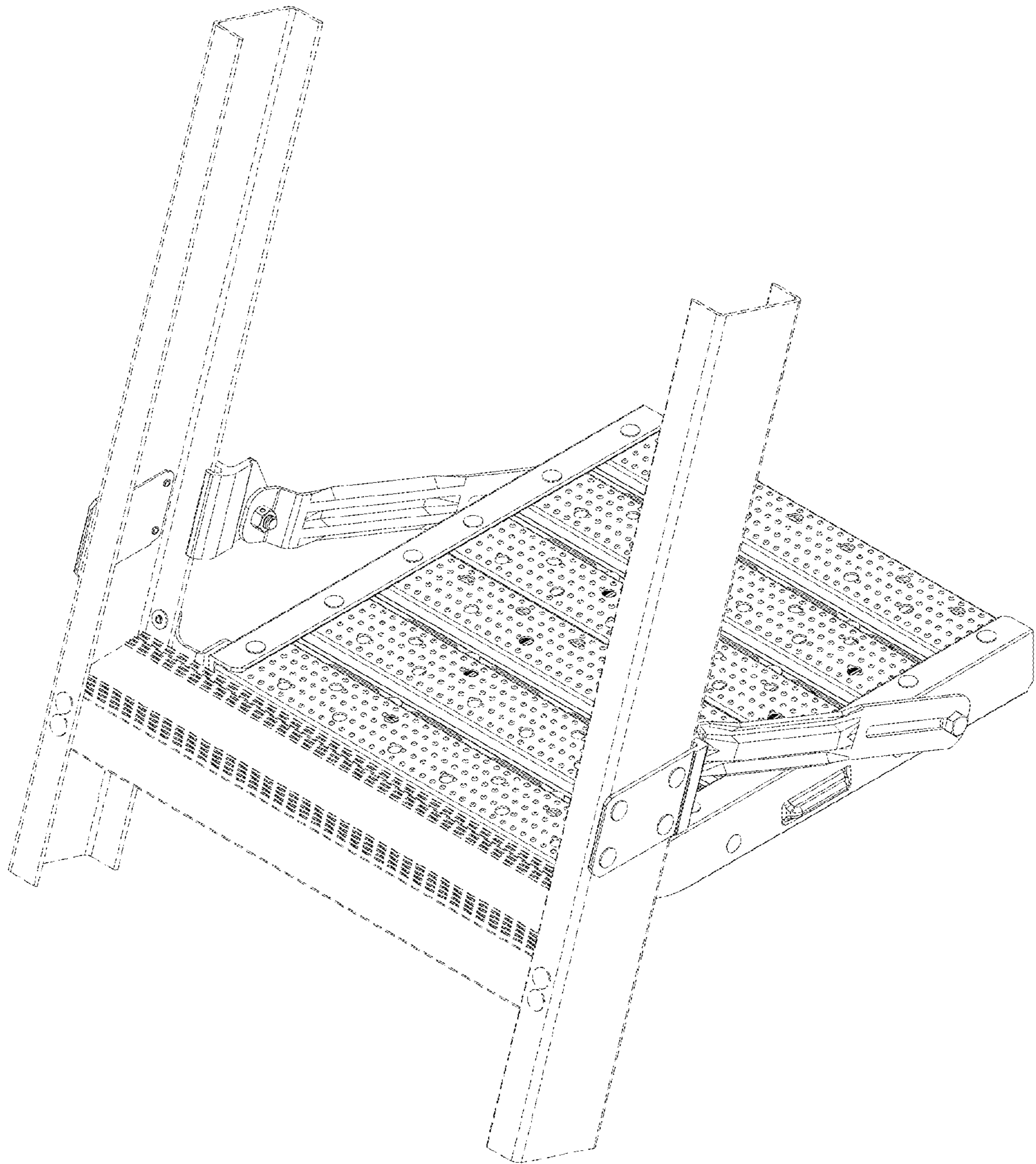


FIG. 8

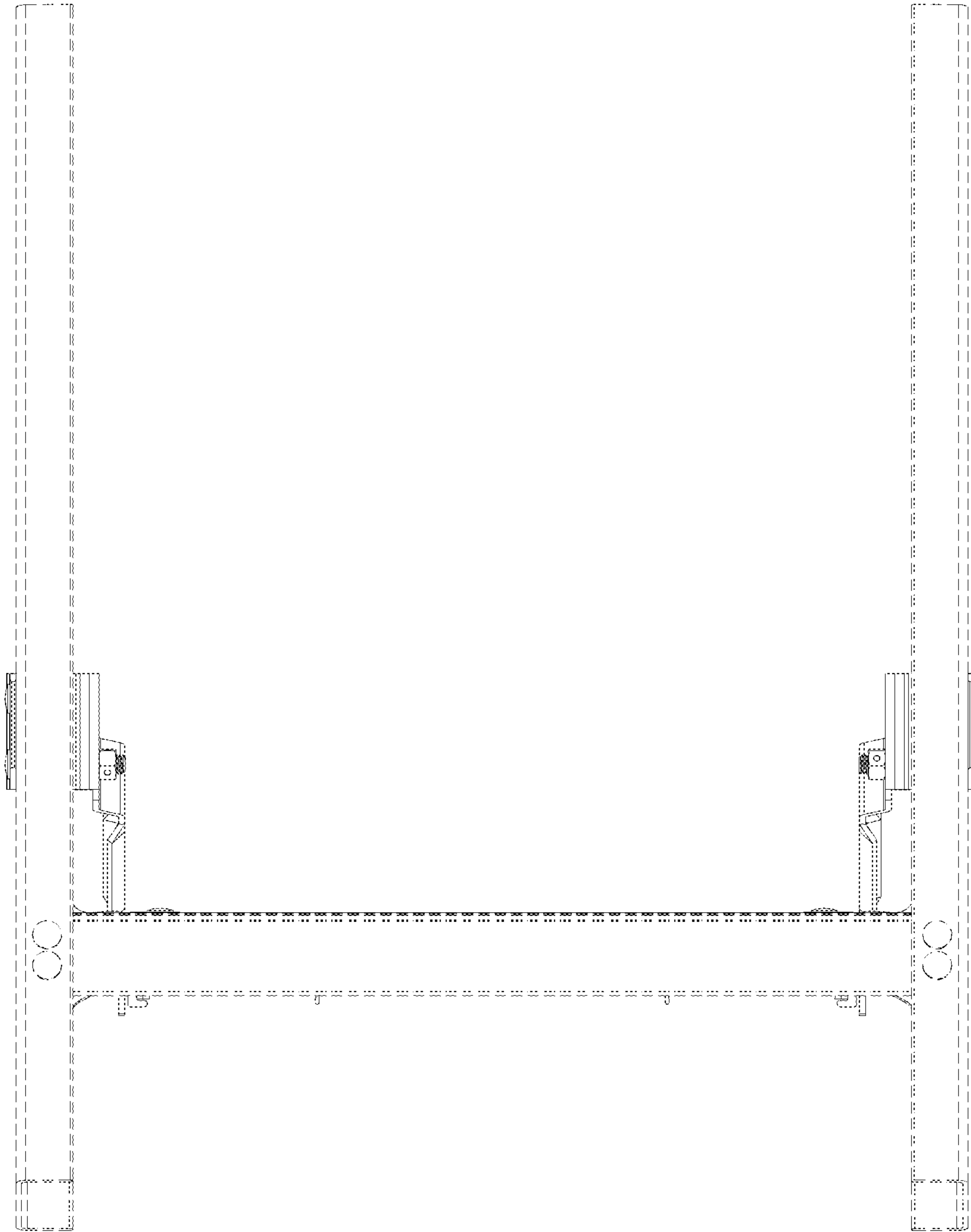


FIG. 9

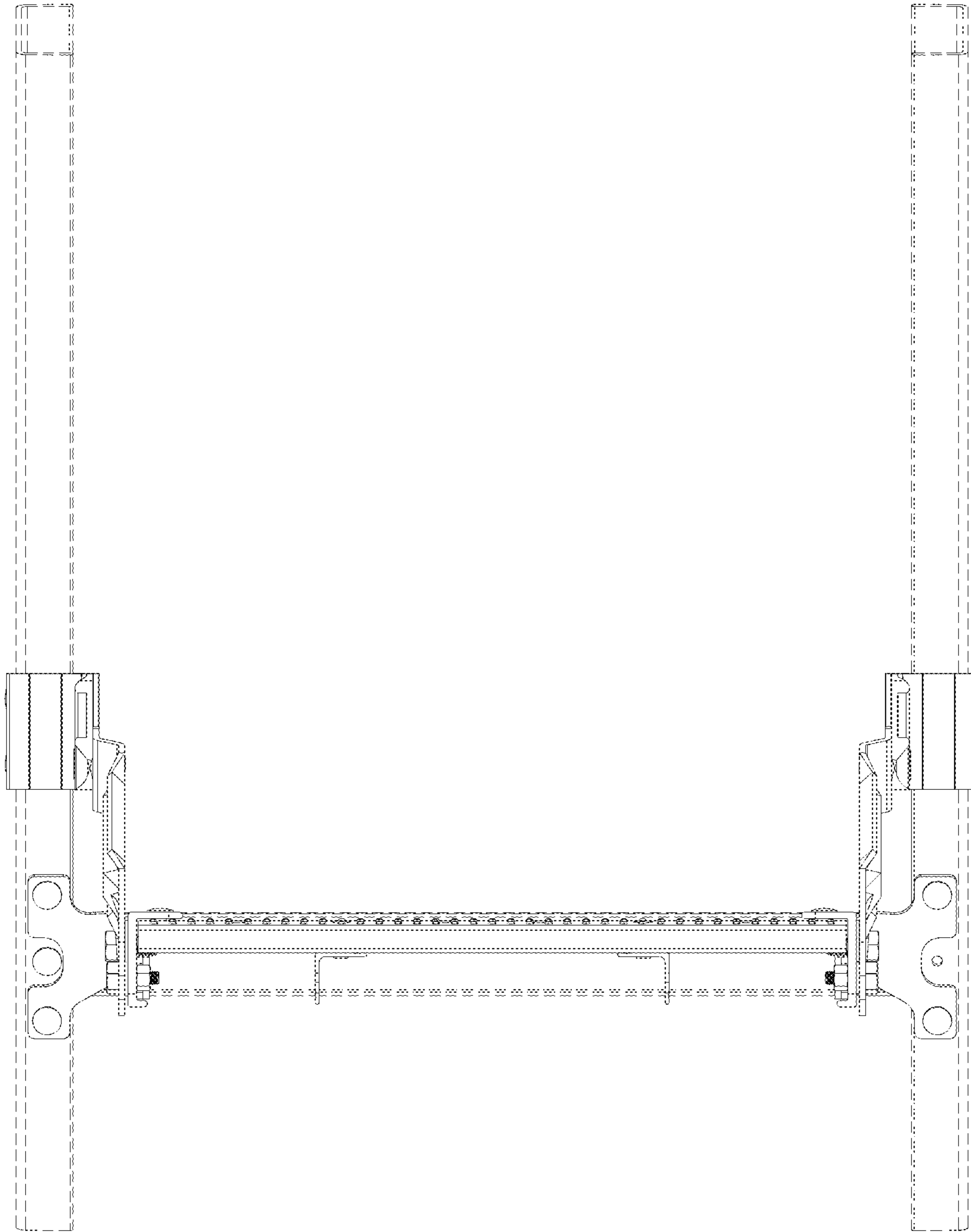


FIG. 10

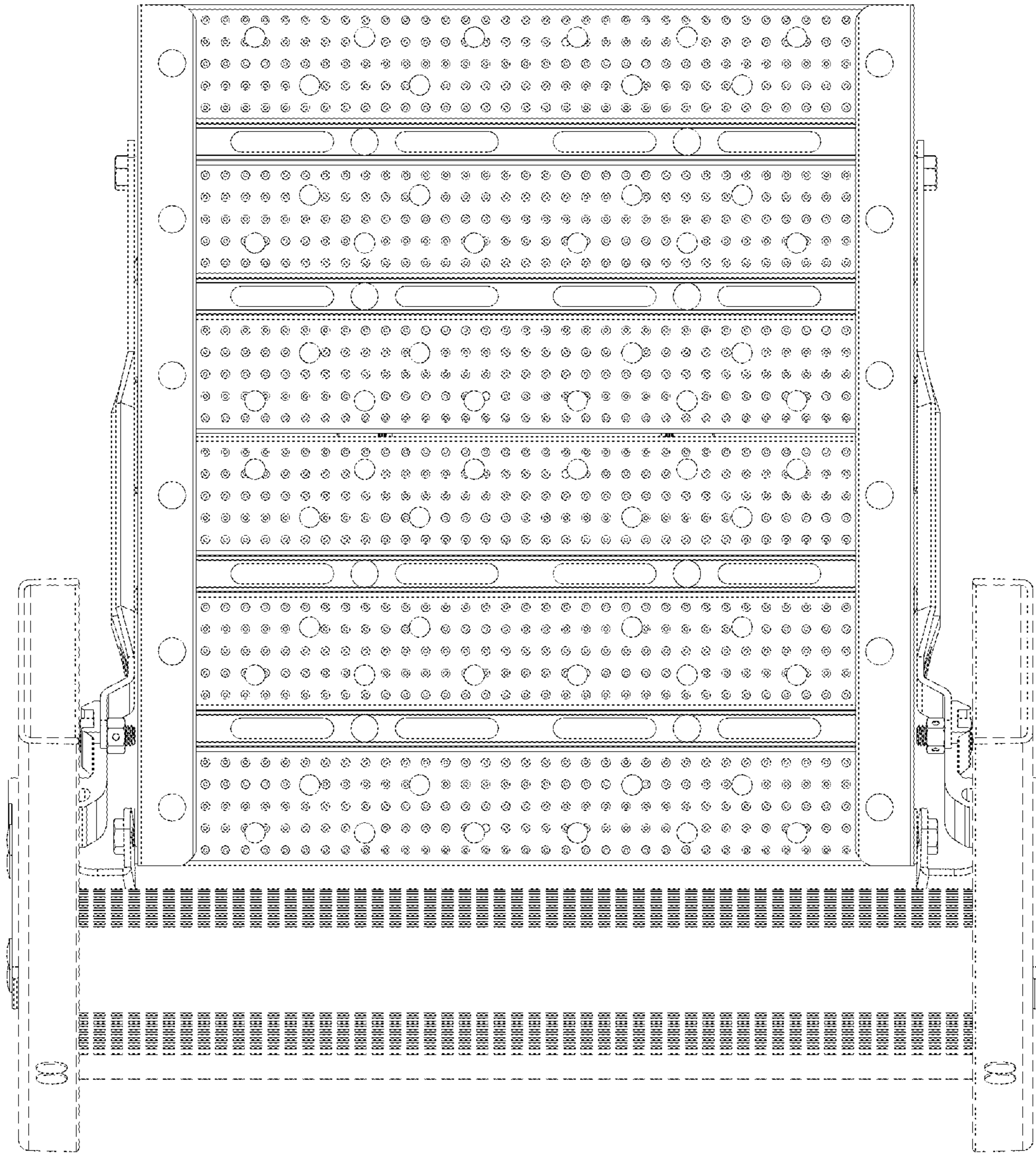


FIG. 11

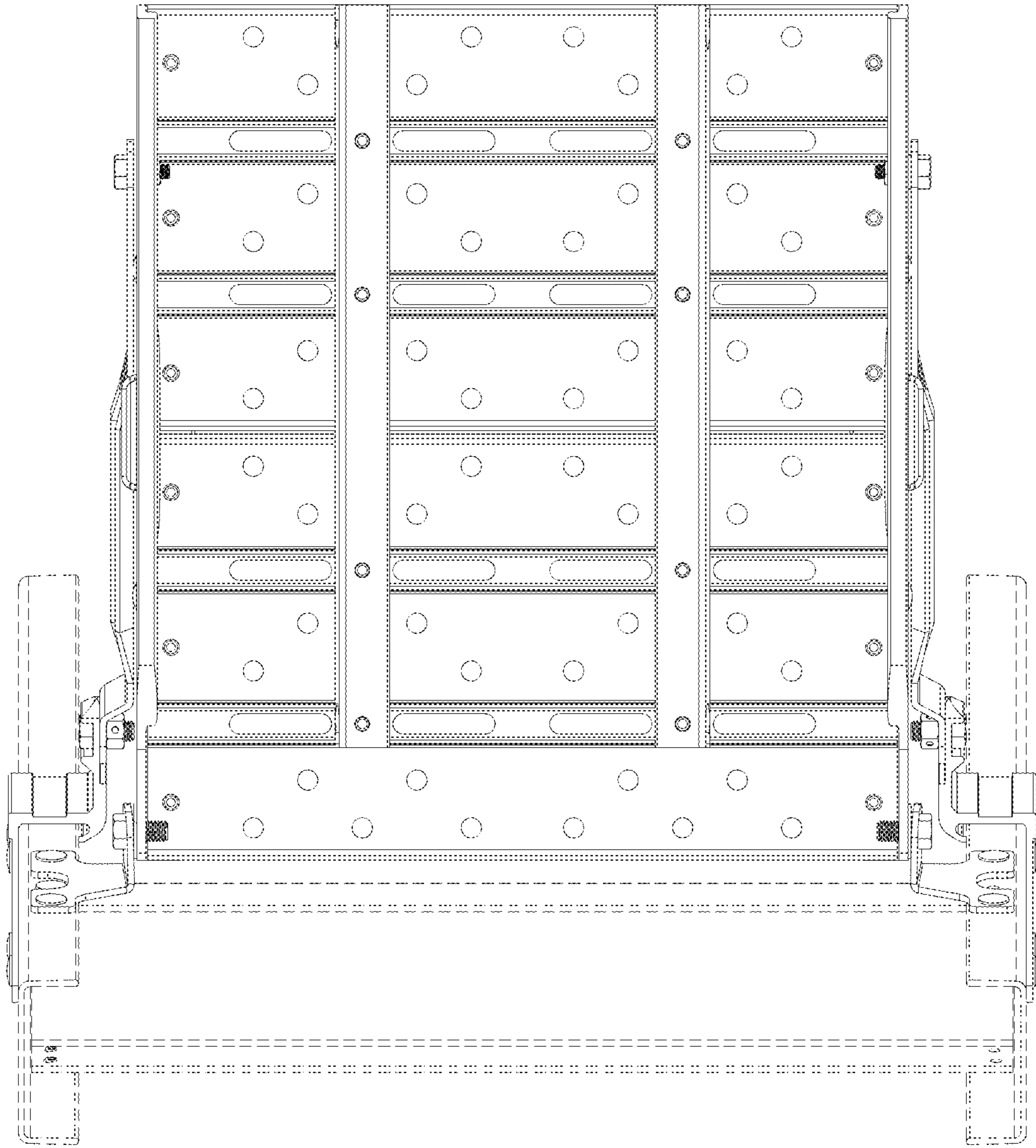


FIG. 12

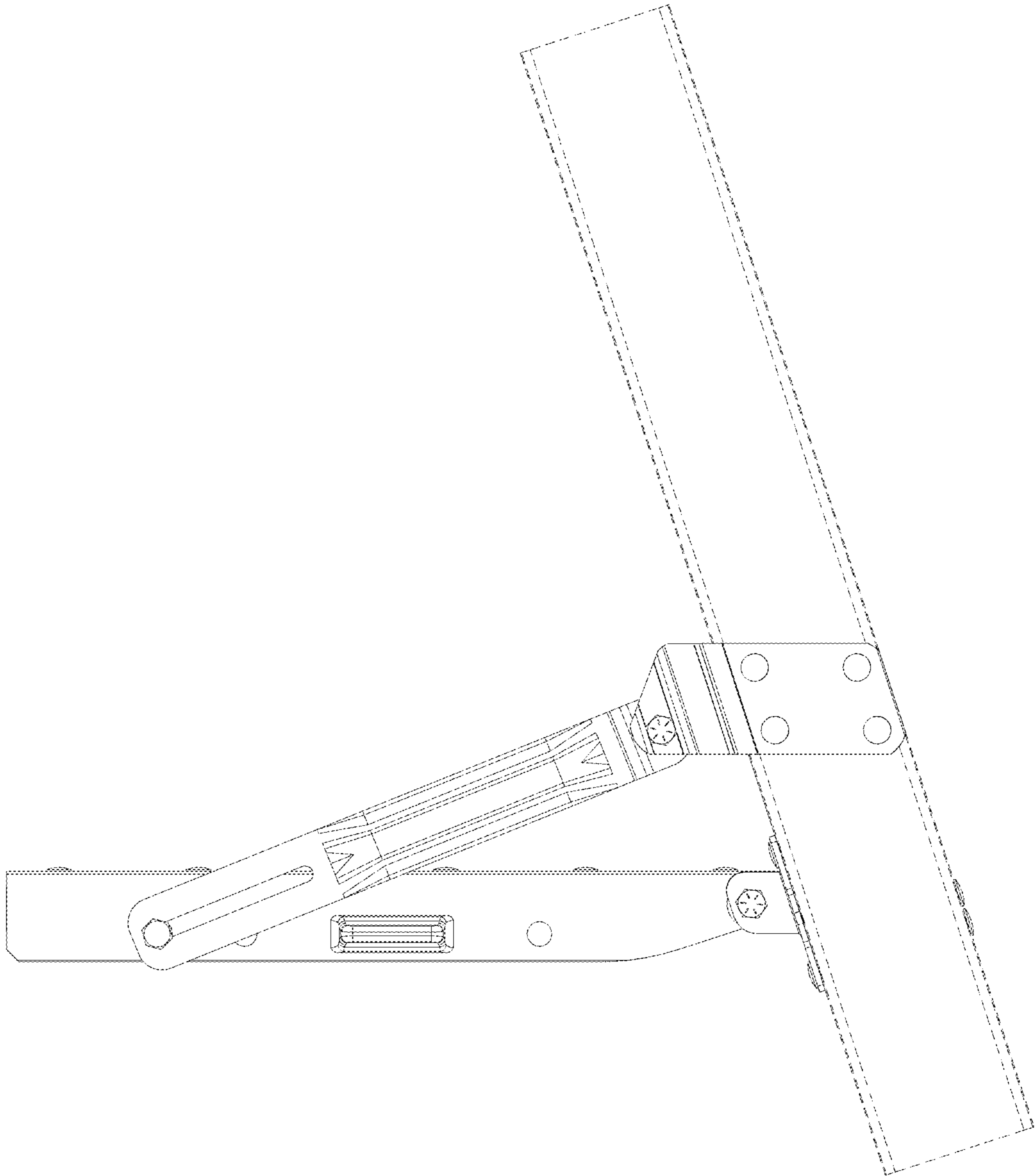


FIG. 13

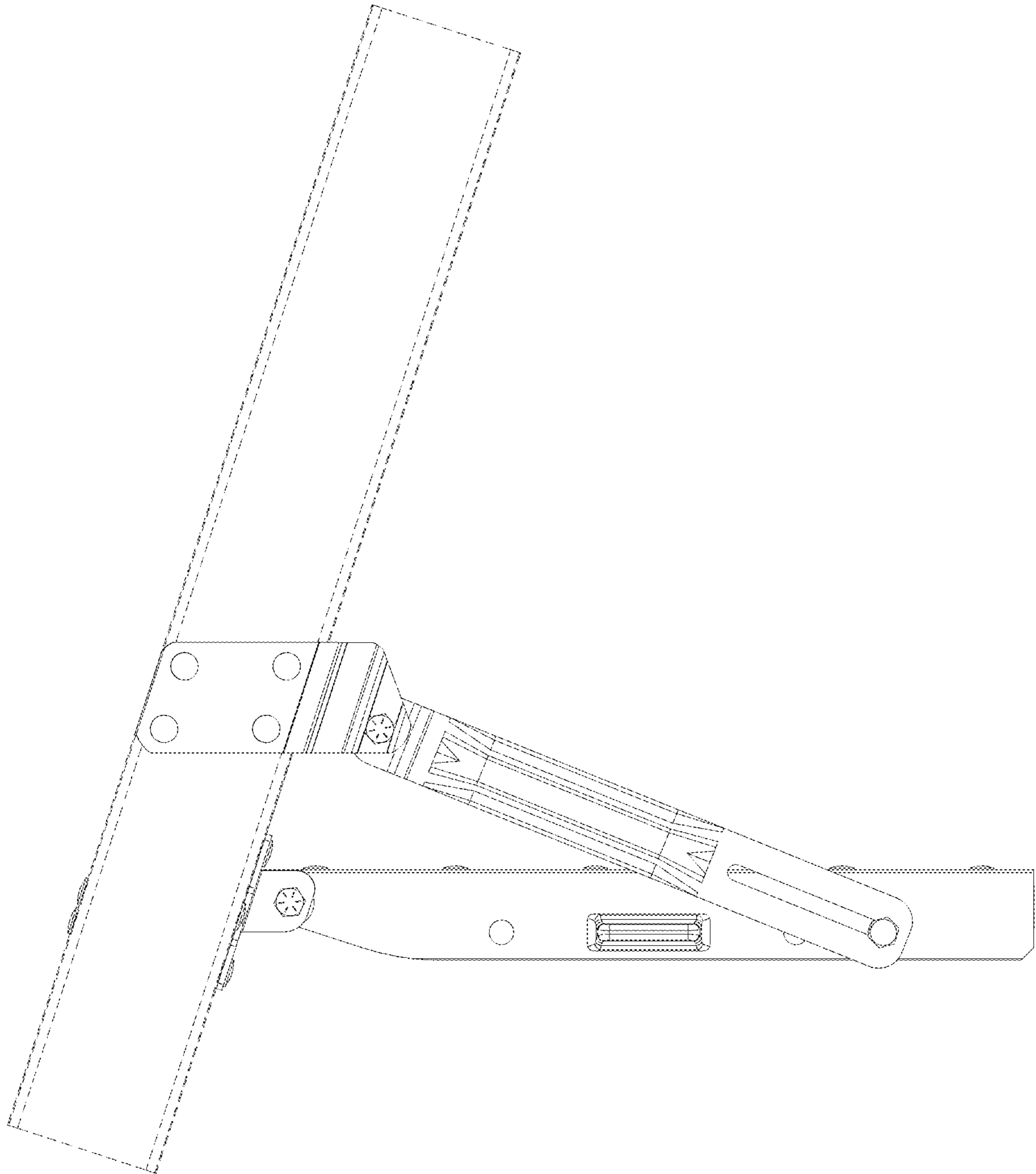


FIG. 14