



US00D914912S

(12) **United States Design Patent**  
**Barker**

(10) **Patent No.:** **US D914,912 S**  
(45) **Date of Patent:** **\*\* Mar. 30, 2021**

- (54) **LADDER WITH HINGED RUNGS OPERABLE TO COLLAPSE ON MULTIPLE AXES**
- (71) Applicant: **Jeremy Barker**, Morgan, UT (US)
- (72) Inventor: **Jeremy Barker**, Morgan, UT (US)
- (\*\*) Term: **15 Years**
- (21) Appl. No.: **29/688,205**
- (22) Filed: **Apr. 18, 2019**
- (51) **LOC (13) Cl.** ..... **25-04**
- (52) **U.S. Cl.**  
USPC ..... **D25/65**
- (58) **Field of Classification Search**  
USPC ..... D25/62-65, 68, 69; 248/210; 182/165, 182/22, 180.1, 124, 115, 173, 23, 106, 182/207, 163  
CPC ..... E06C 1/393; E06C 1/18; E06C 1/39  
See application file for complete search history.

9,016,434 B2 \* 4/2015 Moss ..... E06C 7/182  
182/106  
9,797,194 B2 \* 10/2017 Moss ..... E06C 7/423  
2004/0129497 A1 \* 7/2004 Weiss ..... E06C 1/32  
182/163  
2005/0274571 A1 \* 12/2005 Simpson ..... E06C 7/083  
182/23

\* cited by examiner

*Primary Examiner* — Gino Colan

(74) *Attorney, Agent, or Firm* — Steven Rinehart

(57) **CLAIM**

The ornamental design for a ladder with hinged rungs operable to collapse on multiple axes, as shown and described.

**DESCRIPTION**

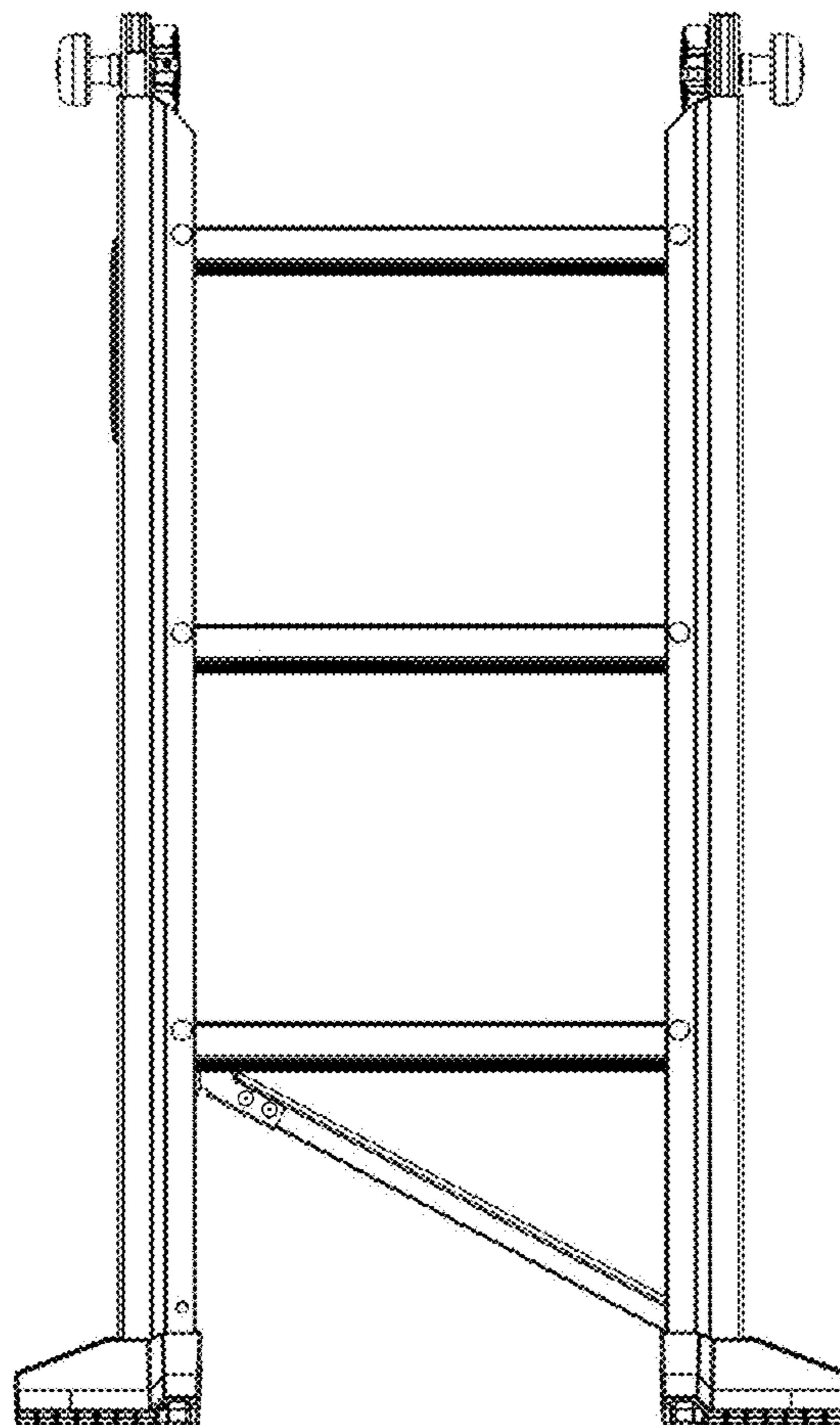
FIG. 1 is a front view of a ladder with hinged rungs operable to collapse on multiple axes showing my design;  
 FIG. 2 a top view thereof;  
 FIG. 3 a bottom view thereof;  
 FIG. 4 a rear view thereof;  
 FIG. 5 a rear right perspective view thereof;  
 FIG. 6 a rear left perspective view thereof;  
 FIG. 7 a right view thereof; and,  
 FIG. 8 a left view thereof.

(56) **References Cited**

**U.S. PATENT DOCUMENTS**

4,376,470 A \* 3/1983 Ashton ..... E06C 1/22  
182/207  
D576,291 S \* 9/2008 Latimer ..... D25/65

**1 Claim, 8 Drawing Sheets**



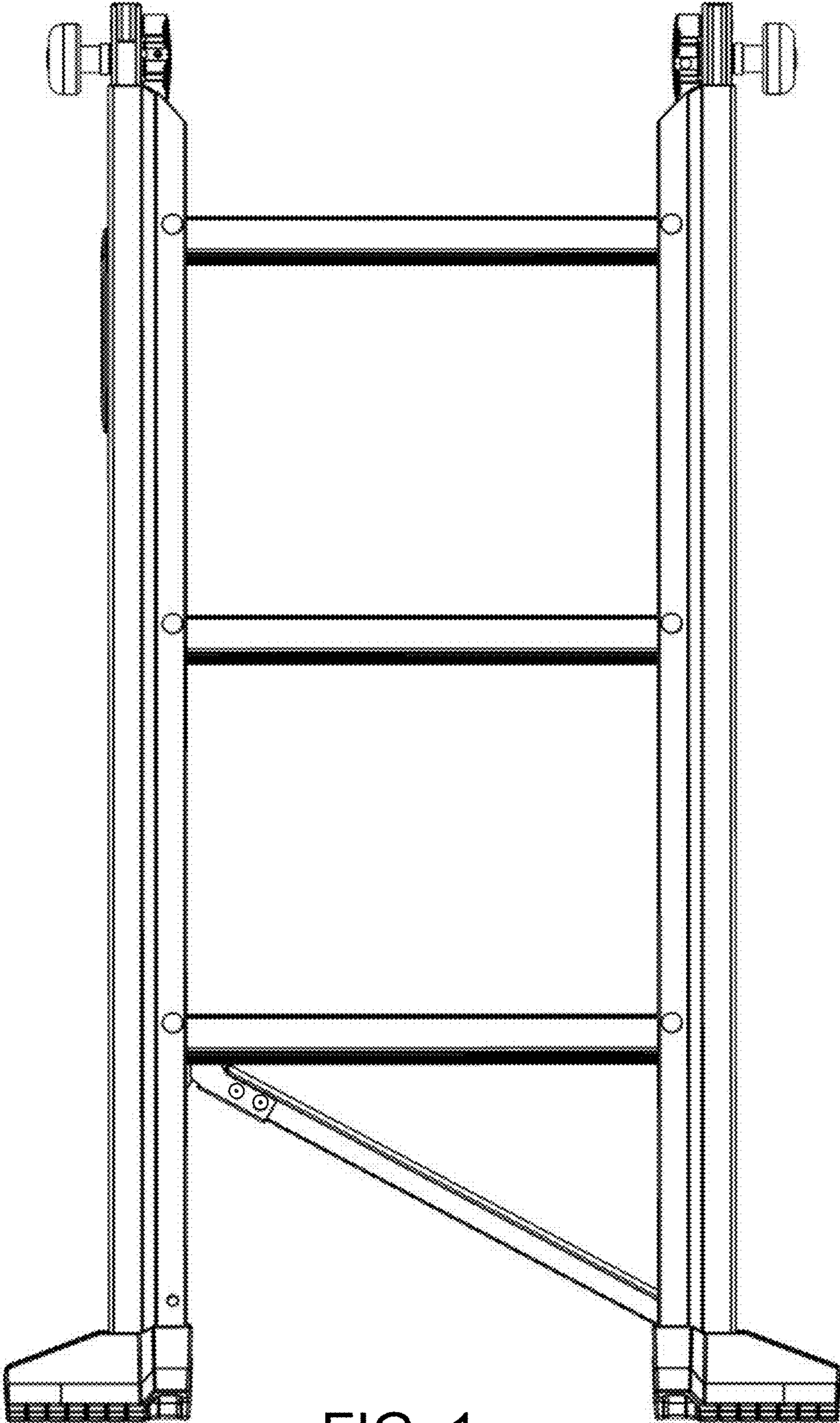


FIG. 1



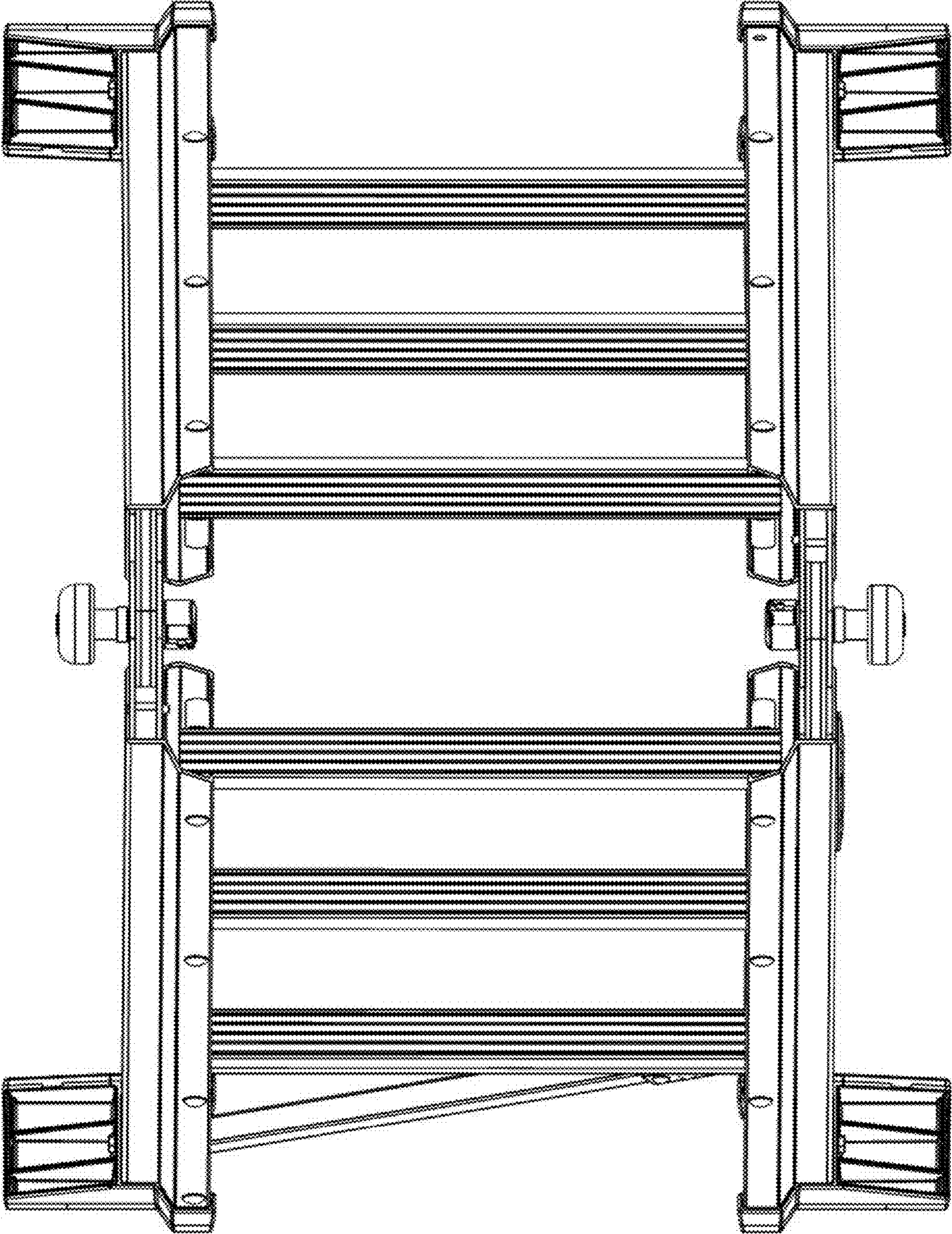


FIG. 2



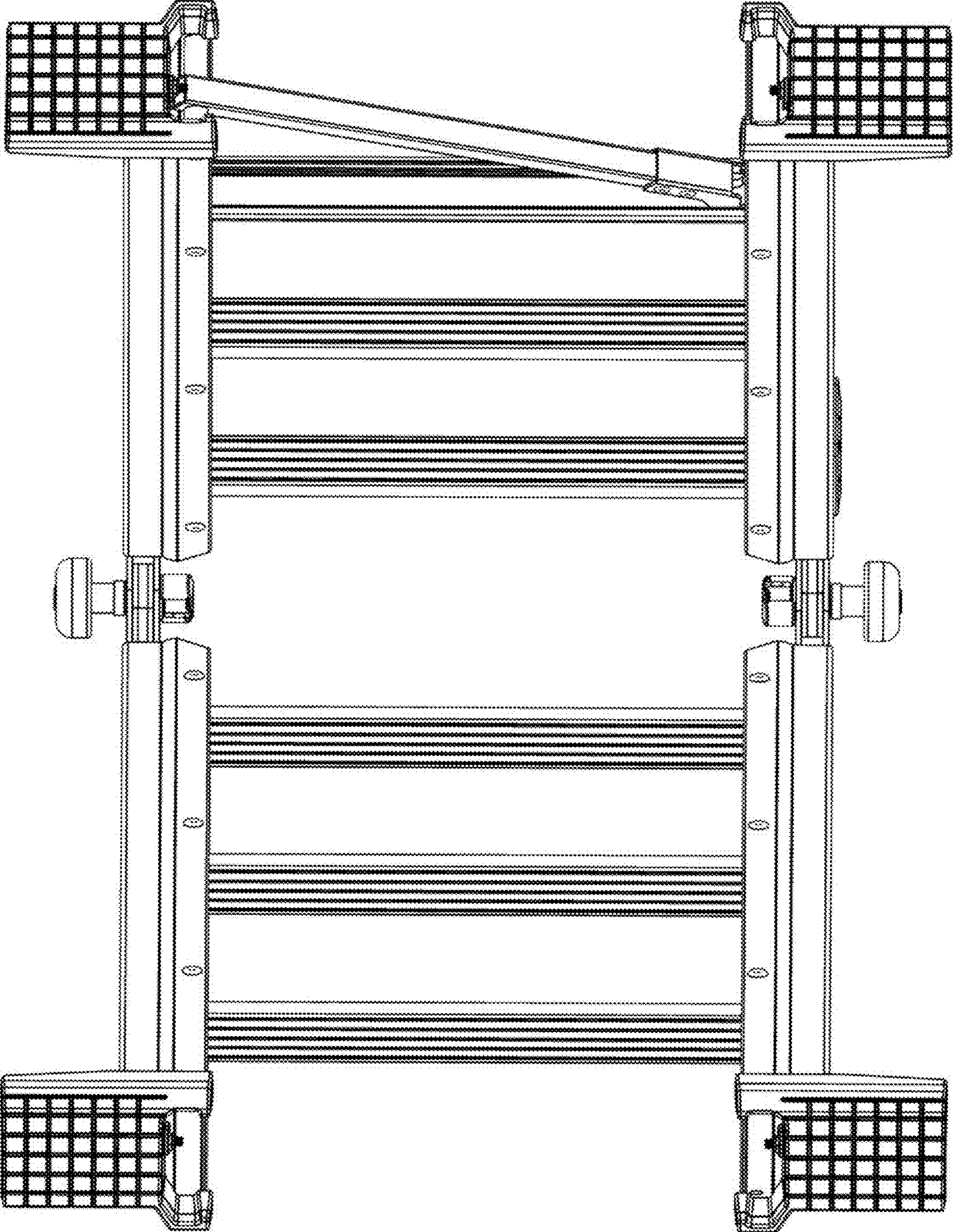


FIG. 3



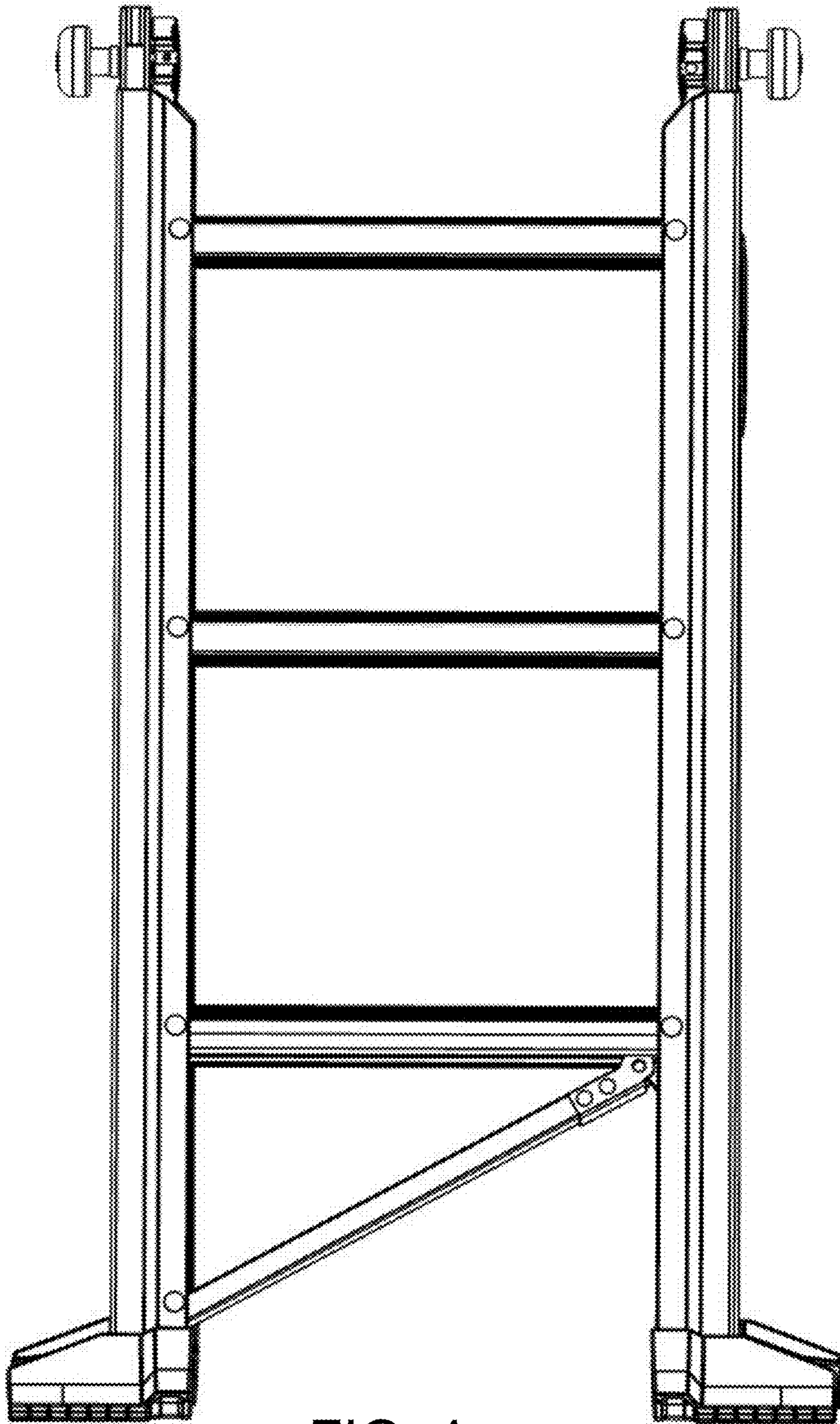


FIG. 4

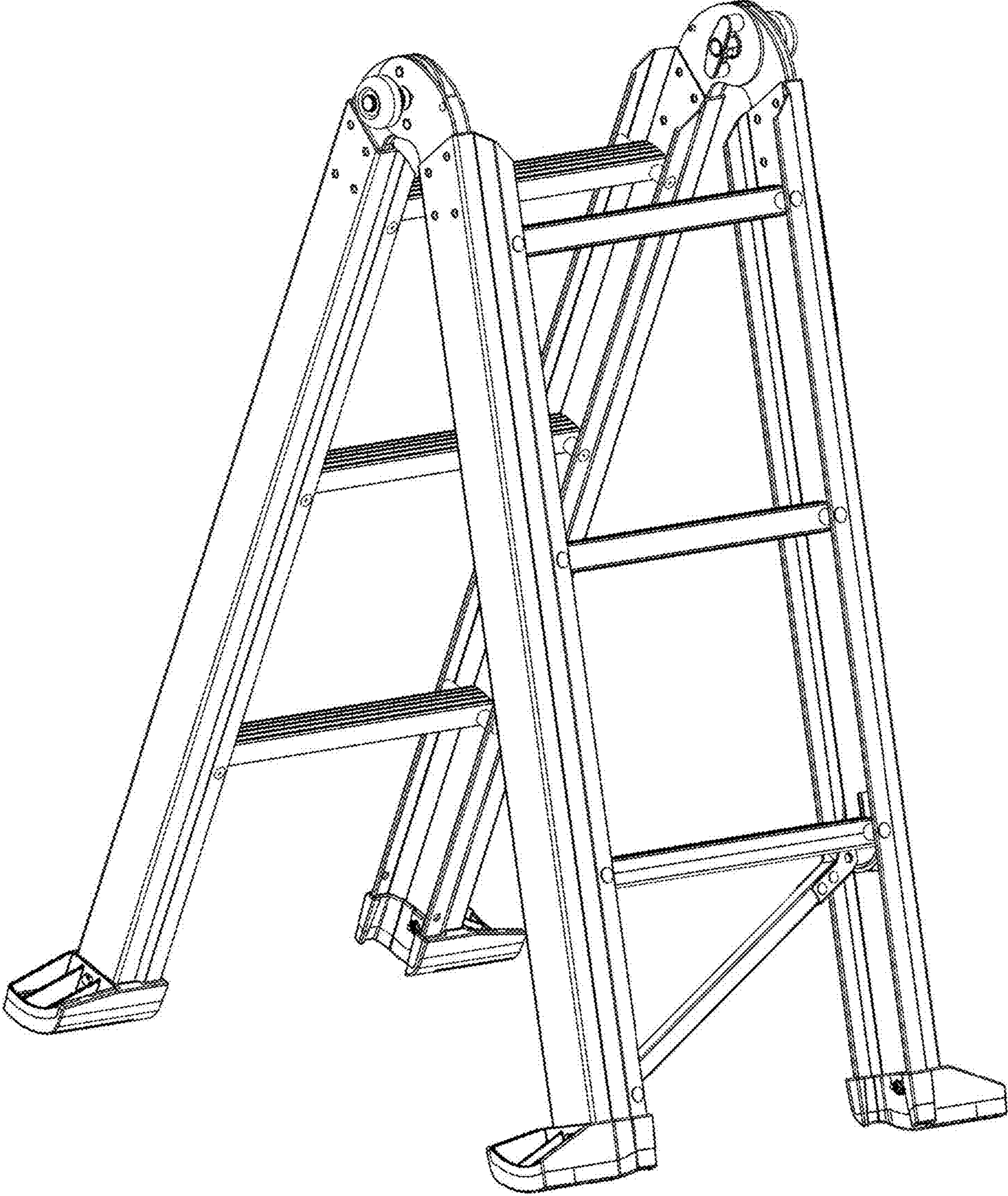


FIG. 5



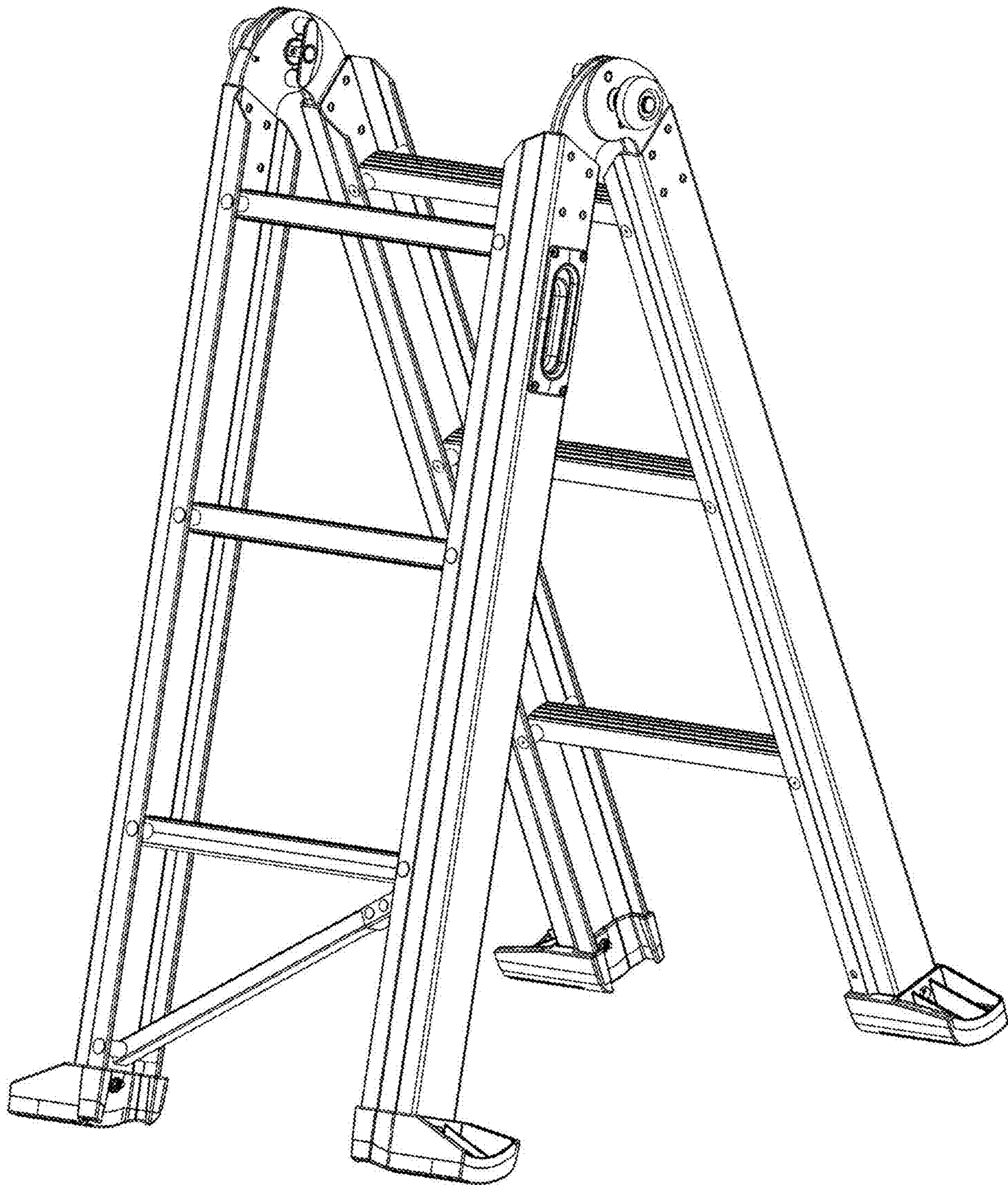


FIG. 6

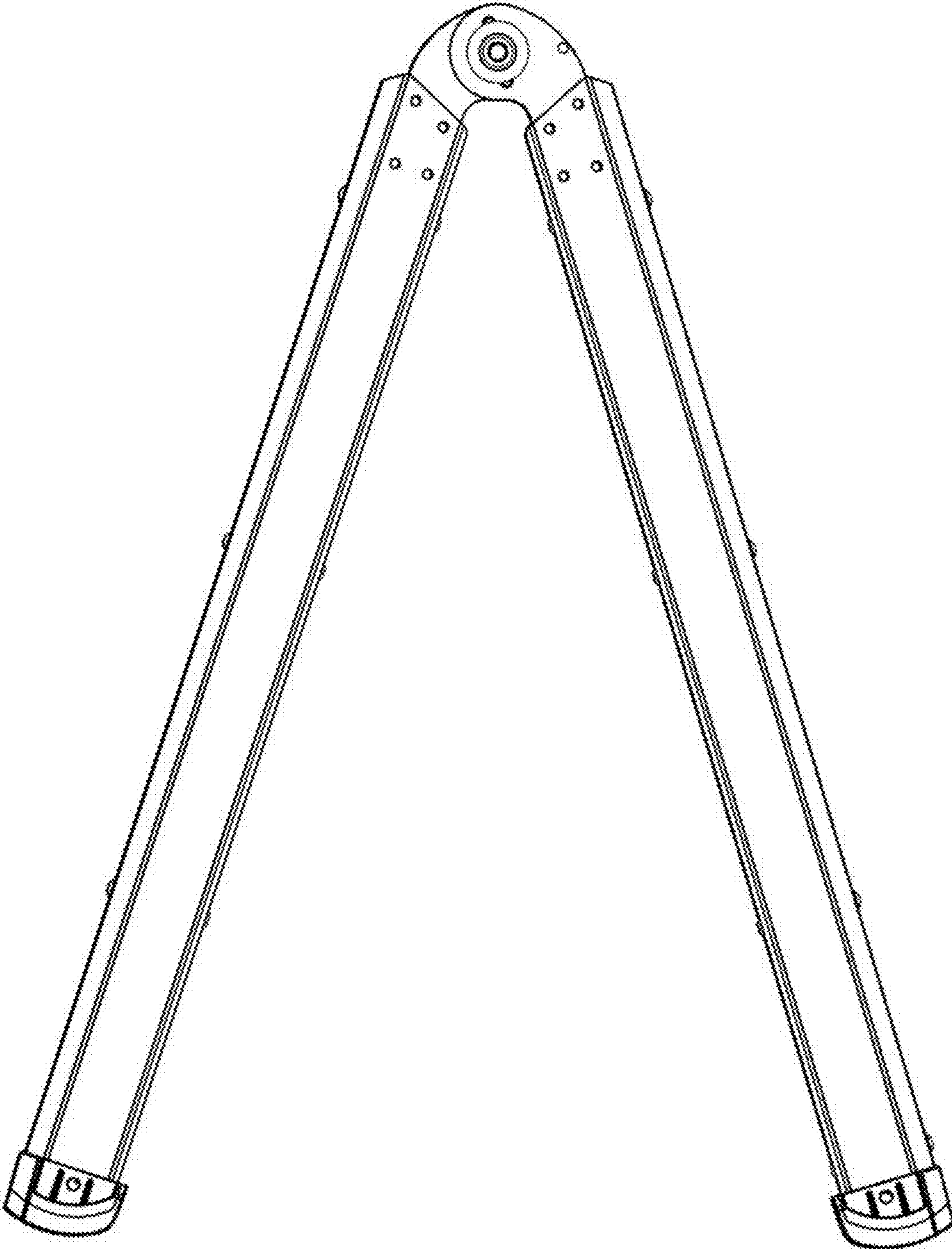


FIG. 7



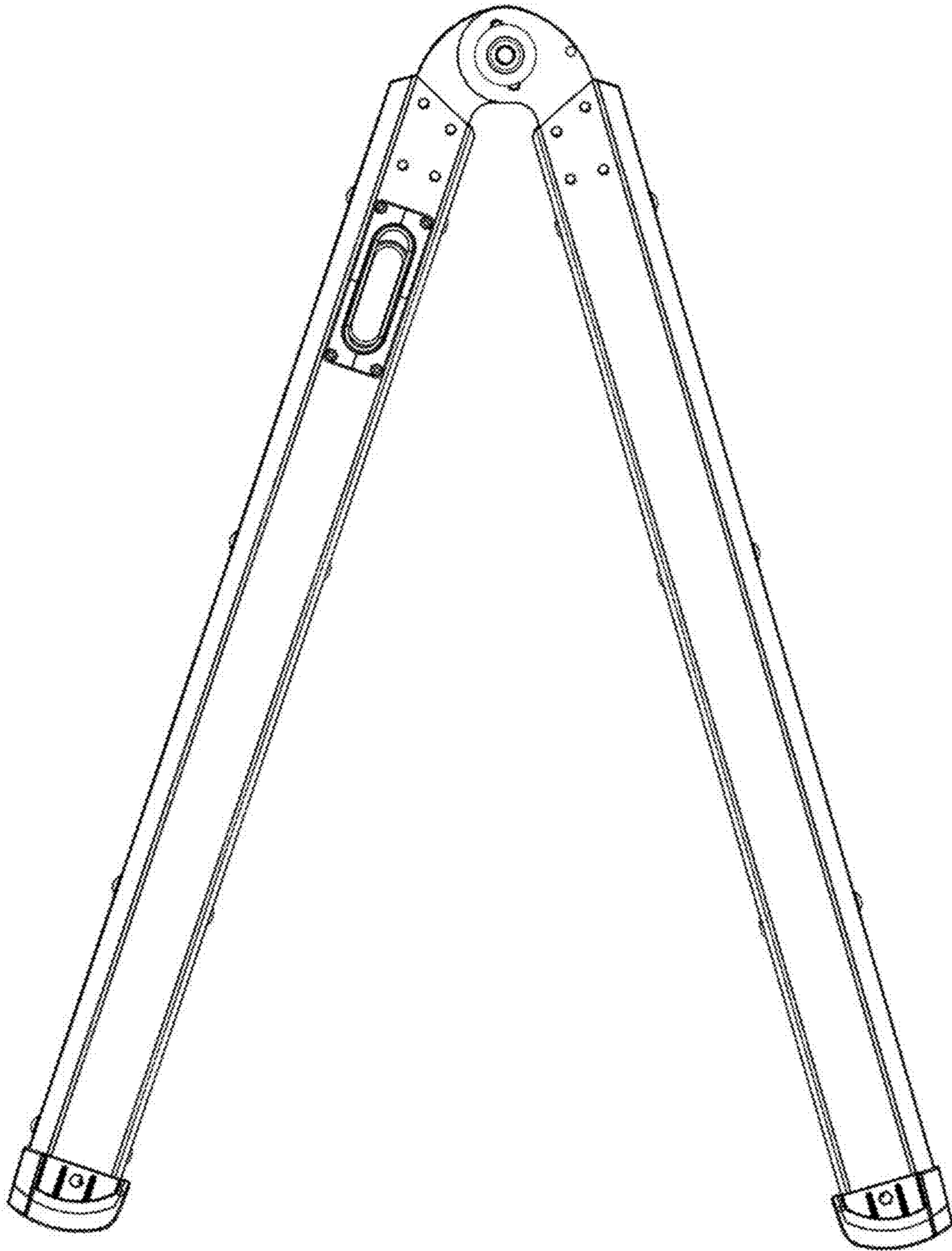


FIG. 8