



US00D914909S

(12) **United States Design Patent**  
**Marran et al.**

(10) **Patent No.:** **US D914,909 S**

(45) **Date of Patent:** **\*\* Mar. 30, 2021**

(54) **FLUIDIC COUPLER**

(71) Applicant: **LIFE TECHNOLOGIES CORPORATION**, Carlsbad, CA (US)

(72) Inventors: **David Marran**, Durham, CT (US); **Jon A. Hoshizaki**, Cupertino, CA (US); **Earl Zergiebel**, Guilford, CT (US); **Mark T. Reed**, Menlo Park, CA (US)

(73) Assignee: **LIFE TECHNOLOGIES CORPORATION**, Carlsbad, CA (US)

(\*\*) Term: **15 Years**

(21) Appl. No.: **29/660,063**

(22) Filed: **Aug. 16, 2018**

(51) **LOC (13) Cl.** ..... **24-99**

(52) **U.S. Cl.**  
USPC ..... **D24/231**

(58) **Field of Classification Search**  
USPC ..... D24/231, 155, 129, 227, 224;  
D13/139.6; D23/262; D8/394, 382;  
D15/28; D10/104.1; D12/162, 48  
CPC ..... B60D 1/60; G01N 21/15  
See application file for complete search history.

(56) **References Cited**

**U.S. PATENT DOCUMENTS**

|              |         |          |       |           |
|--------------|---------|----------|-------|-----------|
| D354,133 S * | 1/1995  | Scavitto | ..... | D23/262   |
| D418,074 S * | 12/1999 | Hicks    | ..... | D10/104.1 |
| D462,768 S * | 9/2002  | Meyer    | ..... | D24/155   |
| D477,875 S * | 7/2003  | Meyer    | ..... | D24/155   |
| D593,849 S * | 6/2009  | Balemi   | ..... | D15/28    |
| D620,839 S * | 8/2010  | Smyth    | ..... | D12/48    |

|                |         |            |       |                       |
|----------------|---------|------------|-------|-----------------------|
| D638,136 S *   | 5/2011  | Parunak    | ..... | D24/224               |
| D653,102 S *   | 1/2012  | Kalous     | ..... | D8/382                |
| 8,697,452 B2 * | 4/2014  | Linton     | ..... | G01N 21/15<br>436/164 |
| D717,637 S *   | 11/2014 | Rast       | ..... | D8/382                |
| D743,307 S *   | 11/2015 | Bale       | ..... | B60D 1/60<br>D12/162  |
| D746,981 S *   | 1/2016  | Winsor     | ..... | D24/129               |
| D774,649 S *   | 12/2016 | Fox        | ..... | D24/138               |
| D841,593 S *   | 2/2019  | Zaurrini   | ..... | D13/139.6             |
| D855,826 S *   | 8/2019  | Buse       | ..... | D24/227               |
| D862,693 S *   | 10/2019 | Holop      | ..... | D24/129               |
| D867,121 S *   | 11/2019 | Zalme      | ..... | D8/394                |
| D869,615 S *   | 12/2019 | Trowbridge | ..... | D23/262               |

\* cited by examiner

*Primary Examiner* — Rhea Shields

(57) **CLAIM**

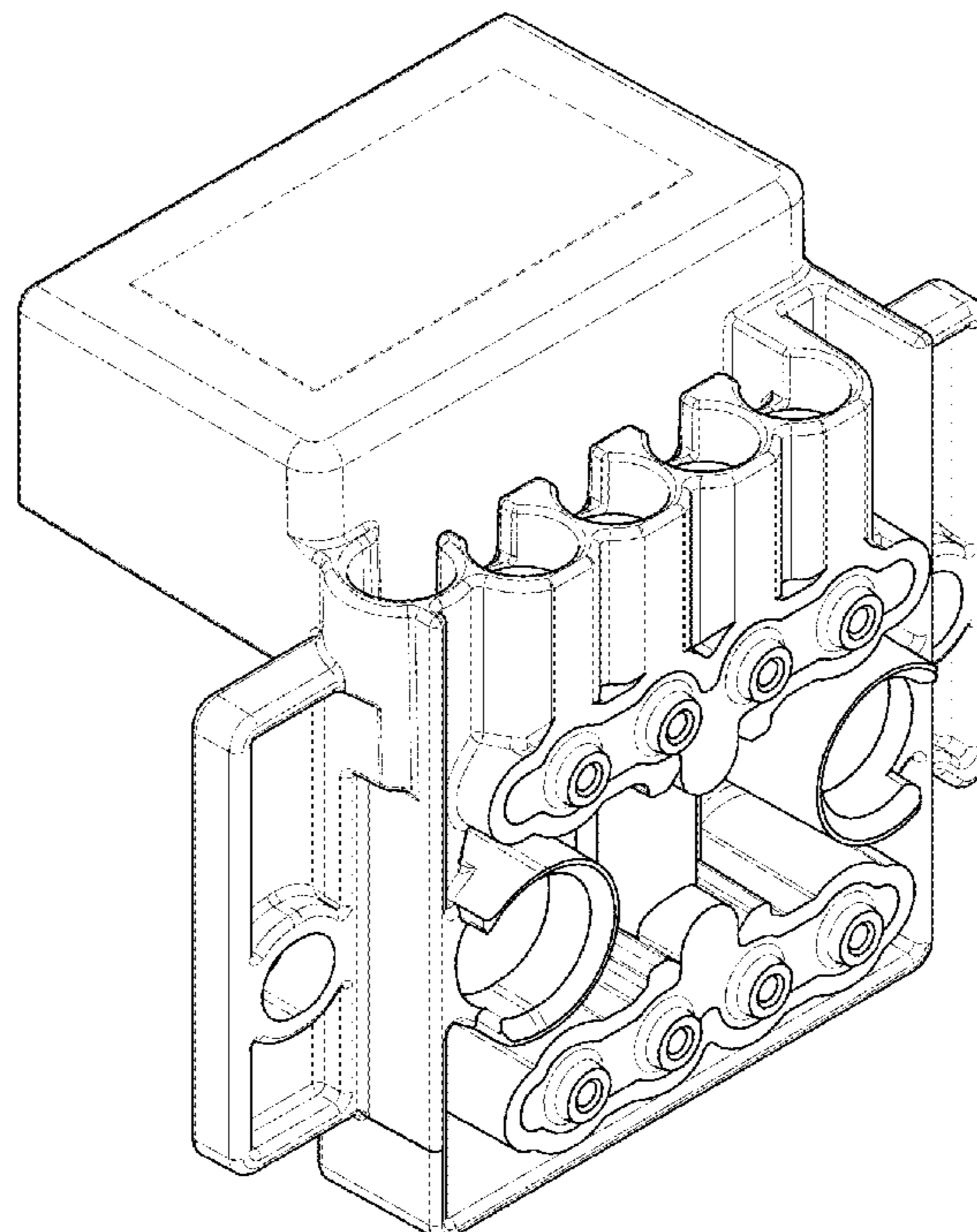
The ornamental design for a fluidic coupler, as shown and described.

**DESCRIPTION**

FIG. 1 is a front, top perspective view of a fluidic coupler, showing the new design;  
FIG. 2 is a back, bottom perspective view thereof;  
FIG. 3 is a front view thereof;  
FIG. 4 is a back view thereof;  
FIG. 5 is a side view thereof;  
FIG. 6 is another side view thereof;  
FIG. 7 is a top view thereof; and,  
FIG. 8 is a bottom view thereof.

In the drawings, the broken lines are for the the purpose of illustrating portions of the fluidic coupler that form no part of the claimed design.

**1 Claim, 7 Drawing Sheets**



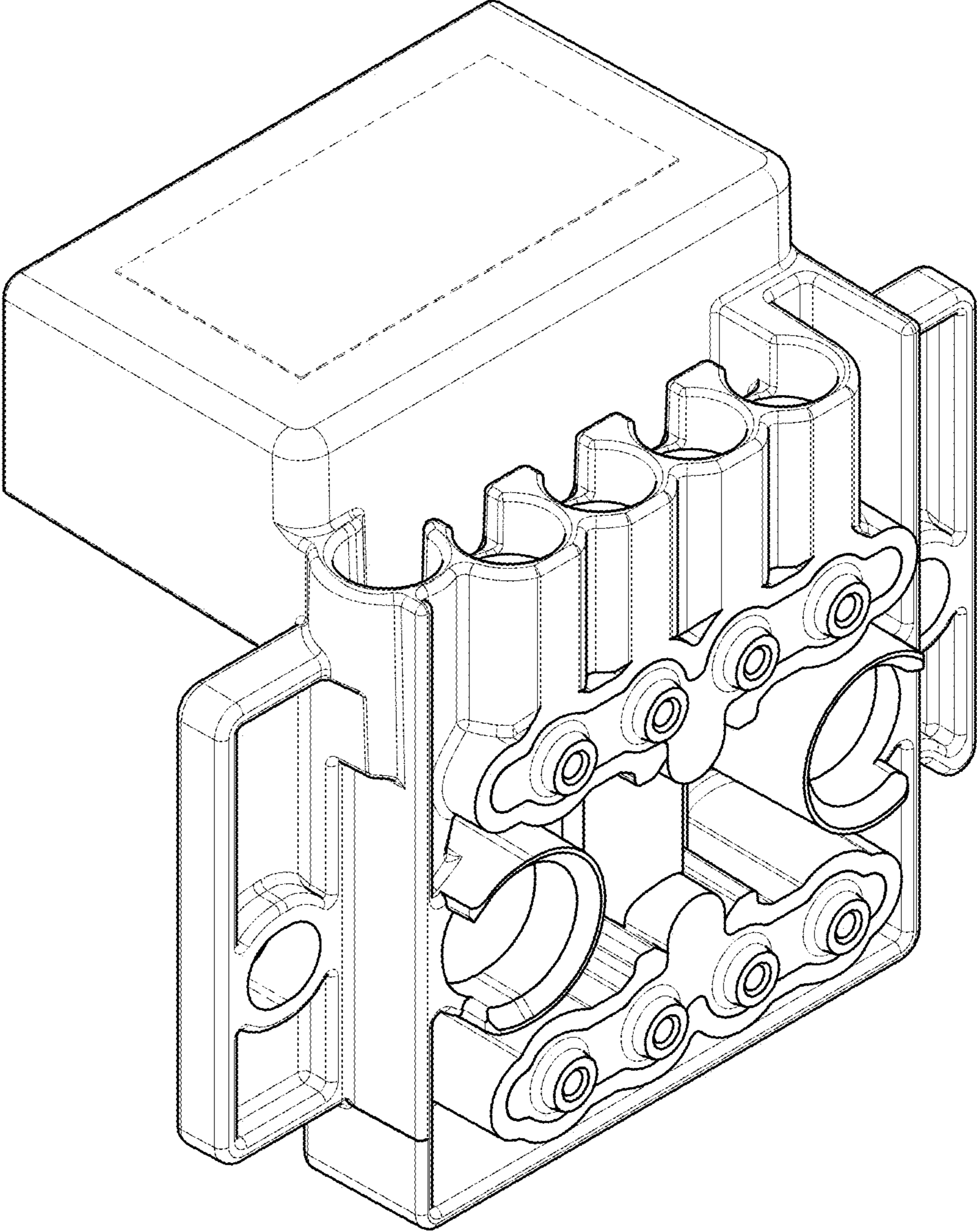


FIG. 1

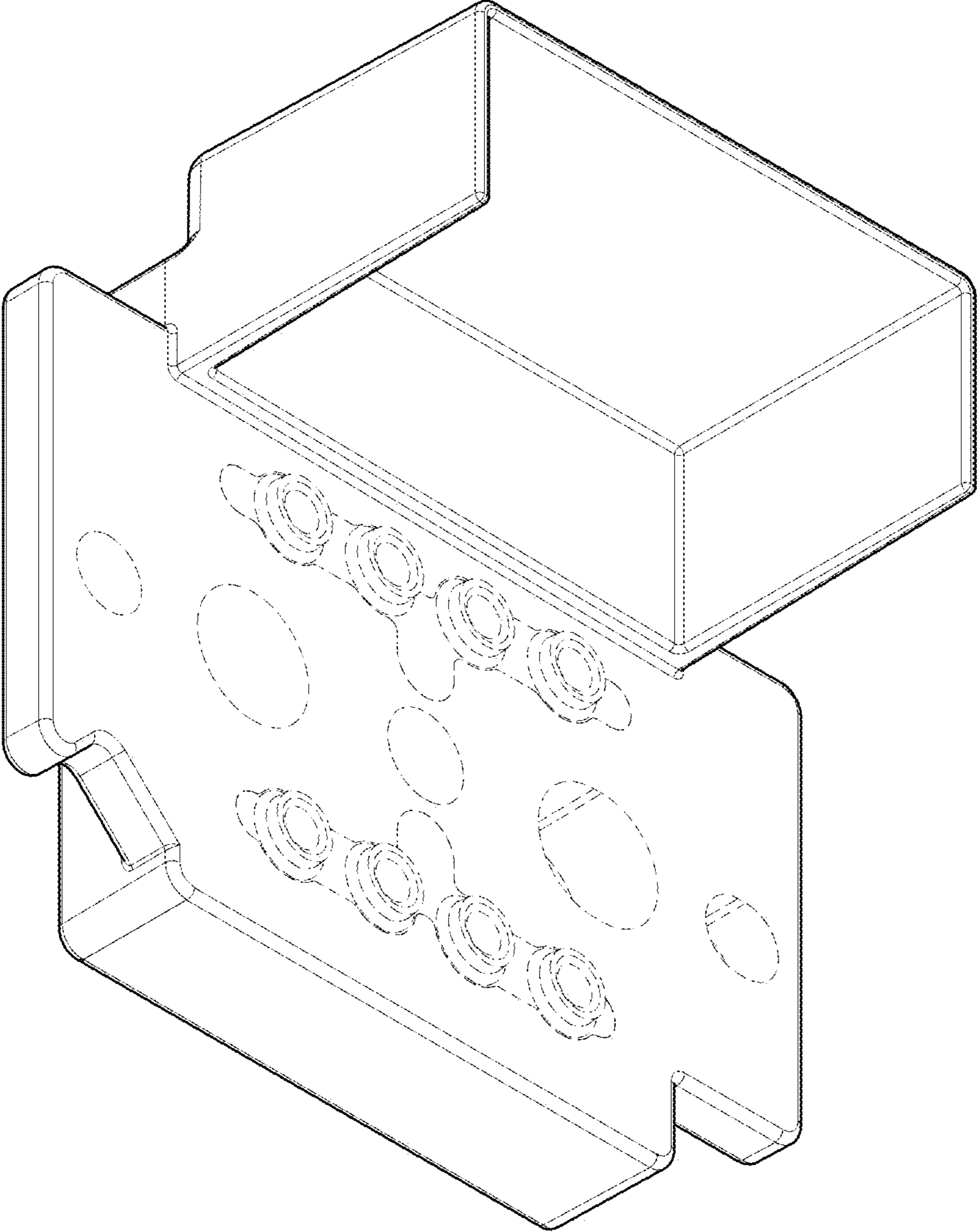


FIG. 2

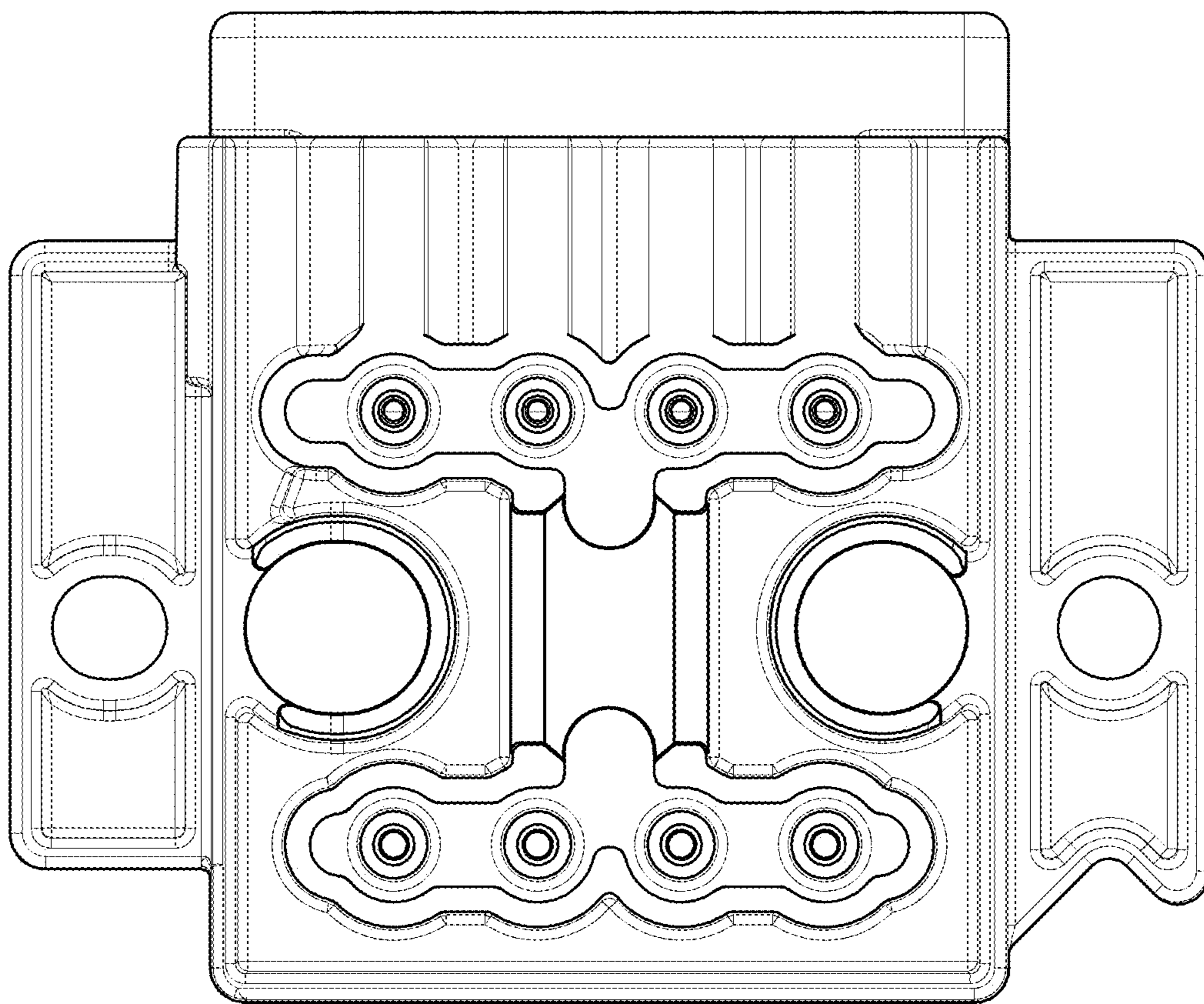


FIG. 3

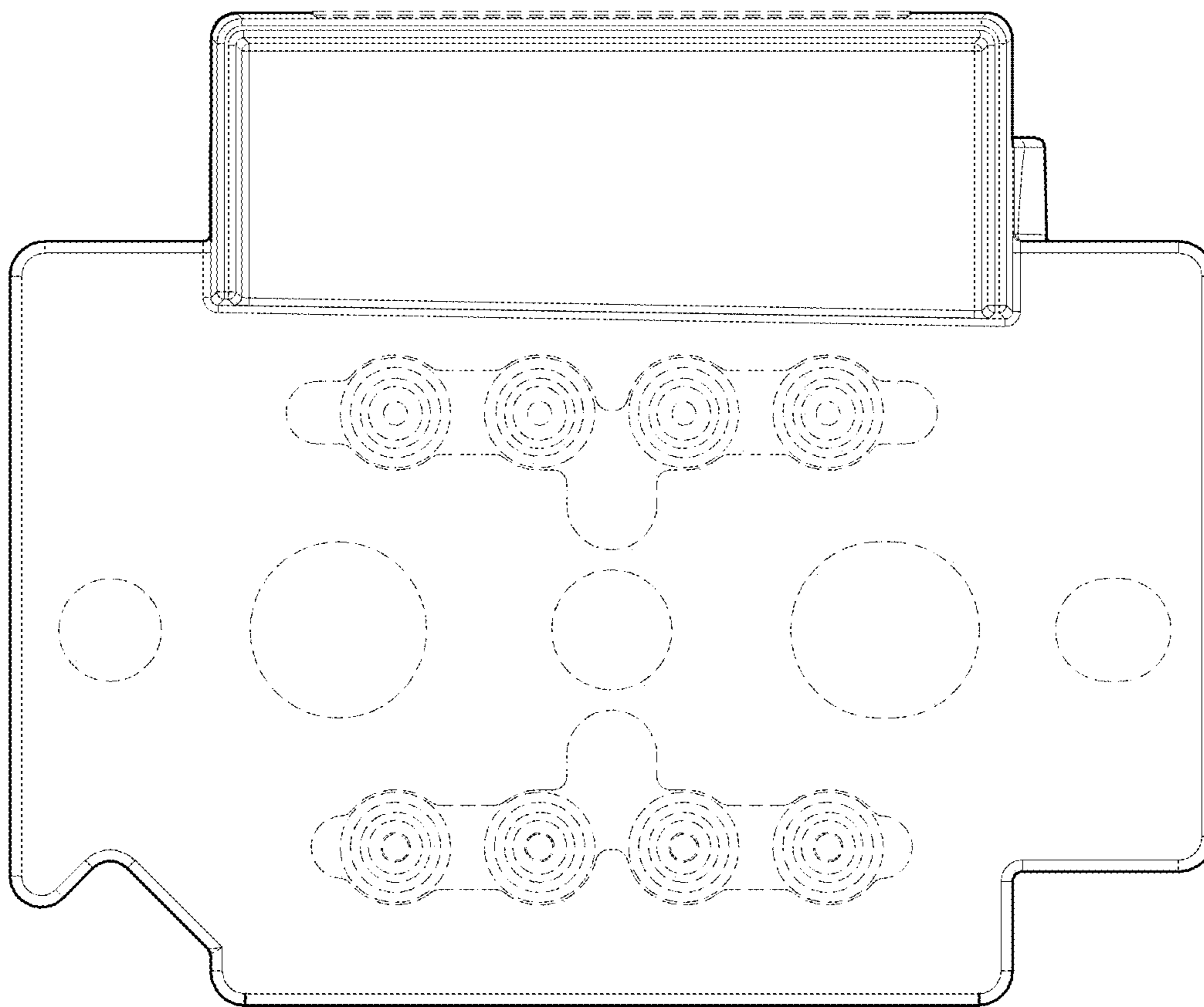


FIG. 4

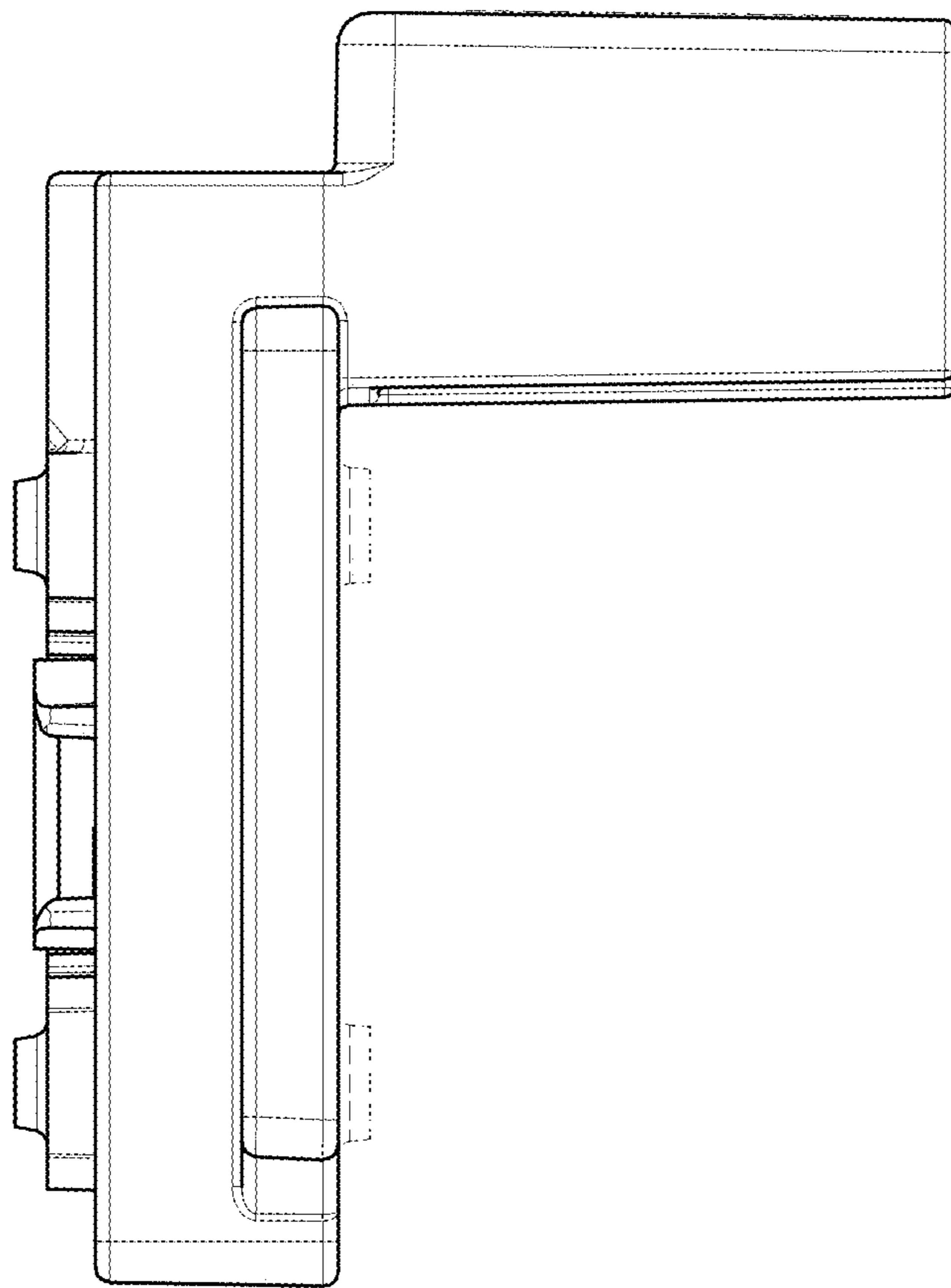


FIG. 5

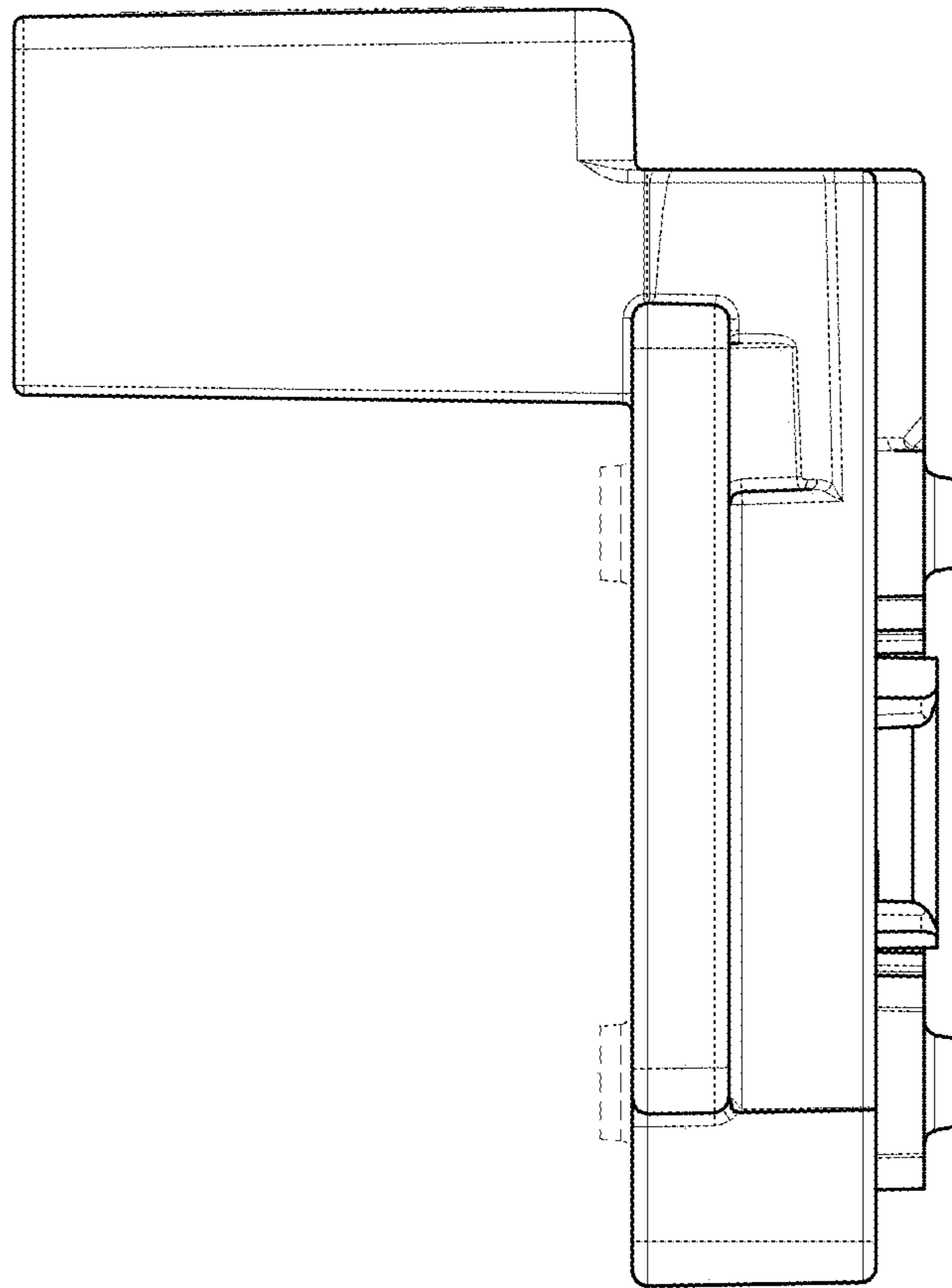


FIG. 6

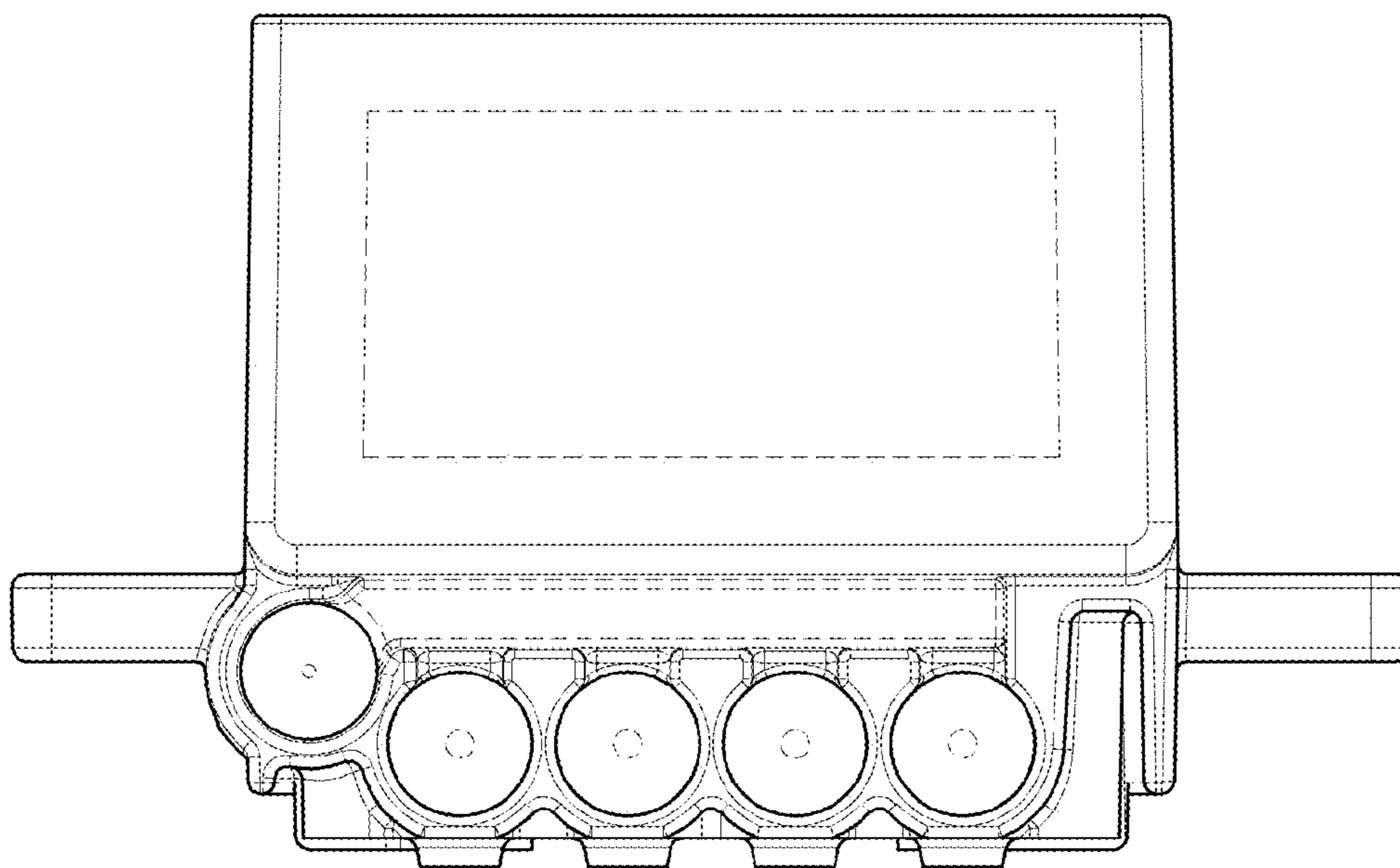


FIG. 7

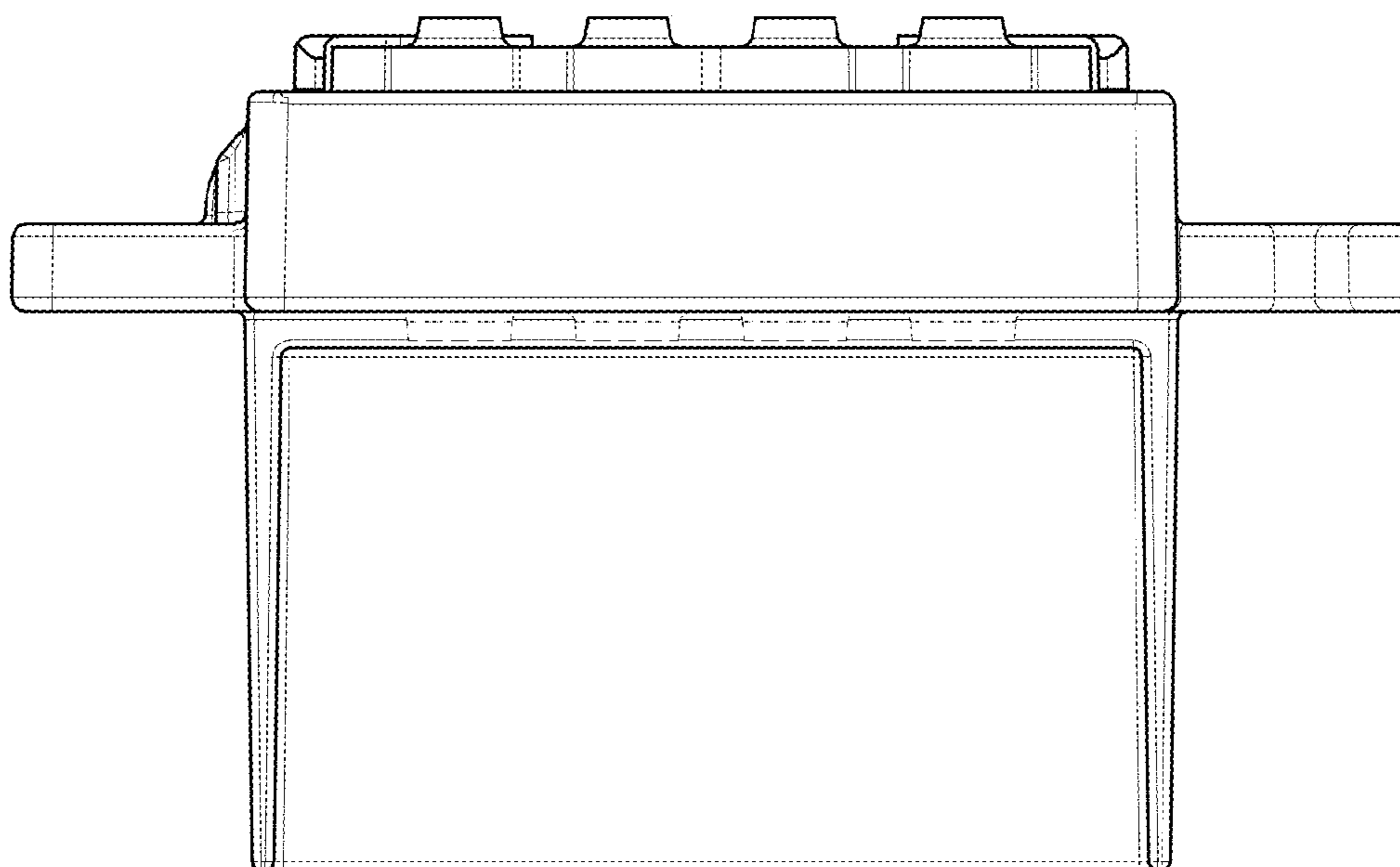


FIG. 8