



US00D914908S

(12) **United States Design Patent** (10) **Patent No.:** **US D914,908 S**  
**Neumann** (45) **Date of Patent:** **\*\* Mar. 30, 2021**

(54) **MEDICAL STORAGE CONTAINER**

A61M 2039/1033; A61M 2039/224;  
A61M 2205/0216; A61M 39/18; A61M  
39/20

(71) Applicant: **Peripal AG**, Zurich (CH)

See application file for complete search history.

(72) Inventor: **Sandra Neumann**, Zurich (CH)

(73) Assignee: **PERIPAL AG**, Zurich (CH)

(56) **References Cited**

(\*\*) Term: **15 Years**

U.S. PATENT DOCUMENTS

(21) Appl. No.: **35/507,113**

|              |    |   |         |            |       |                         |
|--------------|----|---|---------|------------|-------|-------------------------|
| D631,284     | S  | * | 1/2011  | Fuller     | ..... | D7/392.1                |
| D832,642     | S  | * | 11/2018 | Buck       | ..... | D7/392.1                |
| D833,212     | S  | * | 11/2018 | Buck       | ..... | D7/392.1                |
| D846,344     | S  | * | 4/2019  | Lullie     | ..... | D7/392.1                |
| D848,023     | S  | * | 5/2019  | Lafond     | ..... | D24/224                 |
| D856,148     | S  | * | 8/2019  | Lucas, Jr. | ..... | D9/523                  |
| D859,143     | S  | * | 9/2019  | Perdue     | ..... | D9/423                  |
| D867,611     | S  | * | 11/2019 | Schaff     | ..... | D24/224                 |
| D877,355     | S  | * | 3/2020  | Russo      | ..... | D24/224                 |
| D881,408     | S  | * | 4/2020  | Kuroda     | ..... | D24/224                 |
| D882,113     | S  | * | 4/2020  | Motadel    | ..... | D24/224                 |
| 2016/0114947 | A1 | * | 4/2016  | Buck       | ..... | B65D 21/0222<br>220/713 |
| 2018/0243547 | A1 | * | 8/2018  | Fox        | ..... | A61M 39/20              |

(22) Filed: **Dec. 21, 2018**

(80) **Hague Agreement Data**

Int. Filing Date: **Dec. 21, 2018**  
Int. Reg. No.: **DM/202001**  
Int. Reg. Date: **Dec. 21, 2018**  
Int. Reg. Pub. Date: **Jul. 26, 2019**

\* cited by examiner

(30) **Foreign Application Priority Data**

Jun. 27, 2018 (DE) ..... 40 2018 100 631.9

*Primary Examiner* — Samantha Q Lawrence

(51) **LOC (13) Cl.** ..... **24-02**

(74) *Attorney, Agent, or Firm* — JMB Davis Ben-David

(52) **U.S. Cl.**

USPC ..... **D24/224**

(57) **CLAIM**

(58) **Field of Classification Search**

USPC ..... D24/127, 130, 133, 146, 147, 224, 106,  
D24/108, 109, 112, 187, 196, 200, 210,  
D24/214, 113, 114, 115, 116, 117, 134,  
D24/136, 137; D9/500–505, 516, 519,  
D9/521–526, 529, 530, 535, 537–546,  
D9/549–575, 682–694, 723–729;  
D7/590, 900, 321, 589, 387, 392, 392.1,  
D7/392.2, 393, 396.2, 396.3, 396.4,  
D7/401.1, 507, 509–511, 538

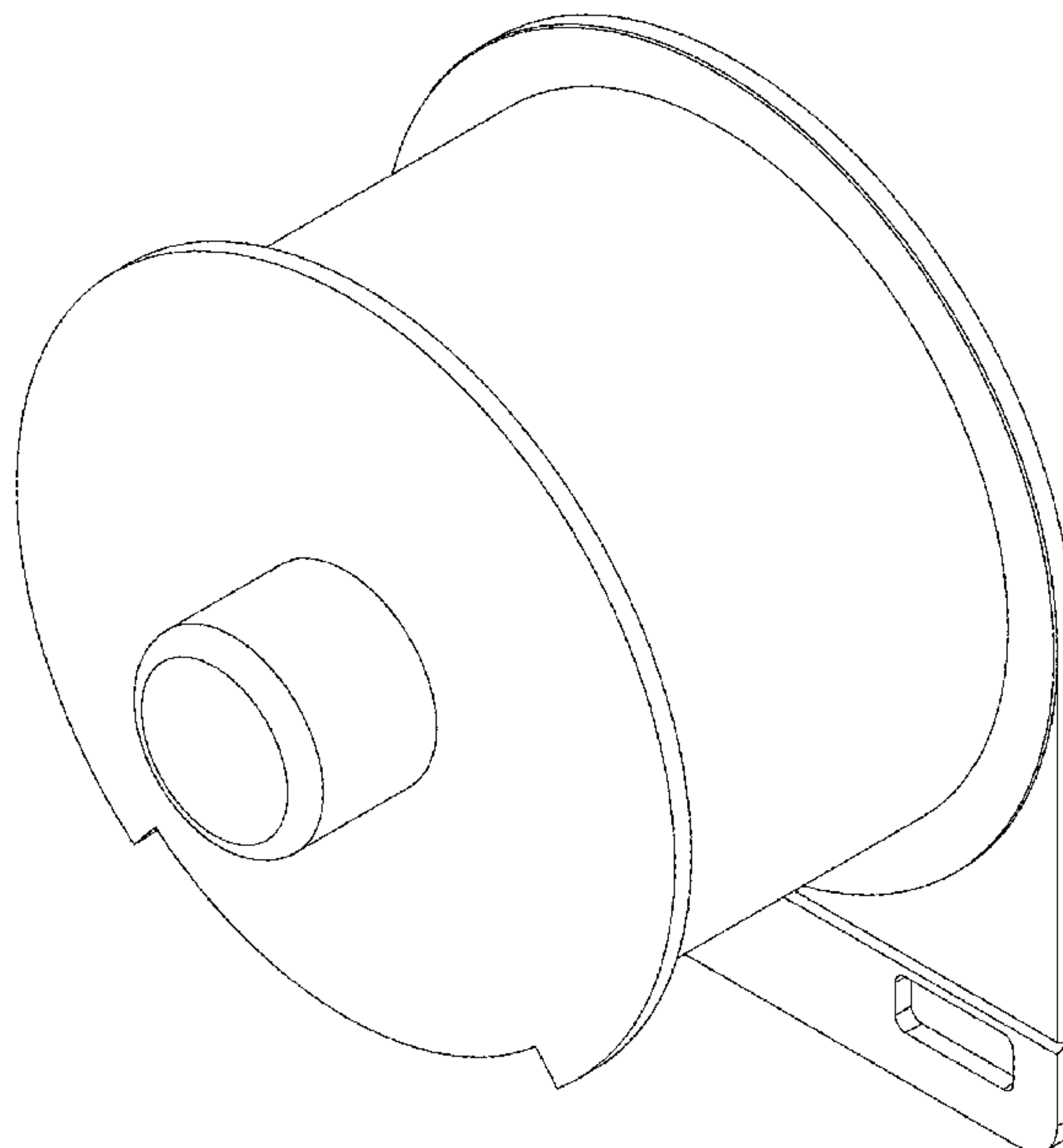
The ornamental design for a medical storage container, as shown and described.

CPC .... A61M 2039/087; A61M 2039/1066; A61M  
2039/1072; A61M 2039/1077; A61M  
39/1011; A61M 39/162; A61M 39/165;

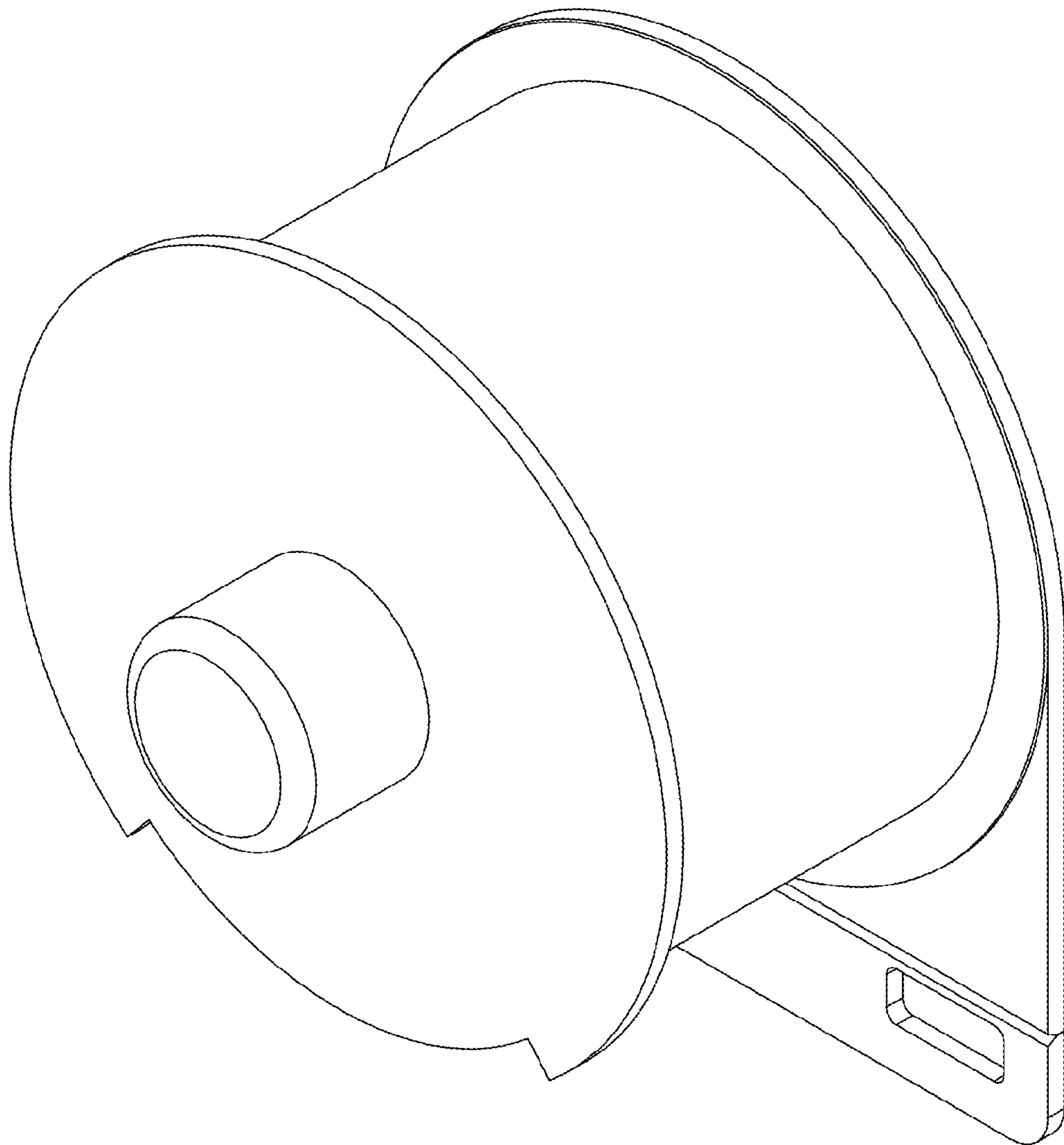
**DESCRIPTION**

FIG. 1.1 is a perspective view of a medical storage container;  
FIG. 1.2 is a side view thereof;  
FIG. 1.3 is a top view thereof; and  
FIG. 1.4 is a bottom perspective view thereof.

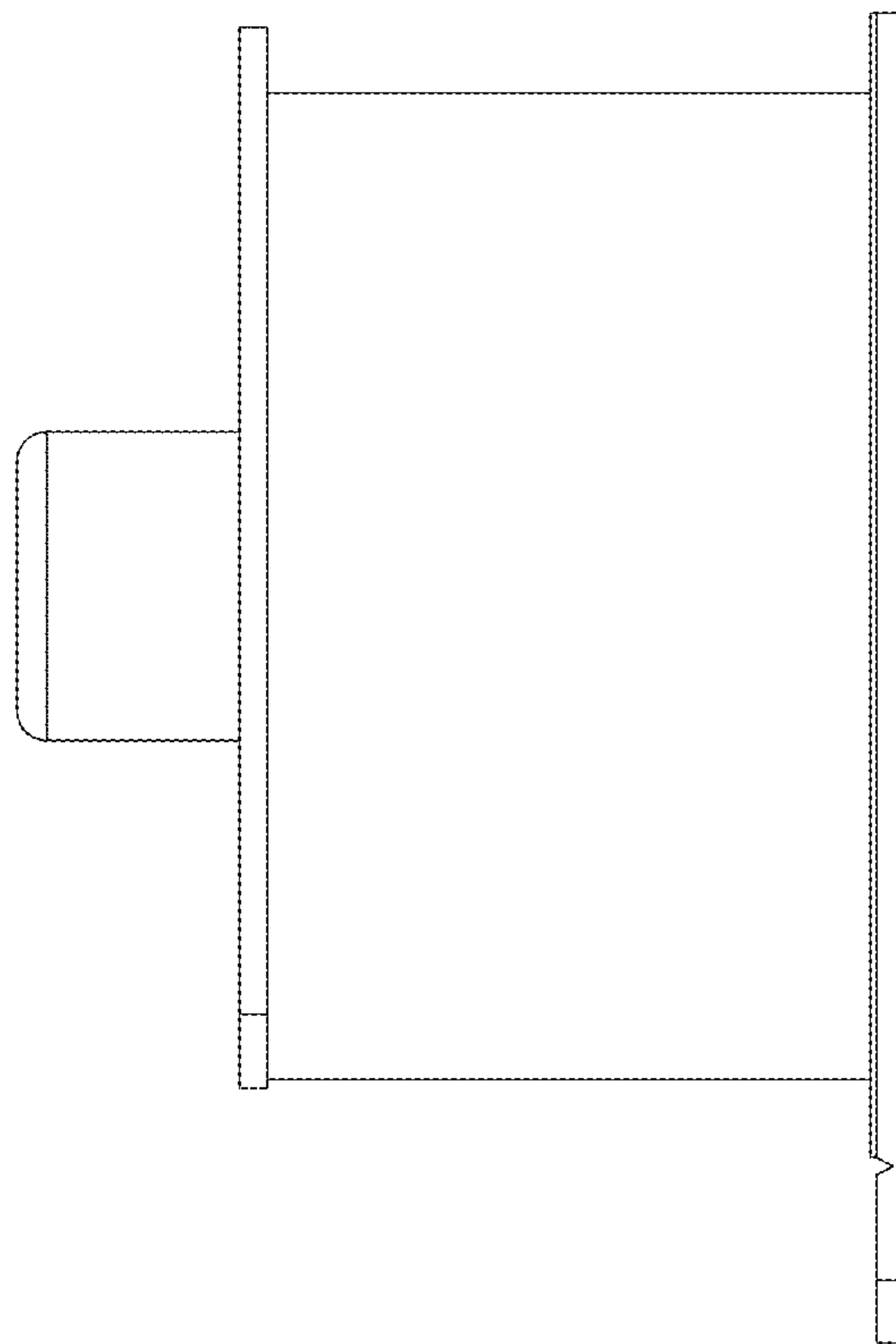
**1 Claim, 4 Drawing Sheets**



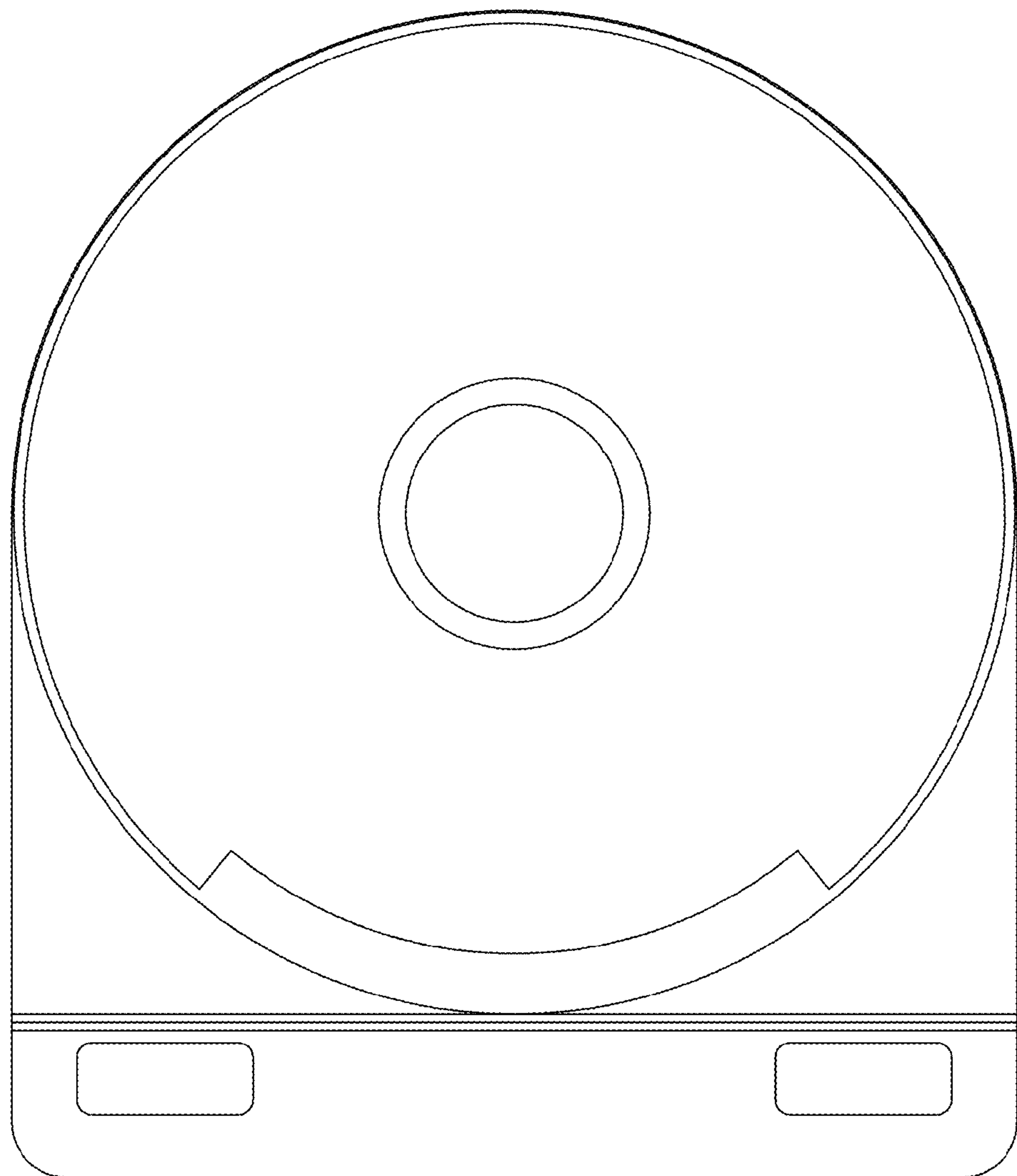
1.1



1.2



1.3



1.4

