



US00D914907S

(12) **United States Design Patent** (10) **Patent No.:** **US D914,907 S**  
**Wang** (45) **Date of Patent:** **\*\* Mar. 30, 2021**

- (54) **CAP FOR MICROTUBE**
- (71) Applicant: **ZINEXTS LIFE SCIENCE CORP.,**  
New Taipei (TW)
- (72) Inventor: **Chun-Chao Wang,** New Taipei (TW)
- (73) Assignee: **Zinexts Life Science Corp.,** New  
Taipei (TW)
- (\*\*) Term: **15 Years**
- (21) Appl. No.: **29/696,916**
- (22) Filed: **Jul. 2, 2019**
- (51) **LOC (13) Cl.** ..... **24-02**
- (52) **U.S. Cl.**  
USPC ..... **D24/224**
- (58) **Field of Classification Search**  
USPC ..... D24/108, 121, 216, 222, 224, 226, 227,  
D24/229, 230; D9/434, 435, 436, 439,  
D9/440, 443, 444, 445, 447  
CPC ..... F16L 59/14; F16L 17/10; B01L 3/50825  
See application file for complete search history.

- D827,150 S \* 8/2018 Nakagawa ..... D24/224
- D827,153 S \* 8/2018 Bantug ..... D24/227
- D886,994 S \* 6/2020 Lundkvist ..... D24/129
- D886,995 S \* 6/2020 Lundkvist ..... D24/129
- 2014/0271408 A1\* 9/2014 Taunk ..... B01L 3/50825  
422/550

**OTHER PUBLICATIONS**

Cap Only, Screw Top Micro Tube Cap, O-Ring, Translucent, Green, Non-sterile. Online, published date unknown. Retrieved on Aug. 3, 2020 from URL: [https://qualitybiological.com/product/cap\\_only\\_screw\\_top\\_micro\\_tube\\_cap\\_o-ring\\_translucent\\_green-non-sterile/](https://qualitybiological.com/product/cap_only_screw_top_micro_tube_cap_o-ring_translucent_green-non-sterile/).\*

\* cited by examiner

*Primary Examiner* — Susan Bennett Hattan  
*Assistant Examiner* — Omeed Agilee  
(74) *Attorney, Agent, or Firm* — Muncy, Geissler, Olds & Lowe, P.C.

(57) **CLAIM**

The ornamental design for a cap for microtube, as shown and described.

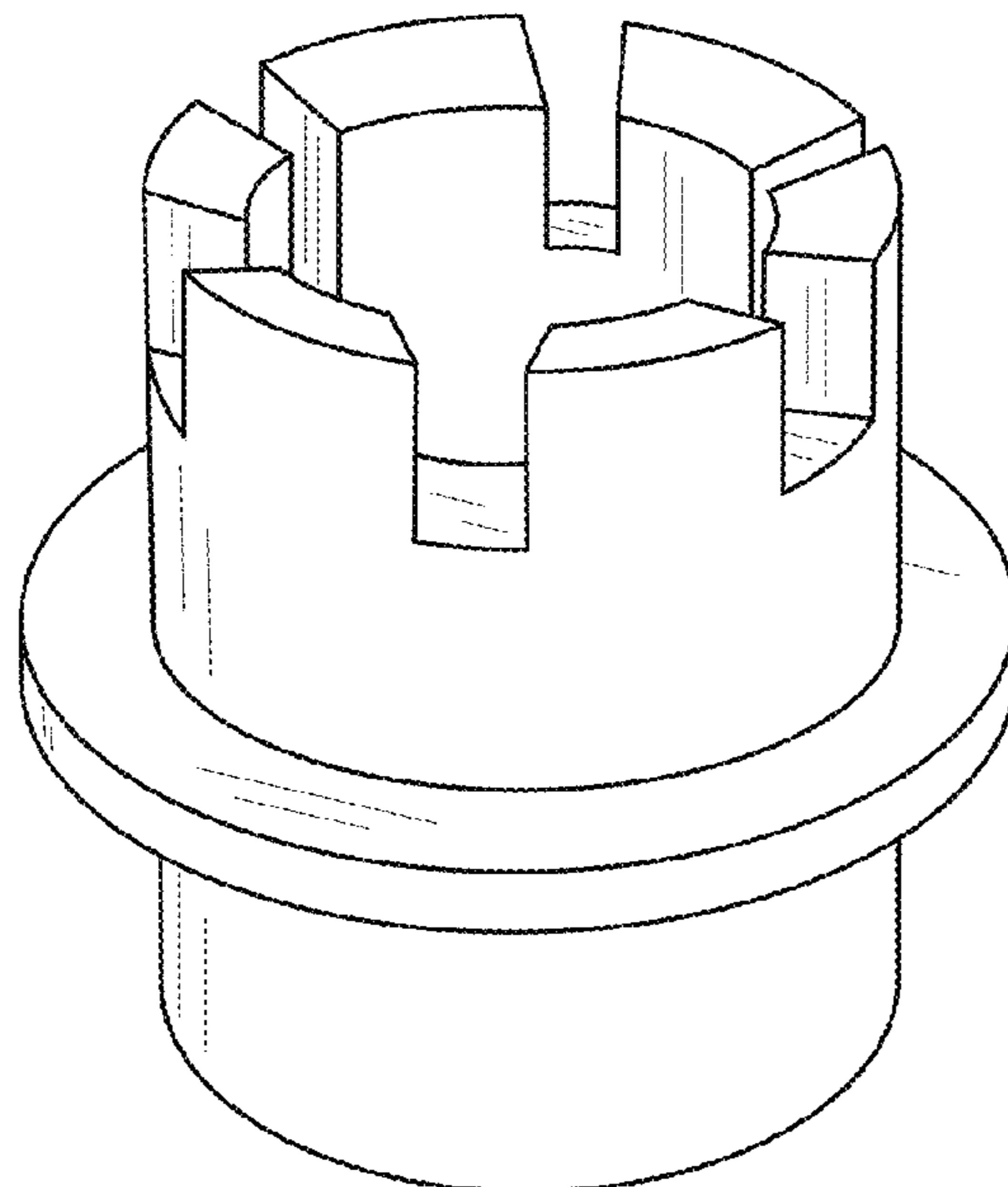
**DESCRIPTION**

FIG. 1 is a top perspective view of a cap for microtube in accordance with the present design;  
FIG. 2 is a top plan view thereof;  
FIG. 3 is a front side elevation view thereof;  
FIG. 4 is a rear side elevation view thereof;  
FIG. 5 is a left side elevation view thereof;  
FIG. 6 is a right side elevation view thereof; and,  
FIG. 7 is a bottom plan view thereof.  
The dot dash dot broken line in FIG. 2 depicts the boundary of the claim and form no part thereof.  
The dash lines depict portions of the cap for microtube that form no part of the claimed design.

**1 Claim, 7 Drawing Sheets**

(56) **References Cited**  
U.S. PATENT DOCUMENTS

- D293,819 S \* 1/1988 Alvi ..... D24/224
- D328,252 S \* 7/1992 Miyake ..... D24/224
- 5,909,902 A \* 6/1999 Seabra ..... F16L 37/0925  
285/322
- D424,440 S \* 5/2000 Wilkinson ..... D24/224
- D485,285 S \* 1/2004 Kramer ..... D15/143
- D637,311 S \* 5/2011 Isobe ..... D24/227
- D649,241 S \* 11/2011 Kunishige ..... D24/129
- D651,709 S \* 1/2012 Zeyfang ..... D24/127
- D655,411 S \* 3/2012 Schroeder ..... D24/129
- D732,685 S \* 6/2015 Lavi ..... D24/227
- D781,437 S \* 3/2017 Valley ..... D24/227
- D788,315 S \* 5/2017 Matsuura ..... D24/224



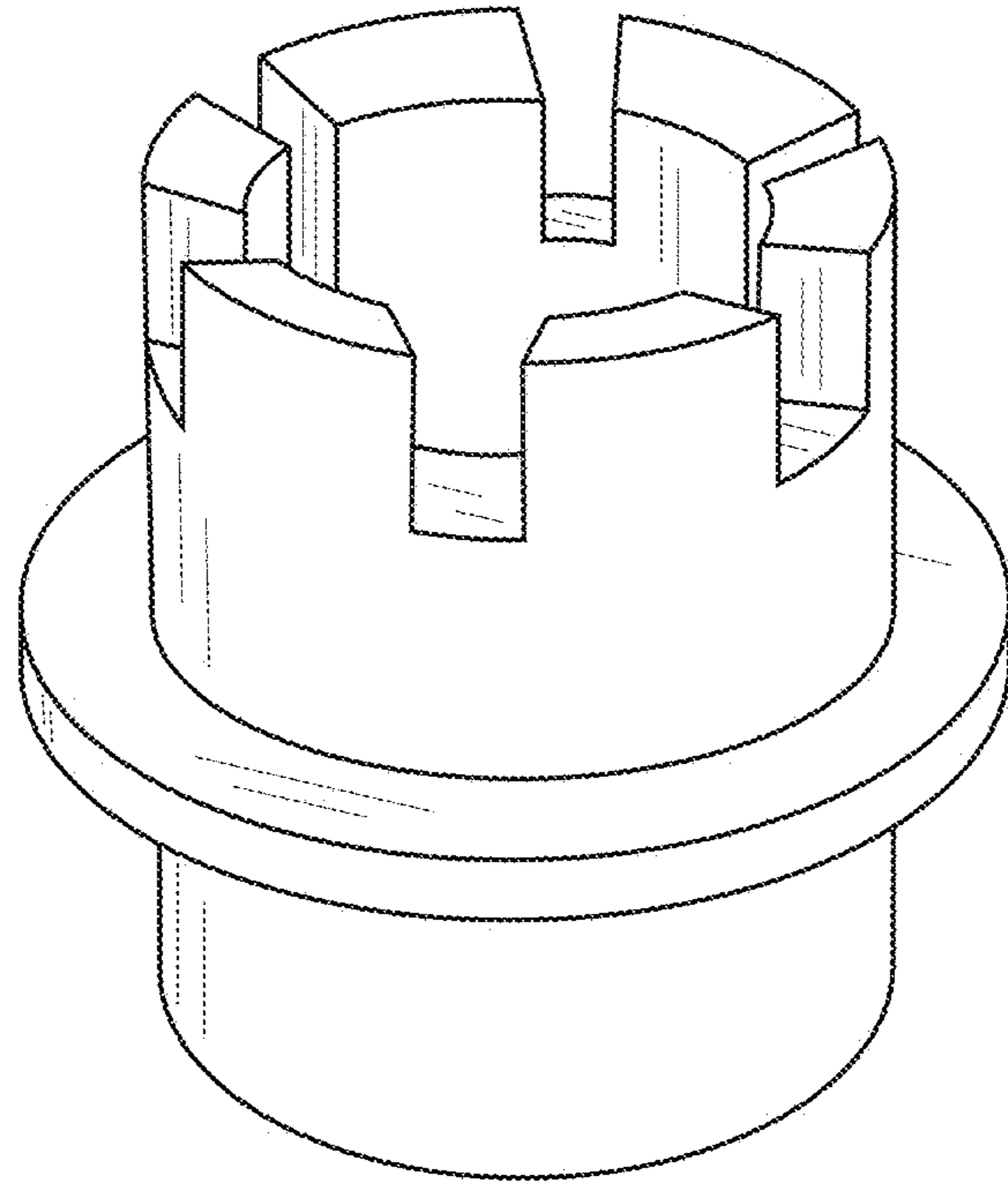


FIG.1

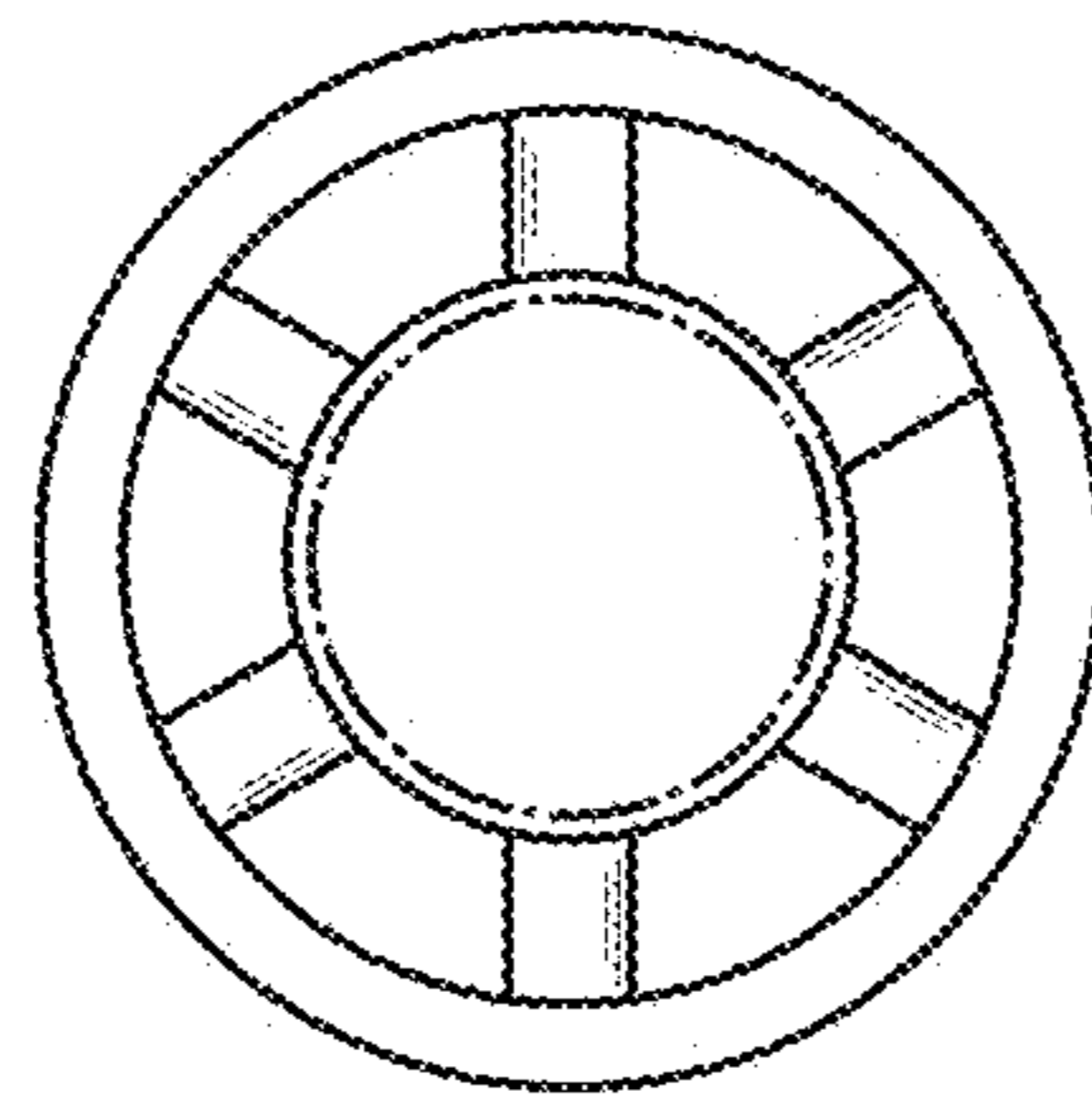


FIG.2

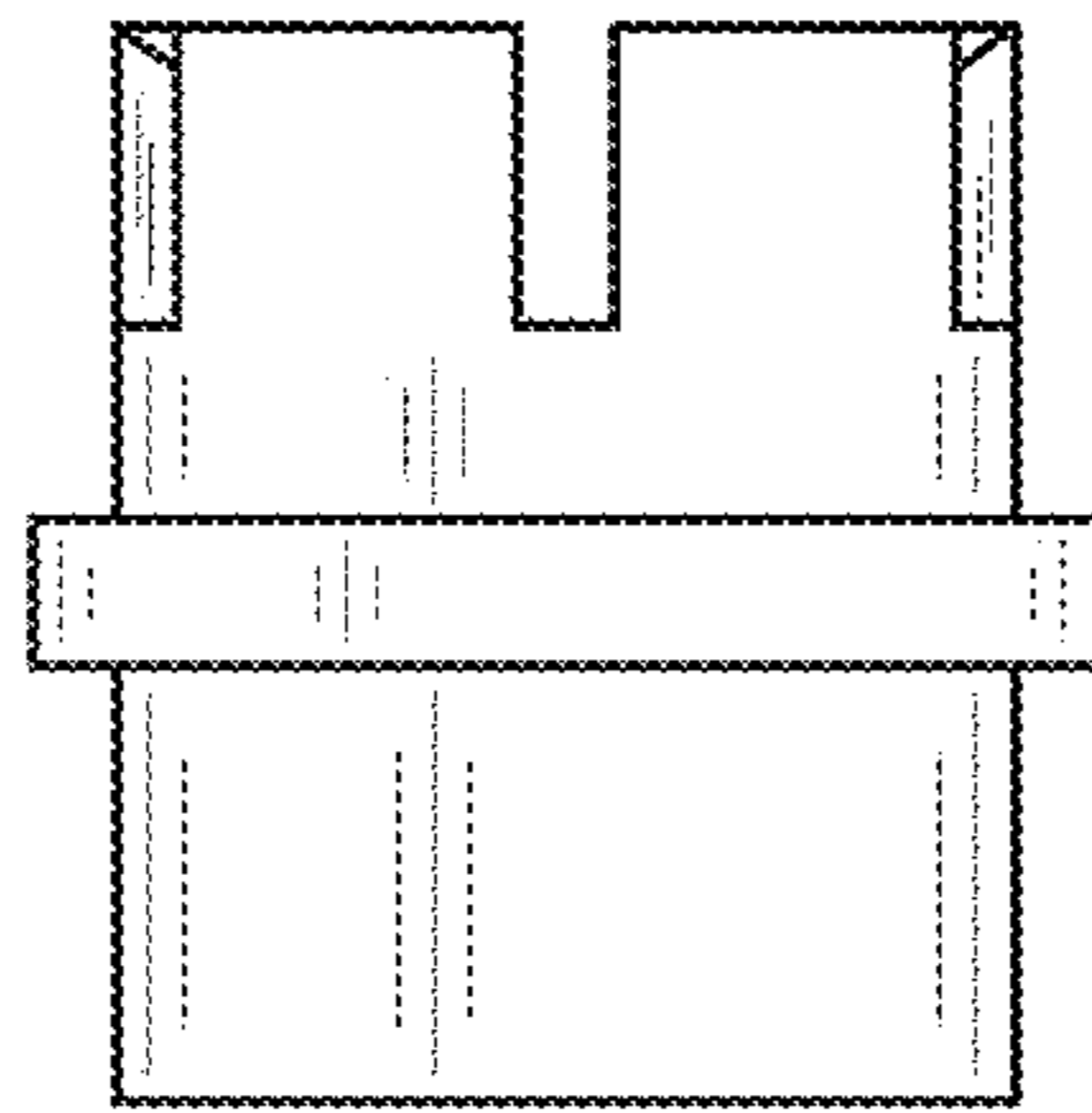


FIG.3

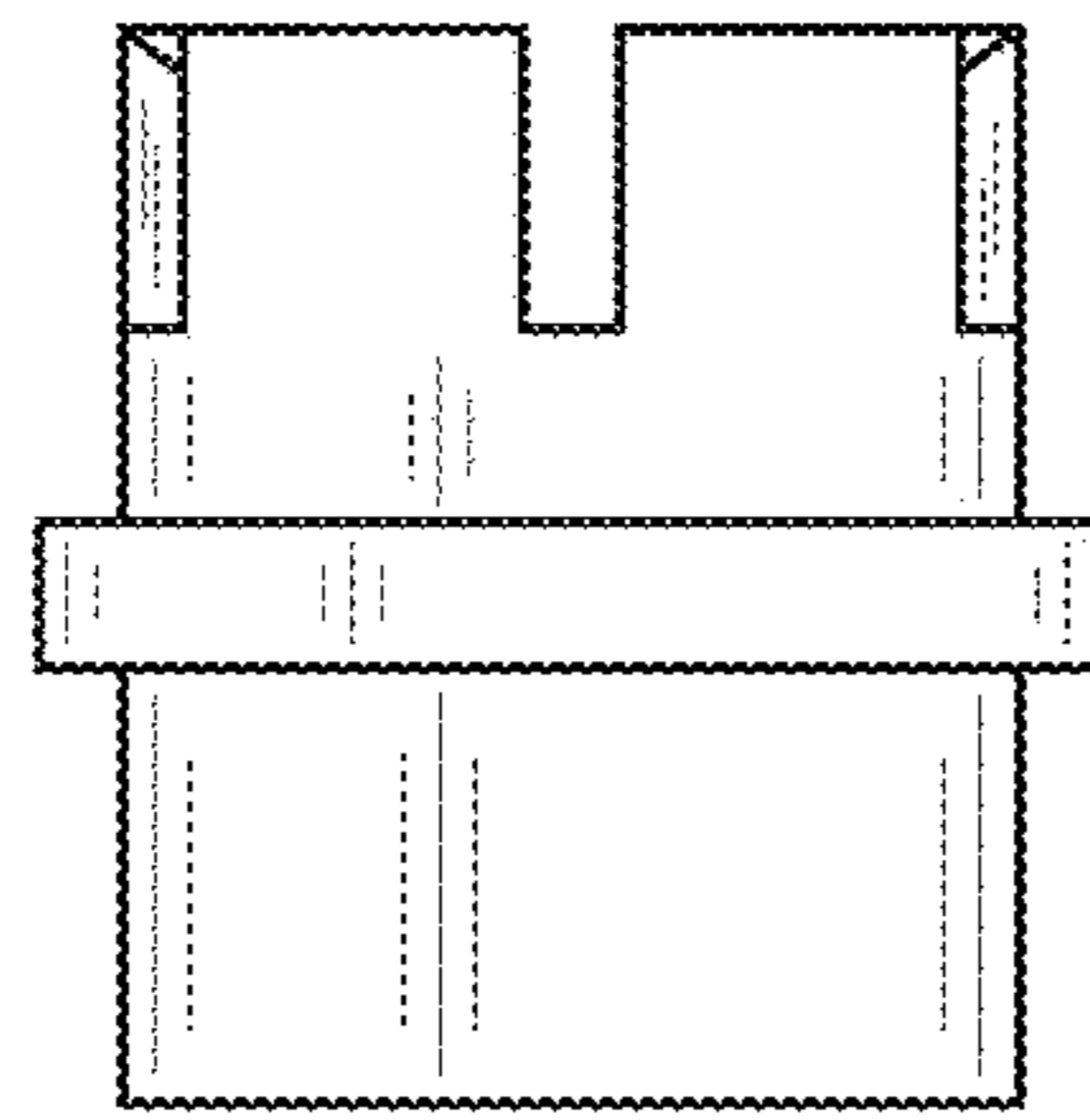


FIG.4

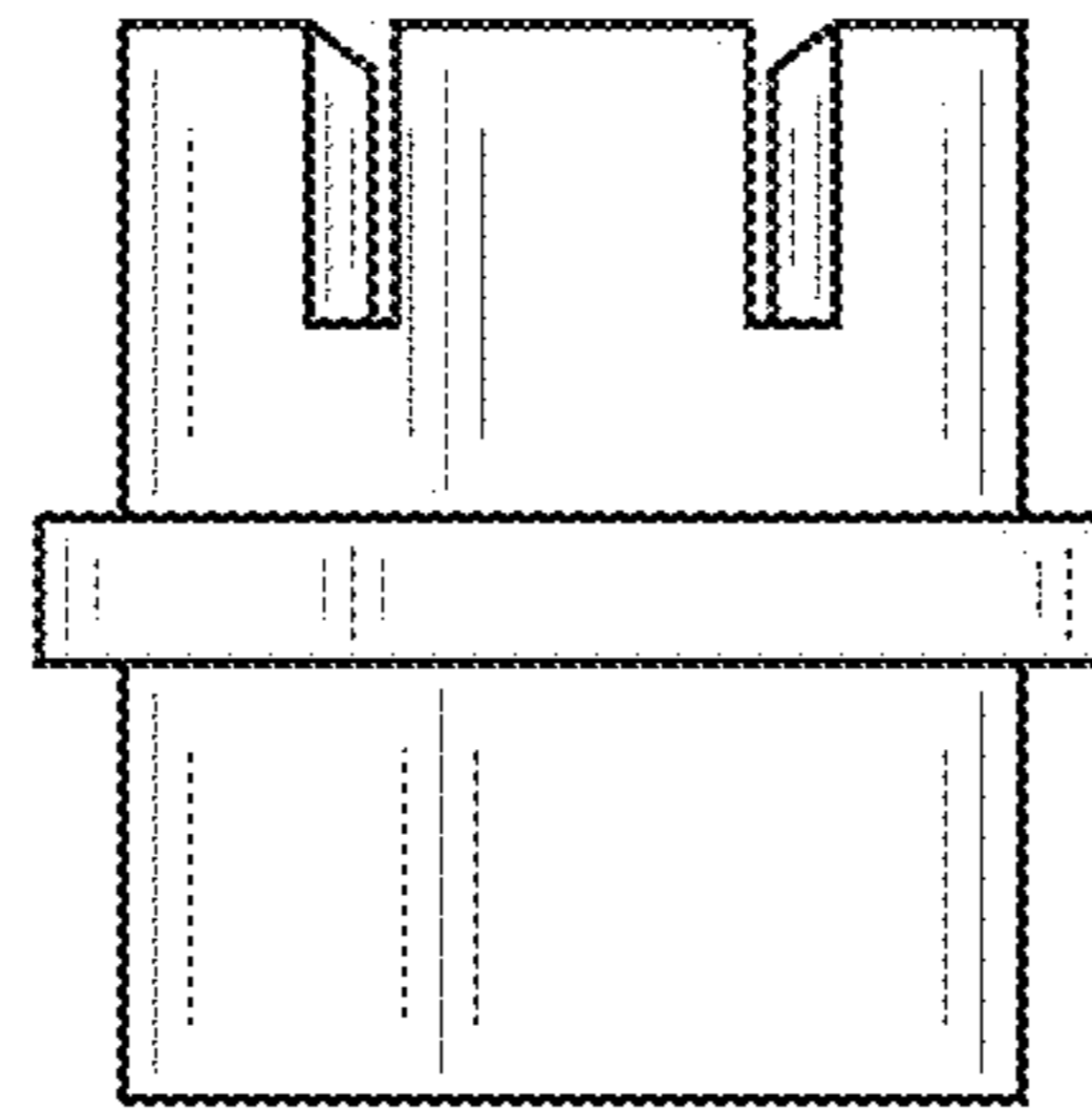


FIG.5

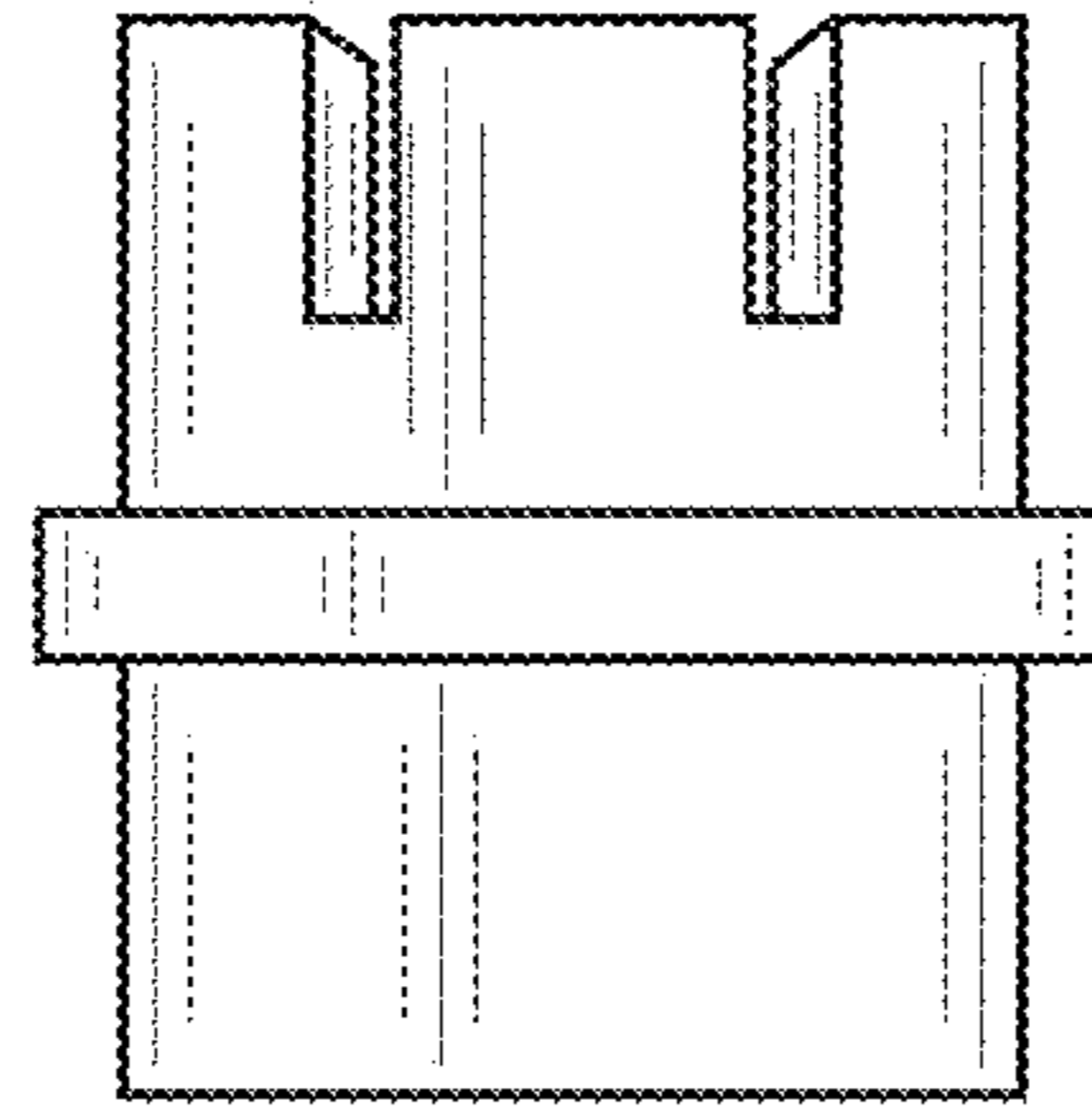


FIG.6

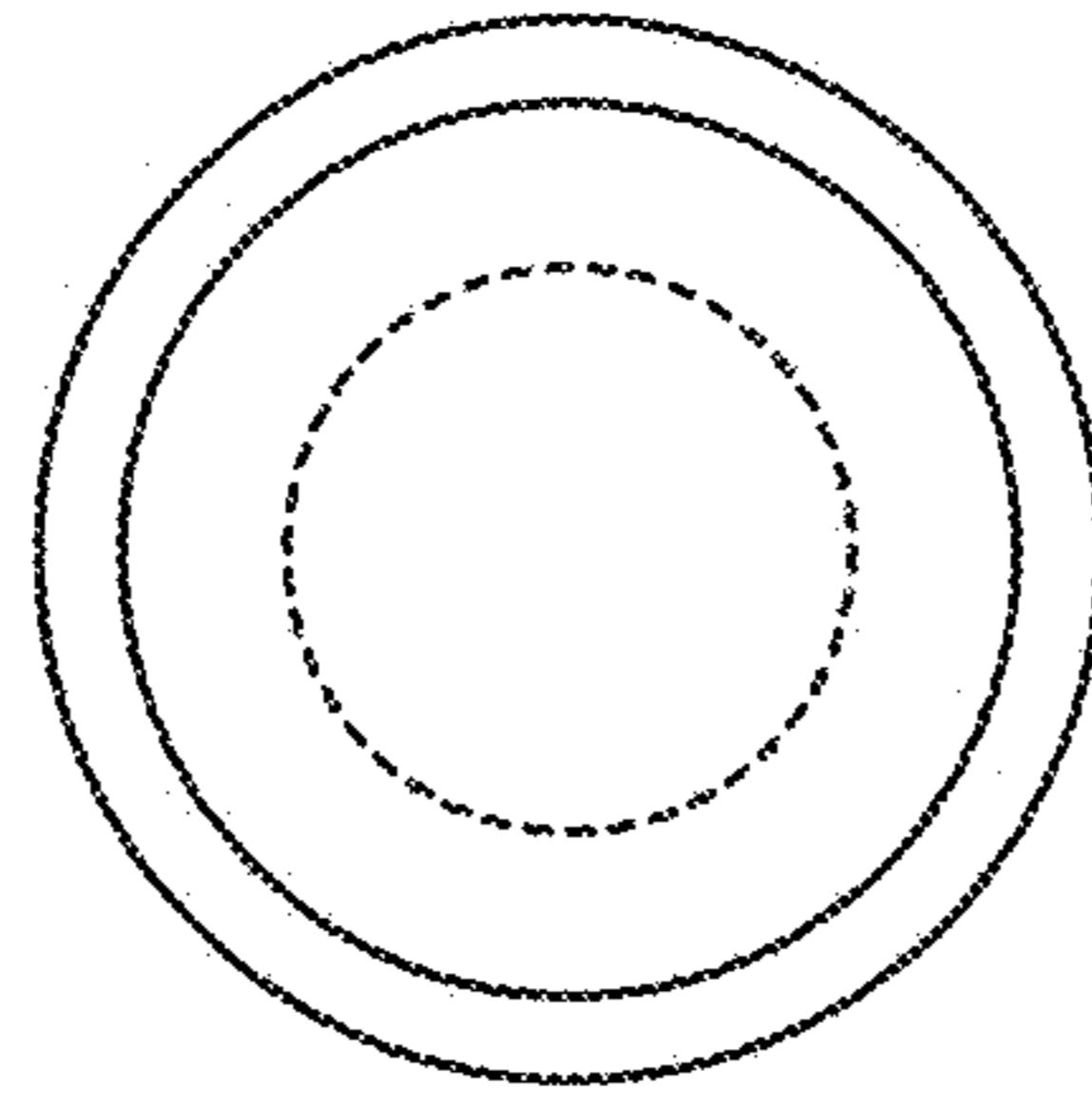


FIG.7